

US00D860067S

(12) **United States Design Patent**  
**Mascull**

(10) **Patent No.:** **US D860,067 S**

(45) **Date of Patent:** **\*\* Sep. 17, 2019**

- (54) **SET OF CONTOURING UNITS**
- (71) Applicant: **ROGER THOMAS MASCULL AND ELIZABETH JOCELYN MASCULL AS TRUSTEES OF THE RT AND EJ FAMILY TRUST**, Allenton, Ashburton (NZ)
- (72) Inventor: **Roger Thomas Mascull**, Ashburton (NZ)
- (73) Assignees: **Roger Thomas Mascull**, Rolleston (NZ), as Trustees of the RT and EJ Family Trust; **Elizabeth Jocelyn Mascull**, Rolleston (NZ), as Trustees of the RT and EJ Family Trust

- D435,305 S \* 12/2000 Pullen ..... D25/164
- 7,120,956 B1 \* 10/2006 Liao ..... A47C 23/002  
5/719
- 7,740,015 B2 \* 6/2010 Hyde ..... A61F 5/05  
128/845
- 7,865,989 B2 \* 1/2011 Steppat ..... A47C 27/144  
5/719
- 8,099,812 B2 \* 1/2012 Steppat ..... A47C 27/144  
5/655.9
- 8,307,481 B2 \* 11/2012 Katan ..... A61G 7/0573  
5/709
- 8,584,286 B2 \* 11/2013 Call ..... A47C 7/021  
5/654
- D724,863 S \* 3/2015 Secker ..... D6/601
- 2009/0265857 A1 \* 10/2009 Habegger ..... A61G 7/05715  
5/709
- 2012/0131752 A1 5/2012 Mason

\* cited by examiner

(\*\*) Term: **15 Years**

*Primary Examiner* — Charles D Hanson

(21) Appl. No.: **29/559,630**

(74) *Attorney, Agent, or Firm* — Merchant & Gould P.C.

(22) Filed: **Mar. 30, 2016**

(57) **CLAIM**

(51) **LOC (12) Cl.** ..... **12-12**

The ornamental design for set of contouring units, as shown and described.

(52) **U.S. Cl.**  
USPC ..... **D12/133**

**DESCRIPTION**

(58) **Field of Classification Search**  
USPC ..... D12/128–133  
CPC .... A61G 5/00–14; A61G 15/00; A47C 27/10;  
A47C 27/15; A47C 27/20  
See application file for complete search history.

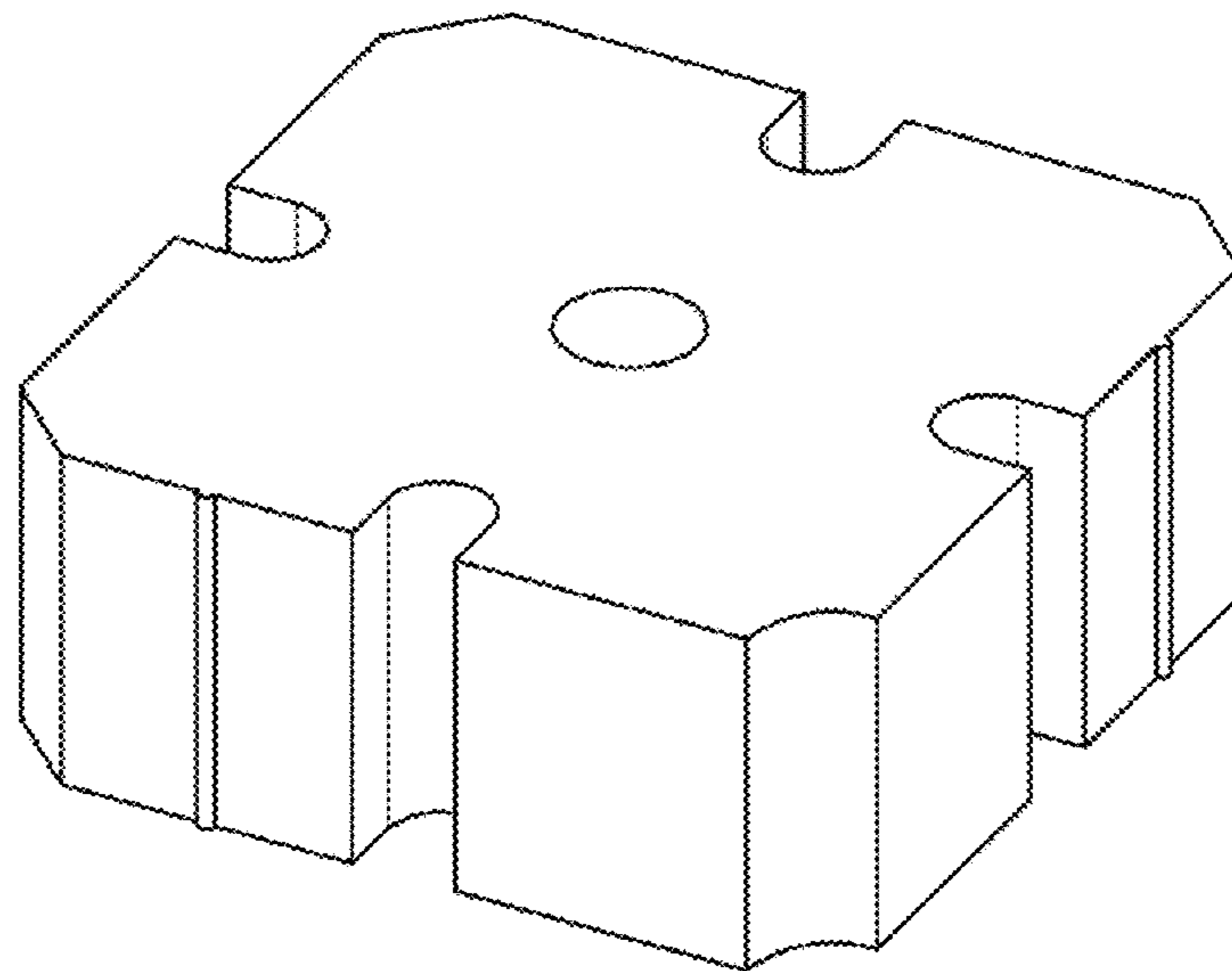
FIG. 1 is a front perspective view of a first embodiment of my design;  
FIG. 2 is a top plan view of FIG. 1;  
FIG. 3 is a horizontal side view of FIG. 1;  
FIG. 4 is a vertical side of FIG. 1;  
FIG. 5 is a front perspective view of a second embodiment of my design;  
FIG. 6 is a top plan view of FIG. 5;  
FIG. 7 is a horizontal side view of FIG. 5; and,  
FIG. 8 is a vertical side of FIG. 5.

(56) **References Cited**

U.S. PATENT DOCUMENTS

- 3,720,966 A \* 3/1973 Zysman ..... A47C 7/20  
297/DIG. 2
- 4,484,778 A 11/1984 Cousins et al.
- 5,101,811 A 4/1992 Brunswick

**1 Claim, 4 Drawing Sheets**



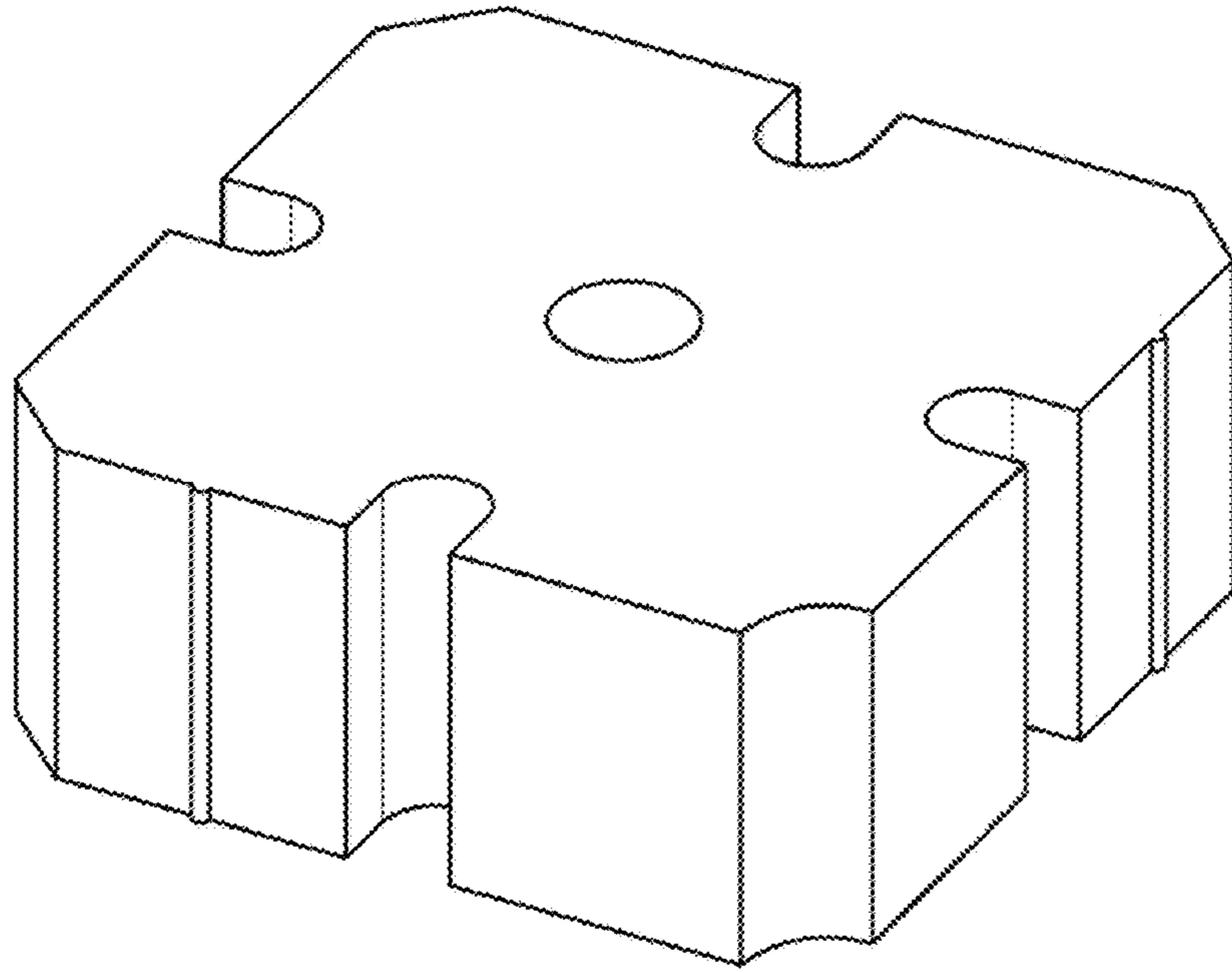


FIGURE 1

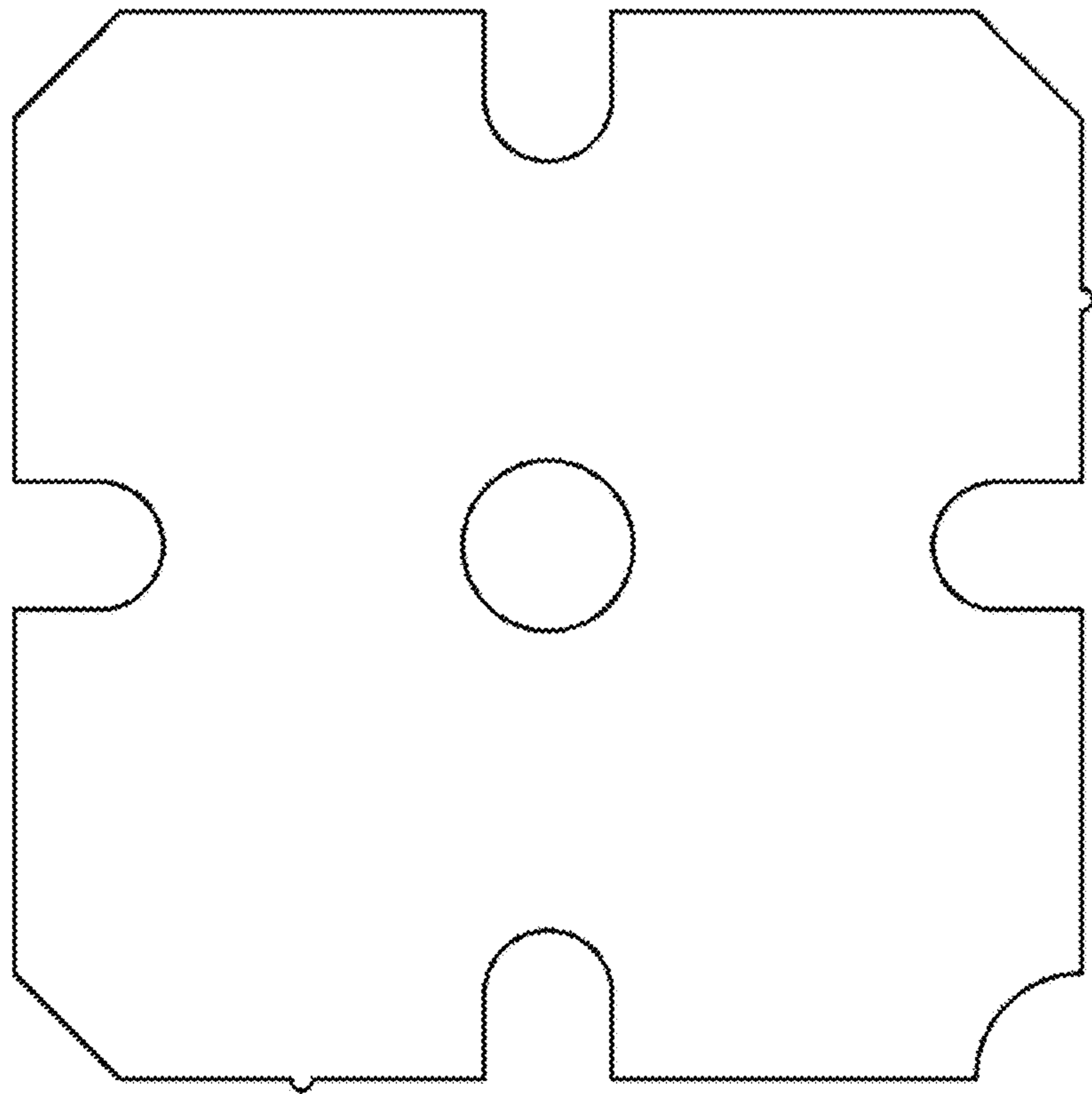


FIGURE 2

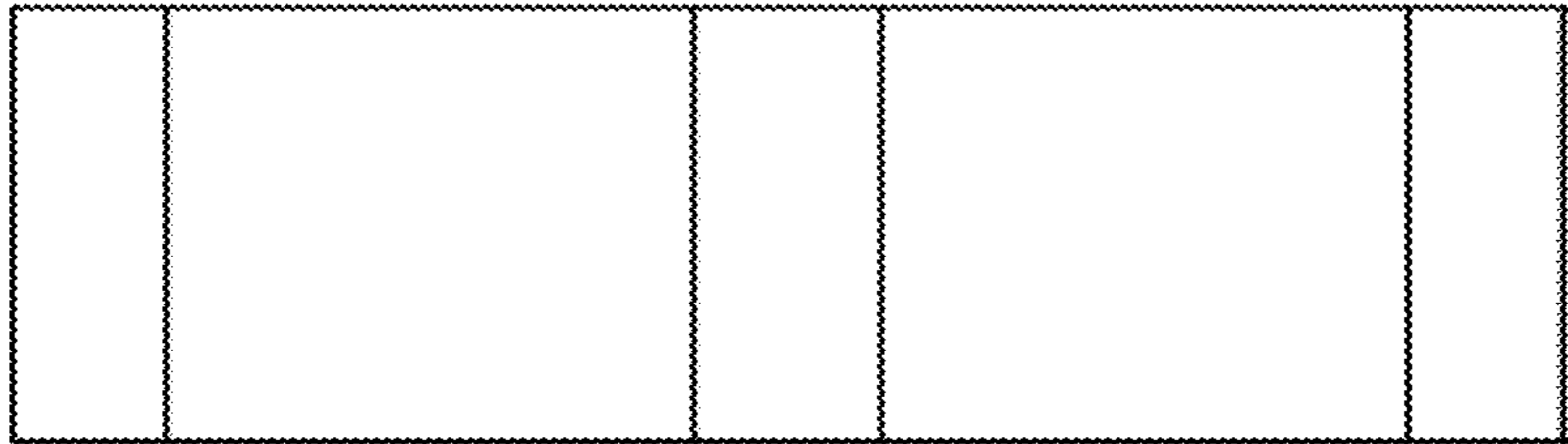


FIGURE 3

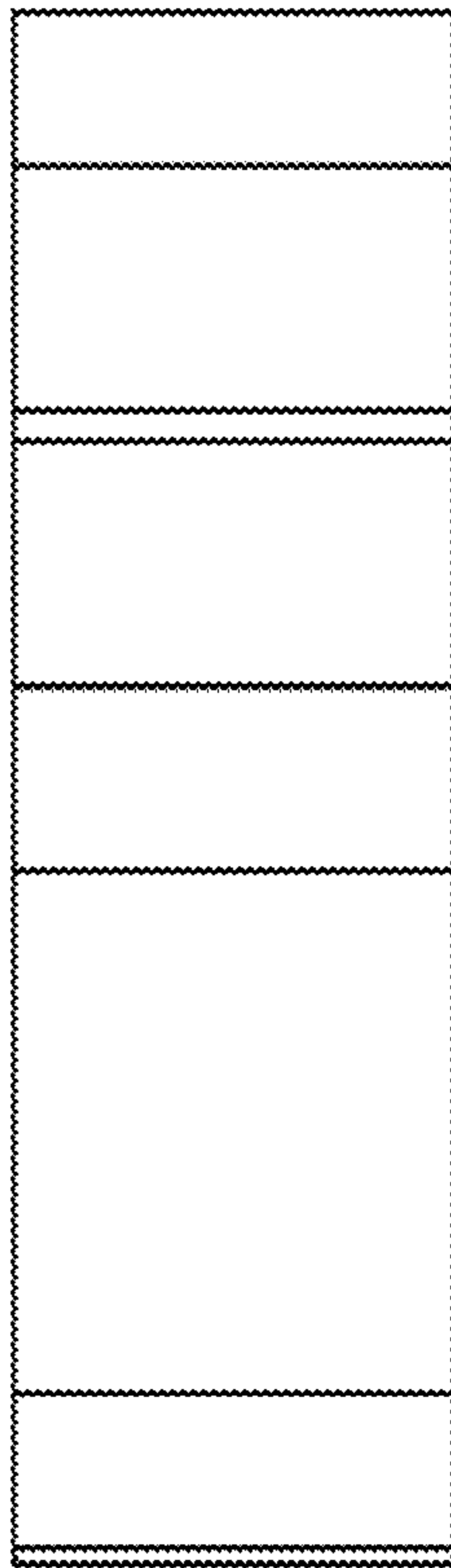


FIGURE 4

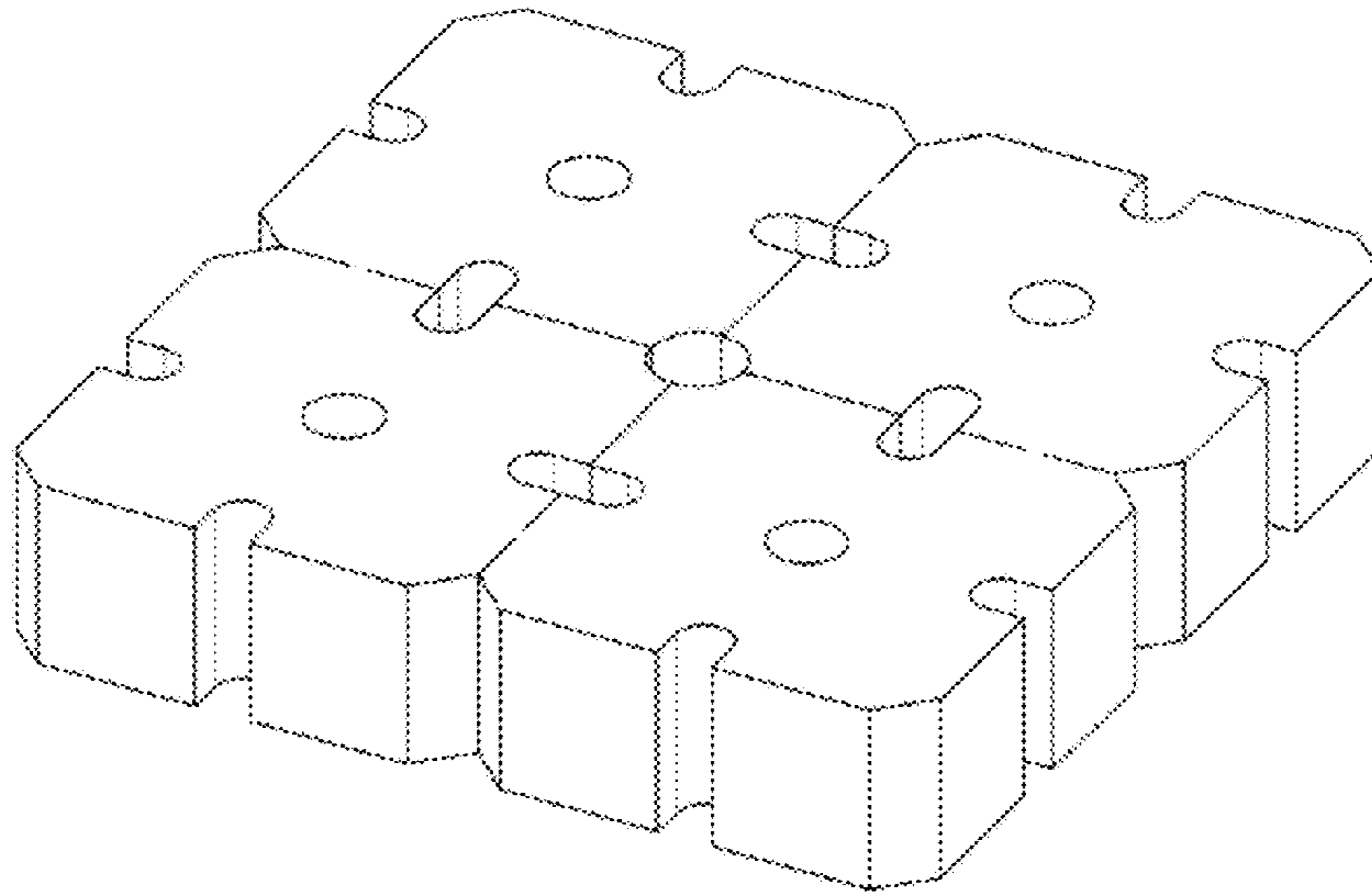


FIGURE 5

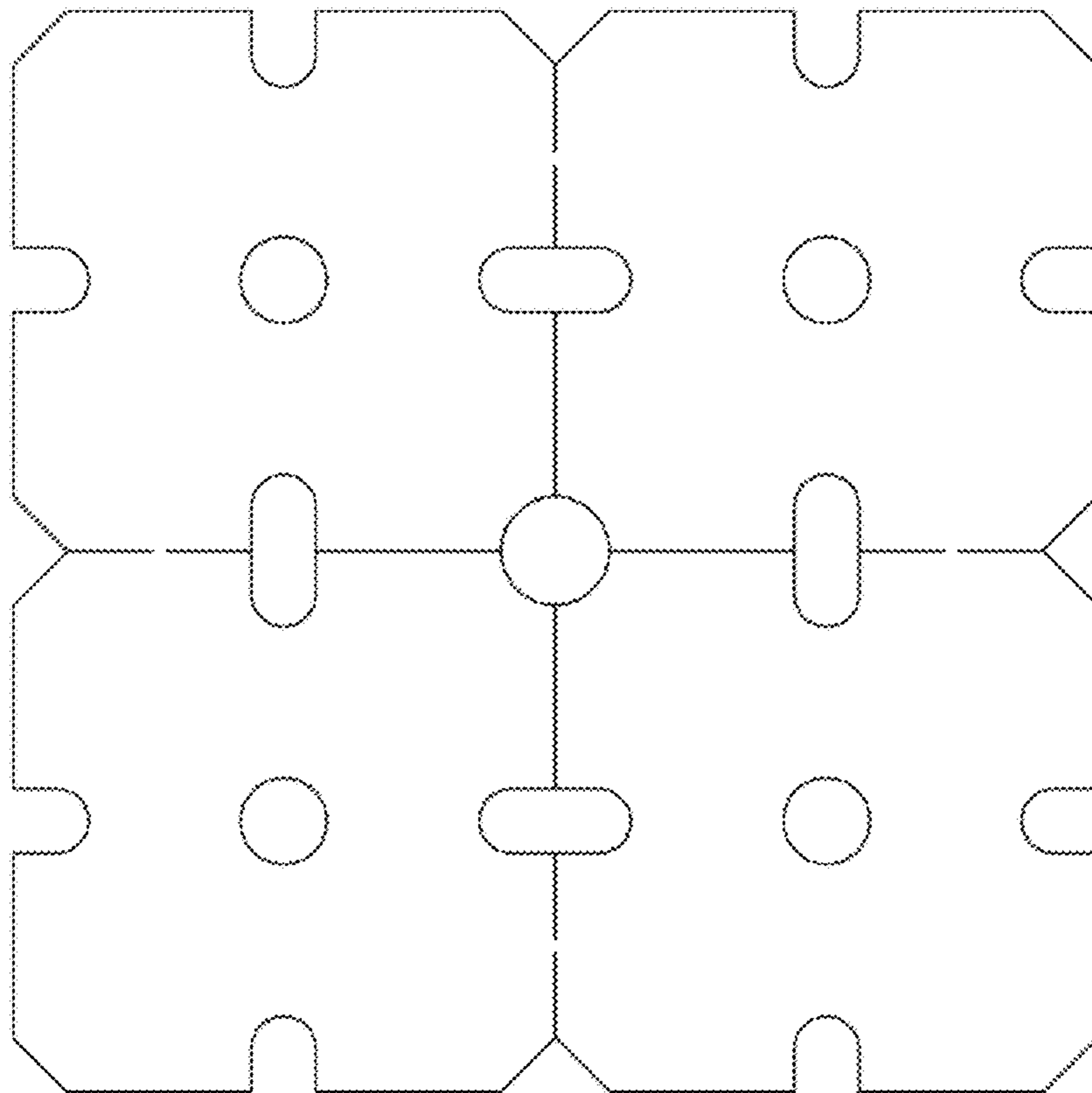


FIGURE 6

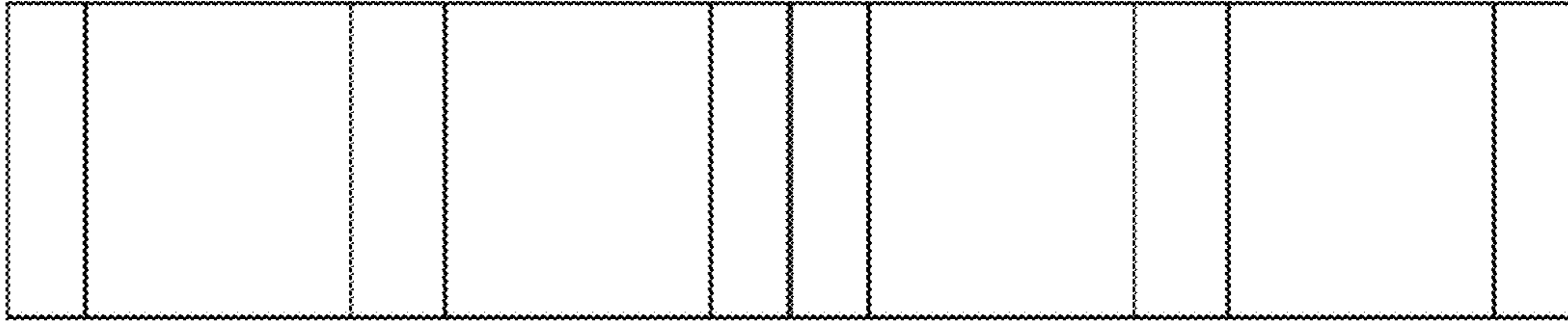


FIGURE 7

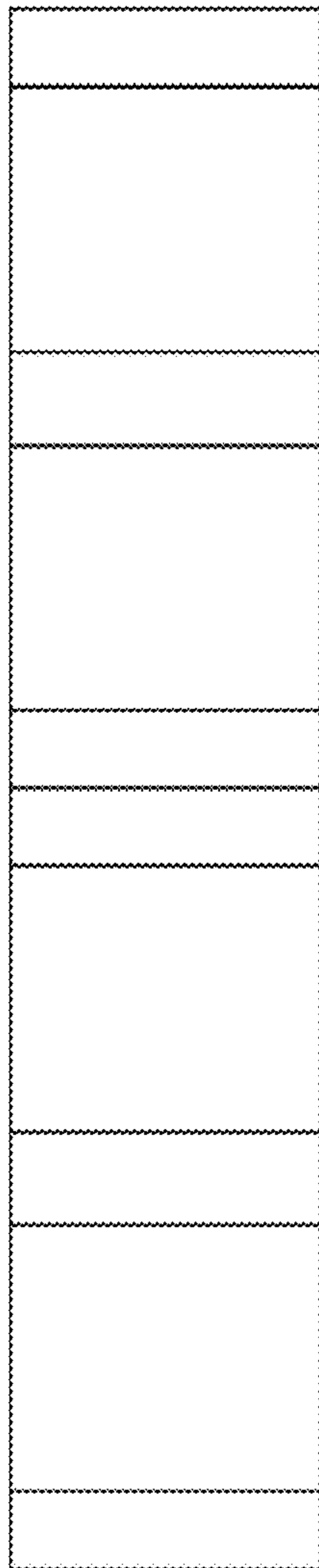


FIGURE 8