



US00D860063S

(12) **United States Design Patent** (10) **Patent No.:** **US D860,063 S**  
**Kamen et al.** (45) **Date of Patent:** **\*\* Sep. 17, 2019**

(54) **TOP-MOUNTED STORAGE CONTAINER**  
(71) Applicant: **DEKA Products Limited Partnership**,  
Manchester, NH (US)  
(72) Inventors: **Dean Kamen**, Bedford, NH (US);  
**Stewart M. Coulter**, Bedford, NH  
(US); **Zachary E. Cranfield**,  
Manchester, NH (US); **Aidi Xu**,  
Manchester, NH (US)

(73) Assignee: **AMOSKEAG ADV LLC**, Manchester,  
NH (US)

(\*\*) Term: **15 Years**

(21) Appl. No.: **29/650,225**

(22) Filed: **Jun. 5, 2018**

(51) **LOC (12) Cl.** ..... **12-12**

(52) **U.S. Cl.**  
USPC ..... **D12/129; D12/133**

(58) **Field of Classification Search**  
USPC ..... D12/128–133  
CPC ..... B62B 7/00–04; B62B 9/00–28  
See application file for complete search history.

(56) **References Cited**

**U.S. PATENT DOCUMENTS**

D388,027 S \* 12/1997 Polak ..... D12/129  
D388,368 S \* 12/1997 Polak ..... D12/129

D408,767 S \* 4/1999 Bar ..... D12/133  
D424,483 S \* 5/2000 Tripodi ..... D12/129  
D470,084 S \* 2/2003 Schlough ..... D12/129  
D636,301 S \* 4/2011 Dammacco ..... D12/133  
9,254,857 B2 \* 2/2016 Fiebelkorn ..... B62B 5/0093  
D791,649 S \* 7/2017 Zhou ..... D12/129  
D793,914 S \* 8/2017 Eriksson ..... D12/129  
D827,939 S \* 9/2018 Jakubowski ..... D30/109  
2008/0042379 A1 \* 2/2008 Amran ..... A45F 4/02  
280/30  
2017/0080967 A1 \* 3/2017 Atkins ..... B62B 9/142  
2018/0146757 A1 \* 5/2018 Singh Johar ..... A45C 13/262

\* cited by examiner

*Primary Examiner* — Charles D Hanson

(57) **CLAIM**

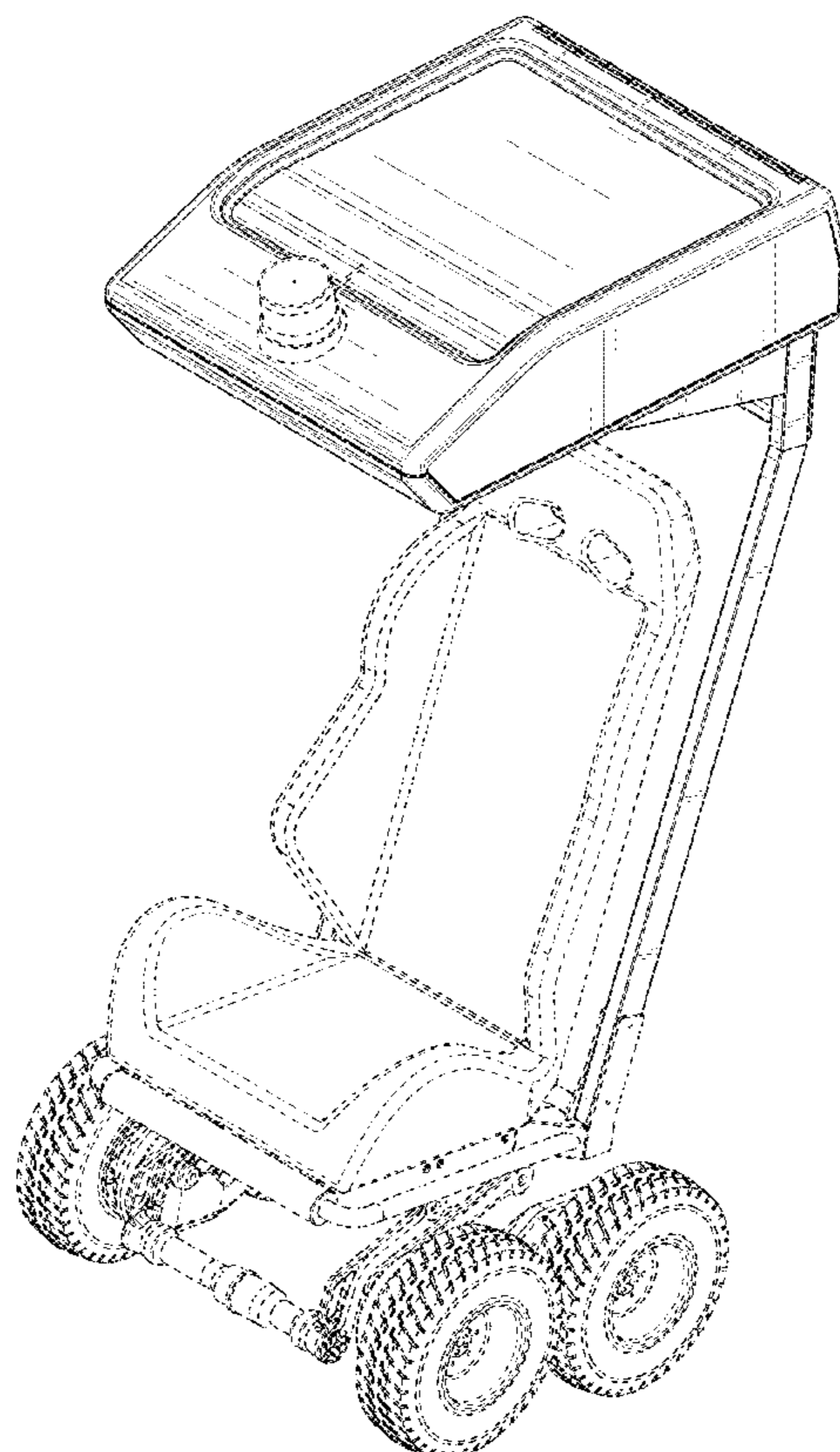
The ornamental design of a top-mounted storage container,  
as shown and described.

**DESCRIPTION**

FIG. 1 is a front, top, left side perspective view of the  
top-mounted storage container, showing our new design;  
FIG. 2 is a front side elevational view thereof;  
FIG. 3 is a rear side elevational view thereof;  
FIG. 4 is a right side elevational view thereof;  
FIG. 5 is a left side elevational view thereof;  
FIG. 6 is a top plan view thereof; and,  
FIG. 7 is a bottom plan view thereof.

The features shown in broken lines depict environmental  
structure only and form no part of the claimed design.

**1 Claim, 7 Drawing Sheets**



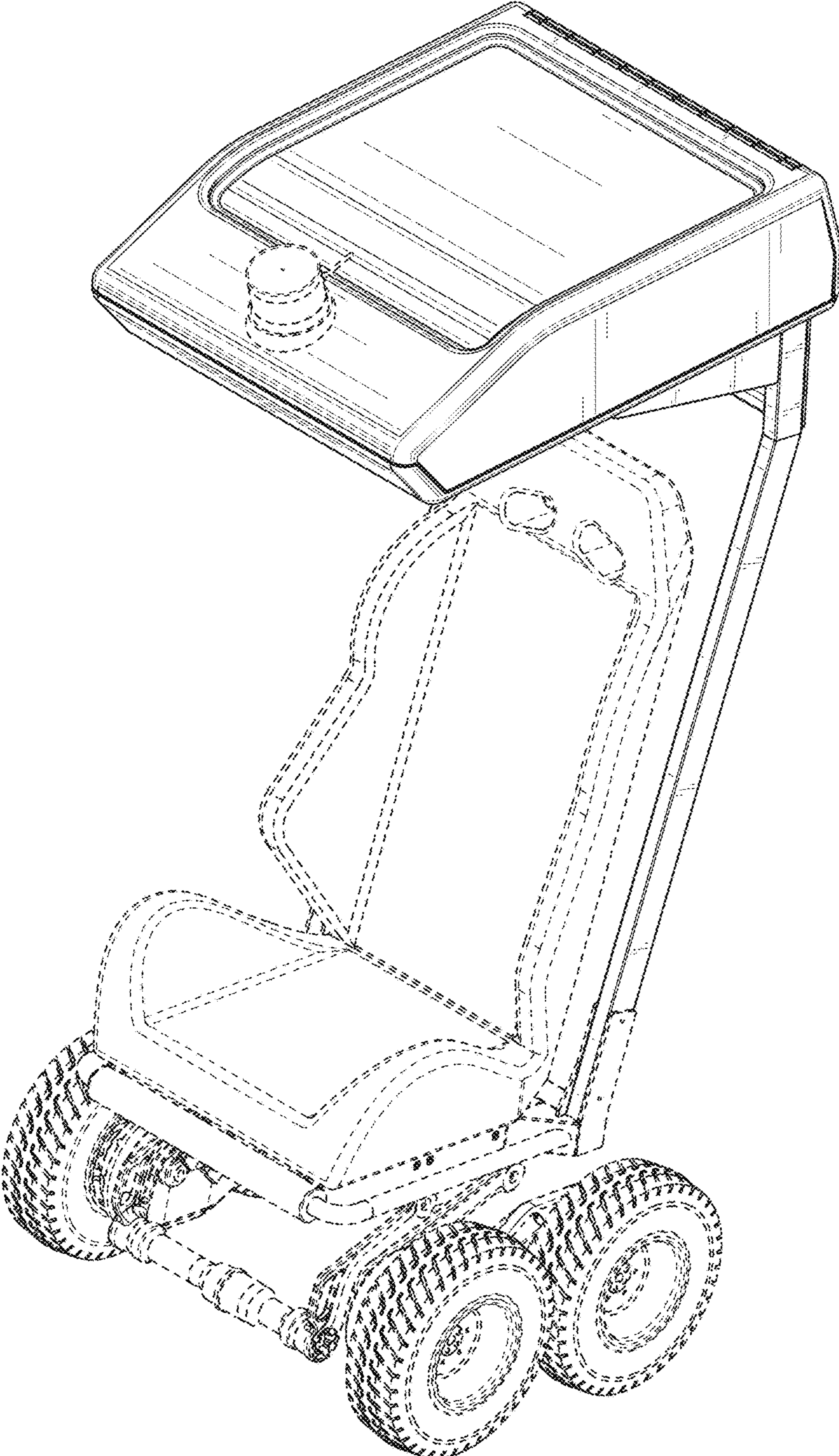


FIG. 1

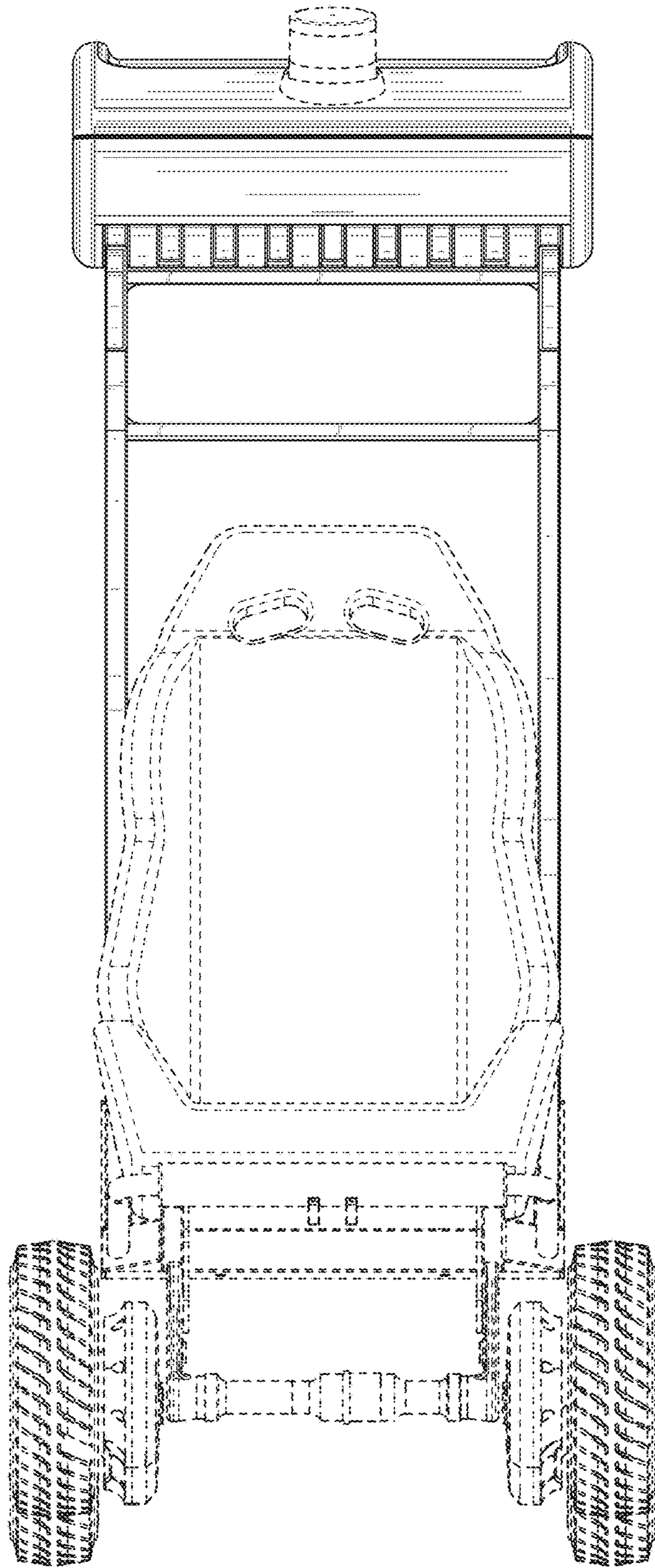


FIG. 2

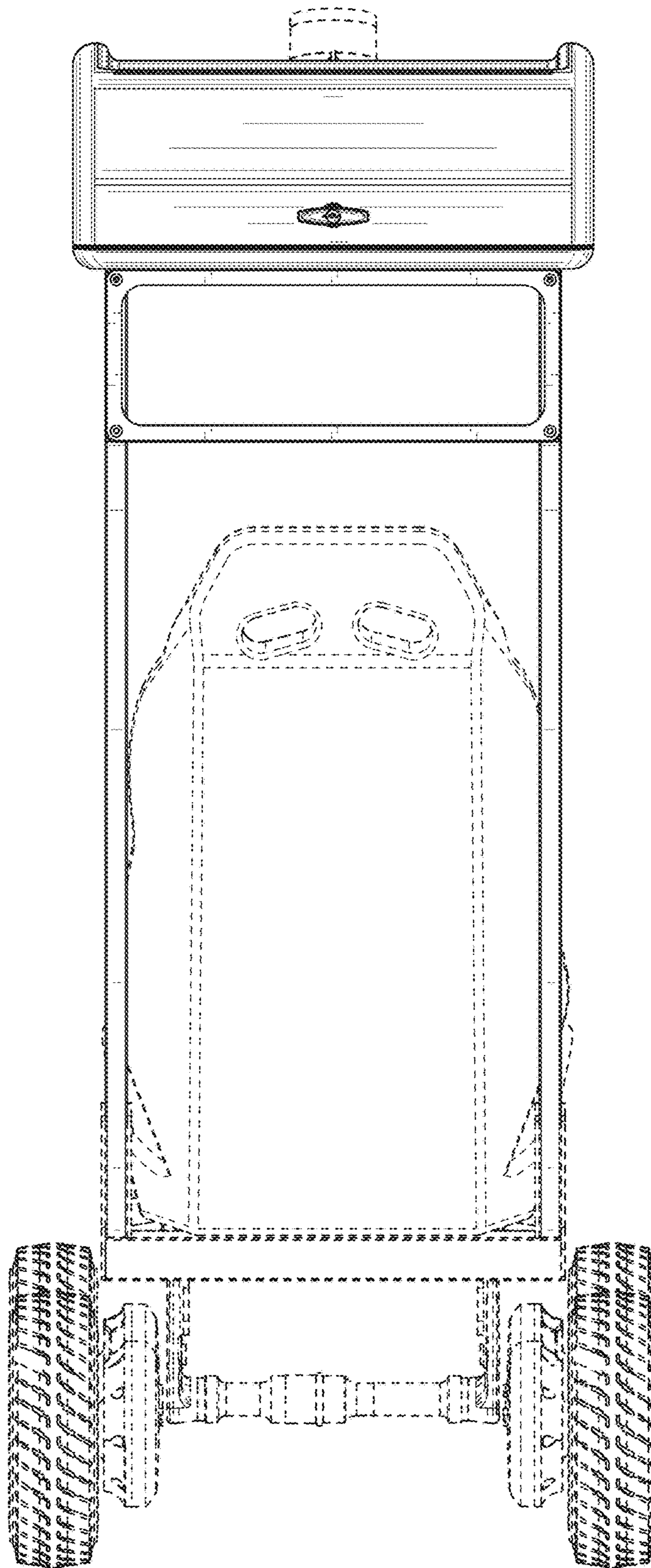


FIG. 3

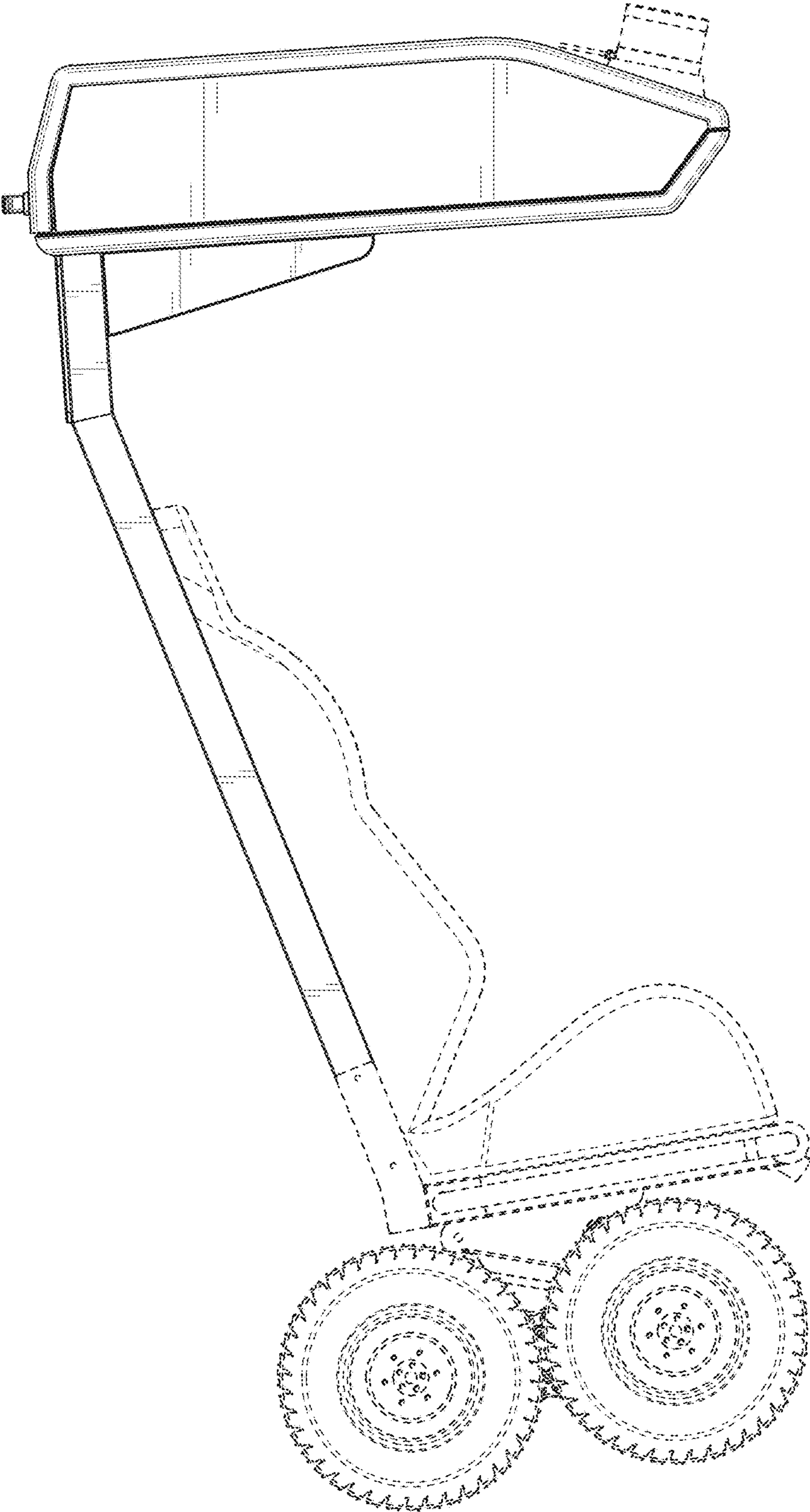


FIG. 4

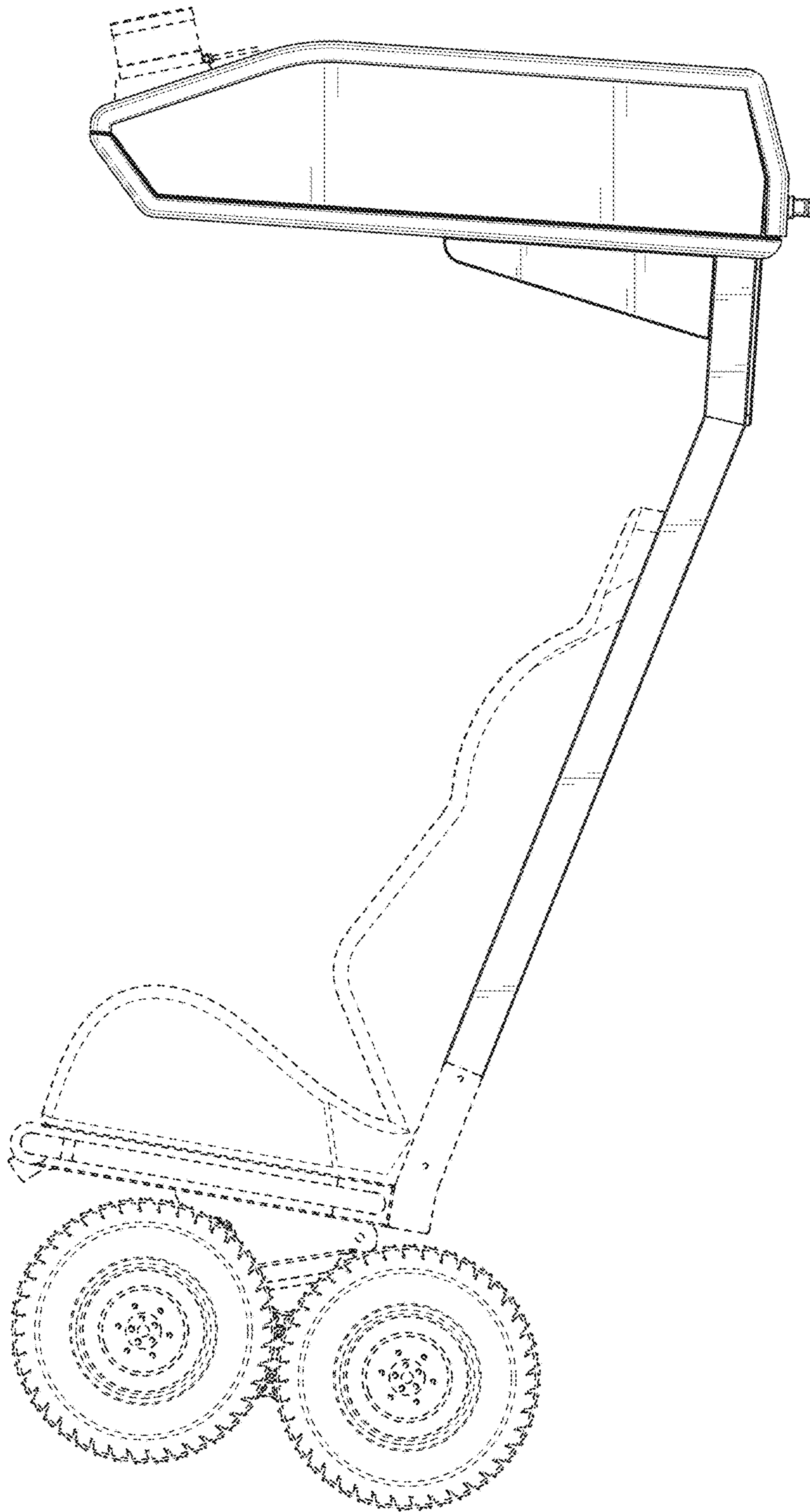


FIG. 5

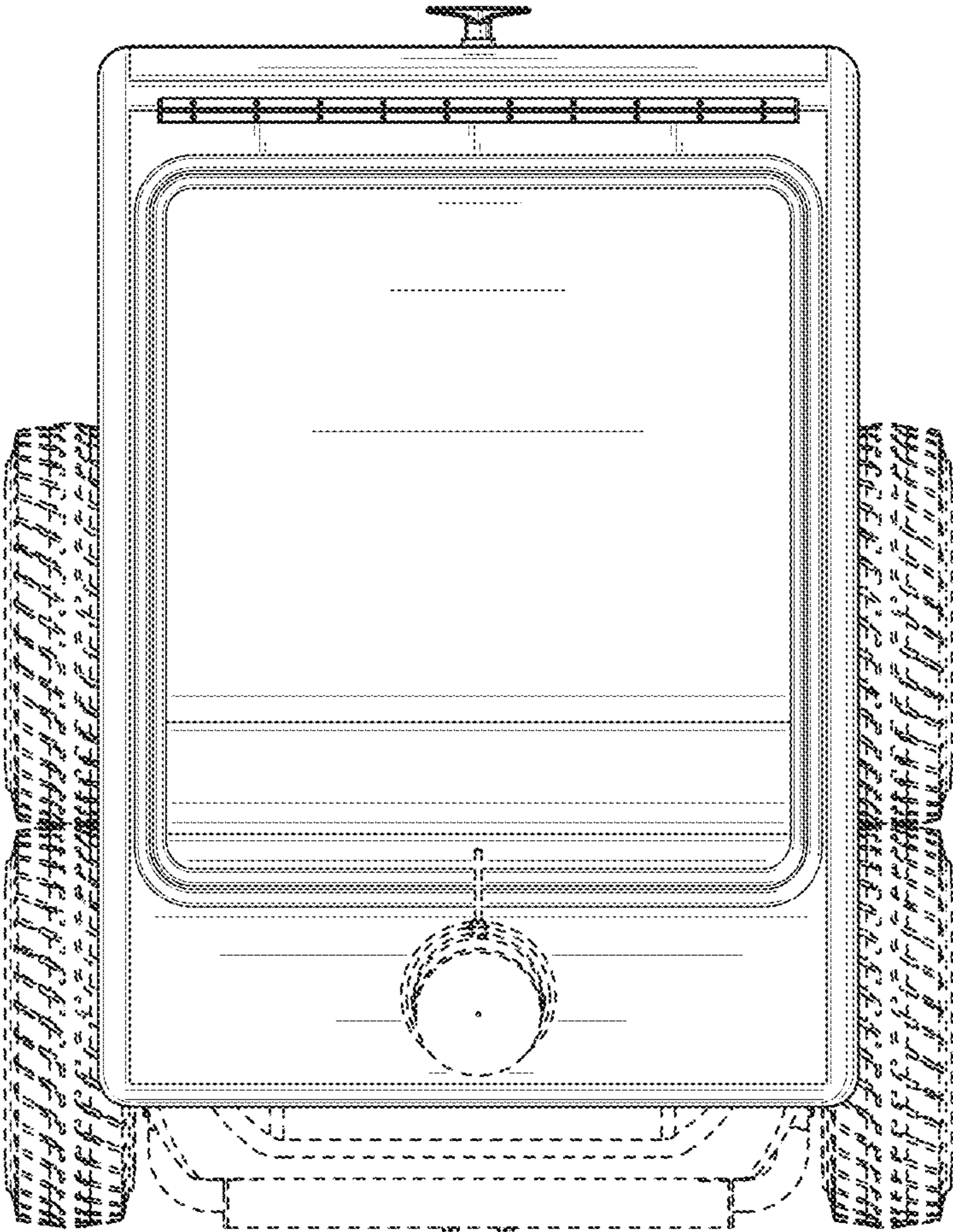


FIG. 6

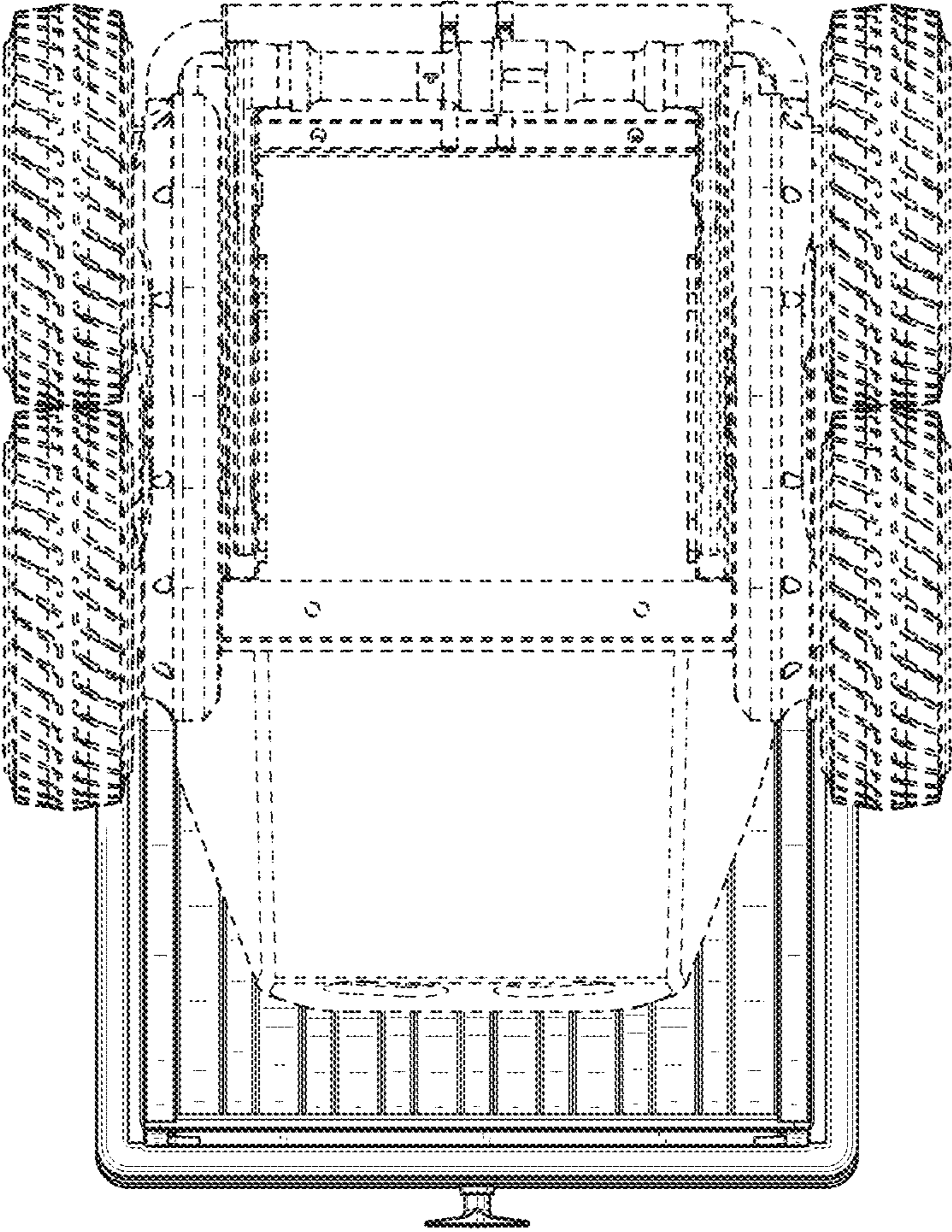


FIG. 7