



US00D860062S

(12) **United States Design Patent**
Weagle

(10) **Patent No.:** **US D860,062 S**

(45) **Date of Patent:** **** Sep. 17, 2019**

(54) **CYCLE SUSPENSION ASSEMBLY**

783,236 A 2/1905 Ashburn
848,324 A 3/1907 Sager
913,961 A 3/1909 Levedahl

(71) Applicant: **TRVSTPER, INC.**, Salt Lake City, UT
(US)

(Continued)

(72) Inventor: **David Weagle**, Edgartown, MA (US)

FOREIGN PATENT DOCUMENTS

(73) Assignee: **TRVSTPER, INC.**, Salt Lake City, UT
(US)

BE 507753 A 12/1951
CA 474575 A 6/1951

(Continued)

(**) Term: **15 Years**

OTHER PUBLICATIONS

(21) Appl. No.: **29/636,530**

Color photograph of Armstrong motor cycle, Applicant's internal files.

(22) Filed: **Feb. 8, 2018**

(Continued)

(51) **LOC (12) Cl.** **12-11**

(52) **U.S. Cl.**
USPC **D12/118**

(58) **Field of Classification Search**
USPC D12/111, 117, 118
CPC B62K 21/02; B62K 21/18; B62K 25/02
See application file for complete search history.

Primary Examiner — Darlington Ly

(74) *Attorney, Agent, or Firm* — Marshall, Gerstein & Borun LLP

(57) **CLAIM**

The ornamental design for a cycle suspension assembly, as shown and described.

(56) **References Cited**

U.S. PATENT DOCUMENTS

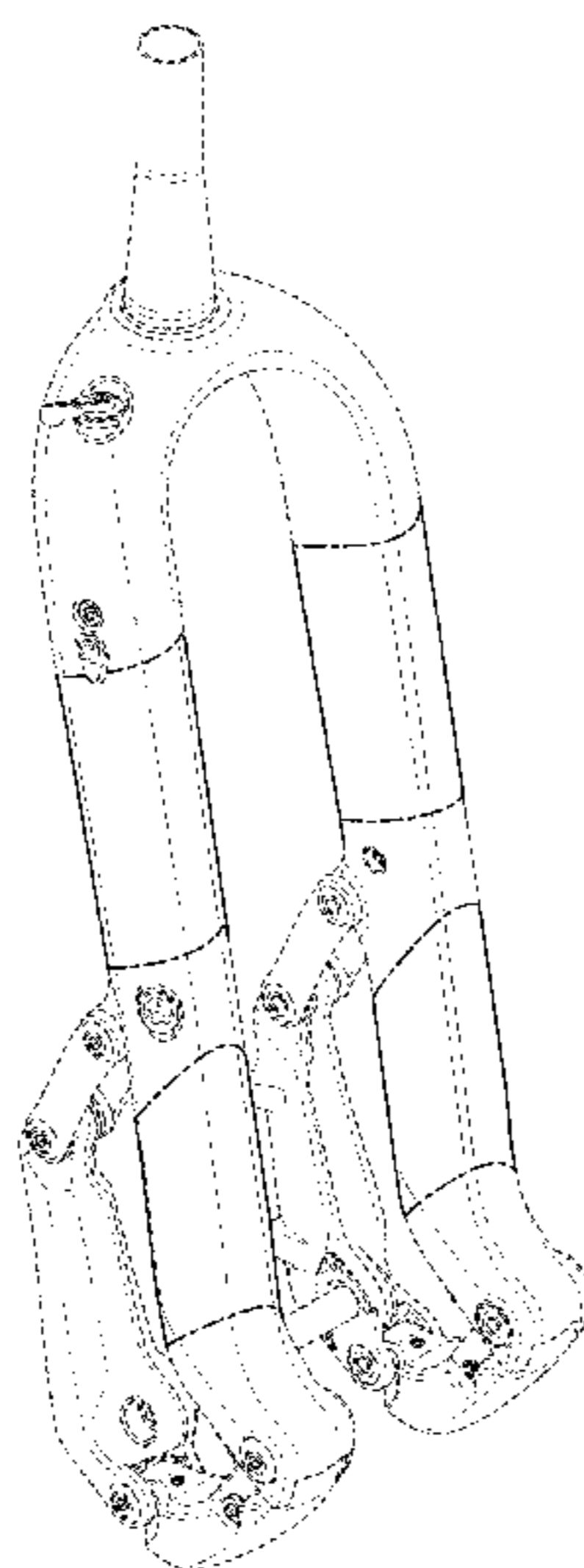
389,200 A	9/1888	Clegg
393,387 A	11/1888	Norton
400,727 A	4/1889	Baudreau
412,322 A	10/1889	Copeland
414,048 A	10/1889	Hunter
423,471 A	3/1890	Easthope
426,402 A	4/1890	Torkelson
435,477 A	9/1890	Blackledge
441,649 A	12/1890	Dunlop
443,266 A	12/1890	Bell
444,639 A	1/1891	O'Neill
447,234 A	2/1891	Donnelly
467,794 A	1/1892	Ellis
468,643 A	2/1892	Clement
524,389 A	8/1894	La Casse
602,354 A	4/1898	Ohlgart
638,723 A	12/1899	Kelly
739,476 A	9/1903	Becker

DESCRIPTION

FIG. 1 is a top, front, and right side perspective view of a cycle suspension assembly showing our new design; FIG. 2 is a top, rear, and right side perspective view thereof; FIG. 3 is a front elevation view thereof; FIG. 4 is a rear elevation view thereof; FIG. 5 is a right side elevation view thereof; FIG. 6 is a left side elevation view thereof; FIG. 7 is a top plan view thereof; and, FIG. 8 is a bottom plan view thereof.

The broken lines in the drawings illustrate portions of the cycle suspension assembly that form no part of the claimed design.

1 Claim, 7 Drawing Sheets



(56)

References Cited

U.S. PATENT DOCUMENTS

927,989 A	7/1909	Meiser	3,083,038 A	3/1963	Moulton
940,245 A	11/1909	Gates	3,133,748 A	5/1964	Gunnerson
946,143 A	1/1910	Levedahl	3,433,318 A	3/1969	Packard
953,697 A	4/1910	Kuebodeaux	3,694,004 A	9/1972	Siebers
973,071 A	10/1910	Redmond	3,701,544 A	10/1972	Stankovich
979,674 A	12/1910	Kittle et al.	3,730,553 A	5/1973	Harman
980,999 A	1/1911	Pommer	3,774,935 A	11/1973	Aldrich
989,638 A	4/1911	Pilgrim	3,942,821 A	3/1976	Bock
1,000,115 A	8/1911	Oquist	3,944,254 A	3/1976	Inui
1,036,263 A	8/1912	Kittle	3,954,284 A	5/1976	Phillips et al.
1,042,480 A	10/1912	Ridgway	3,989,261 A	11/1976	Kawaguchi
1,077,105 A	10/1913	Stewart	4,057,264 A	11/1977	Suzuki et al.
1,096,417 A	5/1914	Ekstrom	4,147,371 A	4/1979	Morita et al.
1,101,614 A	6/1914	Bramham	4,153,237 A	5/1979	Supalla
1,132,829 A	3/1915	Cobb	4,159,123 A	6/1979	Petty
1,144,753 A	6/1915	Budroe	4,162,797 A	7/1979	McBride
1,166,156 A	12/1915	Shimmin	4,170,369 A	10/1979	Strutman
1,189,874 A	7/1916	Schickel	4,179,135 A	12/1979	Slater
1,203,927 A	11/1916	Stagni	4,180,280 A	12/1979	Doveri
1,213,995 A	1/1917	Anderson	4,184,695 A	1/1980	Roe et al.
1,223,572 A	4/1917	Drew	4,186,936 A	2/1980	Offenstadt et al.
1,227,634 A	5/1917	Lake	4,189,168 A	2/1980	Courtney
1,251,992 A	1/1918	Drew	4,212,481 A	7/1980	Ribi
1,254,798 A	1/1918	Harley	4,265,329 A	5/1981	de Cortanze
1,273,179 A	7/1918	Perry et al.	4,268,055 A	5/1981	Bell
1,298,958 A	4/1919	Johnston	4,295,658 A	10/1981	Kashima
1,333,449 A	3/1920	Russell	4,367,882 A	1/1983	Alexander et al.
1,365,524 A	1/1921	Mellantine	4,388,978 A	6/1983	Fior
1,397,850 A	11/1921	Yoxall et al.	4,401,316 A	8/1983	Miyakoshi et al.
1,432,376 A	10/1922	Wolff	4,406,475 A	9/1983	Miyakoshi et al.
1,452,436 A	4/1923	Pullin	4,410,196 A	10/1983	Ribi
1,475,044 A	11/1923	Bloom	4,421,337 A	12/1983	Pratt
1,517,146 A	11/1924	Bloom	4,422,662 A	12/1983	Inoue et al.
1,527,133 A	2/1925	Harley	4,433,850 A	2/1984	Miyakoshi et al.
1,605,680 A	11/1926	Merkel	4,433,851 A	2/1984	Miyakoshi et al.
1,834,308 A	12/1931	Harley	4,437,678 A	3/1984	Schultz
1,924,363 A	8/1933	Kanai	4,438,909 A	3/1984	Matsumoto
2,038,011 A	4/1936	Spiegler et al.	4,444,406 A	4/1984	Isono
2,073,736 A	3/1937	Duffy	4,455,032 A	6/1984	Kajikawa
2,087,299 A	7/1937	Pribil	4,480,711 A	11/1984	Satoh et al.
2,160,034 A	5/1939	Schwinn	4,520,892 A	6/1985	Satoh
2,203,342 A	6/1940	Sloman	4,526,249 A	7/1985	Parker
2,233,313 A	2/1941	Hazelroth	4,531,755 A	7/1985	Isono et al.
2,271,304 A	1/1942	Mulholland	4,533,153 A	8/1985	Tsunoda et al.
2,303,568 A	12/1942	McWhorter et al.	4,540,190 A	9/1985	Moulton
2,376,788 A	5/1945	Latscher-Latka	4,542,910 A	9/1985	Watanabe
2,462,711 A	2/1949	Barnett	4,561,669 A	12/1985	Simons
2,463,310 A	3/1949	Probst	4,570,963 A	2/1986	Isono
2,464,326 A	3/1949	MacGregor	4,572,534 A	2/1986	Heyl
2,475,774 A	7/1949	Benson	4,576,393 A	3/1986	Moulton et al.
2,485,484 A	10/1949	Dean	4,585,245 A	4/1986	Rose
2,486,430 A	11/1949	Moore	4,616,810 A	10/1986	Richardson et al.
2,489,821 A	11/1949	Ryder	4,625,985 A	12/1986	Nakano et al.
2,504,452 A	4/1950	Rostan	4,650,027 A	3/1987	de Cortanze
2,525,171 A	10/1950	Franks	4,660,683 A	4/1987	Hayashi et al.
2,537,679 A	1/1951	Kraeft	4,662,645 A *	5/1987	McMurtrey B62K 21/02 280/279
2,540,585 A	2/1951	Kranz	4,685,694 A	8/1987	Kouyama
2,543,991 A	3/1951	Schuricht	4,702,338 A	10/1987	Trema
2,550,876 A	5/1951	Spencer	4,703,839 A	11/1987	Yasuo et al.
2,561,156 A	7/1951	Thorkildsen	4,723,621 A	2/1988	Kawano et al.
2,588,889 A	3/1952	Sherwood	4,732,241 A	3/1988	Yoshida
2,596,411 A	5/1952	Jordan	4,738,468 A	4/1988	Baron
2,636,567 A	4/1953	Landrum	4,741,545 A	5/1988	Honma et al.
2,649,312 A	8/1953	Miller	4,742,884 A	5/1988	Ishikawa
2,660,455 A	11/1953	Douglas et al.	4,744,434 A	5/1988	Miyakoshi et al.
2,708,112 A	5/1955	Seddon et al.	4,770,434 A	9/1988	Pietro et al.
2,729,465 A	1/1956	Torre	4,775,163 A	10/1988	McGowan et al.
2,751,991 A	6/1956	Mennesson	4,776,609 A	10/1988	Pan et al.
2,752,167 A	6/1956	Propst et al.	4,789,174 A	12/1988	Lawwill
2,756,070 A	7/1956	Torre	4,807,898 A	2/1989	Huntly
2,756,832 A	7/1956	Dalrymple	4,809,802 A	3/1989	Seino et al.
2,918,306 A	12/1959	Lewandoski	4,815,763 A	3/1989	Hartmann
2,953,395 A	9/1960	Turner	4,828,069 A	5/1989	Hatsuyama
2,969,992 A	1/1961	Hahn	4,834,412 A	5/1989	Trema
2,976,056 A	3/1961	Henry	4,878,558 A	11/1989	Asakura
			4,881,750 A	11/1989	Hartmann
			4,890,857 A	1/1990	de Cortanze
			4,971,344 A	11/1990	Turner

(56)

References Cited

U.S. PATENT DOCUMENTS

4,993,734 A 2/1991 Trema
 4,997,197 A 3/1991 Shultz
 5,009,451 A 4/1991 Hayashi et al.
 5,042,608 A 8/1991 Horiike et al.
 5,050,699 A 9/1991 Savard
 5,064,212 A 11/1991 Yun
 5,069,303 A 12/1991 Fuller
 5,069,467 A 12/1991 Claudio
 5,088,705 A 2/1992 Tsai
 D326,249 S * 5/1992 Chance D12/118
 5,133,223 A 7/1992 Morri
 5,156,231 A 10/1992 Trema
 5,186,481 A 2/1993 Turner
 5,193,832 A 3/1993 Wilson et al.
 5,193,833 A 3/1993 Reisinger
 5,195,766 A 3/1993 Dohrmann et al.
 5,219,211 A 6/1993 Tsuchida et al.
 5,248,159 A 9/1993 Moore
 D340,434 S * 10/1993 Hammer D12/118
 5,249,650 A 10/1993 Tanaka
 5,269,549 A 12/1993 Wilson et al.
 5,284,352 A 2/1994 Chen
 5,299,820 A 4/1994 Lawwill
 5,308,099 A 5/1994 Browning
 5,310,203 A 5/1994 Chen
 5,320,374 A 6/1994 Farris et al.
 5,328,196 A 7/1994 Ohma
 5,350,185 A 9/1994 Robinson
 5,354,085 A 10/1994 Gally
 5,359,910 A 11/1994 Chang et al.
 5,361,864 A 11/1994 Tanaka
 5,380,026 A 1/1995 Robinson
 5,403,028 A 4/1995 Trimble
 5,405,159 A 4/1995 Klein et al.
 5,409,248 A 4/1995 Williams
 5,413,368 A 5/1995 Pong et al.
 5,417,446 A 5/1995 Pileggi
 5,427,208 A 6/1995 Motobu et al.
 5,427,397 A 6/1995 Chonan
 5,429,380 A 7/1995 Lawwill
 5,431,426 A 7/1995 Ijams et al.
 5,441,291 A 8/1995 Girvin, III
 5,449,155 A 9/1995 Mack
 5,456,480 A 10/1995 Turner et al.
 5,462,302 A 10/1995 Leitner
 D368,054 S * 3/1996 Behrens D12/118
 5,498,013 A 3/1996 Hwang
 5,509,674 A 4/1996 Browning
 5,509,676 A 4/1996 Fukutake et al.
 5,564,534 A 10/1996 Toyoda et al.
 5,599,034 A 2/1997 Brigden
 5,743,547 A 4/1998 Voss et al.
 5,749,590 A 5/1998 Roerig
 5,782,313 A 7/1998 Kurawaki et al.
 5,799,963 A 9/1998 Berkmann
 5,813,684 A 9/1998 Baron
 5,829,773 A 11/1998 Rajae
 5,855,388 A 1/1999 Brewer
 5,899,478 A 5/1999 Woodside
 D411,147 S * 6/1999 Tsai D12/118
 5,908,200 A 6/1999 Stewart
 5,931,487 A 8/1999 Koppelberg et al.
 5,931,489 A 8/1999 Damman et al.
 D415,449 S * 10/1999 Tsai D12/118
 6,017,047 A 1/2000 Hoose
 6,036,211 A 3/2000 Nohr
 6,047,981 A 4/2000 Burrows
 6,089,585 A 7/2000 Theobald
 6,149,173 A 11/2000 Bynoe
 6,152,472 A 11/2000 Woodside
 6,155,370 A 12/2000 Iwai et al.
 6,164,424 A 12/2000 Girvin et al.
 6,164,675 A 12/2000 Pickering
 6,199,885 B1 3/2001 Seidl
 6,244,609 B1 6/2001 Wilson

6,260,869 B1 7/2001 Hanlon et al.
 6,260,870 B1 7/2001 Fan
 6,263,994 B1 7/2001 Eitel
 6,336,647 B1 1/2002 Iwai et al.
 6,352,276 B1 * 3/2002 Hill B62K 21/02
 280/279
 6,357,775 B1 3/2002 Iwai et al.
 6,371,263 B1 4/2002 Hoose
 6,382,374 B1 5/2002 Iwai et al.
 6,386,567 B1 5/2002 Schonfeld
 6,402,175 B1 6/2002 Jansson
 D464,003 S * 10/2002 Chen D12/118
 6,457,732 B2 10/2002 Ito et al.
 6,485,043 B2 11/2002 Ito et al.
 6,488,300 B2 12/2002 Ito et al.
 D470,440 S * 2/2003 Rose D12/118
 6,517,095 B1 2/2003 Lansac et al.
 6,517,096 B2 2/2003 Yih
 6,533,305 B1 3/2003 Falk
 D494,108 S * 8/2004 Liao D12/118
 6,783,140 B1 8/2004 Huang
 6,789,810 B2 9/2004 Strong
 6,896,276 B1 5/2005 Sparrow
 D506,708 S * 6/2005 Conte D12/118
 6,908,092 B2 6/2005 Kofuji et al.
 6,910,702 B1 6/2005 Hals
 6,918,605 B2 7/2005 Wada et al.
 6,994,365 B2 2/2006 Kofuji
 7,011,325 B2 3/2006 Kinzler et al.
 D521,420 S * 5/2006 Cobb D12/118
 7,140,627 B2 11/2006 Wimmer
 7,159,883 B2 1/2007 Mydlarz
 D542,718 S * 5/2007 Costa D12/118
 7,210,695 B2 5/2007 Griffiths
 7,331,594 B2 2/2008 Wimmer
 7,350,787 B2 4/2008 Voss
 7,364,178 B2 4/2008 Wimmer
 7,425,008 B2 9/2008 Pokrywka
 7,425,009 B2 9/2008 Namazue et al.
 7,434,823 B2 10/2008 Robinson et al.
 7,441,622 B2 10/2008 Costa
 7,591,474 B1 * 9/2009 French B62K 21/02
 280/279
 7,699,330 B2 4/2010 Chen
 7,708,296 B2 5/2010 Becker et al.
 7,744,107 B2 6/2010 Chen
 7,887,077 B2 2/2011 Thiers
 7,896,379 B2 3/2011 Nagao et al.
 D675,132 S * 1/2013 Colp D12/118
 8,448,970 B1 * 5/2013 Vardon B62K 25/16
 280/276
 8,534,692 B2 * 9/2013 Trebichaysky B62K 25/24
 280/277
 8,672,106 B2 * 3/2014 Laird B62K 25/08
 188/275
 8,939,458 B2 * 1/2015 Nesbitt, III B62K 25/24
 280/276
 9,248,883 B2 * 2/2016 D'Aluisio B62K 21/02
 D774,986 S * 12/2016 Salvioli Mariani D12/118
 9,758,210 B2 * 9/2017 Pye B62K 25/08
 9,988,124 B2 * 6/2018 Kwaterski B62K 25/08
 10,196,106 B1 * 2/2019 Weagle B62K 25/08
 2001/0019197 A1 9/2001 Ito et al.
 2002/0084619 A1 7/2002 Odom
 2004/0036250 A1 2/2004 Kofuji
 2007/0257466 A1 * 11/2007 Murphy B62K 19/16
 280/276
 2008/0258424 A1 10/2008 Paul
 2011/0012321 A1 1/2011 Chen

FOREIGN PATENT DOCUMENTS

CH 63758 A 2/1914
 DE 1084599 B 6/1960
 DE 1122392 B 1/1962
 DE 3133576 A1 5/1983
 DE 3223728 A1 12/1983
 DE 8906328 U1 11/1989

(56)

References Cited

FOREIGN PATENT DOCUMENTS

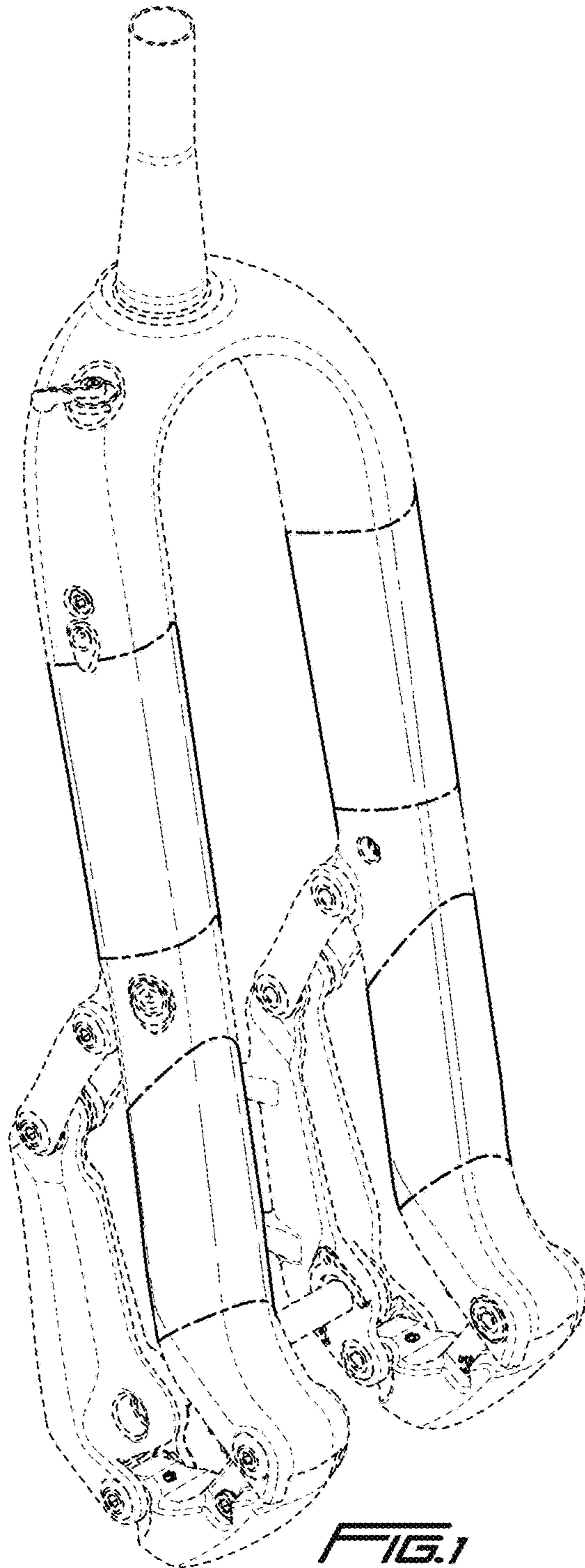
DE 3833880 A1 4/1990
 DE 4119339 A1 1/1992
 DE 9404873 U1 5/1994
 DE 9403640 U1 6/1994
 DE 9414705 U1 2/1995
 DE 19503047 A1 8/1996
 DE 19635939 A1 6/1997
 DE 19633692 A1 2/1998
 DK 49600 C 12/1934
 EP 0032170 B1 2/1986
 EP 0030306 B1 4/1986
 EP 0125244 B1 1/1987
 EP 0399615 A2 11/1990
 EP 420610 B1 2/1996
 EP 726198 A2 8/1996
 EP 0731017 B1 10/1997
 EP 0941916 A1 9/1999
 EP 0992374 A1 4/2000
 EP 1049618 B1 9/2003
 EP 728093 B2 11/2005
 EP 2096024 A1 9/2009
 EP 2100807 A1 9/2009
 EP 2357098 A2 8/2011
 EP 2483141 B1 11/2013
 FR 347724 A 3/1905
 FR 353990 A 9/1905
 FR 350269 A 12/1905
 FR 376759 A 8/1907
 FR 467213 A 6/1914
 FR 547006 A 11/1922
 FR 559088 A 9/1923
 FR 28240 E 1/1925
 FR 636211 A 4/1928
 FR 902973 A 9/1945
 FR 972653 A 2/1951
 FR 1030006 A 6/1953
 FR 1032268 A 6/1953
 FR 1059922 A 3/1954
 FR 1064265 A 5/1954
 FR 1067221 A 6/1954
 FR 1082316 A 12/1954
 FR 2418742 A1 9/1979
 FR 2494208 A2 5/1982
 FR 2687976 A1 9/1993
 FR 2687976 B1 5/1994
 FR 3004415 A1 10/2014
 GB 166065 A 7/1921
 GB 223638 A 10/1924
 GB 238069 A 8/1925

GB 239848 A 12/1925
 GB 258141 A 9/1926
 GB 264003 A 1/1927
 GB 279630 A 11/1927
 GB 302026 A 12/1928
 GB 322370 A 12/1929
 GB 469697 A 7/1937
 GB 585122 A 1/1947
 GB 585904 A 2/1947
 GB 586372 A 3/1947
 GB 691551 A 5/1953
 GB 717259 A 10/1954
 GB 720093 A 12/1954
 GB 824866 A 12/1959
 GB 841523 A 7/1960
 GB 1540824 A 2/1979
 GB 1545403 A 5/1979
 GB 2038736 A 7/1980
 GB 2052407 A 1/1981
 GB 2073680 A 10/1981
 GB 2106843 A 4/1983
 JP 63-112191 U 7/1988
 JP 649887 U 1/1989
 JP 1204884 A 8/1989
 JP 5069875 A 3/1993
 JP 05-020635 Y2 5/1993
 JP 1999091671 A 4/1999
 JP 2000159170 A 6/2000
 JP 2000159171 A 6/2000
 JP 2000159177 A 6/2000
 JP 2000159178 A 6/2000
 JP 2000168666 A 6/2000
 WO WO-82/00445 A1 2/1982
 WO WO-84/00526 A1 2/1984
 WO WO-87/01670 A1 3/1987
 WO WO-95/23728 A1 9/1995
 WO WO-97/46443 A1 12/1997
 WO WO-00/013961 A1 3/2000

OTHER PUBLICATIONS

Color photograph of Armstrong bicycle, Applicant's Internal Files.
 Black and white photograph of Scorpion motorcycle, Applicant's internal files.
 Black and white photograph of Silencer motorcycle, Applicant's internal files.
 Color Photograph of a Cotton TC-70 motorcycle, Applicant's internal files.
 Black and white photograph of Greeves trials machine, Applicant's internal files.

* cited by examiner



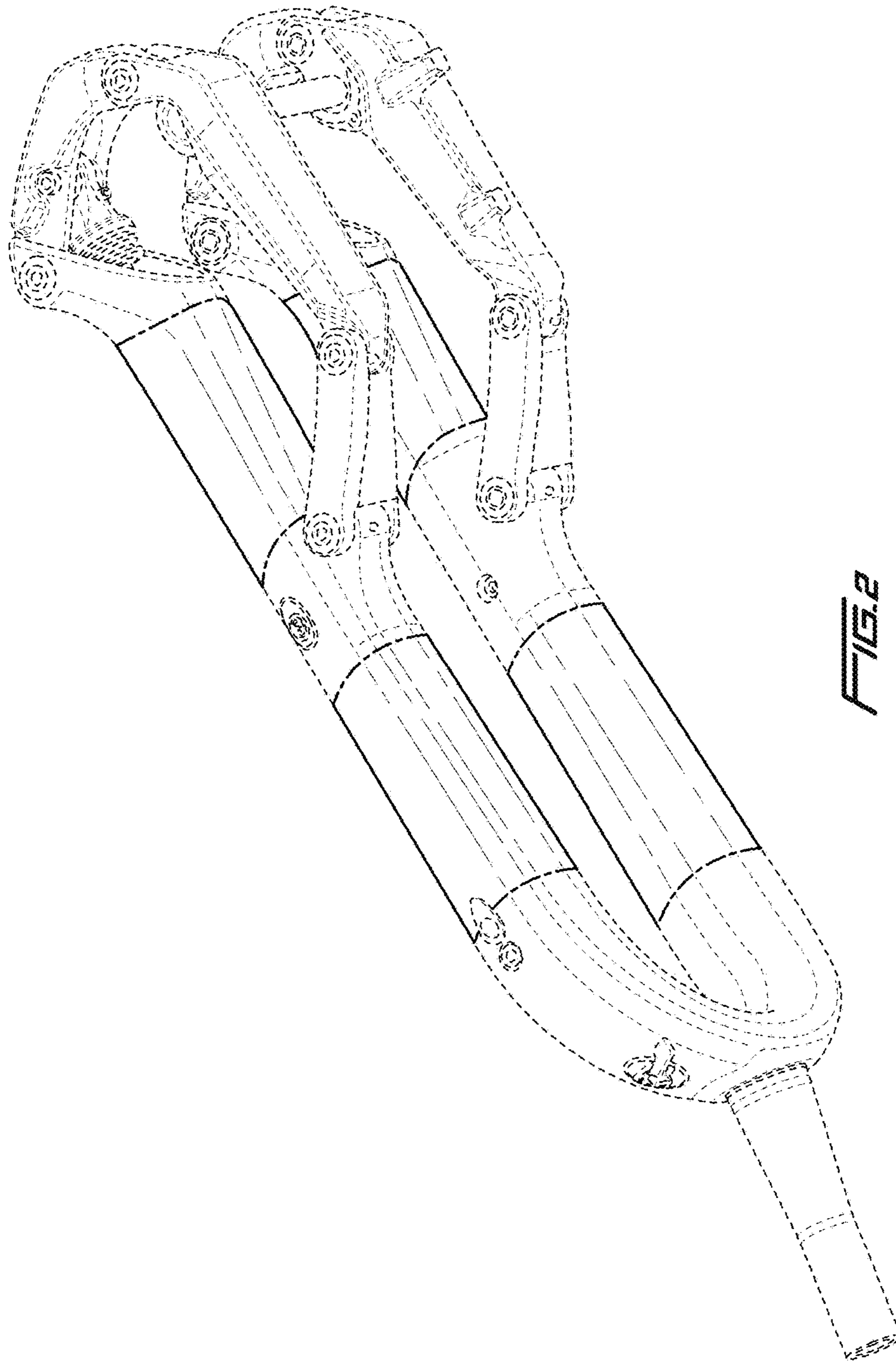


FIG. 2

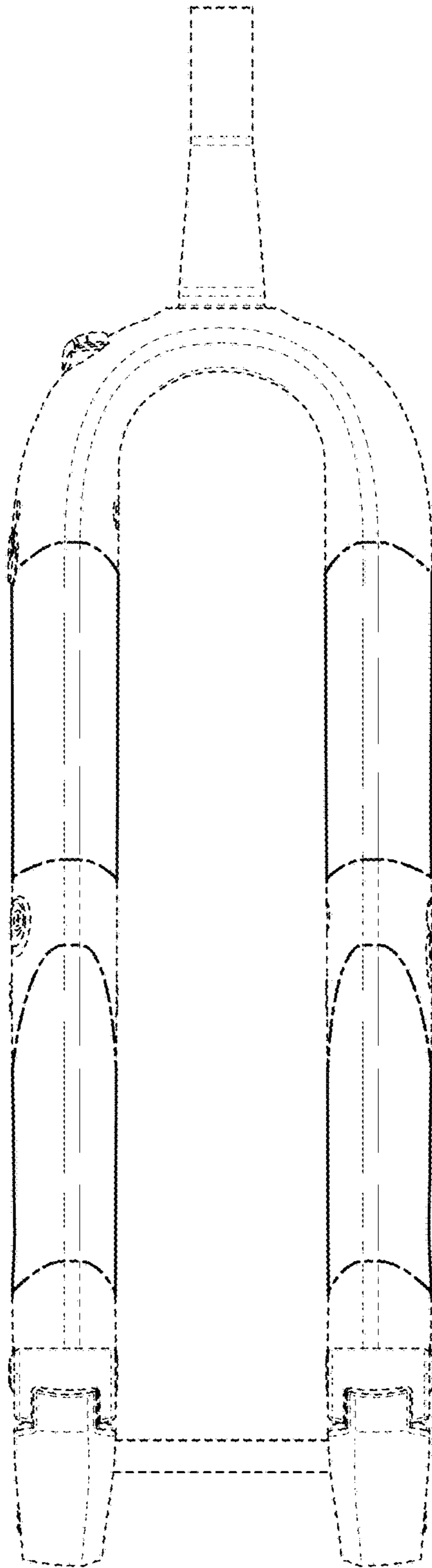


FIG. 3

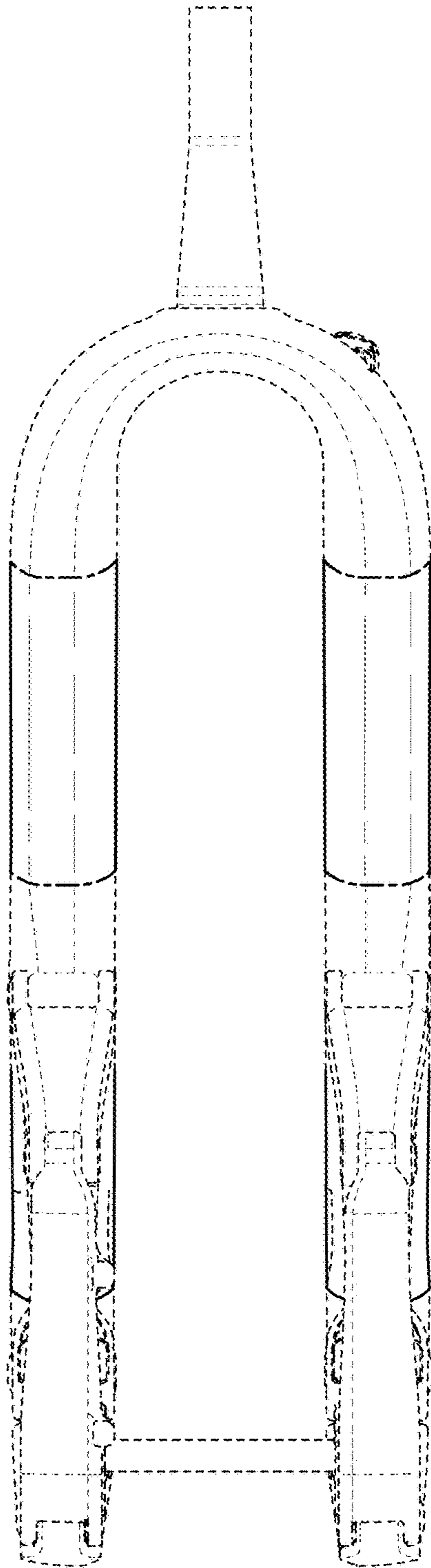


FIG. 4

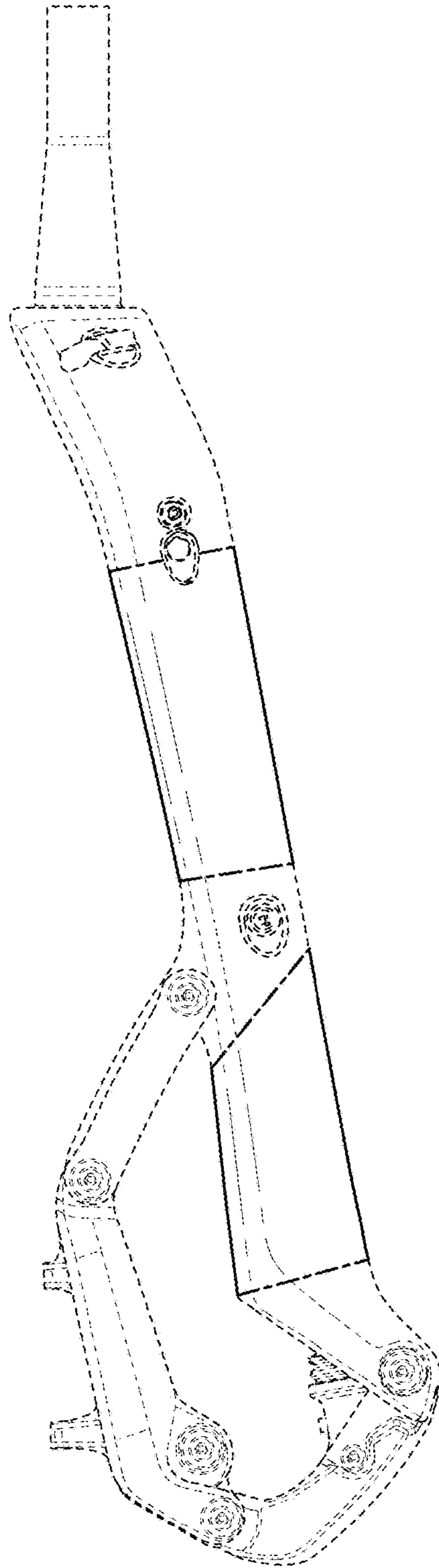


FIG. 5

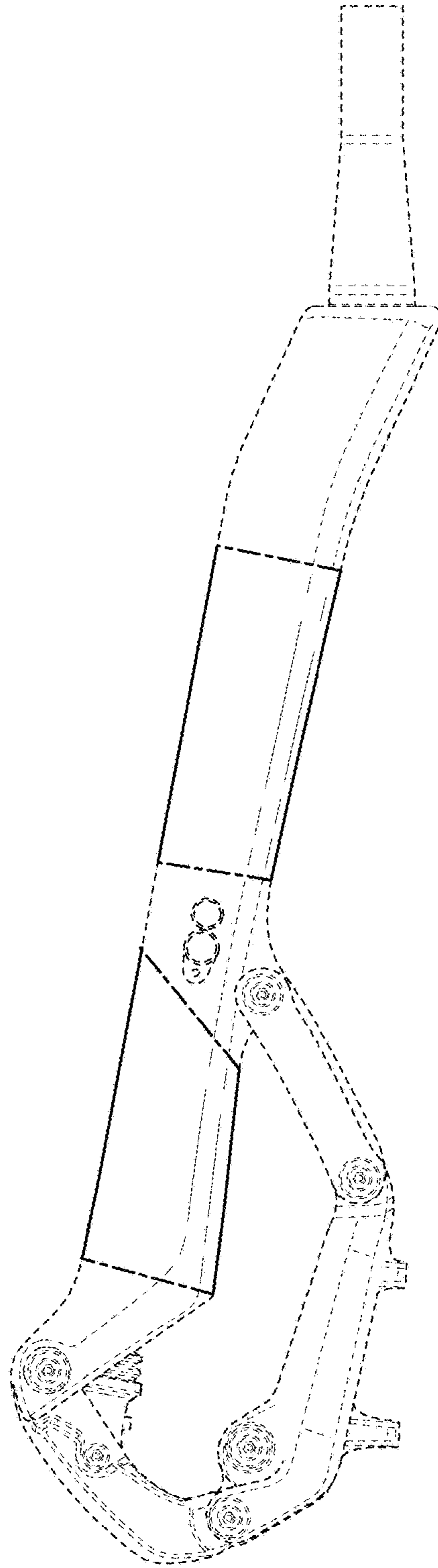


FIG. 6

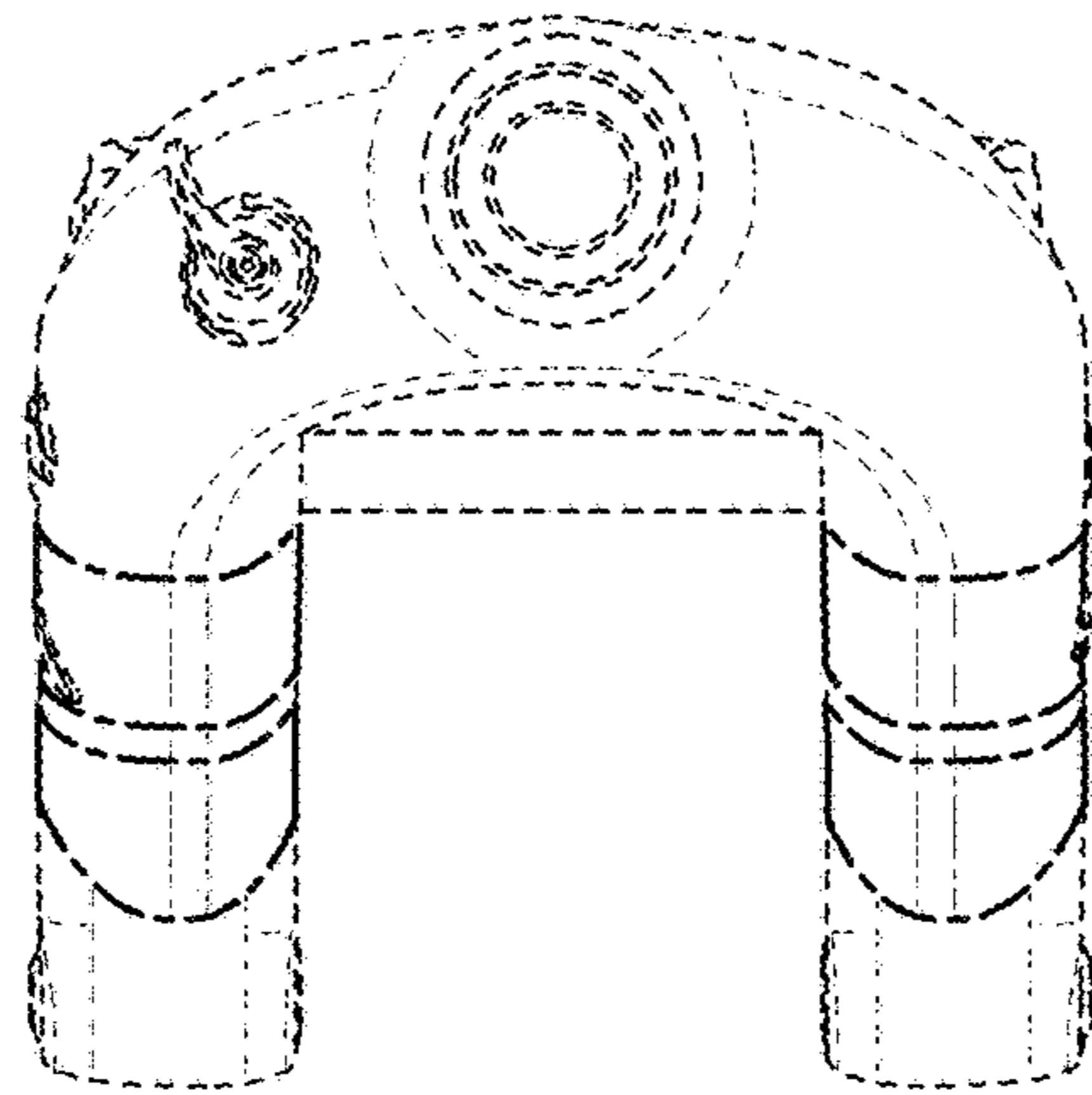


FIG. 7

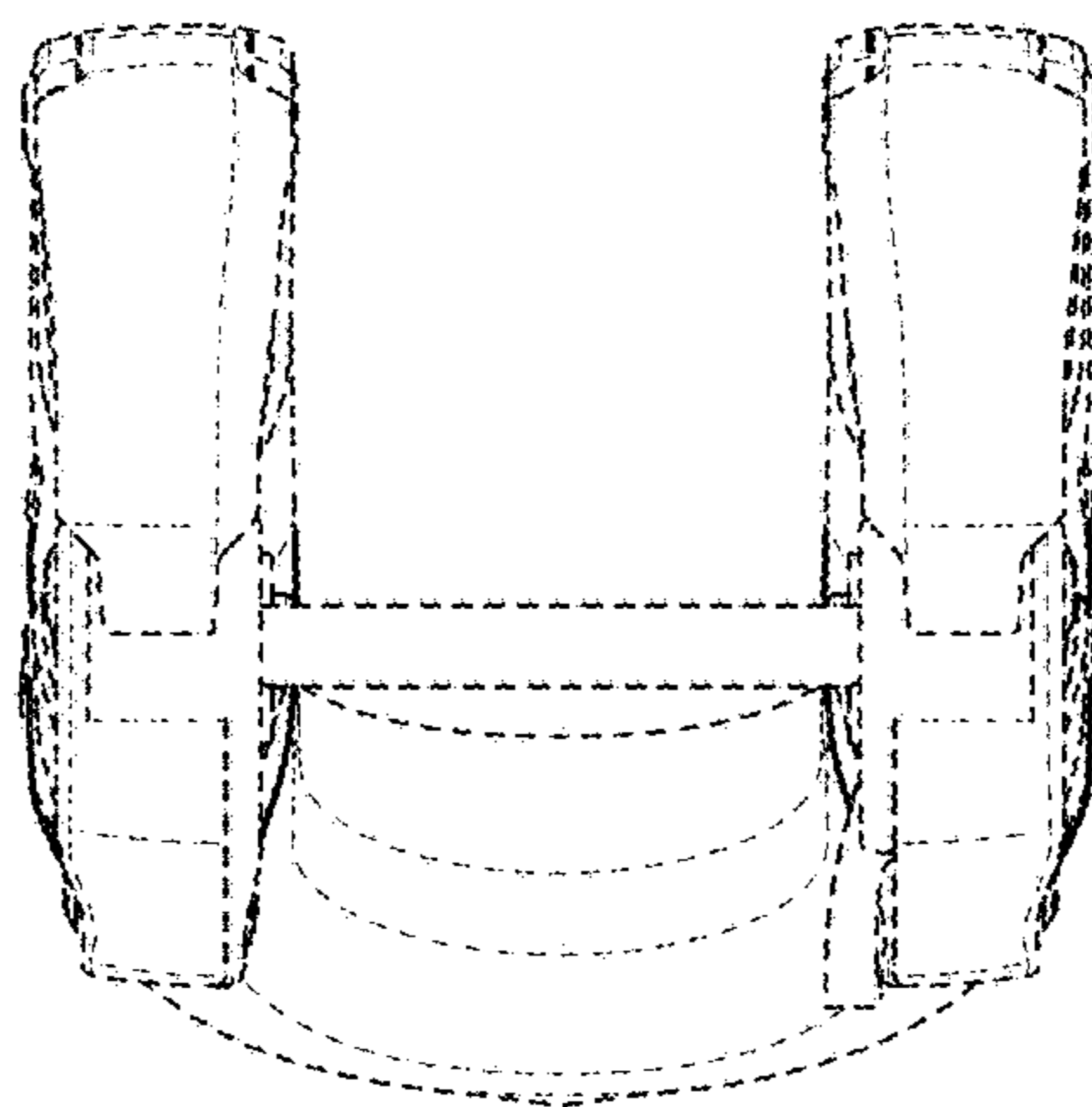


FIG. 8