



US00D860061S

(12) **United States Design Patent** (10) **Patent No.:** **US D860,061 S**
Weagle et al. (45) **Date of Patent:** **** Sep. 17, 2019**

(54) **CYCLE SUSPENSION ASSEMBLY**
(71) Applicant: **TRVSTPER, INC.**, Salt Lake City, UT (US)
(72) Inventors: **David Weagle**, Edgartown, MA (US); **Michael Giese**, Salt Lake City, UT (US)
(73) Assignee: **TRVSTPER, INC.**, Salt Lake City, UT (US)

524,389 A 8/1894 La Casse
602,354 A 4/1898 Ohlgart
638,723 A 12/1899 Kelly
739,476 A 9/1903 Becker
783,236 A 2/1905 Ashburn
(Continued)

FOREIGN PATENT DOCUMENTS

BE 507753 A 12/1951
CA 474575 A 6/1951
(Continued)

(**) Term: **15 Years**

OTHER PUBLICATIONS

(21) Appl. No.: **29/636,460**
(22) Filed: **Feb. 8, 2018**
(51) **LOC (12) Cl.** **12-11**
(52) **U.S. Cl.**
USPC **D12/118**
(58) **Field of Classification Search**
USPC D12/111, 117, 118
CPC B62K 21/02; B62K 21/18; B62K 25/02
See application file for complete search history.

Color photograph of Armstrong motor cycle, Applicant's internal files.
(Continued)

Primary Examiner — Darlington Ly
(74) *Attorney, Agent, or Firm* — Marshall, Gerstein & Borun LLP

(57) **CLAIM**

The ornamental design for a cycle suspension assembly, as shown and described.

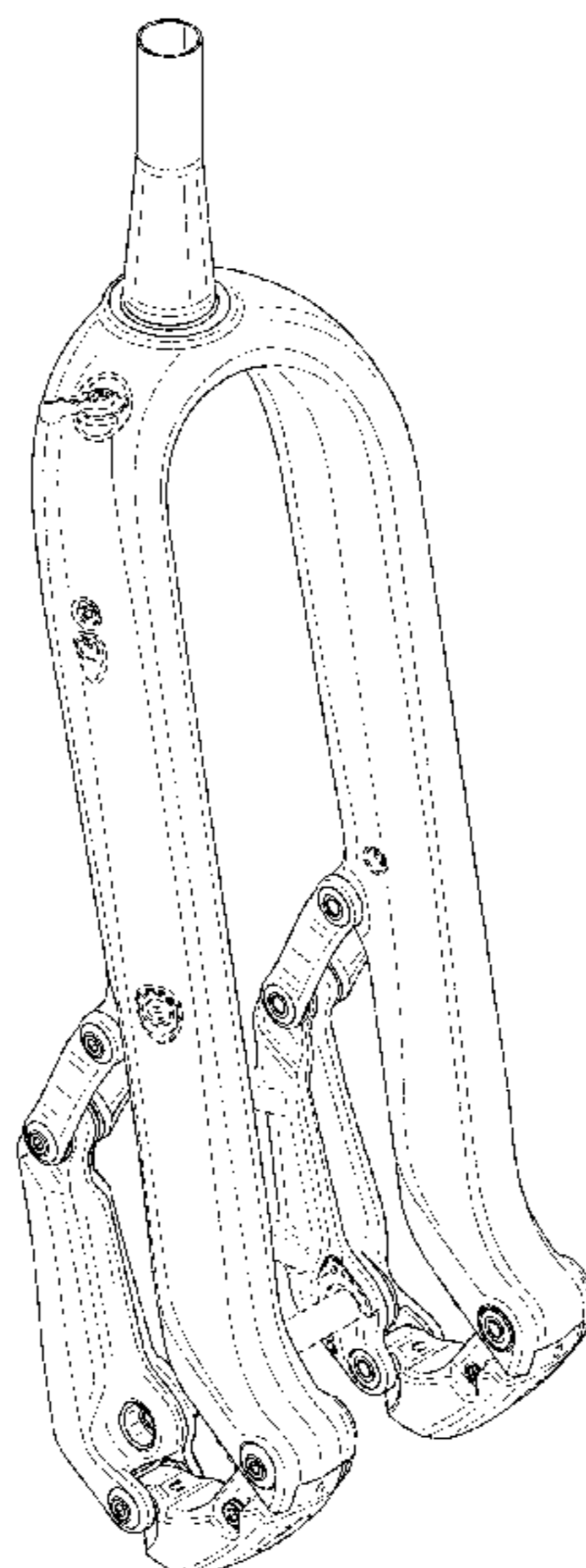
DESCRIPTION

(56) **References Cited**
U.S. PATENT DOCUMENTS

389,200 A 9/1888 Clegg
393,387 A 11/1888 Norton
400,727 A 4/1889 Baudreau
412,322 A 10/1889 Copeland
414,048 A 10/1889 Hunter
423,471 A 3/1890 Easthope
426,402 A 4/1890 Torkelson
435,477 A 9/1890 Blackledge
441,649 A 12/1890 Dunlop
443,266 A 12/1890 Bell
444,639 A 1/1891 O'Neill
447,234 A 2/1891 Donnelly
467,794 A 1/1892 Ellis
468,643 A 2/1892 Clement

FIG. 1 is a top, front, and right side perspective view of a cycle suspension assembly showing our new design; FIG. 2 is a top, rear, and right side perspective view thereof; FIG. 3 is a front elevation view thereof; FIG. 4 is a rear elevation view thereof; FIG. 5 is a right side elevation view thereof; FIG. 6 is a left side elevation view thereof; FIG. 7 is a top plan view thereof; and, FIG. 8 is a bottom plan view thereof. The broken lines in the drawings illustrate portions of the cycle suspension assembly that form no part of the claimed design.

1 Claim, 7 Drawing Sheets



(56)

References Cited

U.S. PATENT DOCUMENTS

848,324 A	3/1907	Sager	2,969,992 A	1/1961	Hahn
913,961 A	3/1909	Levedahl	2,976,056 A	3/1961	Henry
927,989 A	7/1909	Meiser	3,083,038 A	3/1963	Moulton
940,245 A	11/1909	Gates	3,133,748 A	5/1964	Gunnerson
946,143 A	1/1910	Levedahl	3,433,318 A	3/1969	Packard
953,697 A	4/1910	Kuebodeaux	3,694,004 A	9/1972	Siebers
973,071 A	10/1910	Redmond	3,701,544 A	10/1972	Stankovich
979,674 A	12/1910	Kittle et al.	3,730,553 A	5/1973	Harman
980,999 A	1/1911	Pommer	3,774,935 A	11/1973	Aldrich
989,638 A	4/1911	Pilgrim	3,942,821 A	3/1976	Bock
1,000,115 A	8/1911	Oquist	3,944,254 A	3/1976	Inui
1,036,263 A	8/1912	Kittle	3,954,284 A	5/1976	Phillips et al.
1,042,480 A	10/1912	Ridgway	3,989,261 A	11/1976	Kawaguchi
1,077,105 A	10/1913	Stewart	4,057,264 A	11/1977	Suzuki et al.
1,096,417 A	5/1914	Ekstrom	4,147,371 A	4/1979	Morita et al.
1,101,614 A	6/1914	Bramham	4,153,237 A	5/1979	Supalla
1,132,829 A	3/1915	Cobb	4,159,123 A	6/1979	Petty
1,144,753 A	6/1915	Budroe	4,162,797 A	7/1979	McBride
1,166,156 A	12/1915	Shimmin	4,170,369 A	10/1979	Strutman
1,189,874 A	7/1916	Schickel	4,179,135 A	12/1979	Slater
1,203,927 A	11/1916	Stagni	4,180,280 A	12/1979	Doveri
1,213,995 A	1/1917	Anderson	4,184,695 A	1/1980	Roe et al.
1,223,572 A	4/1917	Drew	4,186,936 A	2/1980	Offenstadt et al.
1,227,634 A	5/1917	Lake	4,189,168 A	2/1980	Courtney
1,251,992 A	1/1918	Drew	4,212,481 A	7/1980	Ribi
1,254,798 A	1/1918	Harley	4,265,329 A	5/1981	de Cortanze
1,273,179 A	7/1918	Perry et al.	4,268,055 A	5/1981	Bell
1,298,958 A	4/1919	Johnston	4,295,658 A	10/1981	Kashima
1,333,449 A	3/1920	Russell	4,367,882 A	1/1983	Alexander et al.
1,365,524 A	1/1921	Mellantine	4,388,978 A	6/1983	Fior
1,397,850 A	11/1921	Yoxall et al.	4,401,316 A	8/1983	Miyakoshi et al.
1,432,376 A	10/1922	Wolff	4,406,475 A	9/1983	Miyakoshi et al.
1,452,436 A	4/1923	Pullin	4,410,196 A	10/1983	Ribi
1,475,044 A	11/1923	Bloom	4,421,337 A	12/1983	Pratt
1,517,146 A	11/1924	Bloom	4,422,662 A	12/1983	Inoue et al.
1,527,133 A	2/1925	Harley	4,433,850 A	2/1984	Miyakoshi et al.
1,605,680 A	11/1926	Merkel	4,433,851 A	2/1984	Miyakoshi et al.
1,834,308 A	12/1931	Harley	4,437,678 A	3/1984	Schultz
1,924,363 A	8/1933	Kanai	4,438,909 A	3/1984	Matsumoto
2,038,011 A	4/1936	Spiegler et al.	4,444,406 A	4/1984	Isono
2,073,736 A	3/1937	Duffy	4,455,032 A	6/1984	Kajikawa
2,087,299 A	7/1937	Pribil	4,480,711 A	11/1984	Satoh et al.
2,160,034 A	5/1939	Schwinn	4,520,892 A	6/1985	Satoh
2,203,342 A	6/1940	Sloman	4,526,249 A	7/1985	Parker
2,233,313 A	2/1941	Hazelroth	4,531,755 A	7/1985	Isono et al.
2,271,304 A	1/1942	Mulholland	4,533,153 A	8/1985	Tsunoda et al.
2,303,568 A	12/1942	McWhorter et al.	4,540,190 A	9/1985	Moulton
2,376,788 A	5/1945	Latscher-Latka	4,542,910 A	9/1985	Watanabe
2,462,711 A	2/1949	Barnett	4,561,669 A	12/1985	Simons
2,463,310 A	3/1949	Probst	4,570,963 A	2/1986	Isono
2,464,326 A	3/1949	MacGregor	4,572,534 A	2/1986	Heyl
2,475,774 A	7/1949	Benson	4,576,393 A	3/1986	Moulton et al.
2,485,484 A	10/1949	Dean	4,585,245 A	4/1986	Rose
2,486,430 A	11/1949	Moore	4,616,810 A	10/1986	Richardson et al.
2,489,821 A	11/1949	Ryder	4,625,985 A	12/1986	Nakano et al.
2,504,452 A	4/1950	Rostan	4,650,027 A	3/1987	de Cortanze
2,525,171 A	10/1950	Franks	4,660,683 A	4/1987	Hayashi et al.
2,537,679 A	1/1951	Kraeft	4,662,645 A *	5/1987	McMurtrey B62K 21/02 280/279
2,540,585 A	2/1951	Kranz	4,685,694 A	8/1987	Kouyama
2,543,991 A	3/1951	Schuricht	4,702,338 A	10/1987	Trema
2,550,876 A	5/1951	Spencer	4,703,839 A	11/1987	Yasuo et al.
2,561,156 A	7/1951	Thorkildsen	4,723,621 A	2/1988	Kawano et al.
2,588,889 A	3/1952	Sherwood	4,732,241 A	3/1988	Yoshida
2,596,411 A	5/1952	Jordan	4,738,468 A	4/1988	Baron
2,636,567 A	4/1953	Landrum	4,741,545 A	5/1988	Honma et al.
2,649,312 A	8/1953	Miller	4,742,884 A	5/1988	Ishikawa
2,660,455 A	11/1953	Douglas et al.	4,744,434 A	5/1988	Miyakoshi et al.
2,708,112 A	5/1955	Seddon et al.	4,770,434 A	9/1988	Pietro et al.
2,729,465 A	1/1956	Torre	4,775,163 A	10/1988	McGowan et al.
2,751,991 A	6/1956	Mennesson	4,776,609 A	10/1988	Pan et al.
2,752,167 A	6/1956	Propst et al.	4,789,174 A	12/1988	Lawwill
2,756,070 A	7/1956	Torre	4,807,898 A	2/1989	Huntly
2,756,832 A	7/1956	Dalrymple	4,809,802 A	3/1989	Seino et al.
2,918,306 A	12/1959	Lewandoski	4,815,763 A	3/1989	Hartmann
2,953,395 A	9/1960	Turner	4,828,069 A	5/1989	Hatsuyama
			4,834,412 A	5/1989	Trema
			4,878,558 A	11/1989	Asakura
			4,881,750 A	11/1989	Hartmann

(56)

References Cited

U.S. PATENT DOCUMENTS

4,890,857 A	1/1990	de Cortanze	6,164,675 A	12/2000	Pickering
4,971,344 A	11/1990	Turner	6,199,885 B1	3/2001	Seidl
4,993,734 A	2/1991	Trema	6,244,609 B1	6/2001	Wilson
4,997,197 A	3/1991	Shultz	6,260,869 B1	7/2001	Hanlon et al.
5,009,451 A	4/1991	Hayashi et al.	6,260,870 B1	7/2001	Fan
5,042,608 A	8/1991	Horiike et al.	6,263,994 B1	7/2001	Eitel
5,050,699 A	9/1991	Savard	6,336,647 B1	1/2002	Iwai et al.
5,064,212 A	11/1991	Yun	6,352,276 B1 *	3/2002	Hill B62K 21/02 280/279
5,069,303 A	12/1991	Fuller	6,357,775 B1	3/2002	Iwai et al.
5,069,467 A	12/1991	Claudio	6,371,263 B1	4/2002	Hoose
5,088,705 A	2/1992	Tsai	6,382,374 B1	5/2002	Iwai et al.
D326,249 S *	5/1992	Chance D12/118	6,386,567 B1	5/2002	Schonfeld
5,133,223 A	7/1992	Morri	6,402,175 B1	6/2002	Jansson
5,156,231 A	10/1992	Trema	D464,003 S *	10/2002	Chen D12/118
5,186,481 A	2/1993	Turner	6,457,732 B2	10/2002	Ito et al.
5,193,832 A	3/1993	Wilson et al.	6,485,043 B2	11/2002	Ito et al.
5,193,833 A	3/1993	Reisinger	6,488,300 B2	12/2002	Ito et al.
5,195,766 A	3/1993	Dohrmann et al.	D470,440 S *	2/2003	Rose D12/118
5,219,211 A	6/1993	Tsuchida et al.	6,517,095 B1	2/2003	Lansac et al.
5,248,159 A	9/1993	Moore	6,517,096 B2	2/2003	Yih
D340,434 S *	10/1993	Hammer D12/118	6,533,305 B1	3/2003	Falk
5,249,650 A	10/1993	Tanaka	D494,108 S *	8/2004	Liao D12/118
5,269,549 A	12/1993	Wilson et al.	6,783,140 B1	8/2004	Huang
5,284,352 A	2/1994	Chen	6,789,810 B2	9/2004	Strong
5,299,820 A	4/1994	Lawwill	6,896,276 B1	5/2005	Sparrow
5,308,099 A	5/1994	Browning	D506,708 S *	6/2005	Conte D12/118
5,310,203 A	5/1994	Chen	6,908,092 B2	6/2005	Kofuji et al.
5,320,374 A	6/1994	Farris et al.	6,910,702 B1	6/2005	Hals
5,328,196 A	7/1994	Ohma	6,918,605 B2	7/2005	Wada et al.
5,350,185 A	9/1994	Robinson	6,994,365 B2	2/2006	Kofuji
5,354,085 A	10/1994	Gally	7,011,325 B2	3/2006	Kinzler et al.
5,359,910 A	11/1994	Chang et al.	D521,420 S *	5/2006	Cobb D12/118
5,361,864 A	11/1994	Tanaka	7,140,627 B2	11/2006	Wimmer
5,380,026 A	1/1995	Robinson	7,159,883 B2	1/2007	Mydlarz
5,403,028 A	4/1995	Trimble	D542,718 S *	5/2007	Costa D12/118
5,405,159 A	4/1995	Klein et al.	7,210,695 B2	5/2007	Griffiths
5,409,248 A	4/1995	Williams	7,331,594 B2	2/2008	Wimmer
5,413,368 A	5/1995	Pong et al.	7,350,787 B2	4/2008	Voss
5,417,446 A	5/1995	Pileggi	7,364,178 B2	4/2008	Wimmer
5,427,208 A	6/1995	Motobu et al.	7,425,008 B2	9/2008	Pokrywka
5,427,397 A	6/1995	Chonan	7,425,009 B2	9/2008	Namazue et al.
5,429,380 A	7/1995	Lawwill	7,434,823 B2	10/2008	Robinson et al.
5,431,426 A	7/1995	Ijams et al.	7,441,622 B2	10/2008	Costa
5,441,291 A	8/1995	Girvin, III	7,591,474 B1 *	9/2009	French B62K 21/02 280/279
5,449,155 A	9/1995	MacK	7,635,141 B2	12/2009	O'Connor
5,456,480 A	10/1995	Turner et al.	7,699,330 B2	4/2010	Chen
5,462,302 A	10/1995	Leitner	7,708,296 B2	5/2010	Becker et al.
D368,054 S *	3/1996	Behrens D12/118	7,744,107 B2	6/2010	Chen
5,498,013 A	3/1996	Hwang	7,887,077 B2	2/2011	Thiers
5,509,674 A	4/1996	Browning	7,896,379 B2	3/2011	Nagao et al.
5,509,676 A	4/1996	Fukutake et al.	D675,132 S *	1/2013	Colp D12/118
5,564,534 A	10/1996	Toyoda et al.	8,448,970 B1 *	5/2013	Vardon B62K 25/16 280/276
5,599,034 A	2/1997	Brigden	8,534,692 B2 *	9/2013	Trebichaysky B62K 25/24 280/277
5,743,547 A	4/1998	Voss et al.	8,672,106 B2 *	3/2014	Laird B62K 25/08 188/275
5,749,590 A	5/1998	Roerig	8,939,458 B2 *	1/2015	Nesbitt, III B62K 25/24 280/276
5,782,313 A	7/1998	Kurawaki et al.	9,248,883 B2 *	2/2016	D'Aluisio B62K 21/02
5,799,963 A	9/1998	Berkmann	D774,986 S *	12/2016	Salvioli Mariani D12/118
5,813,684 A	9/1998	Baron	9,758,210 B2 *	9/2017	Pye B62K 25/08
5,829,773 A	11/1998	Rajae	9,988,124 B2 *	6/2018	Kwaterski B62K 25/08
5,855,388 A	1/1999	Brewer	10,196,106 B1 *	2/2019	Weagle B62K 25/08
5,899,478 A	5/1999	Woodside	2001/0019197 A1	9/2001	Ito et al.
D411,147 S *	6/1999	Tsai D12/118	2002/0084619 A1	7/2002	Odom
5,908,200 A	6/1999	Stewart	2004/0036250 A1	2/2004	Kofuji
5,931,487 A	8/1999	Koppelberg et al.	2007/0257466 A1 *	11/2007	Murphy B62K 19/16 280/276
5,931,489 A	8/1999	Damman et al.	2008/0258424 A1	10/2008	Paul
5,951,033 A	9/1999	Winter et al.	2008/0296863 A1	12/2008	Heyl et al.
D415,449 S *	10/1999	Tsai D12/118			
6,017,047 A	1/2000	Hoose			
6,036,211 A	3/2000	Nohr			
6,047,981 A	4/2000	Burrows			
6,089,585 A	7/2000	Theobald			
6,149,173 A	11/2000	Bynoe			
6,152,472 A	11/2000	Woodside			
6,155,370 A	12/2000	Iwai et al.			
6,164,424 A	12/2000	Girvin et al.			

(56)

References Cited

U.S. PATENT DOCUMENTS

2008/0303242 A1 12/2008 O'Connor
2011/0012321 A1 1/2011 Chen

FOREIGN PATENT DOCUMENTS

CH 63758 A 2/1914
CN 302966622 S 10/2014
CN 303438302 S 11/2015
CN 303584666 S 2/2016
CN 303604532 S 3/2016
CN 304240449 S 8/2017
CN 304327156 S 10/2017
DE 1084599 B 6/1960
DE 1122392 B 1/1962
DE 3133576 A1 5/1983
DE 3223728 A1 12/1983
DE 8906328 U1 11/1989
DE 3833880 A1 4/1990
DE 4119339 A1 1/1992
DE 9404873 U1 5/1994
DE 9403640 U1 6/1994
DE 9414705 U1 2/1995
DE 19503047 A1 8/1996
DE 19635939 A1 6/1997
DE 19633692 A1 2/1998
DK 49600 C 12/1934
EP 0032170 B1 2/1986
EP 0030306 B1 4/1986
EP 0125244 B1 1/1987
EP 0399615 A2 11/1990
EP 420610 B1 2/1996
EP 726198 A2 8/1996
EP 0731017 B1 10/1997
EP 0941916 A1 9/1999
EP 0992374 A1 4/2000
EP 1049618 B1 9/2003
EP 728093 B2 11/2005
EP 02000398 A2 12/2008
EP 01884455 B1 4/2009
EP 2096024 A1 9/2009
EP 2100807 A1 9/2009
EP 2357098 A2 8/2011
EP 02001733 B1 12/2012
EP 2483141 B1 11/2013
EP 02913257 A1 9/2015
FR 347724 A 3/1905
FR 353990 A 9/1905
FR 350269 A 12/1905
FR 376759 A 8/1907
FR 467213 A 6/1914
FR 547006 A 11/1922
FR 559088 A 9/1923
FR 28240 E 1/1925
FR 636211 A 4/1928
FR 902973 A 9/1945
FR 972653 A 2/1951
FR 1030006 A 6/1953
FR 1032268 A 6/1953
FR 1059922 A 3/1954
FR 1064265 A 5/1954
FR 1067221 A 6/1954
FR 1082316 A 12/1954
FR 2418742 A1 9/1979

FR 2494208 A2 5/1982
FR 2687976 A1 9/1993
FR 2687976 B1 5/1994
FR 3004415 A1 10/2014
GB 166065 A 7/1921
GB 223638 A 10/1924
GB 238069 A 8/1925
GB 239848 A 12/1925
GB 258141 A 9/1926
GB 264003 A 1/1927
GB 279630 A 11/1927
GB 302026 A 12/1928
GB 322370 A 12/1929
GB 469697 A 7/1937
GB 585122 A 1/1947
GB 585904 A 2/1947
GB 586372 A 3/1947
GB 691551 A 5/1953
GB 717259 A 10/1954
GB 720093 A 12/1954
GB 824866 A 12/1959
GB 841523 A 7/1960
GB 1540824 A 2/1979
GB 1545403 A 5/1979
GB 2038736 A 7/1980
GB 2052407 A 1/1981
GB 2073680 A 10/1981
GB 2106843 A 4/1983
JP 63-112191 U 7/1988
JP 649887 U 1/1989
JP 1204884 A 8/1989
JP 5069875 A 3/1993
JP 05-020635 Y2 5/1993
JP 1999091671 A 4/1999
JP 2000159170 A 6/2000
JP 2000159171 A 6/2000
JP 2000159177 A 6/2000
JP 2000159178 A 6/2000
JP 2000168666 A 6/2000
TW 416920 B 1/2001
TW 568054 U 12/2003
TW 596028 6/2004
TW D111693 7/2006
TW M335458 U 7/2008
TW M354565 U 4/2009
TW D140125 4/2011
TW D149623 10/2012
WO WO-82/00445 A1 2/1982
WO WO-84/00526 A1 2/1984
WO WO-87/01670 A1 3/1987
WO WO-95/23728 A1 9/1995
WO WO-97/46443 A1 12/1997
WO WO-00/013961 A1 3/2000

OTHER PUBLICATIONS

Color photograph of Armstrong bicycle, Applicant's Internal Files.
Black and white photograph of Scorpion motorcycle, Applicant's internal files.
Black and white photograph of Silencer motorcycle, Applicant's internal files.
Color Photograph of a Cotton TC-70 motorcycle, Applicant's internal files.
Black and white photograph of Greeves trials machine, Applicant's internal files.

* cited by examiner

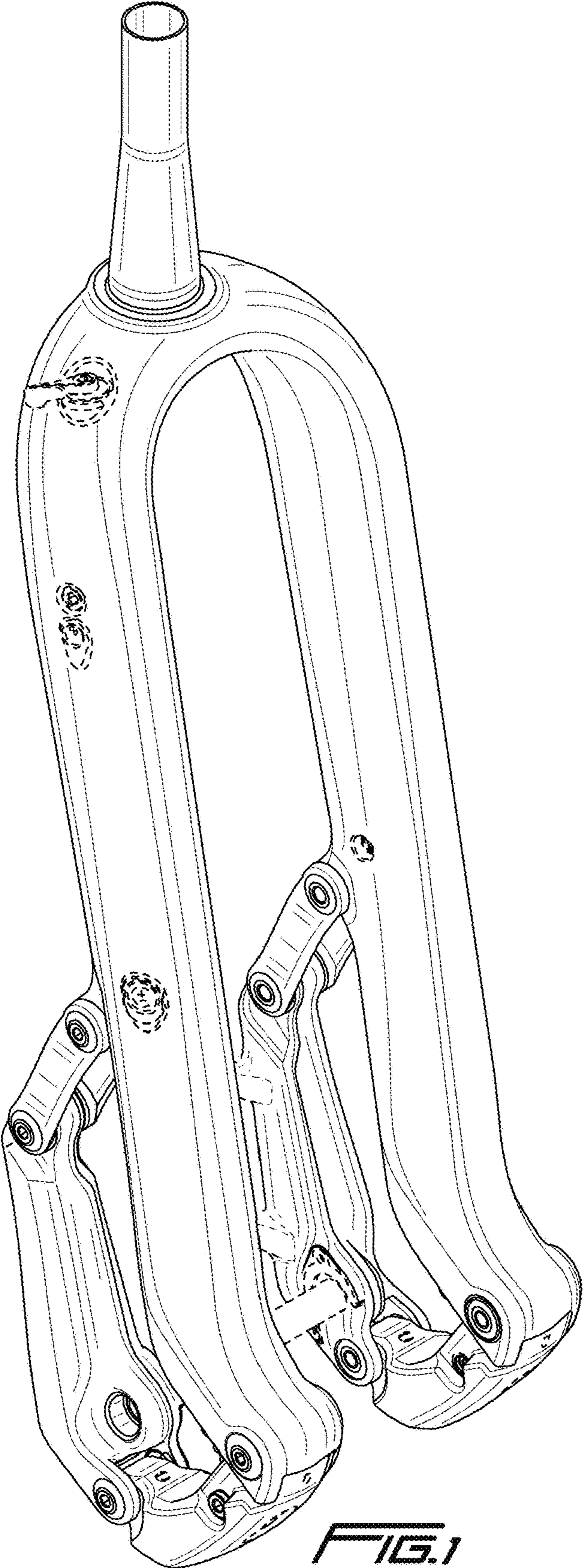


FIG. 1

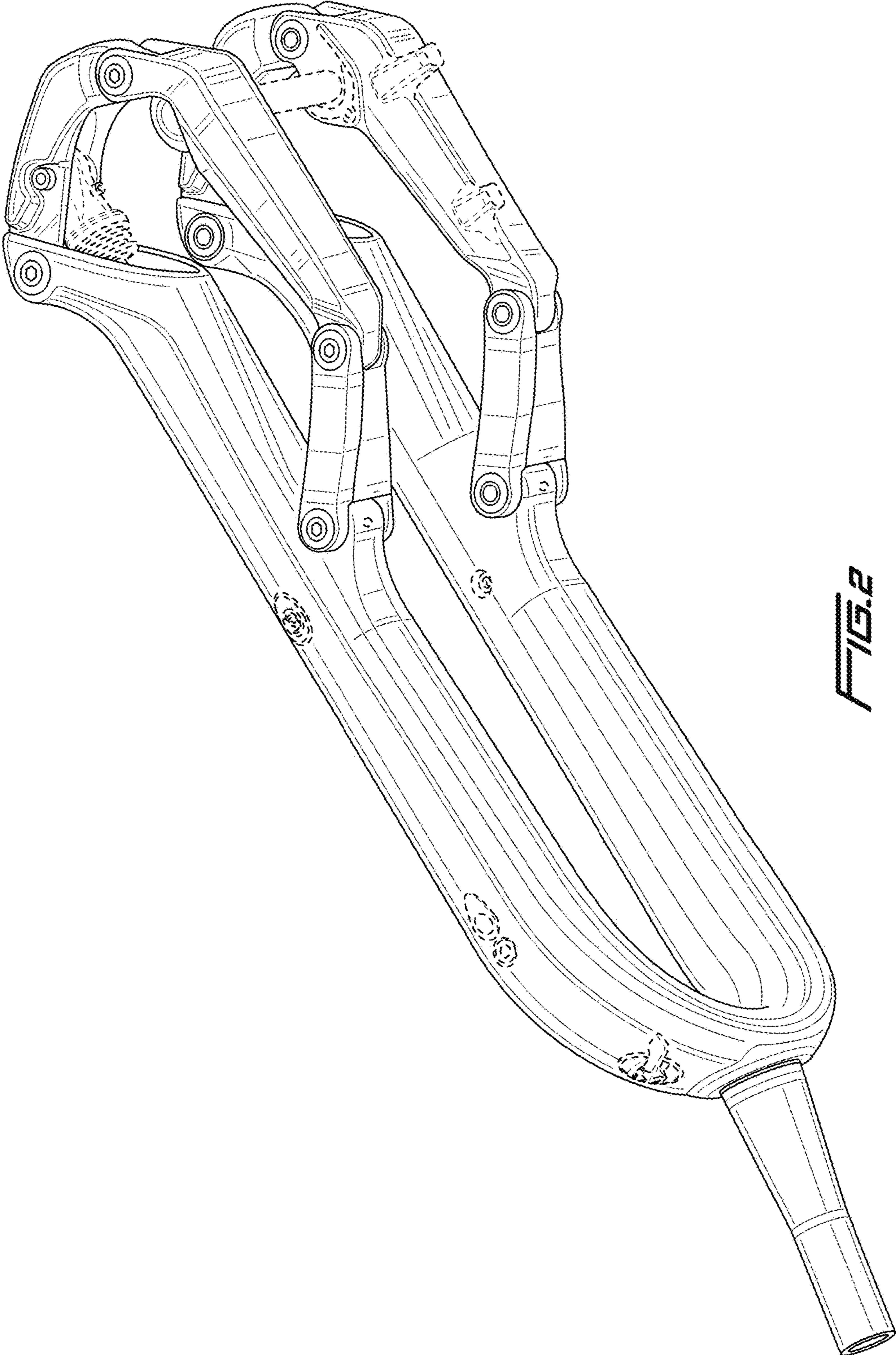


FIG. 2

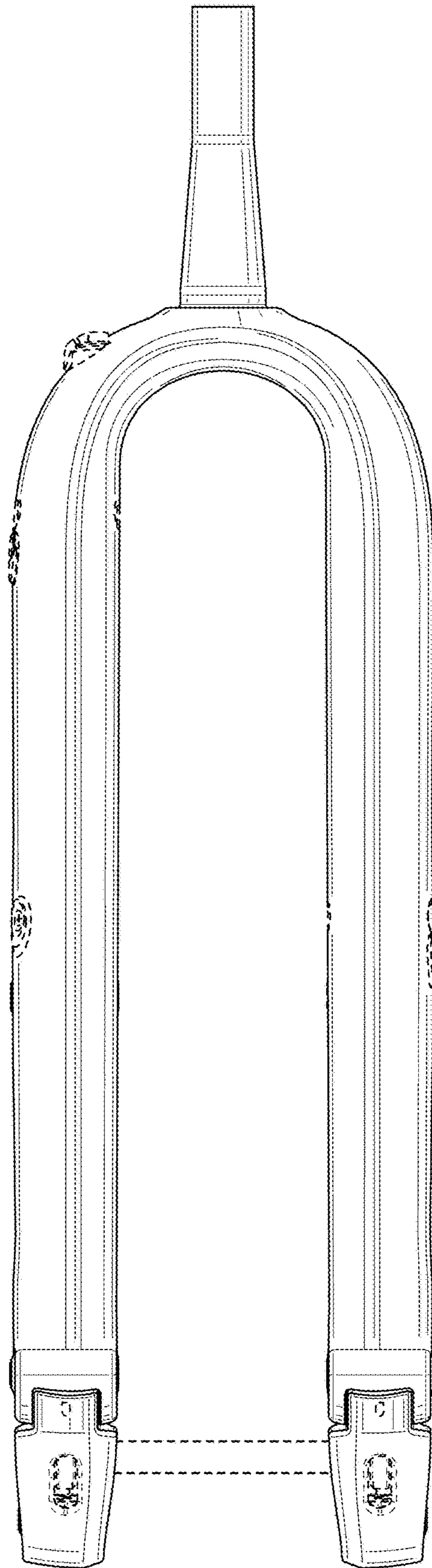


FIG. 3

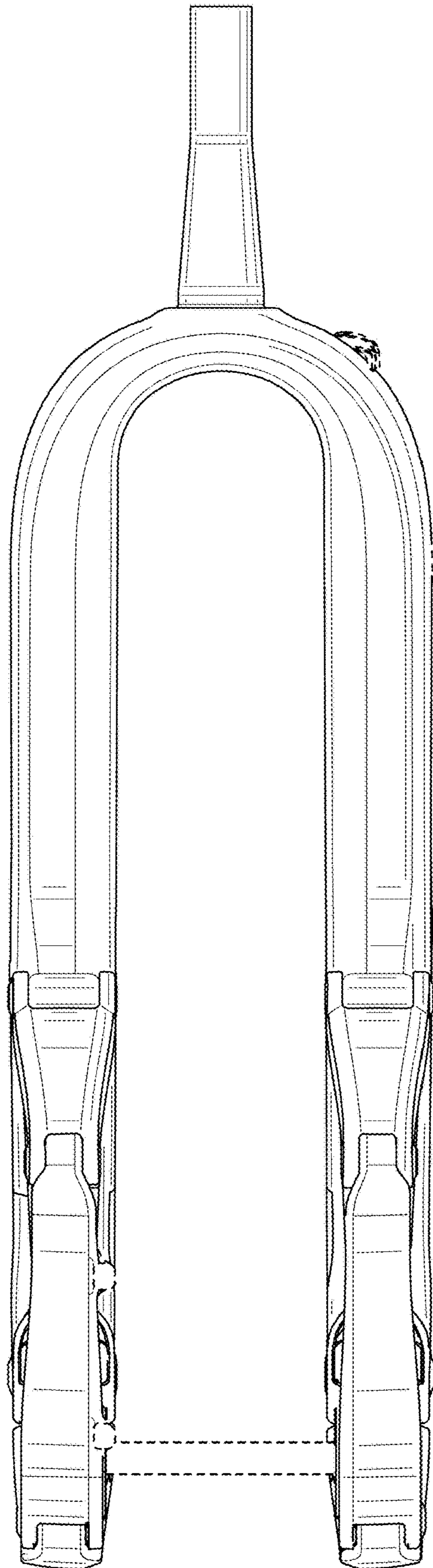


FIG. 4

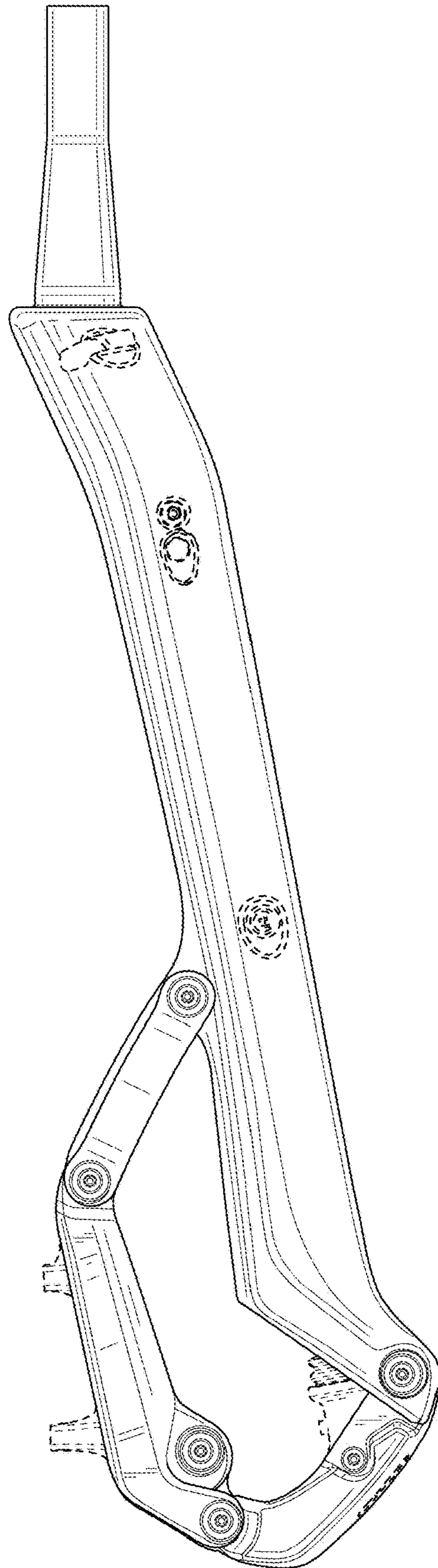


FIG. 5

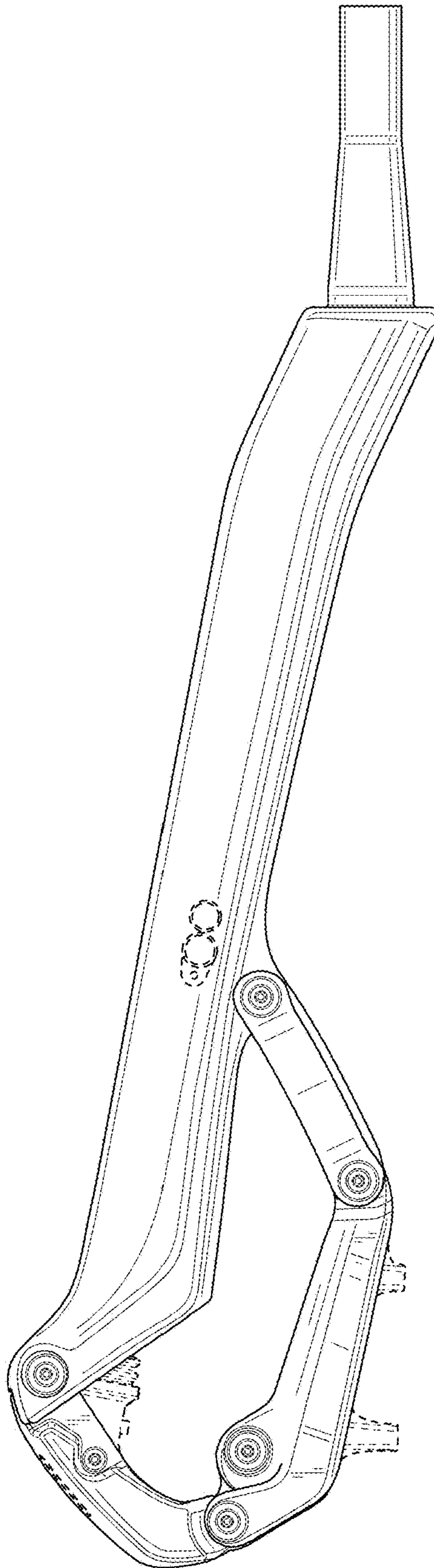


FIG. 6

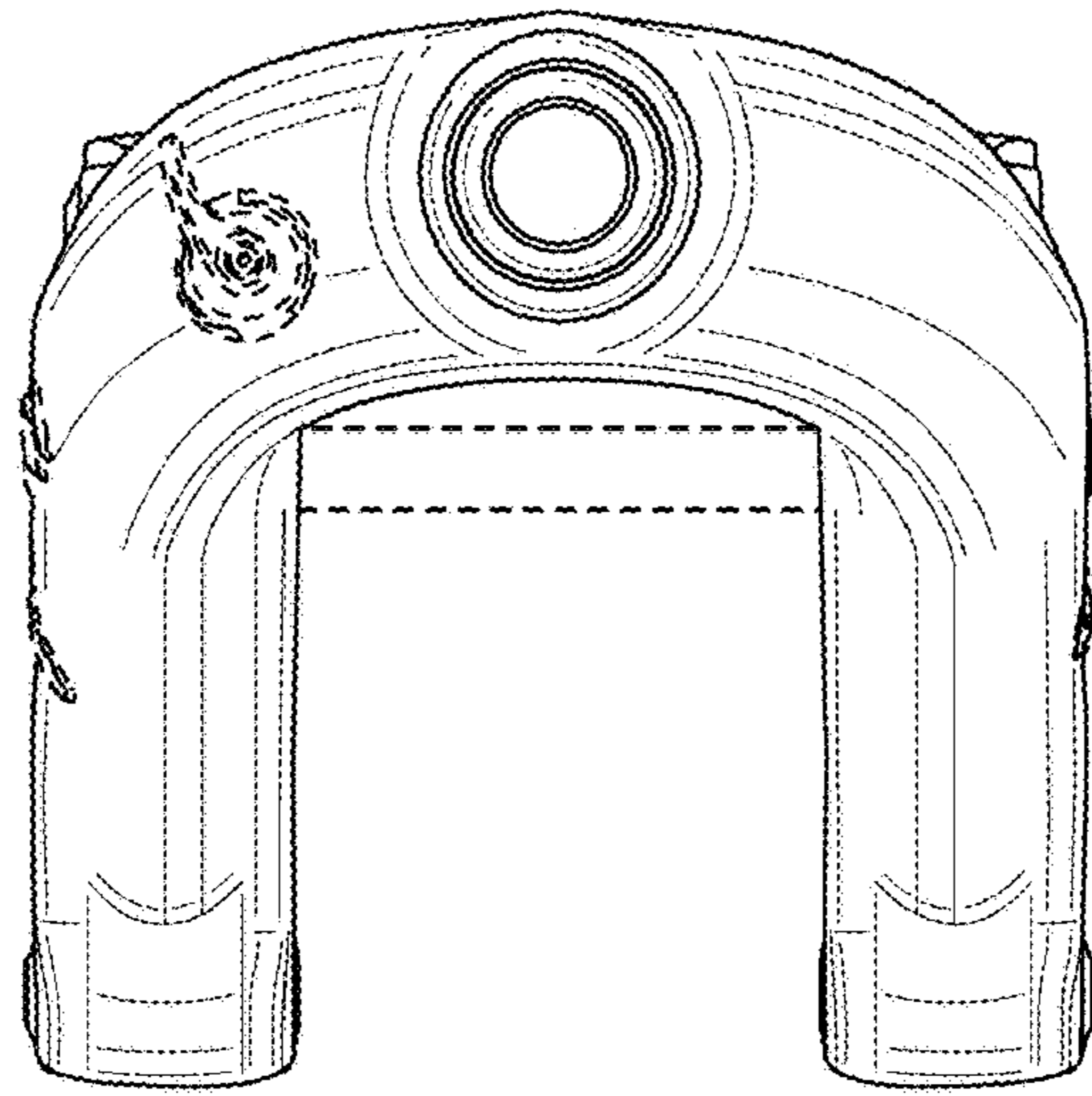


FIG. 7

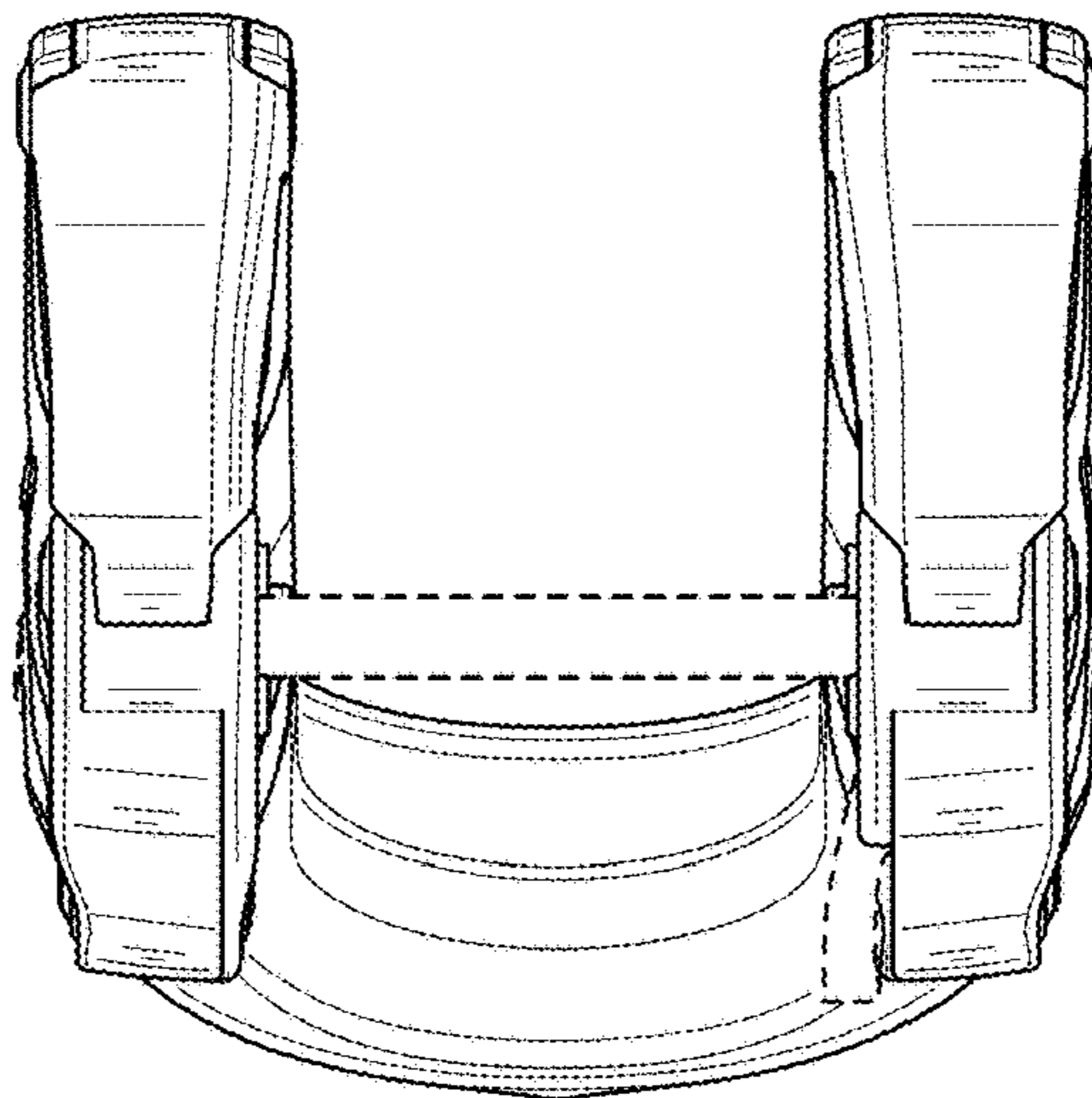


FIG. 8