

US00D860060S

(12) **United States Design Patent** (10) **Patent No.:** **US D860,060 S**  
**Luman** (45) **Date of Patent:** **\*\* Sep. 17, 2019**

(54) **COVER FOR A BICYCLE CHAINRING**  
(71) Applicant: **SRAM, LLC**, Chicago, IL (US)  
(72) Inventor: **Nathan Luman**, Oak Park, IL (US)  
(73) Assignee: **SRAM, LLC**, Chicago, IL (US)  
(\*\*) Term: **15 Years**  
(21) Appl. No.: **29/639,932**  
(22) Filed: **Mar. 9, 2018**  
(51) **LOC (12) Cl.** ..... **12-11**  
(52) **U.S. Cl.**  
USPC ..... **D12/114**  
(58) **Field of Classification Search**  
USPC ..... D12/114, 115, 111, 117, 127, 126,  
D12/122-124; D8/397  
CPC ..... B62M 1/36; B62M 3/00; B62M 3/16  
See application file for complete search history.

(56) **References Cited**

**U.S. PATENT DOCUMENTS**

D215,681 S *	10/1969	Wolf	.....	D12/127
D299,221 S *	1/1989	Borromeo	.....	D12/123
5,179,873 A *	1/1993	Girvin	.....	B62K 19/20 280/259
D357,216 S *	4/1995	Davidson	.....	D12/126
D364,836 S *	12/1995	Schlangen	.....	74/609
5,609,070 A *	3/1997	Lin	.....	B62M 3/16 74/558.5
5,623,856 A *	4/1997	Durham	.....	B62M 3/00 74/579 R
D430,075 S *	8/2000	Kirimoto	.....	D12/123
D432,055 S *	10/2000	Kirimoto	.....	D12/123
D485,791 S *	1/2004	Mombrinie	.....	D12/123
D579,825 S *	11/2008	Arakawa	.....	D12/123
D580,303 S *	11/2008	Okada	.....	D12/123
D580,305 S *	11/2008	New	.....	D12/127
D589,409 S *	3/2009	Toyoshima	.....	D12/123

D600,166 S *	9/2009	Tokumoto	.....	D12/123
D610,049 S *	2/2010	Curran	.....	D12/123
D617,689 S *	6/2010	Curran	.....	D12/123
D733,009 S *	6/2015	Woods	.....	D12/123
D751,950 S *	3/2016	Sgreva	.....	D12/123
D756,271 S *	5/2016	Sgreva	.....	D12/123
9,423,310 B2 *	8/2016	Tetsuka	.....	G01L 5/13
2003/0066383 A1 *	4/2003	Jiang	.....	B62M 3/00 74/594.1
2005/0050986 A1 *	3/2005	Zeng	.....	B62M 3/00 74/594.1
2011/0247455 A1 *	10/2011	Densmore	.....	B62J 23/00 74/612

(Continued)

*Primary Examiner* — Michelle E. Wilson  
*Assistant Examiner* — Clese Moore, Jr.

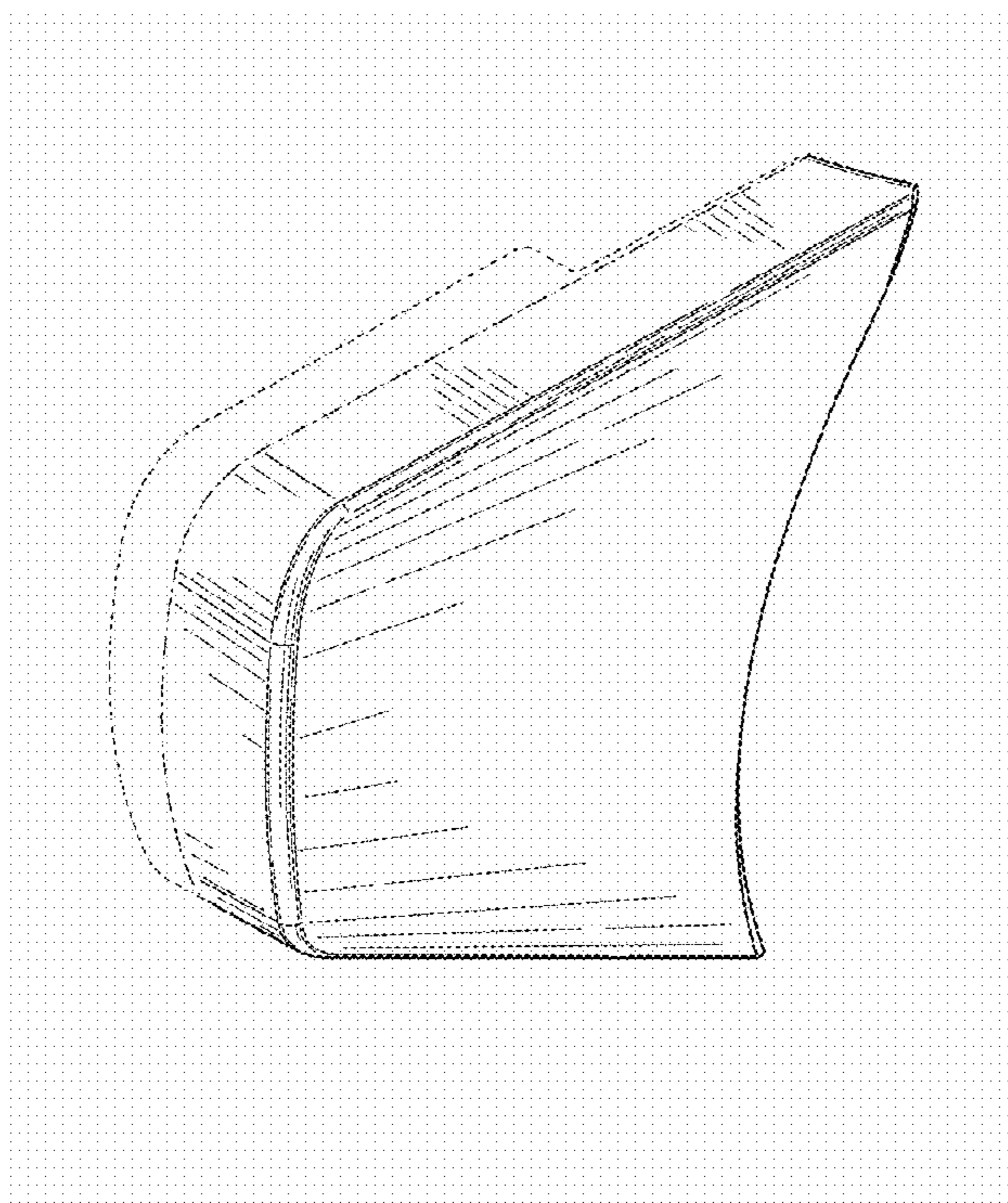
(57) **CLAIM**

The ornamental design for a cover for a bicycle chainring, as shown and described.

**DESCRIPTION**

FIG. 1 is an isometric view of a top, front, and left side view of an ornamental design for a cover for a bicycle chainring; FIG. 2 is a front elevational view of the cover of FIG. 1; FIG. 3 is a rear elevational view of the cover of FIG. 1; FIG. 4 is a right side elevational view of the cover of FIG. 1; FIG. 5 is a left side elevational view of the cover of FIG. 1; FIG. 6 is a top plan view of the cover of FIG. 1; FIG. 7 is a bottom plan view of the cover of FIG. 1; and, FIG. 8 is a front elevational view of the cover of FIG. 1 attached to a bicycle chainring and crankarm. The dash-dash-dash lines are included for the purpose of illustrating portions of the cover that form no part of the claimed design. The dash-dot-dash lines are included for the purpose of illustrating boundary lines and form no part of the claimed design.

**1 Claim, 5 Drawing Sheets**



(56)

**References Cited**

U.S. PATENT DOCUMENTS

2014/0182413 A1\* 7/2014 Yamanaka ..... B62M 3/00  
74/594.1  
2018/0057106 A1\* 3/2018 Iwai ..... B62M 3/00

\* cited by examiner

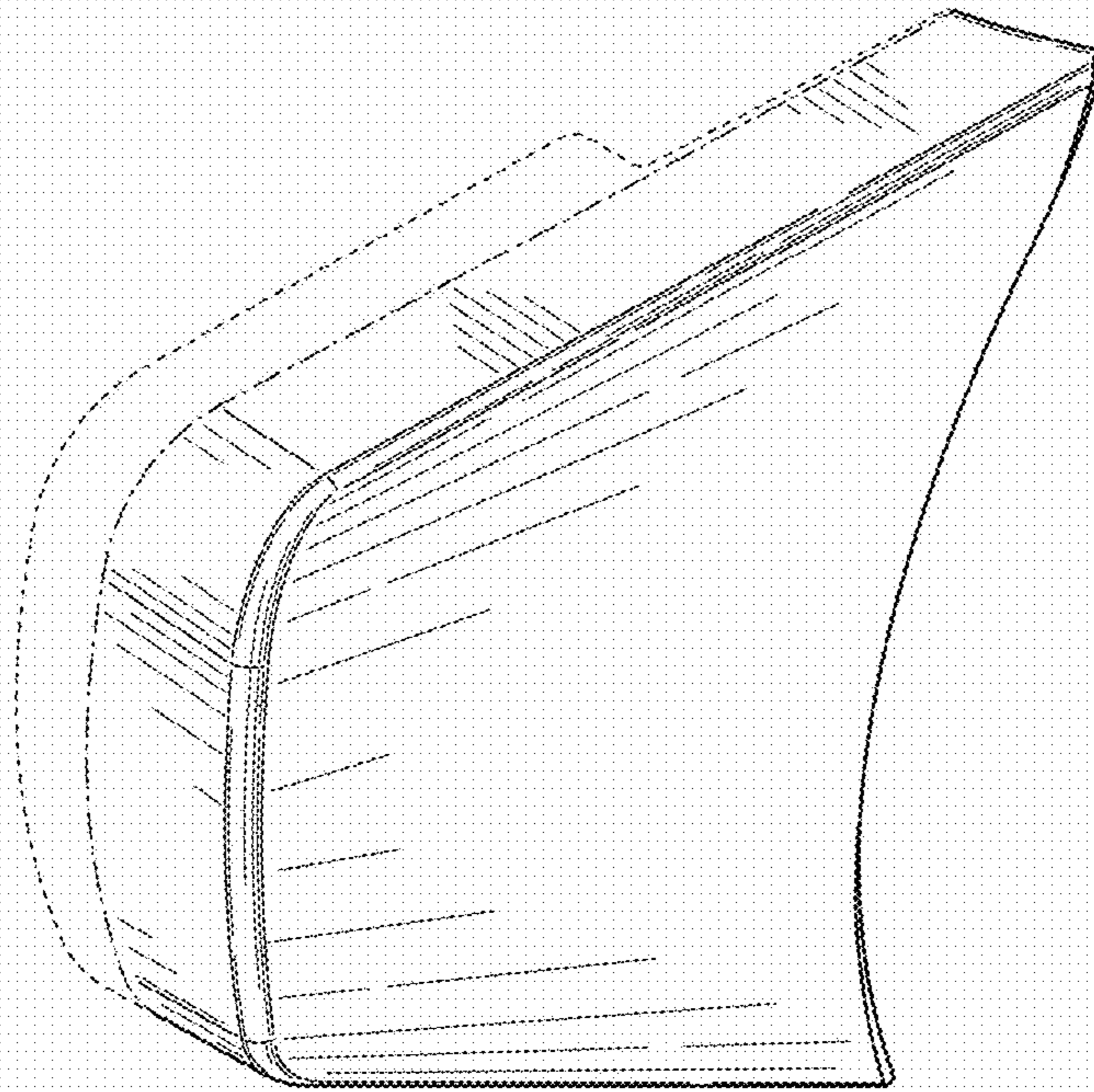


FIG. 1

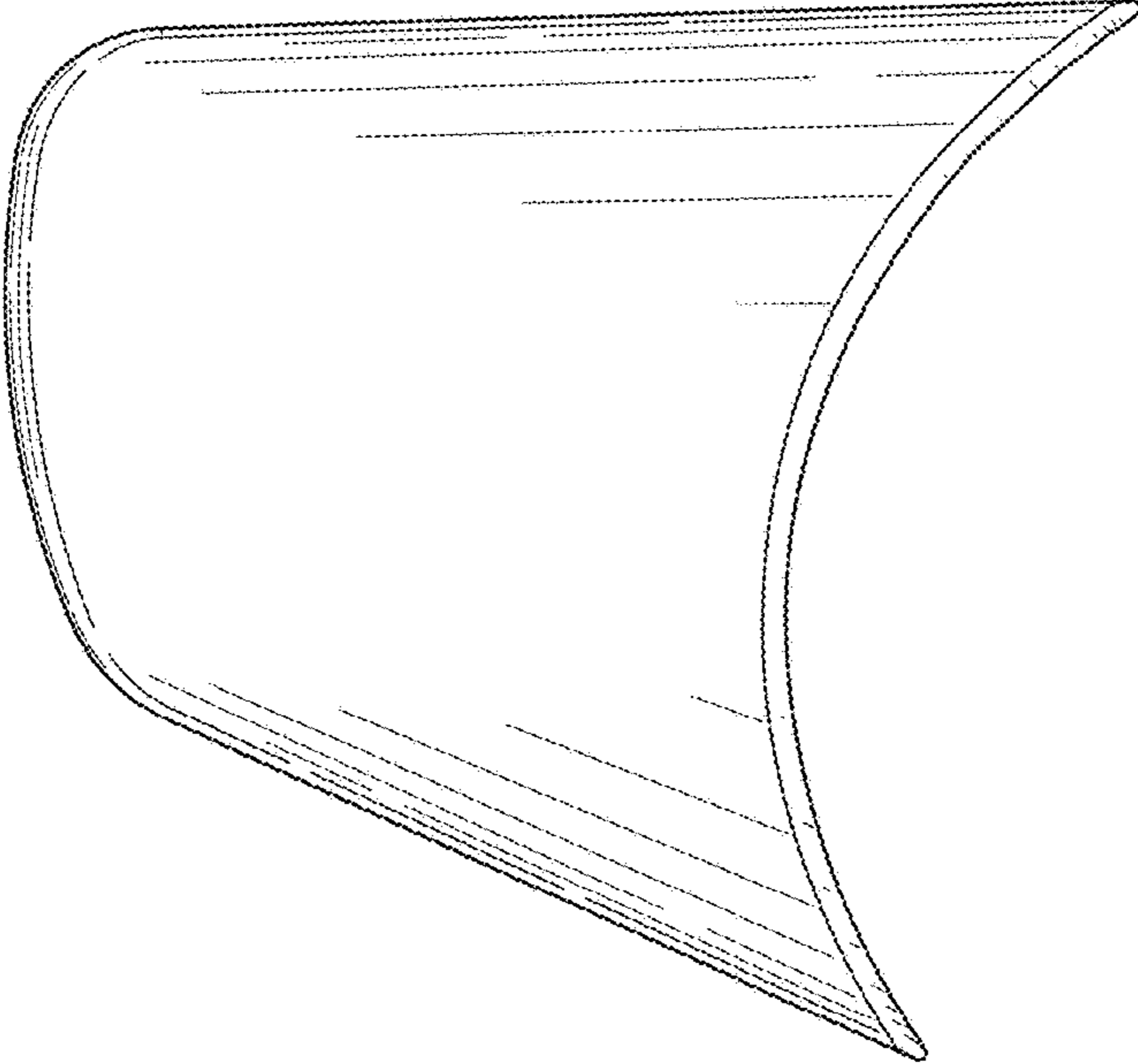


FIG. 2

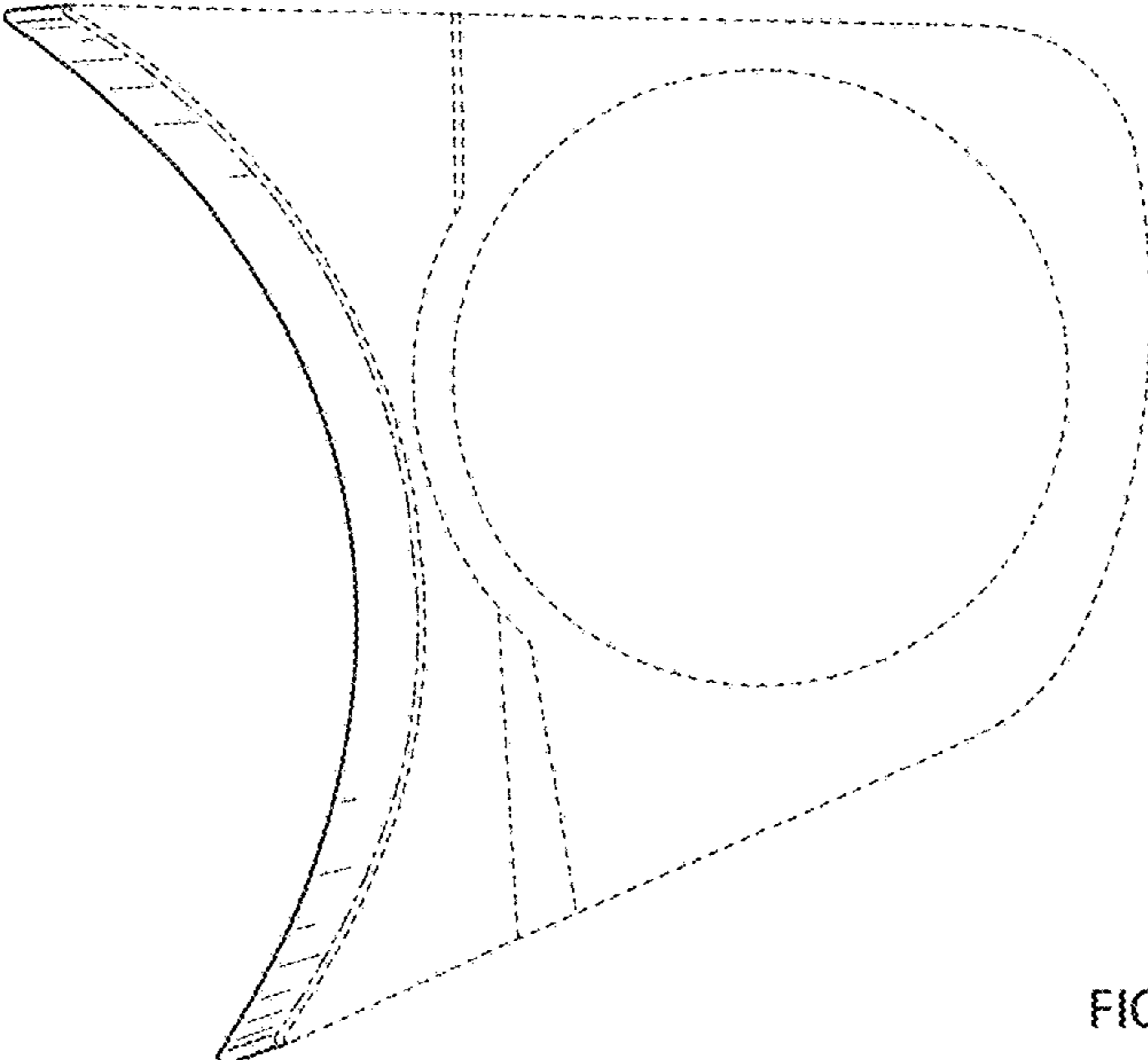


FIG. 3

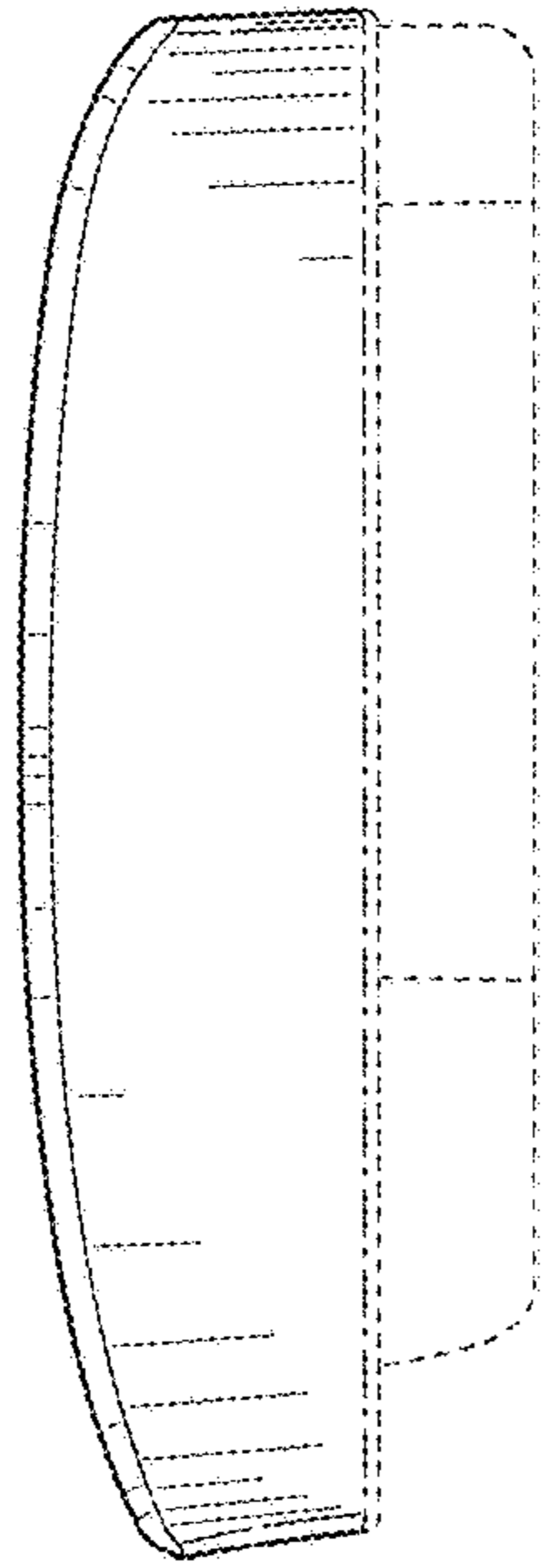


FIG . 4

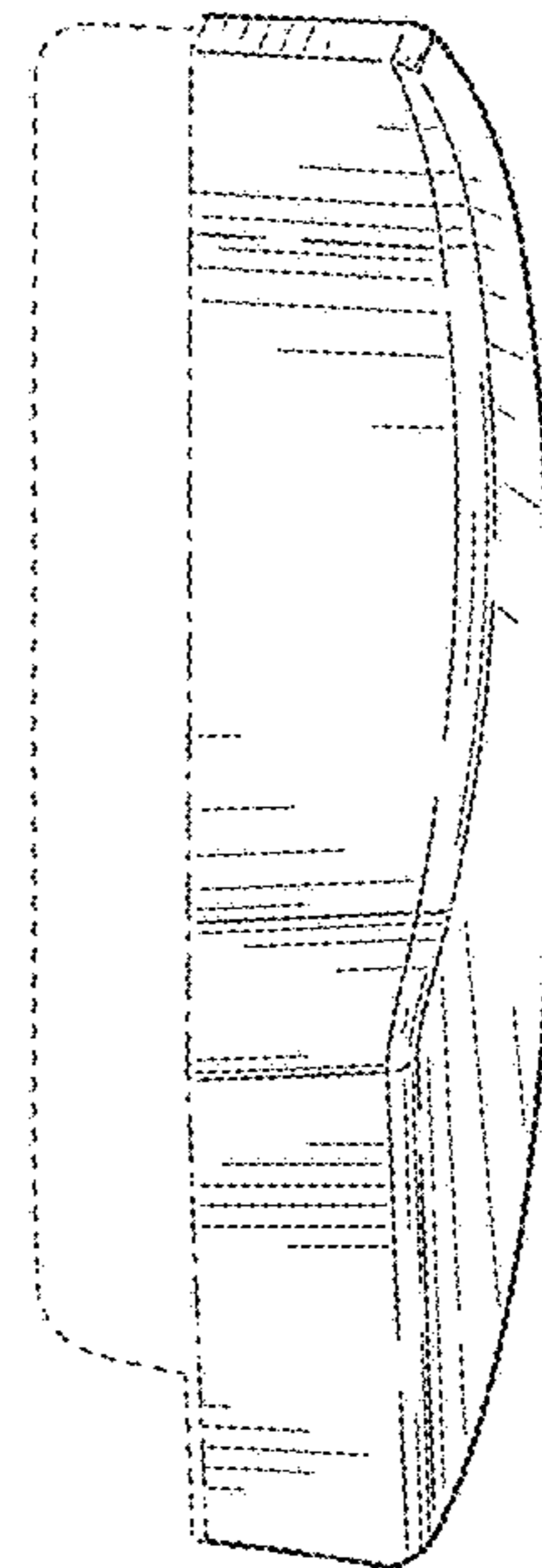


FIG . 5

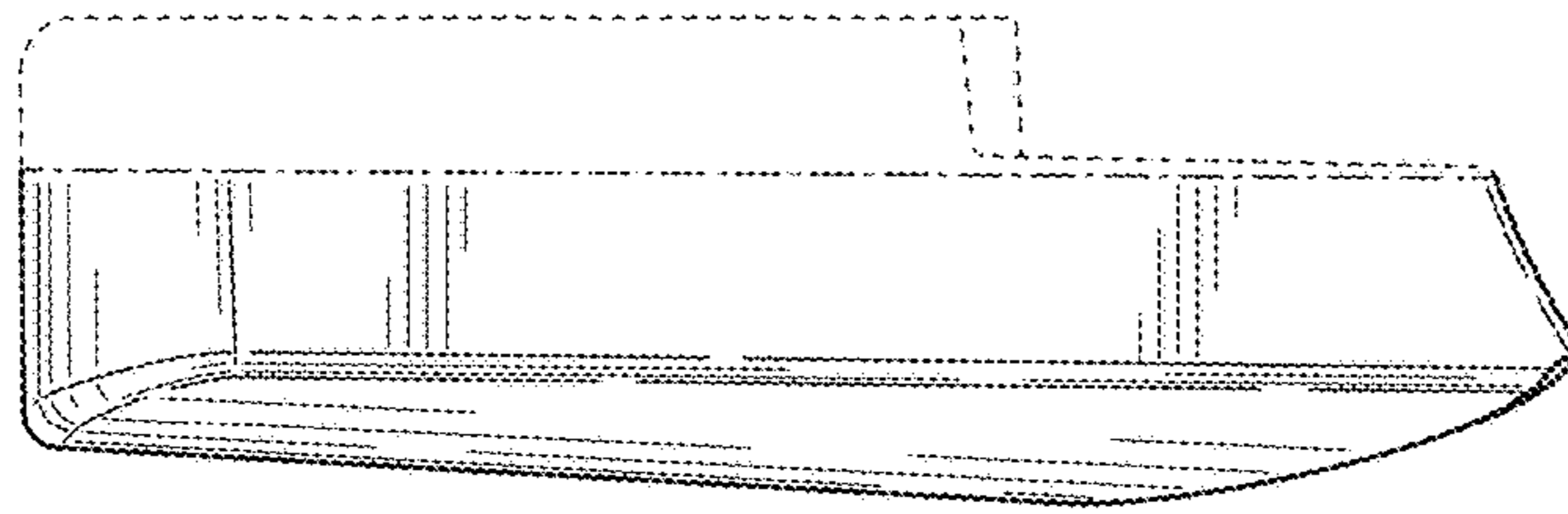


FIG. 6

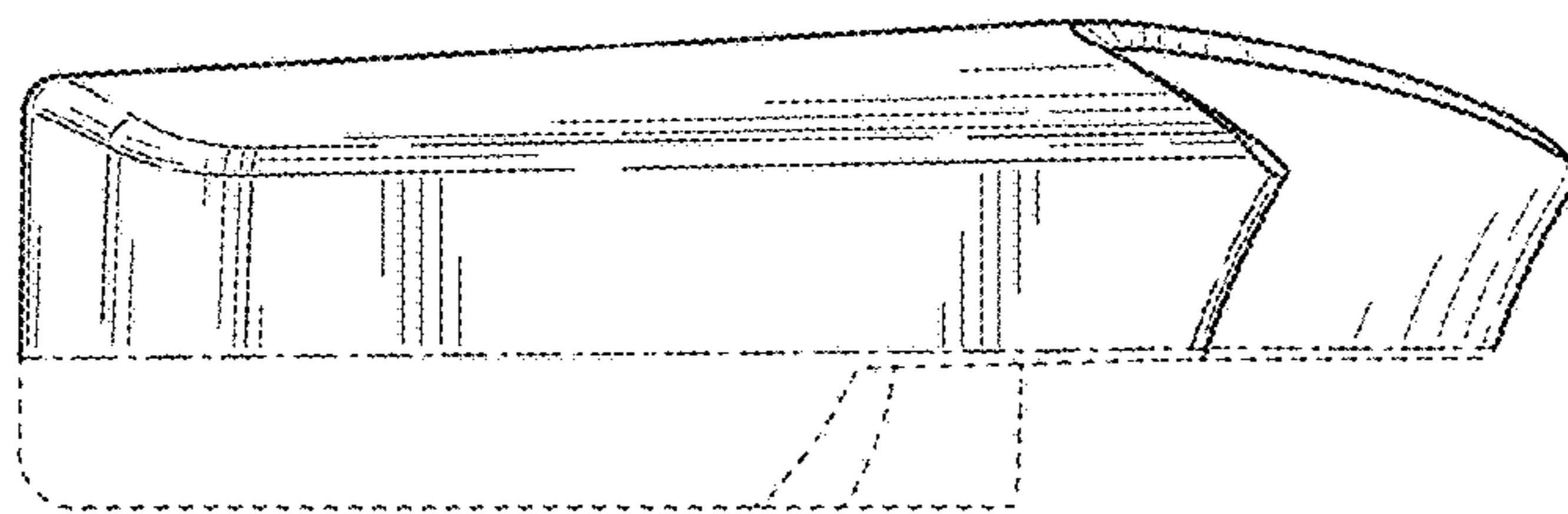


FIG. 7

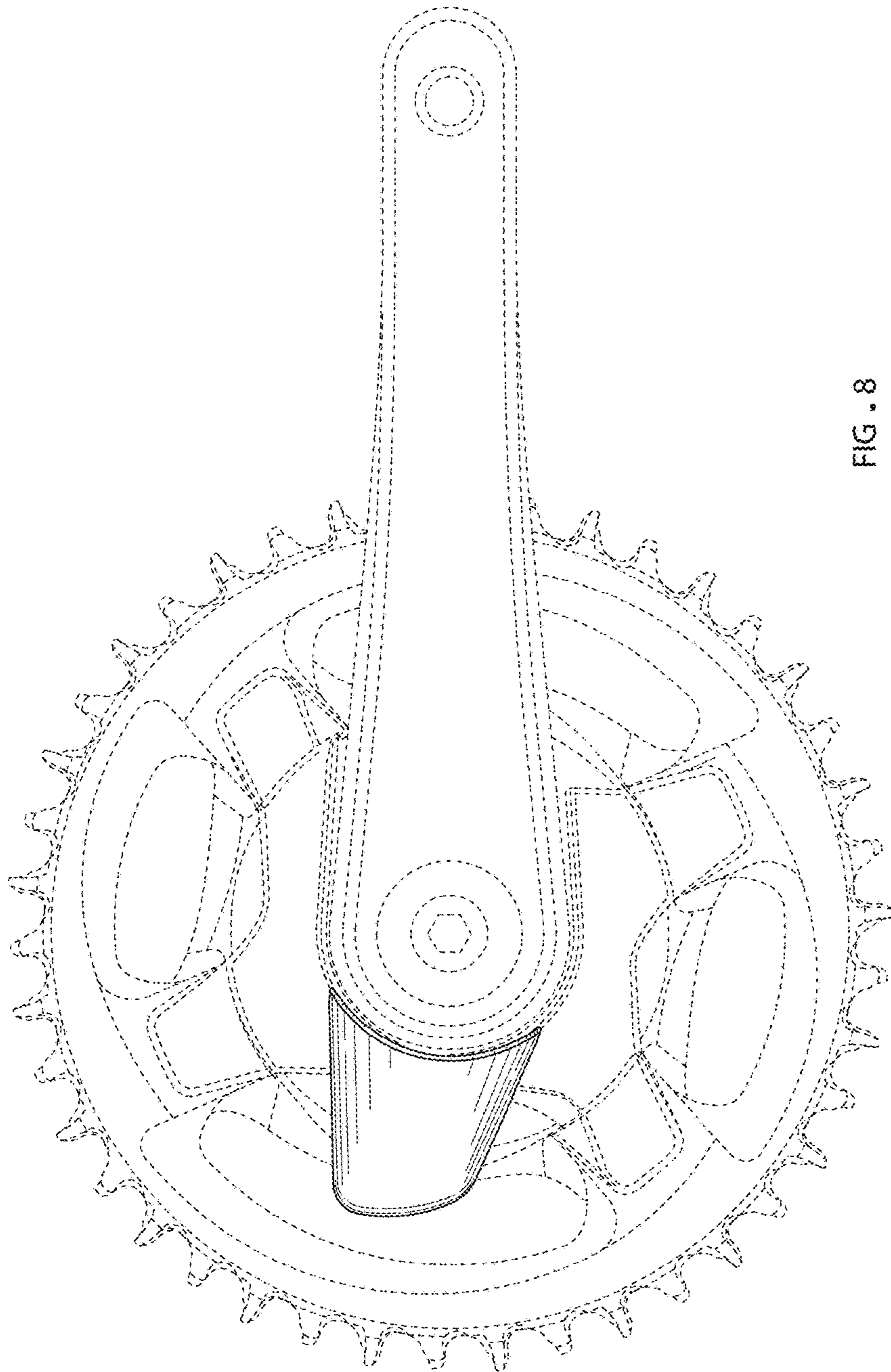


FIG. 8