



US00D860058S

(12) **United States Design Patent** (10) **Patent No.:** **US D860,058 S**
Norfleet et al. (45) **Date of Patent:** **** Sep. 17, 2019**

(54) **SAFETY BUMPER FOR A TRAILER TAILGATE**

(71) Applicant: **Backsaver International, Inc.**, Somerset, KY (US)

(72) Inventors: **Ralph Norfleet**, Somerset, KY (US); **Jason Norfleet**, Somerset, KY (US)

(73) Assignee: **BACKSAVER INTERNATIONAL, INC.**, Somerset, KY (US)

(**) Term: **15 Years**

(21) Appl. No.: **29/635,482**

(22) Filed: **Jan. 31, 2018**

(51) **LOC (12) Cl.** **12-10**

(52) **U.S. Cl.**
USPC **D12/106**

(58) **Field of Classification Search**
USPC D12/106; D8/382, 402, 403; D14/217; D25/48.8, 102
CPC .. B62B 5/0006; B62D 5/0055; E04F 19/0486
See application file for complete search history.

(56) **References Cited**

U.S. PATENT DOCUMENTS

D221,958 S *	9/1971	Finebaum	D8/403
3,725,188 A *	4/1973	Kalt	A47B 95/043 206/326
D231,430 S	4/1974	Steinhauser	
D259,083 S	5/1981	Riegsecker	
D282,732 S *	2/1986	Luthe	D12/167
D299,018 S *	12/1988	Wilkins	D12/167
D301,953 S *	7/1989	Evenson	D8/349
5,037,027 A	8/1991	Nichols	
D325,835 S *	5/1992	Sollner	D14/217
D356,945 S	4/1995	Kinner	
6,036,155 A *	3/2000	Tsui	B60R 19/02 248/345.1

D431,772 S *	10/2000	Tsui	D8/403
D460,263 S	7/2002	Bradford	
D465,033 S	10/2002	Messier et al.	
D571,644 S	6/2008	Ilang	
D574,382 S *	8/2008	Tsukahara	D14/315
D625,595 S *	10/2010	Park	D8/402
D707,985 S *	7/2014	Keever	D6/606
D795,467 S	8/2017	Mort	
D801,798 S *	11/2017	Teng	D8/403
D814,358 S *	4/2018	Norfleet	D12/106
D844,426 S *	4/2019	Mueller	D8/403
2008/0066404 A1 *	3/2008	Beard, Jr.	E04F 19/0486 52/287.1
2008/0149649 A1 *	6/2008	Knupfer	B62B 5/0006 220/694

OTHER PUBLICATIONS

USPTO; Notice of Allowance in U.S. Appl. No. 29/564,004, dated Jan. 22, 2018.

* cited by examiner

Primary Examiner — Darlington Ly

(74) *Attorney, Agent, or Firm* — King & Schickli, PLLC

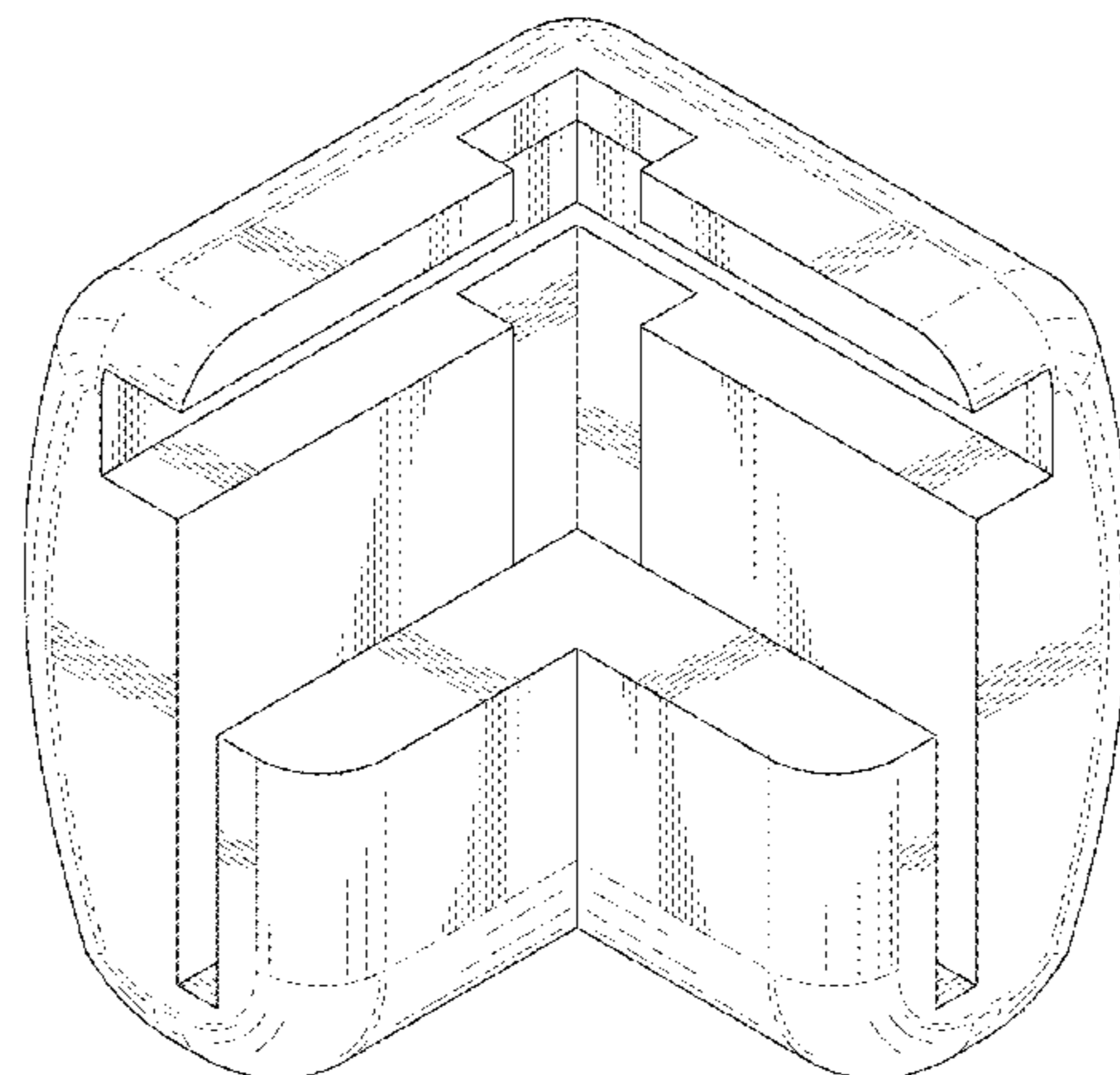
(57) **CLAIM**

The ornamental design for a safety bumper for a trailer tailgate, as shown and described.

DESCRIPTION

FIG. 1 is a top perspective view of a safety bumper for a trailer tailgate showing our new design; FIG. 2 is a bottom perspective view thereof; FIG. 3 is a front elevation view thereof; FIG. 4 is a right side elevation view thereof; FIG. 5 is a rear elevation view thereof; FIG. 6 is a left side elevation view thereof; FIG. 7 is a top plan view thereof; and, FIG. 8 is a bottom plan view thereof.

1 Claim, 8 Drawing Sheets



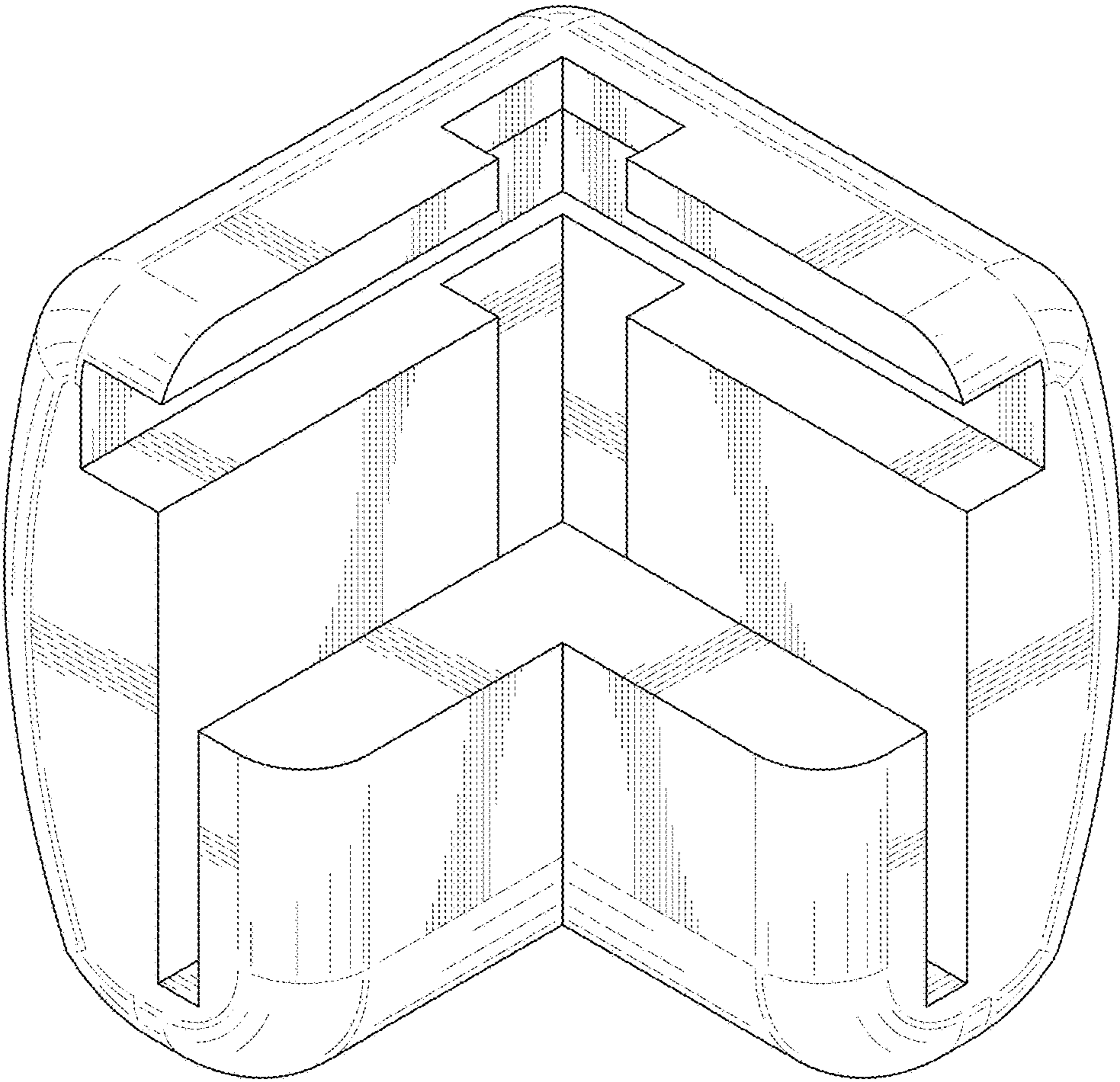


FIG. 1

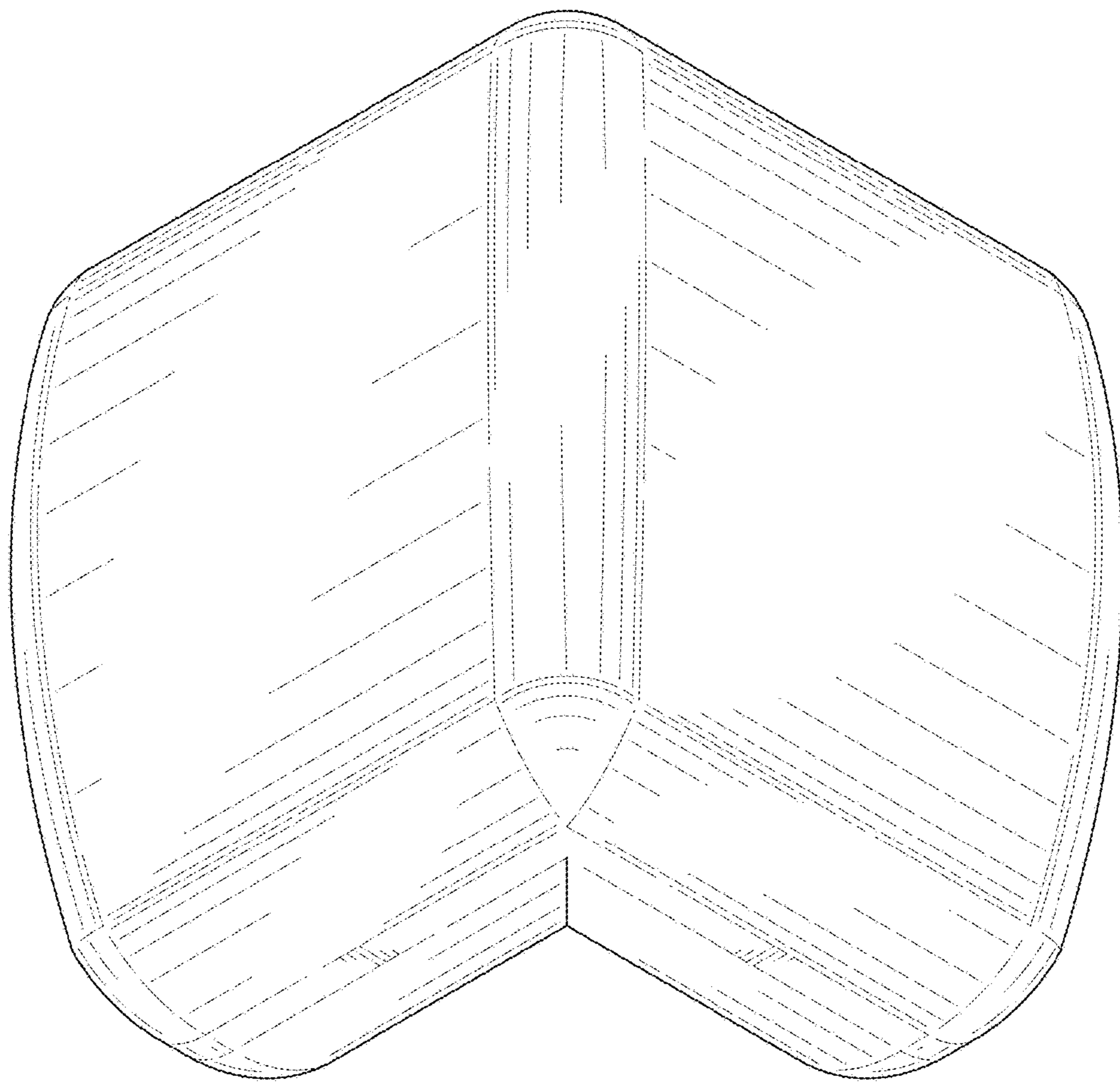


FIG. 2

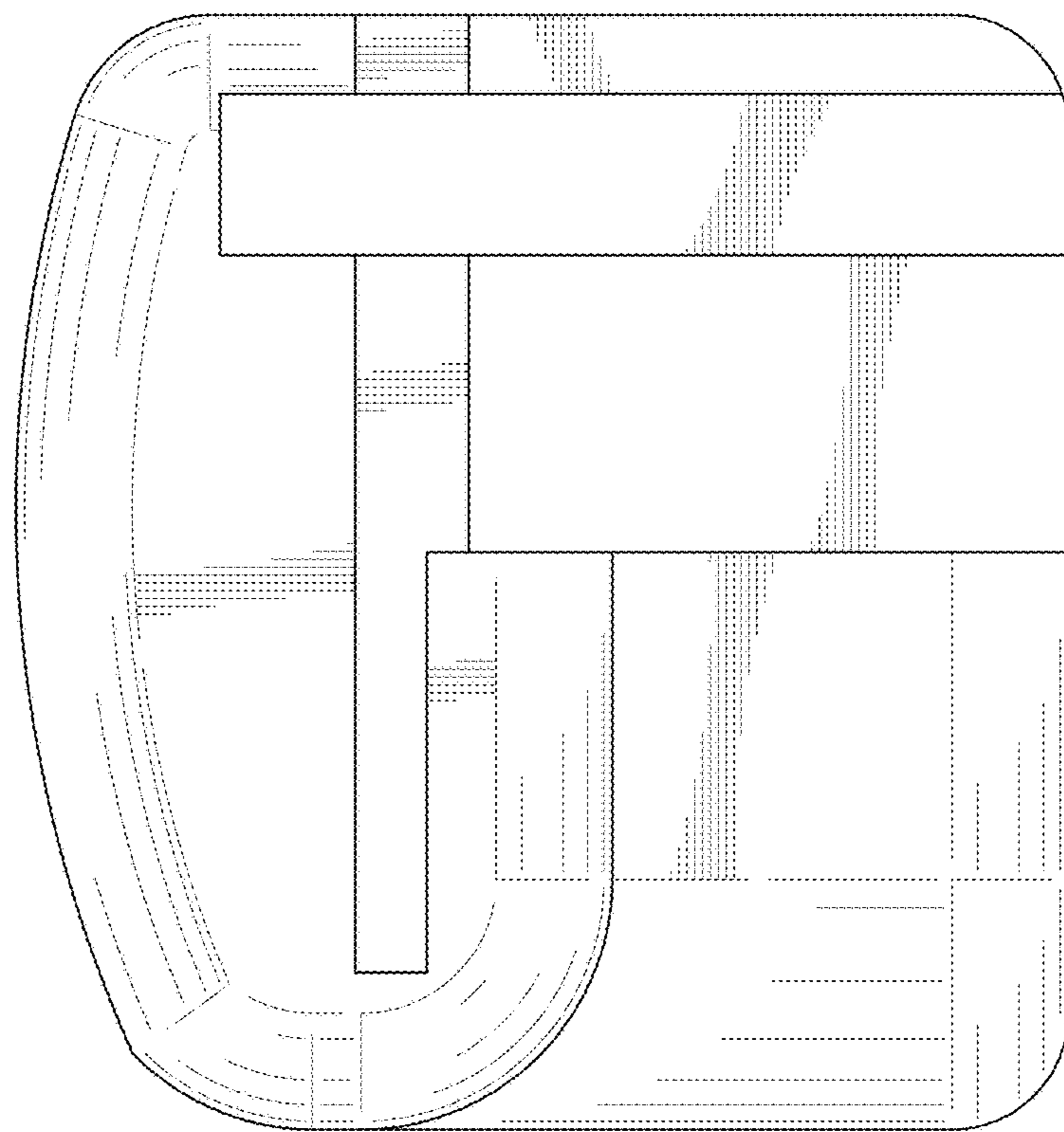


FIG. 3

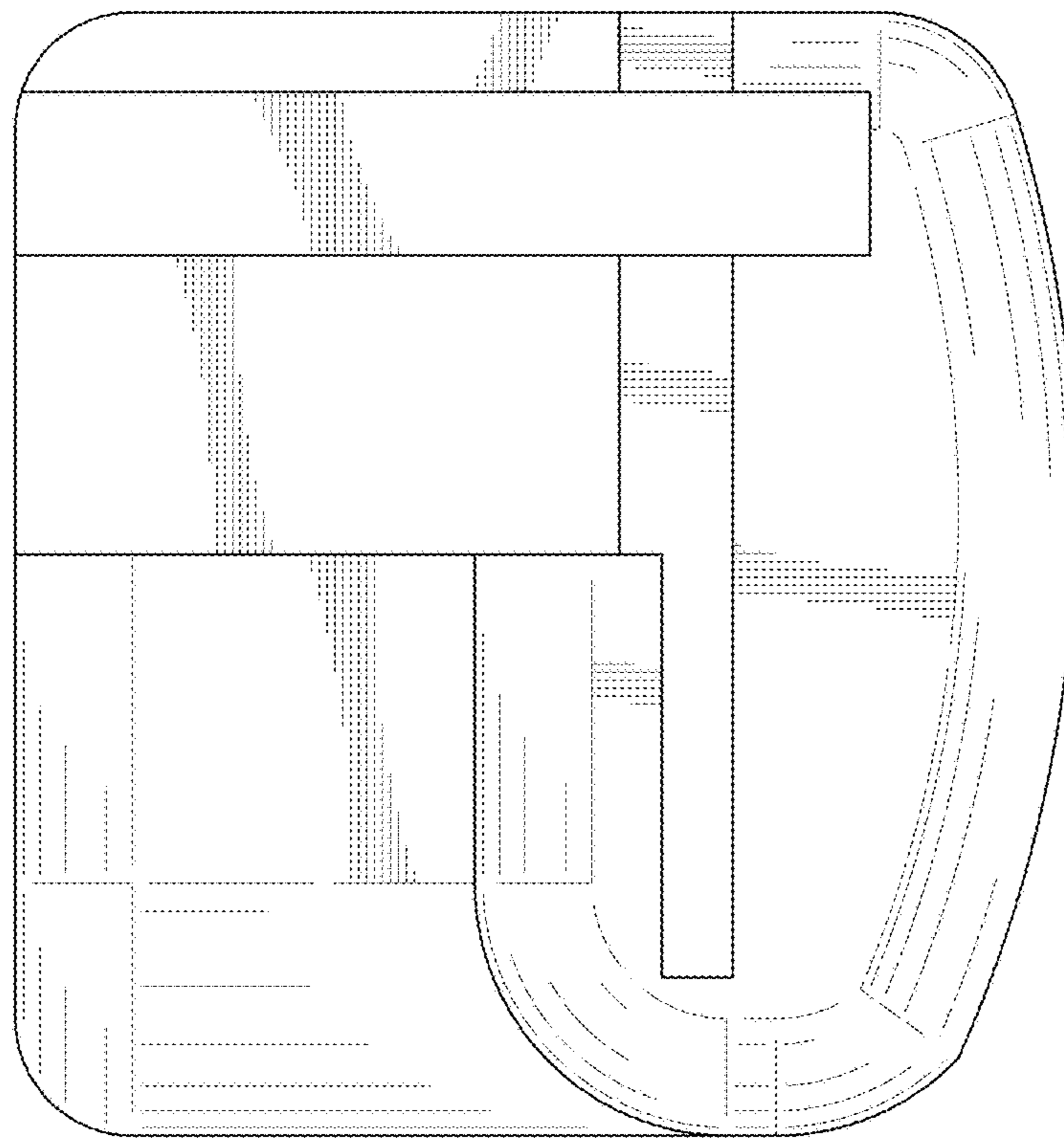


FIG. 4

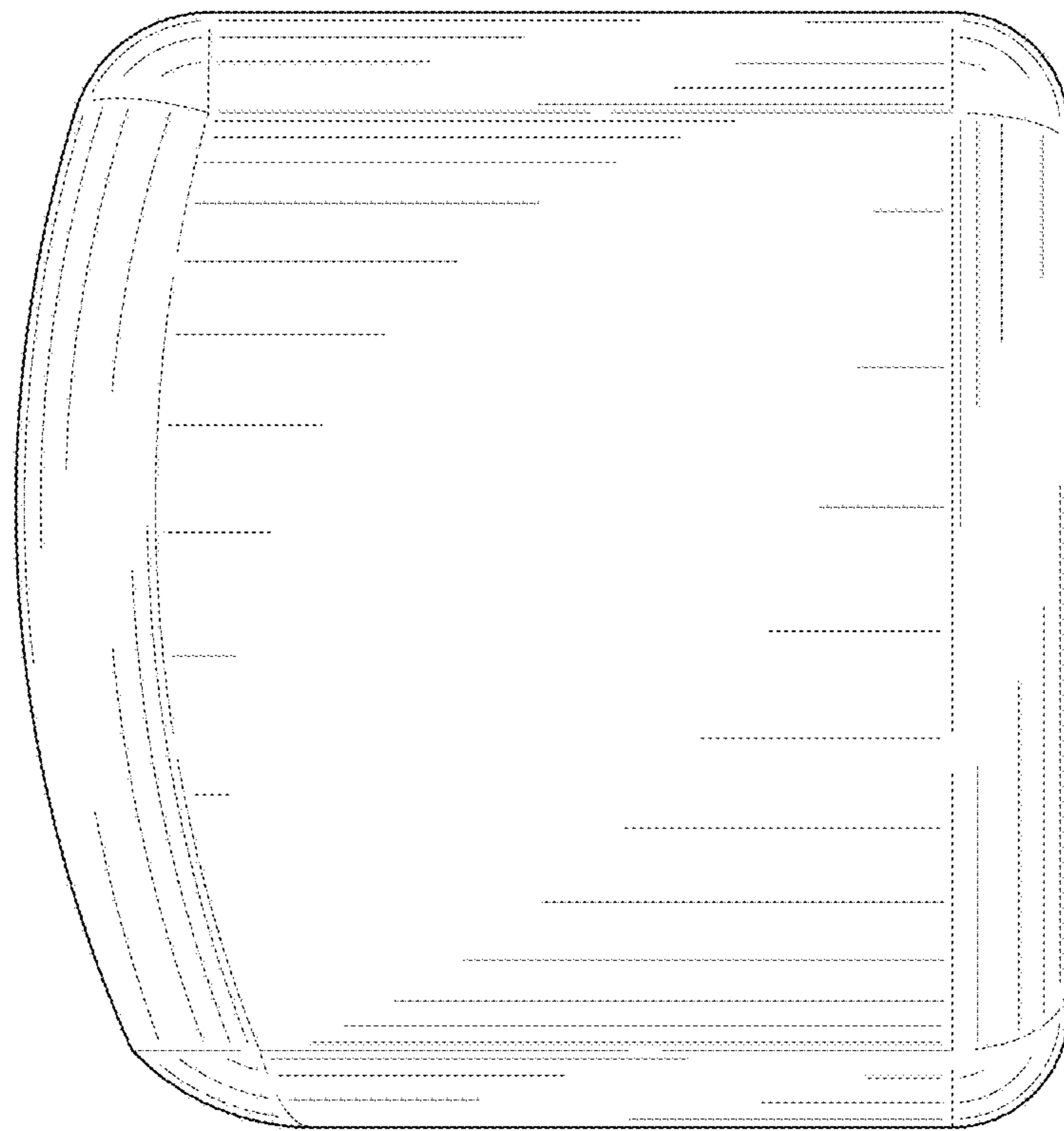


FIG. 5

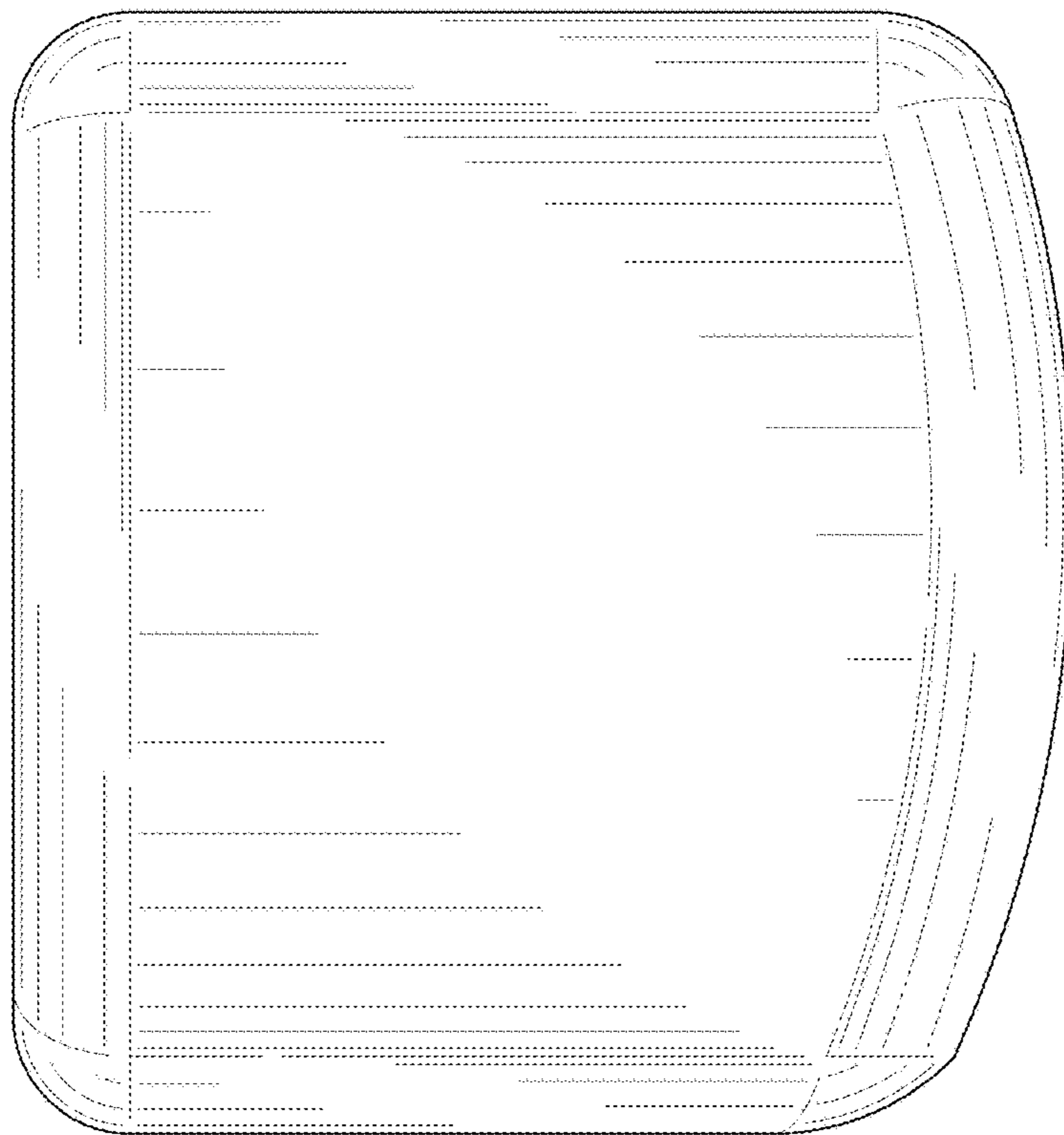


FIG. 6

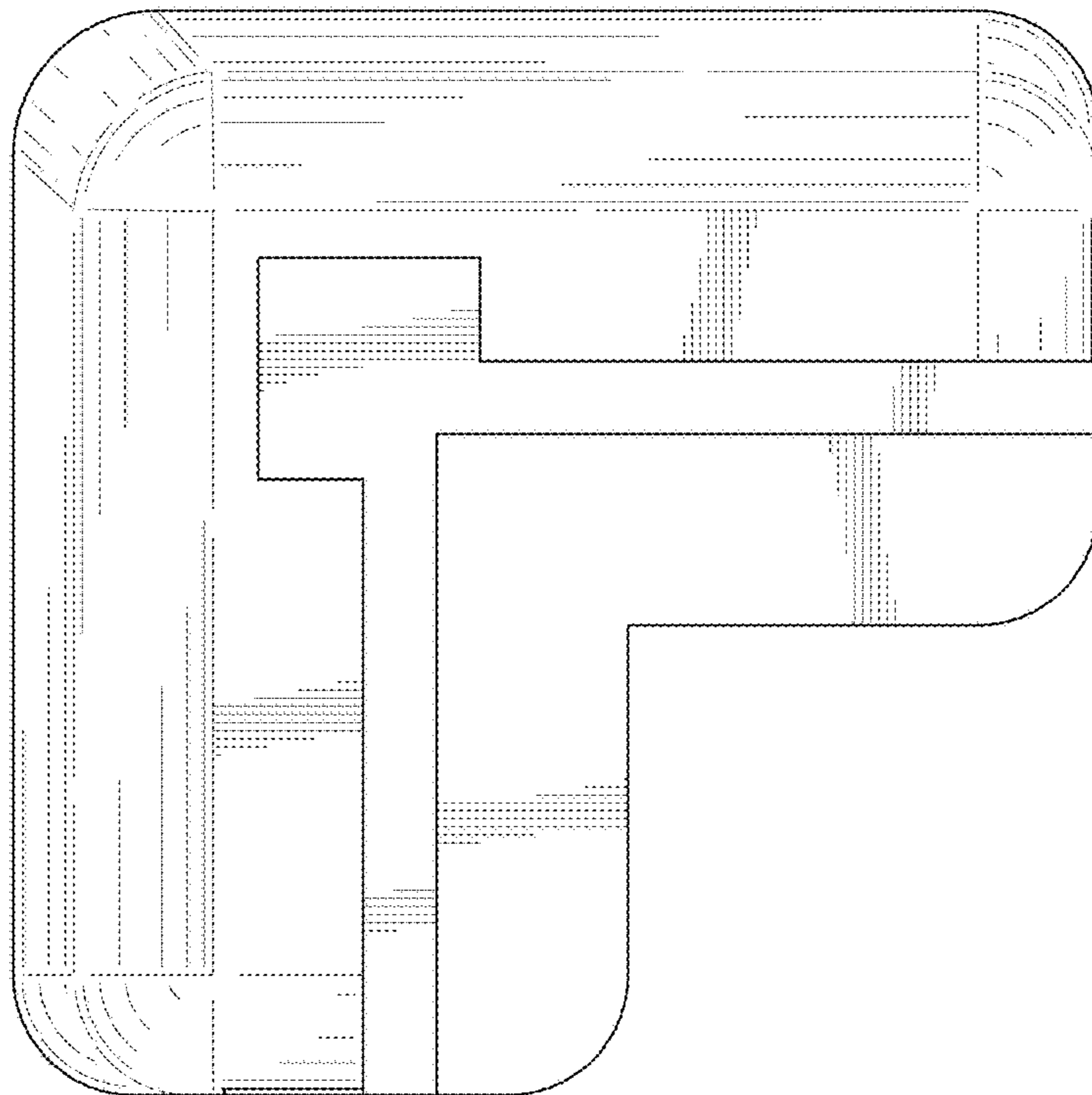


FIG. 7

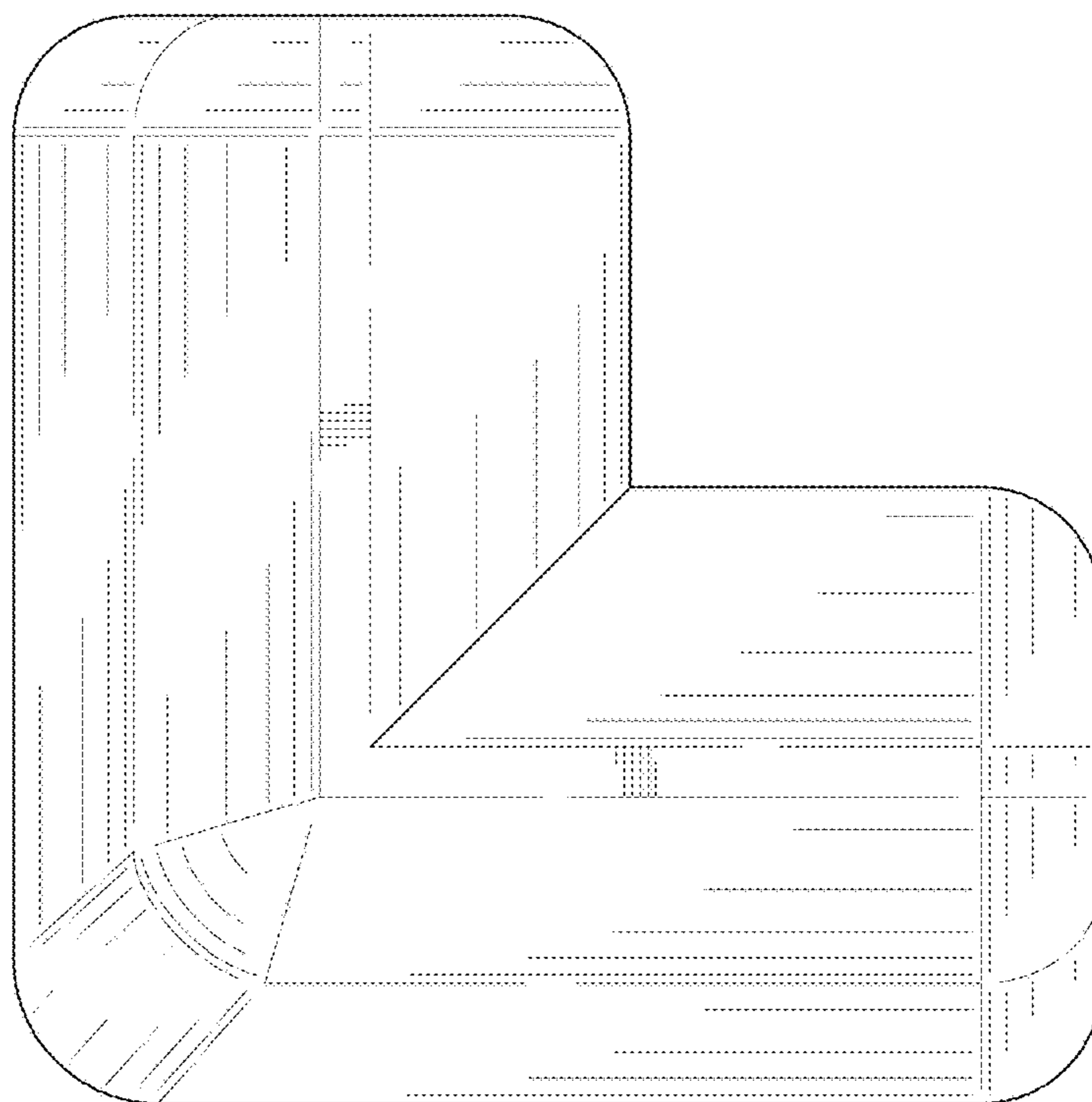


FIG. 8