



US00D860057S

(12) **United States Design Patent** (10) **Patent No.:** **US D860,057 S**
Garagashyan et al. (45) **Date of Patent:** **** Sep. 17, 2019**

(54) **ALLTERRAIN VEHICLES**

(71) Applicant: **ENSENOR ENTERPRISES LIMITED**, Nicosia (CY)

(72) Inventors: **Aleksey Garagashyan**, Saint Petersburg (RU); **Volodymyr Shkolnik**, Kyiv (UA)

(**) Term: **15 Years**

(21) Appl. No.: **35/505,583**

(22) Filed: **Jun. 25, 2018**

(80) **Hague Agreement Data**

Int. Filing Date: **Jun. 25, 2018**

Int. Reg. No.: **DM/102410**

Int. Reg. Date: **Jun. 25, 2018**

Int. Reg. Pub. Date: **Aug. 31, 2018**

(30) **Foreign Application Priority Data**

Feb. 8, 2018 (UA) S201800268

(51) **LOC (12) Cl.** **12-08**

(52) **U.S. Cl.**
USPC **D12/97**

(58) **Field of Classification Search**
USPC D12/1, 2, 3, 12, 14, 15, 93, 96, 97, 98,
D12/99
CPC B60G 2300/02; B60G 2300/026; B60G
2300/0262; B60G 2300/044; B60G
2300/07; B60G 2300/40; B60G 2300/402;
B60C 23/10

See application file for complete search history.

(56) **References Cited**

U.S. PATENT DOCUMENTS

D229,403 S * 11/1973 Ford D12/97
D229,553 S * 12/1973 Ford D12/3
D254,431 S * 3/1980 Broyhill D12/97
2017/0240008 A1 * 8/2017 Garagashyan B60F 3/00

* cited by examiner

Primary Examiner — George D. Kirschbaum

Assistant Examiner — Joseph J Kukella

(57) **CLAIM**

The ornamental design for an all-terrain vehicles, as shown and described.

DESCRIPTION

1.-2. All-terrain vehicles

1.1 : Perspective

1.2 : Front

1.3 : Right

1.4 : Left

1.5 : Top

1.6 : Back

2.1 : Perspective

2.2 : Front

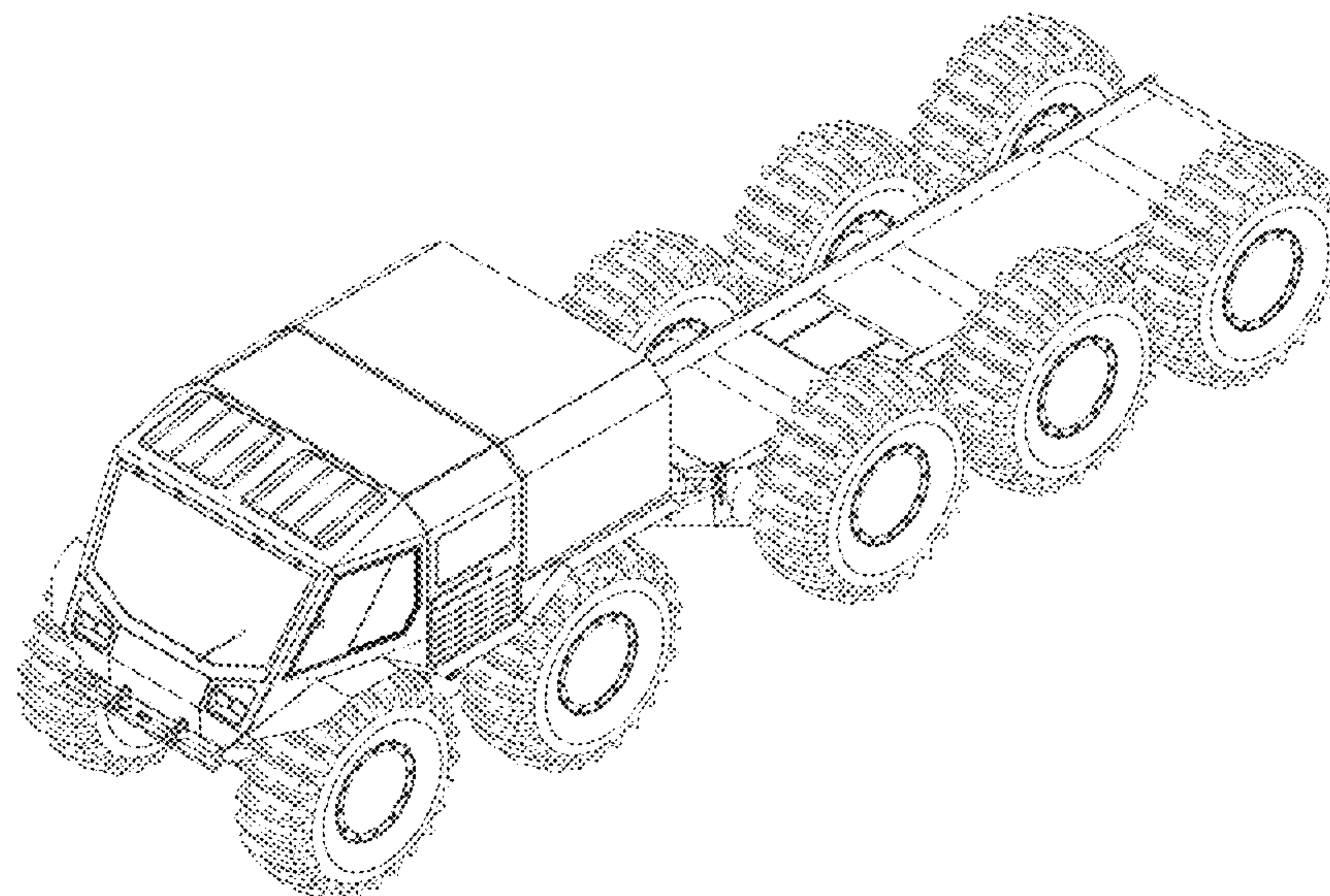
2.3 : Right

2.4 : Left

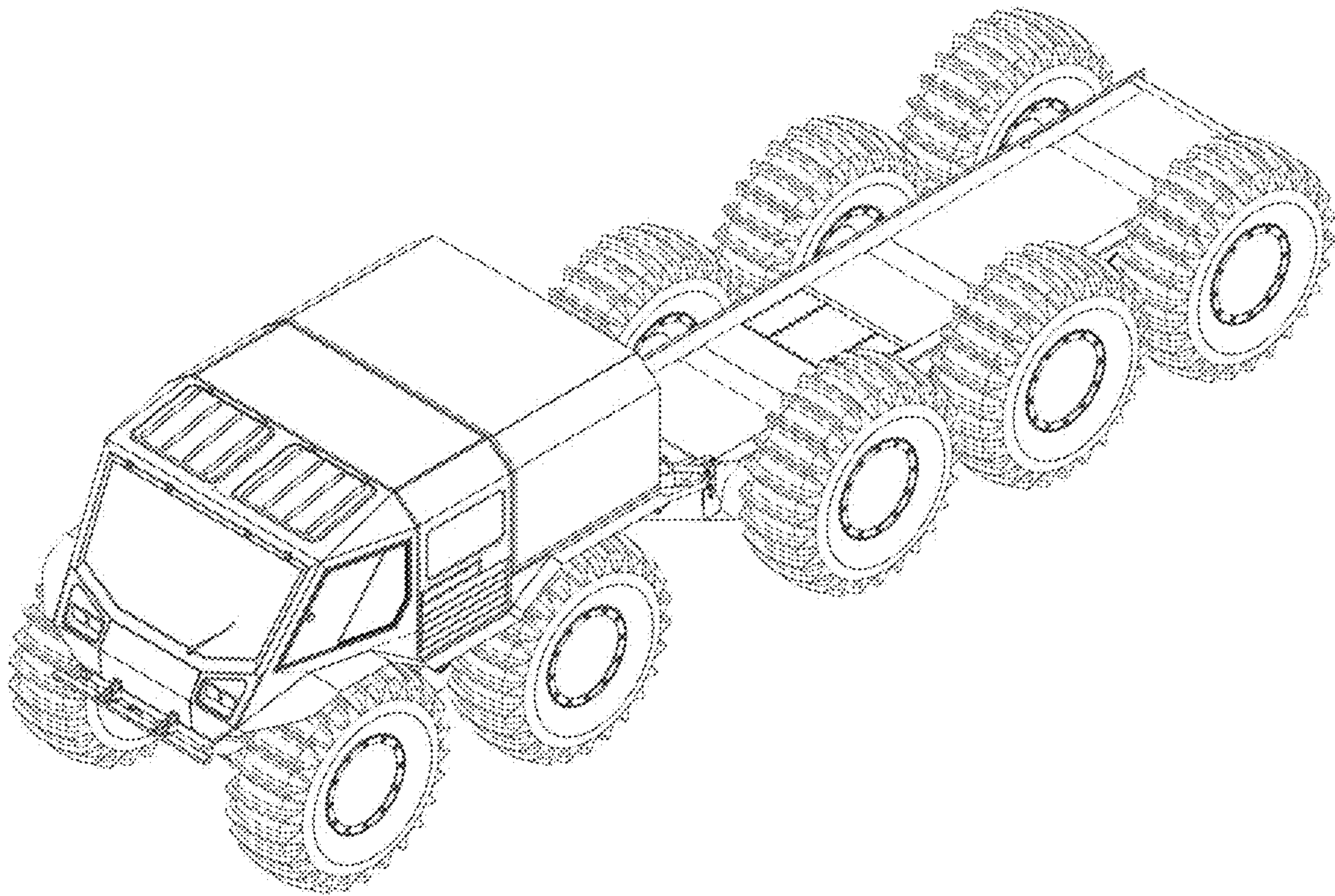
2.5 : Top

2.6 : Back

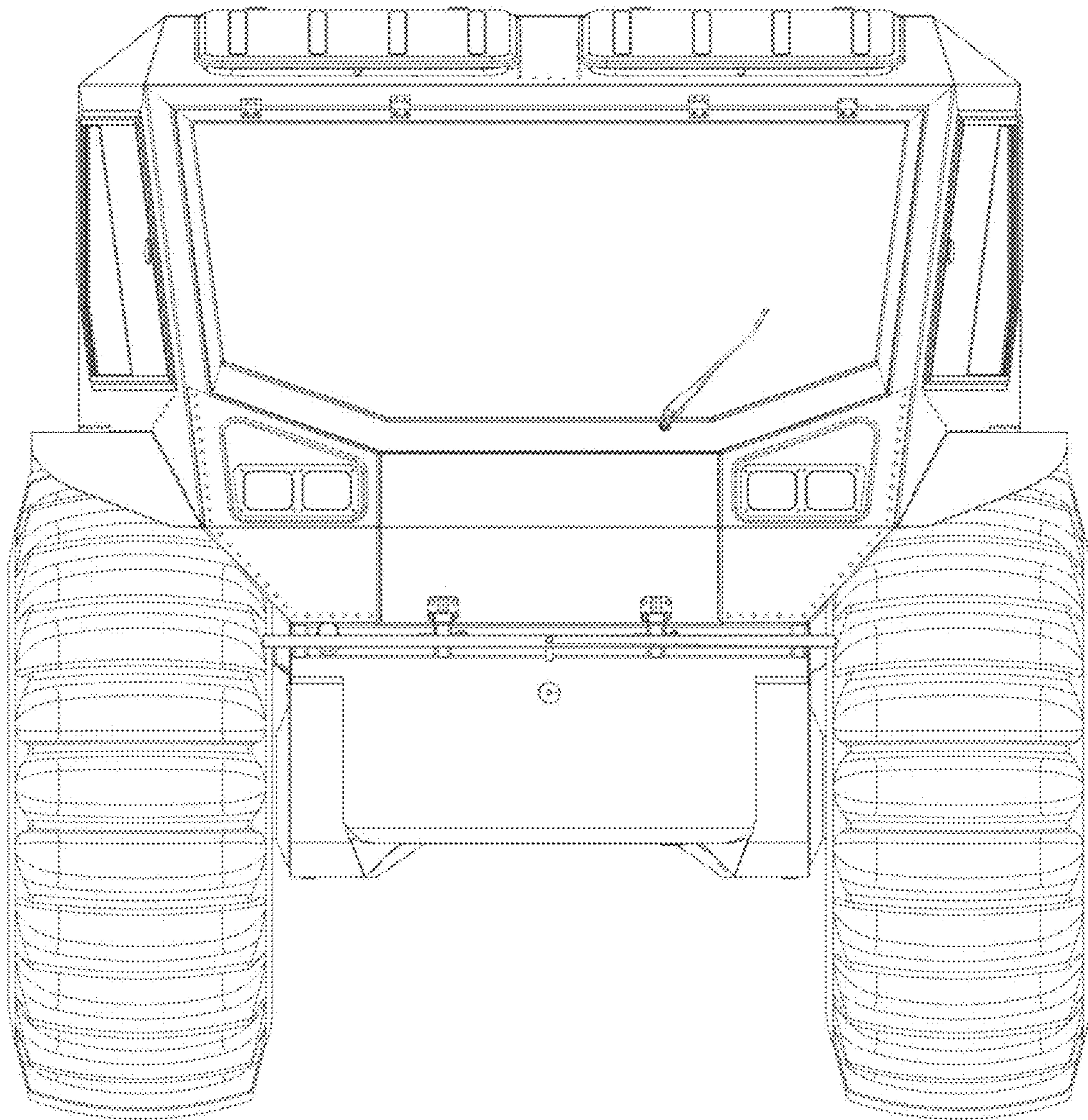
1 Claim, 12 Drawing Sheets



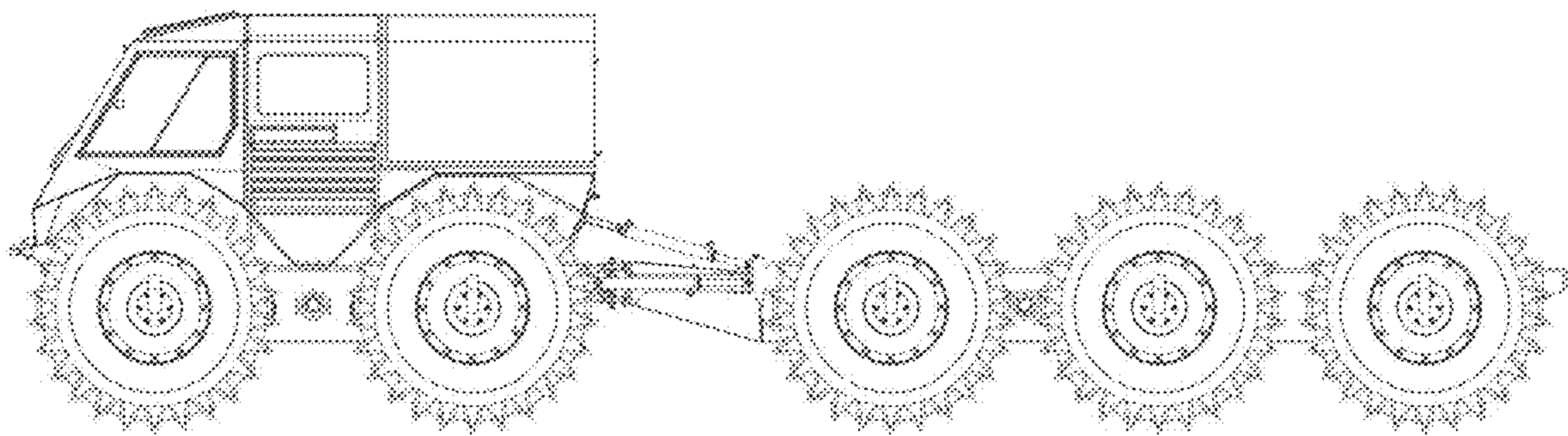
1.1



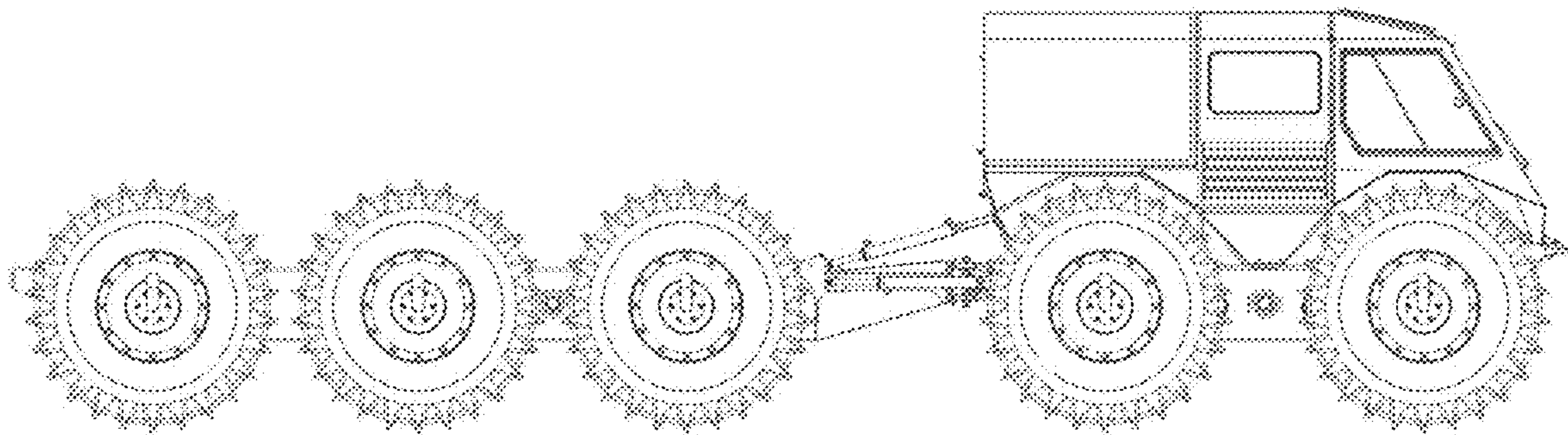
1.2



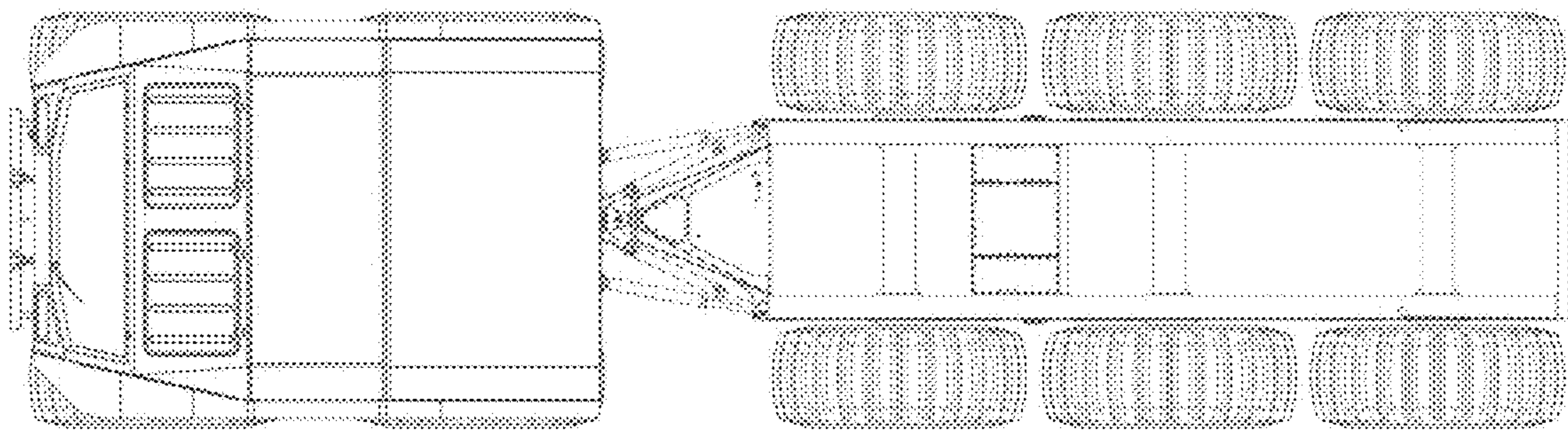
1.3



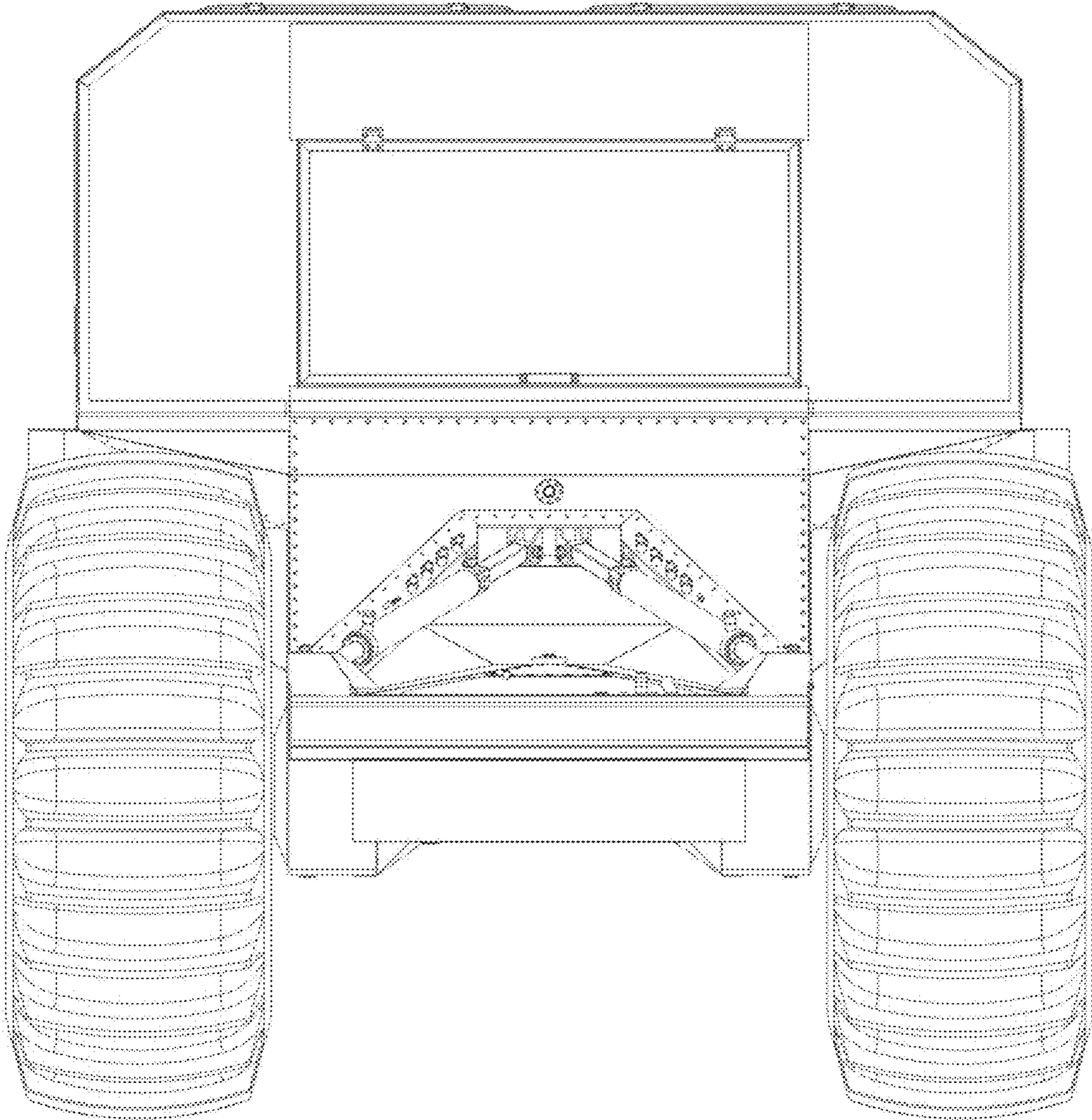
1.4



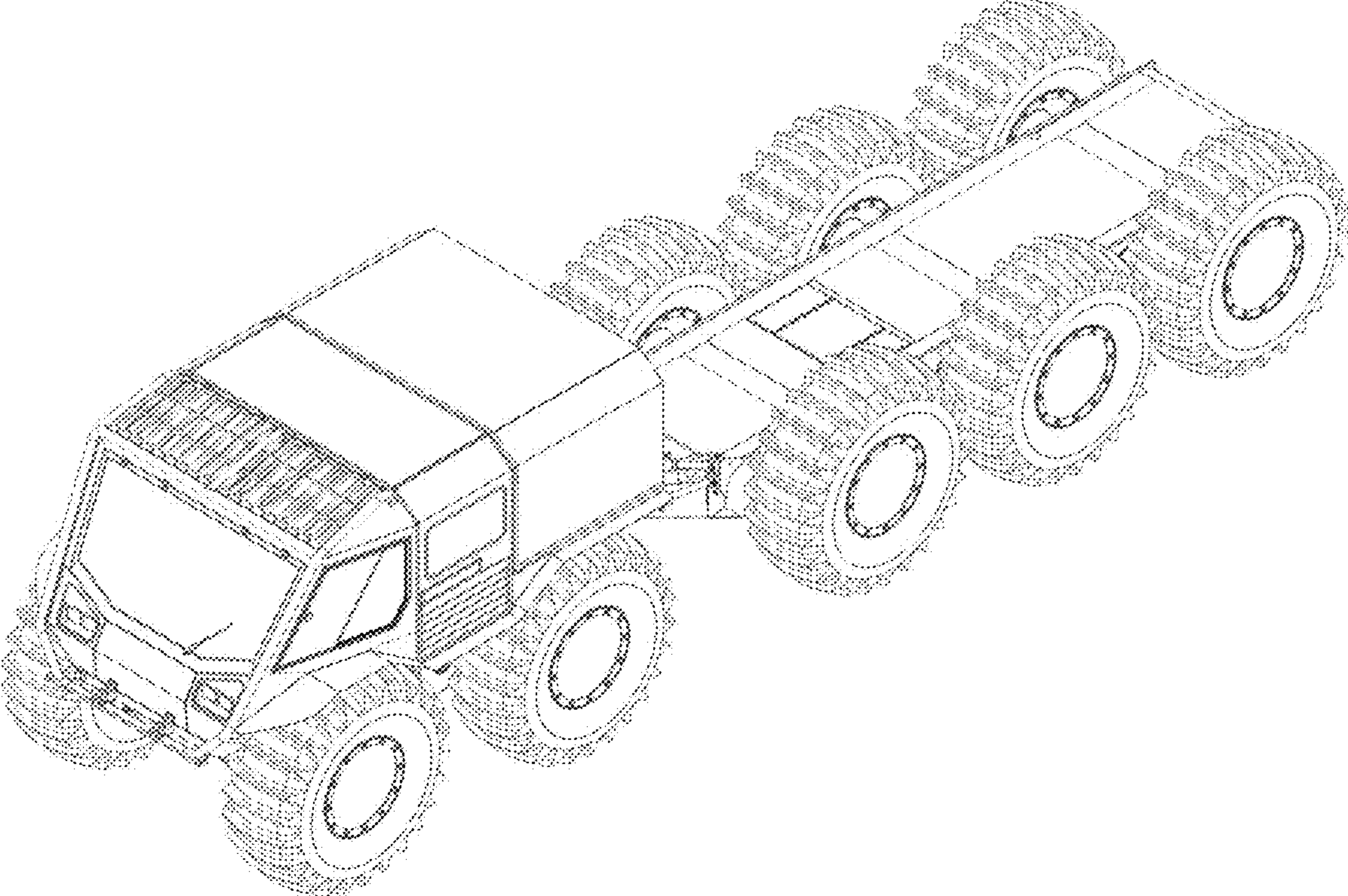
1.5



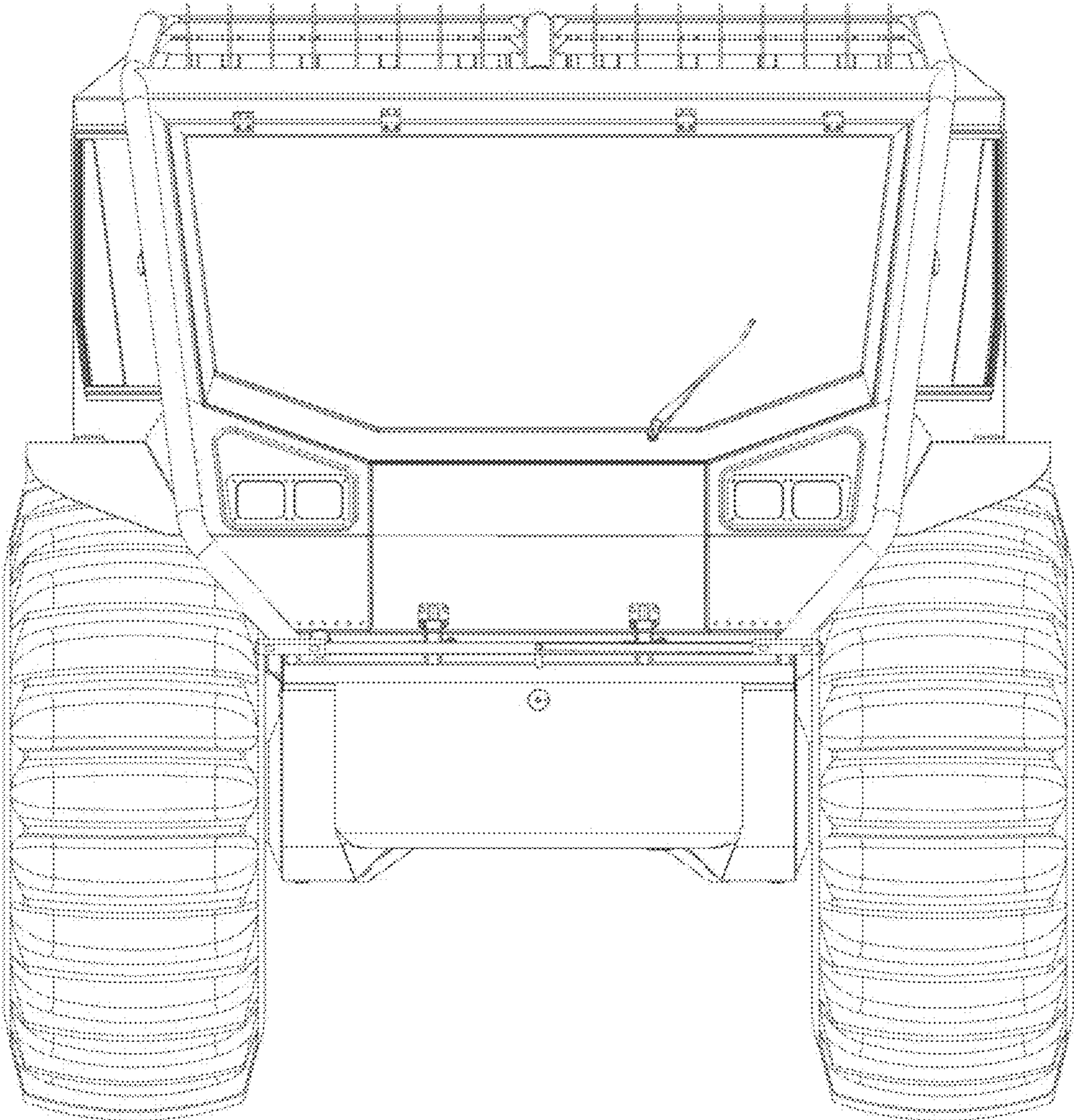
1.6



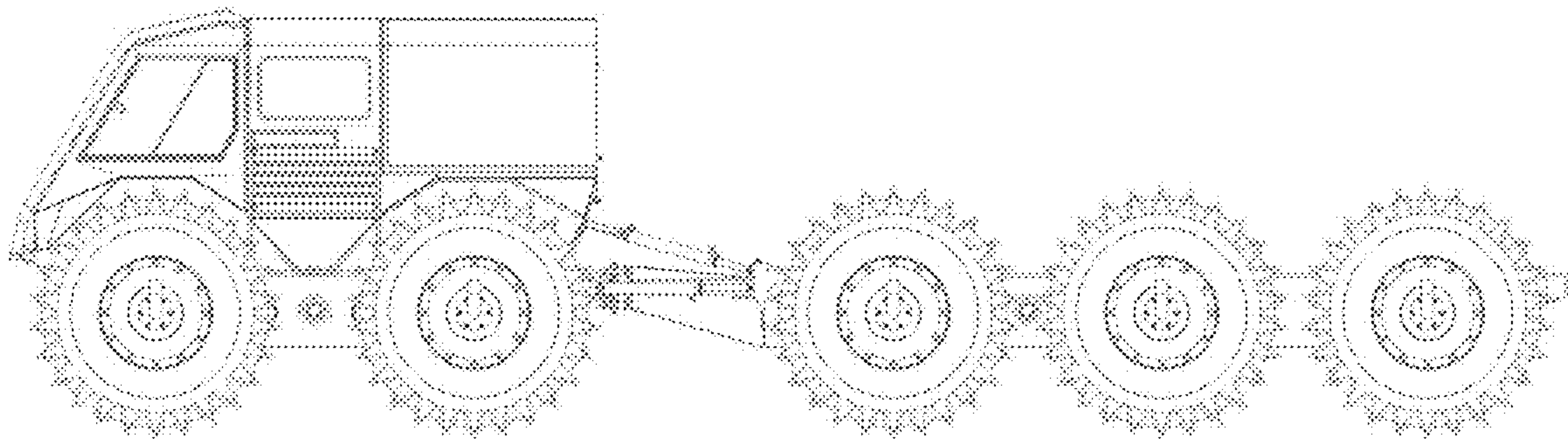
2.1



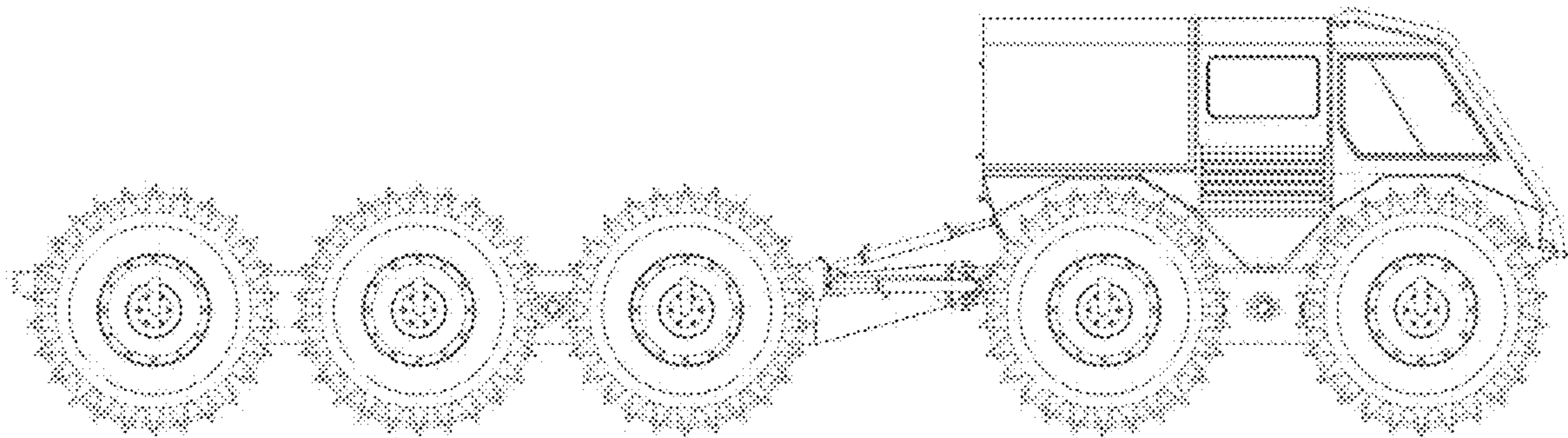
2.2



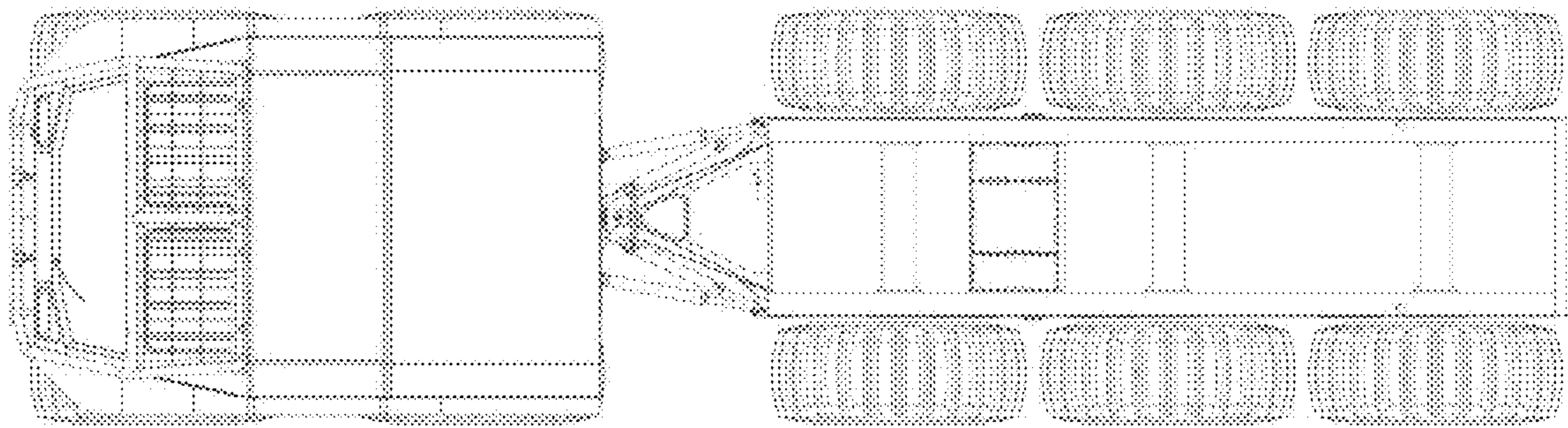
2.3



2.4



2.5



2.6

