



US00D860051S

(12) **United States Design Patent**
Buck et al.

(10) **Patent No.:** **US D860,051 S**

(45) **Date of Patent:** **** Sep. 17, 2019**

(54) **VEHICLE**

(71) Applicant: **Jaguar Land Rover Limited**, Whitley,
Coventry (GB)

(72) Inventors: **Joe Buck**, Coventry (GB); **Adam
Setter**, Coventry (GB); **Phil Hall**,
Coventry (GB)

(73) Assignee: **Jaguar Land Rover Limited**, Whitley,
Coventry (GB)

(**) Term: **15 Years**

(21) Appl. No.: **29/637,175**

(22) Filed: **Feb. 14, 2018**

(30) **Foreign Application Priority Data**

Aug. 30, 2017 (EM) 004171494

(51) **LOC (12) Cl.** **12-08**

(52) **U.S. Cl.**
USPC **D12/92**

(58) **Field of Classification Search**
USPC D12/86, 90-92; D21/424, 433, 434;
296/181.1-181.5, 183.1
CPC B62D 25/00; B62D 25/06; B62D 33/00;
B62D 35/00
See application file for complete search history.

(56) **References Cited**

U.S. PATENT DOCUMENTS

D686,535 S * 7/2013 Van Braeckel D12/92
D700,544 S * 3/2014 Ramaciotti D12/92
D704,101 S * 5/2014 Beaven D12/92
D705,129 S * 5/2014 Badstuebner D12/91
D706,174 S * 6/2014 Garand D12/92

D711,287 S * 8/2014 Butterworth D12/92
D711,288 S * 8/2014 Butterworth D12/92
D718,662 S * 12/2014 Ishizuka D12/92
D719,878 S * 12/2014 Webber D12/92
D726,074 S * 4/2015 Beaven D12/92
D740,177 S * 10/2015 Callum D12/92
D748,535 S * 2/2016 Hatton D12/92
D758,921 S * 6/2016 Hatton D12/92
D793,908 S * 8/2017 Hatton D12/92
D800,021 S * 10/2017 Hagino D12/92
D801,872 S * 11/2017 Buck D12/92
D811,943 S * 3/2018 Peat D12/92
D813,100 S * 3/2018 Hatton D12/92
D823,168 S * 7/2018 Bischoff D12/92
D832,144 S * 10/2018 Hatton D12/91
D840,268 S * 2/2019 Beaven D12/91
D841,520 S * 2/2019 Smith D12/92

* cited by examiner

Primary Examiner — Melody N Brown

(74) *Attorney, Agent, or Firm* — Wood Herron & Evans
LLP

(57) **CLAIM**

The ornamental design for a vehicle, as shown and
described.

DESCRIPTION

FIG. 1 is a left, front perspective view of a vehicle showing
our new design;

FIG. 2 is a right, rear perspective view thereof;

FIG. 3 is a front view thereof;

FIG. 4 is a rear view thereof;

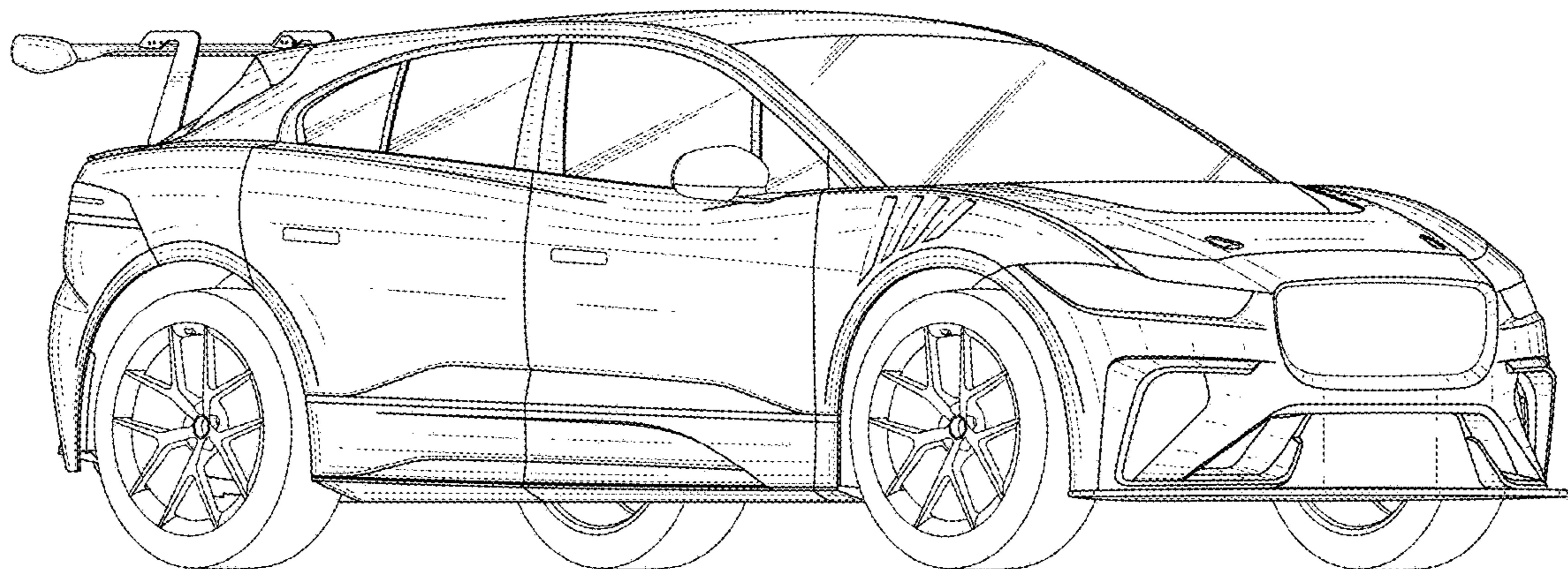
FIG. 5 is a left side view thereof;

FIG. 6 is a right side view thereof; and,

FIG. 7 is a top view thereof.

In all of the Figures the design shown is not to be limited to
any particular size and may be scaled larger or smaller.

1 Claim, 7 Drawing Sheets



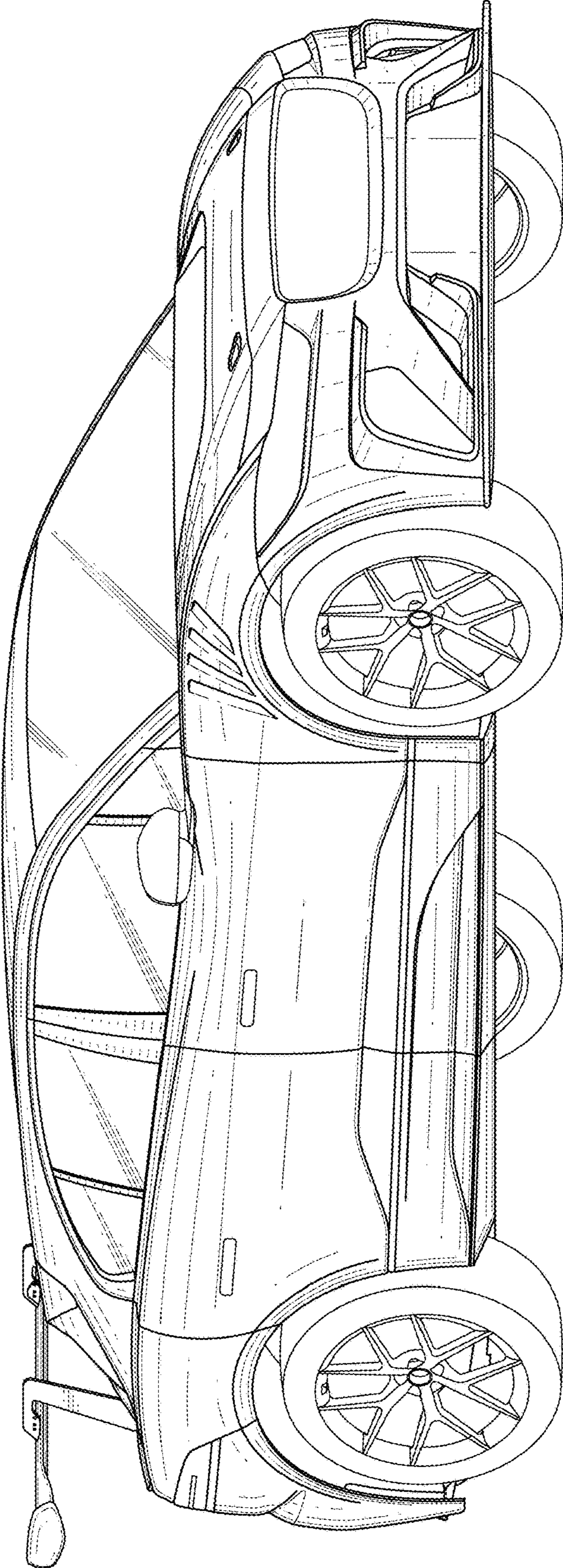


FIG. 1

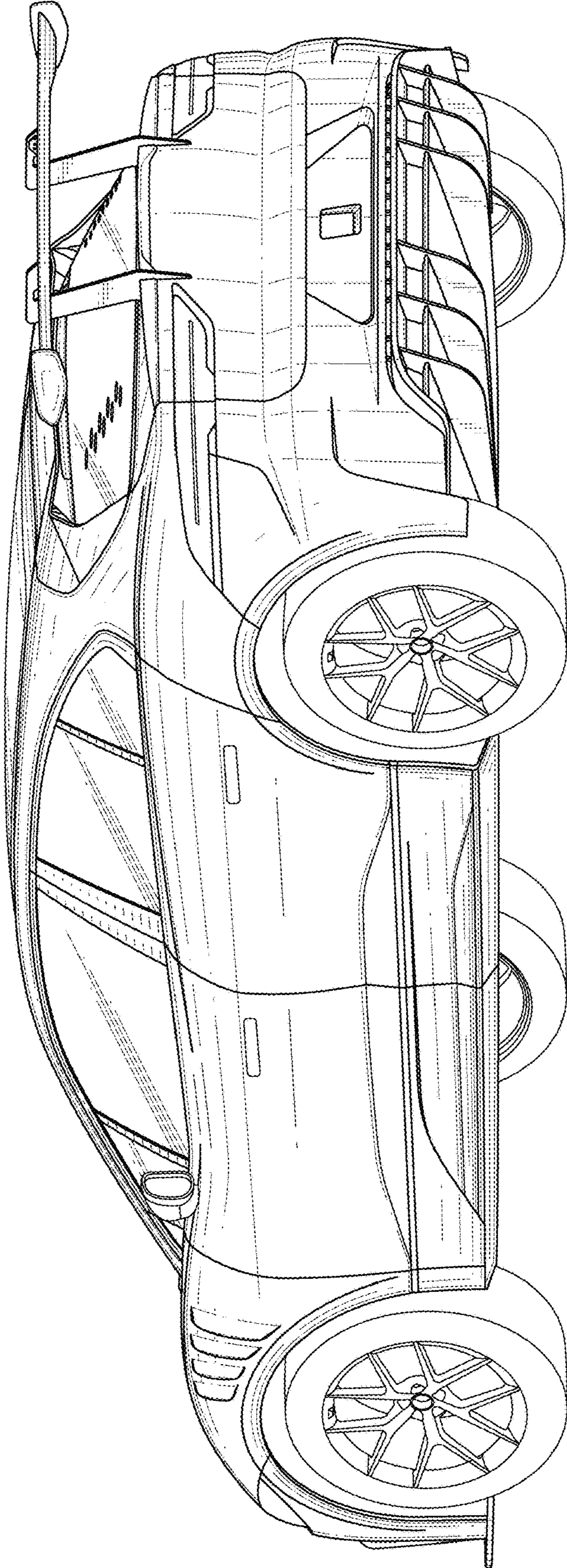


FIG. 2

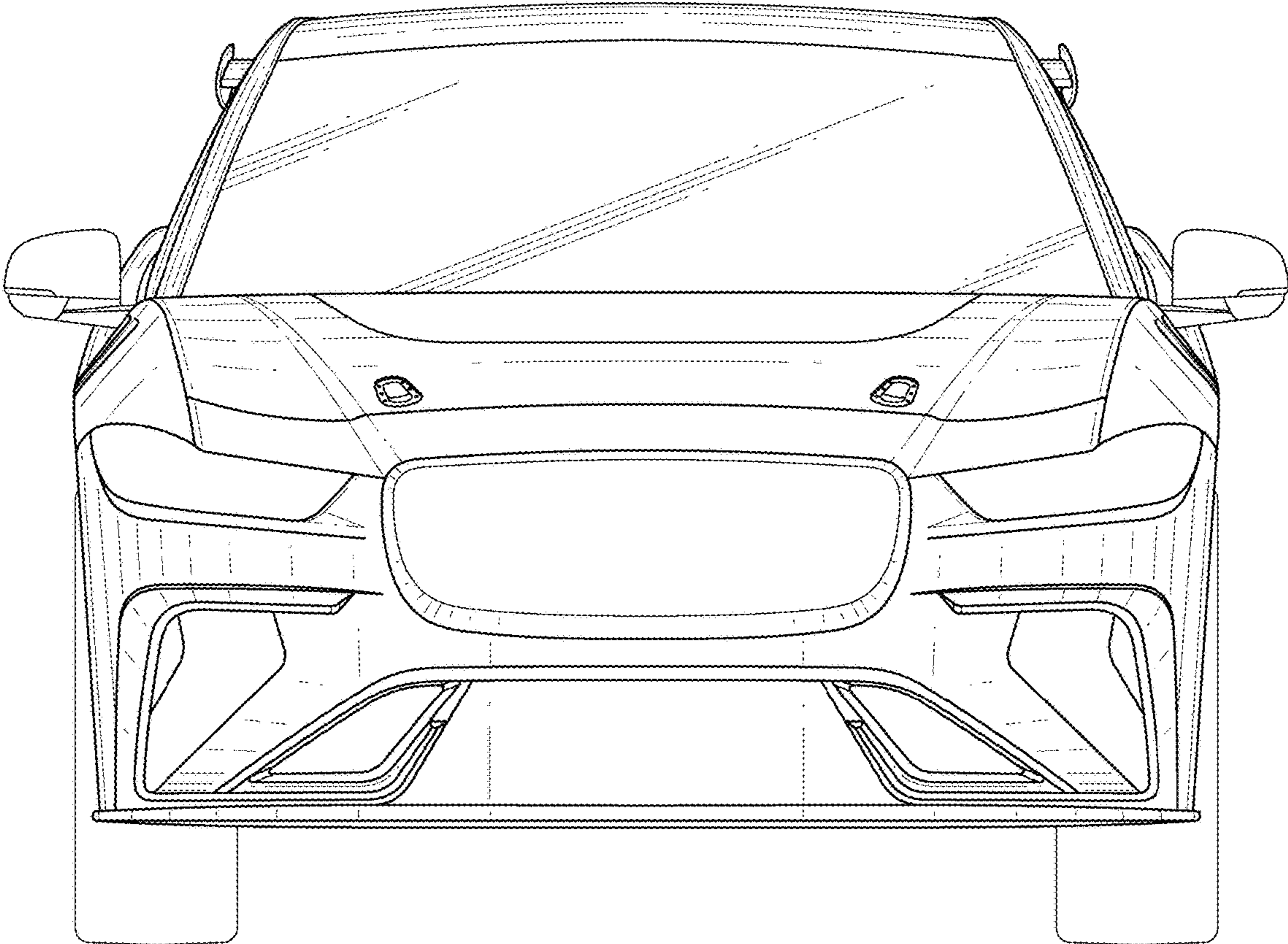


FIG. 3

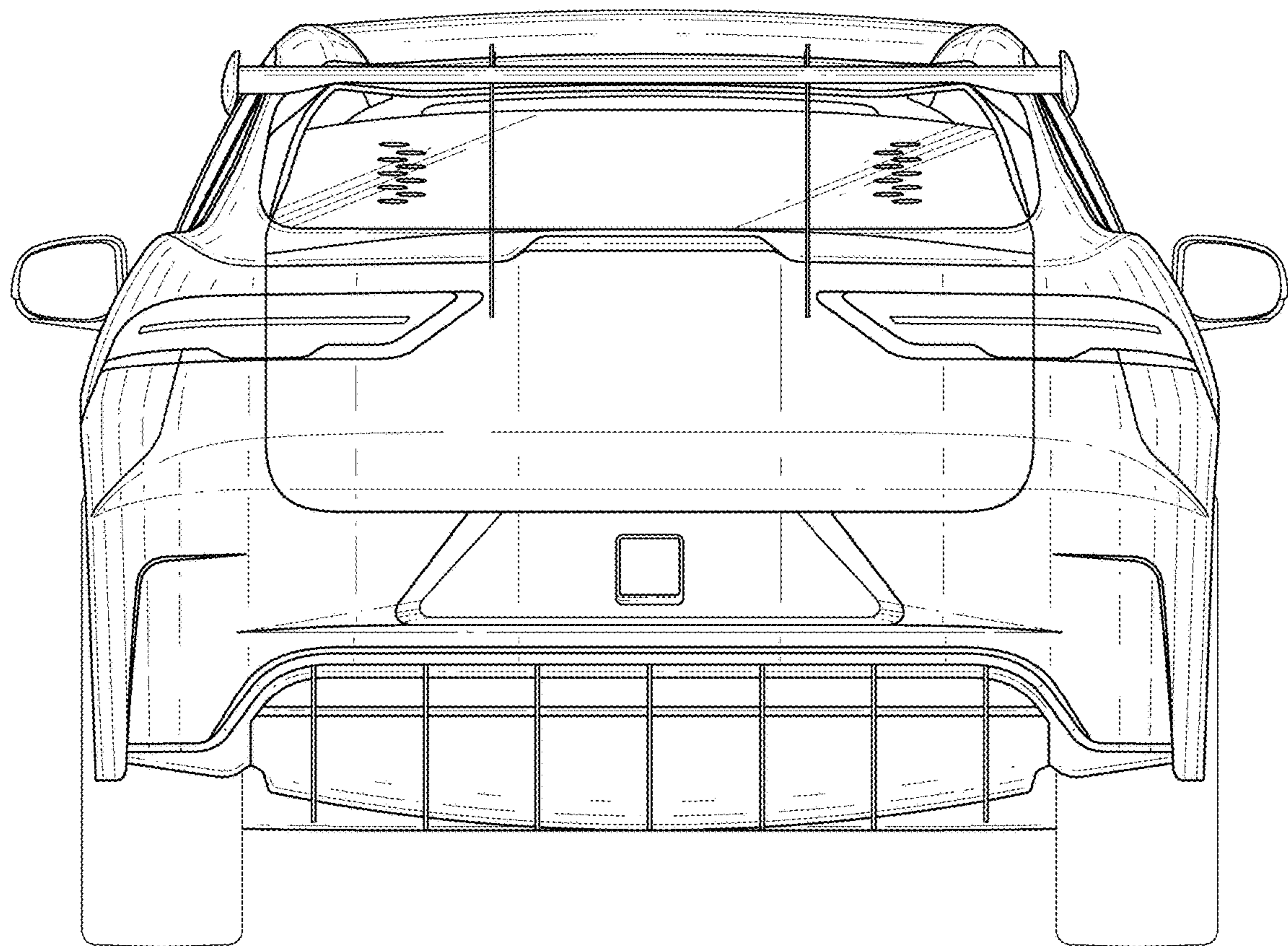


FIG. 4

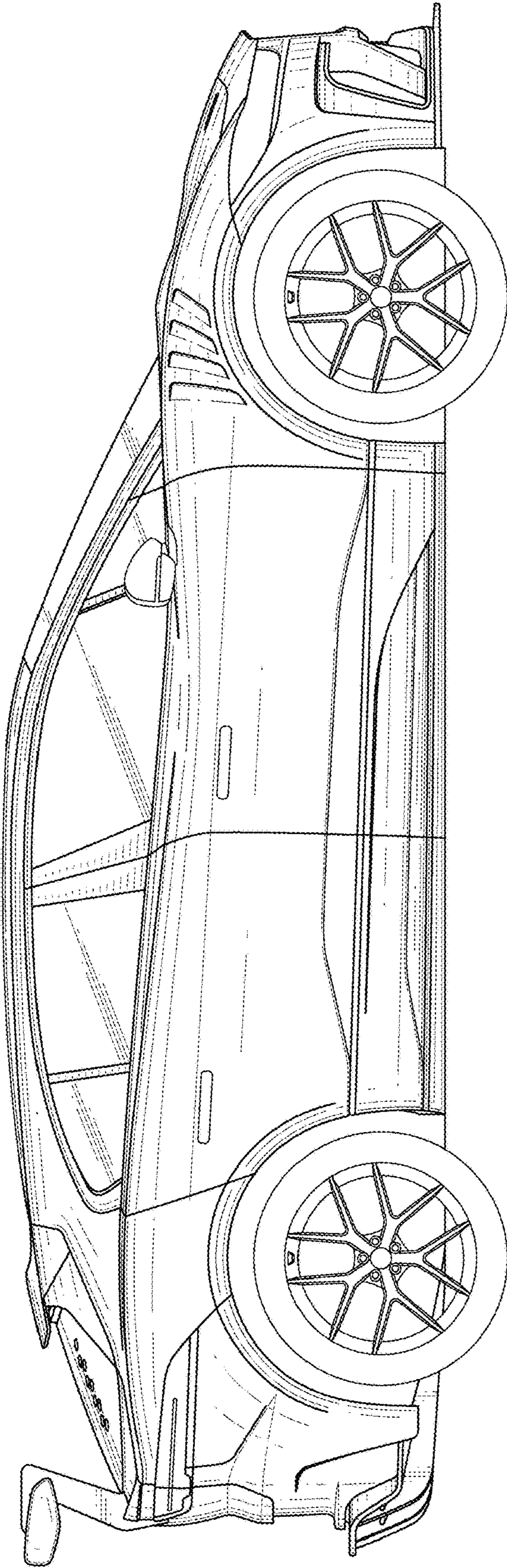


FIG. 5

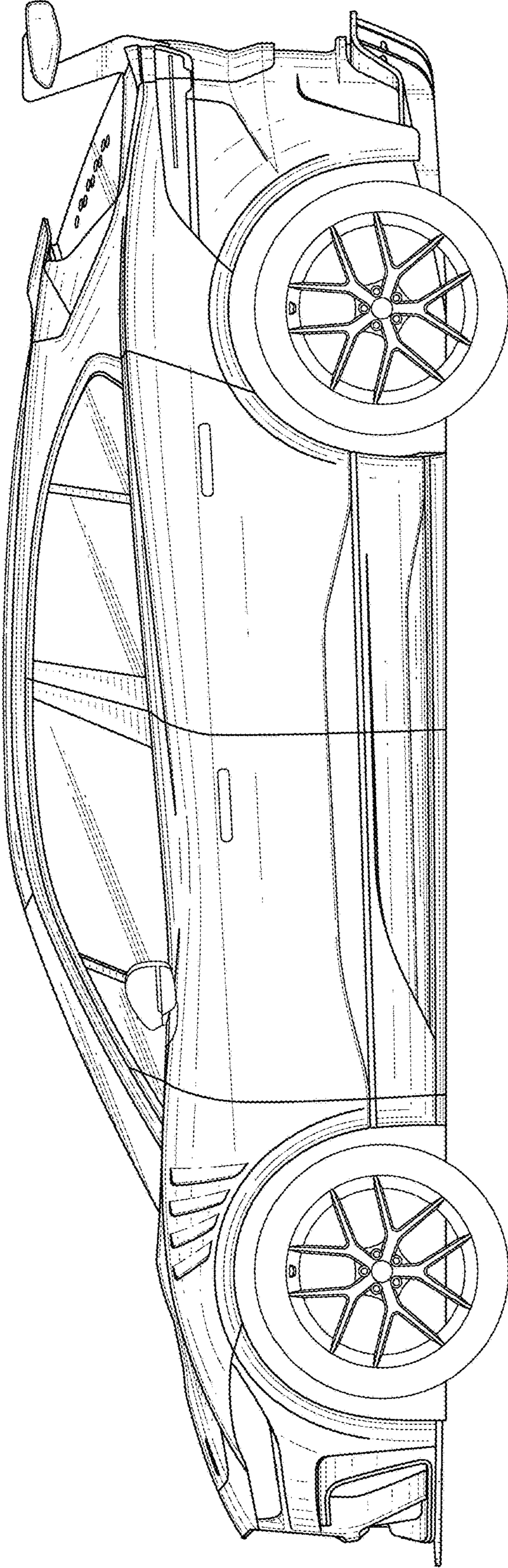


FIG. 6

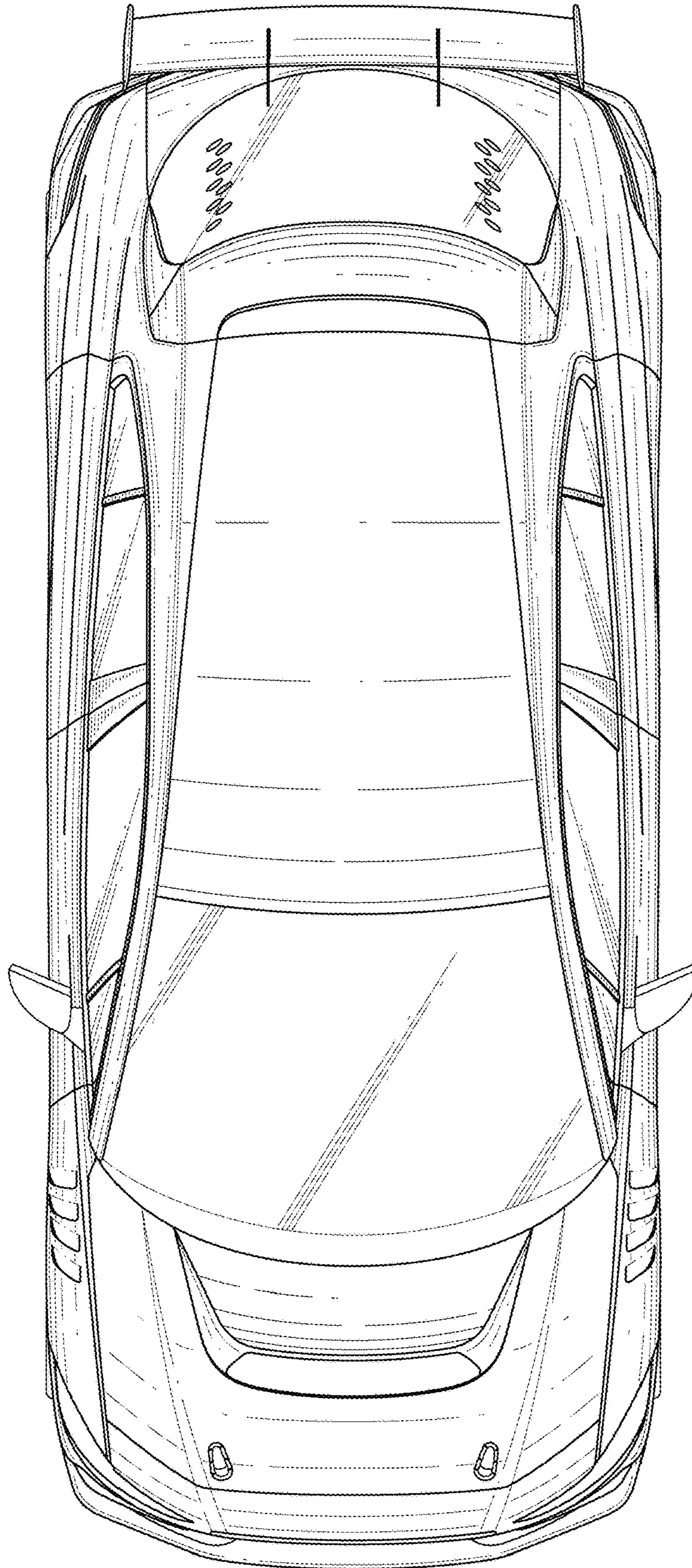


FIG. 7