

US00D860050S

(12) **United States Design Patent**
Grewer

(10) **Patent No.:** **US D860,050 S**

(45) **Date of Patent:** **** Sep. 17, 2019**

(54) **VEHICLE**

(71) Applicant: **Jaguar Land Rover Limited**, Whitley,
Coventry (GB)

(72) Inventor: **Dale Grewer**, Coventry (GB)

(73) Assignee: **Jaguar Land Rover Limited**, Whitley,
Coventry (GB)

(**) Term: **15 Years**

(21) Appl. No.: **29/637,862**

(22) Filed: **Feb. 22, 2018**

(30) **Foreign Application Priority Data**

Sep. 6, 2017 (EM) 004244267

(51) **LOC (12) Cl.** **12-08**

(52) **U.S. Cl.**
USPC **D12/91**

(58) **Field of Classification Search**
USPC D12/86, 90-92, 164; D21/424, 433, 434,
D21/533; 296/181.1-181.5, 183.1
CPC B62D 25/00; B62D 25/06; B62D 33/00;
B62D 35/00
See application file for complete search history.

(56) **References Cited**

U.S. PATENT DOCUMENTS

D716,695 S * 11/2014 Woolley D12/91
D718,188 S * 11/2014 Wheel D12/91
D746,722 S * 1/2016 Henstridge D12/91
D750,531 S * 3/2016 Watkins D12/91
D750,532 S * 3/2016 Frascella D12/91
D752,481 S * 3/2016 Frascella D12/91
D762,142 S * 7/2016 Battams D12/91

D774,417 S * 12/2016 Watkins D12/91
D779,394 S * 2/2017 Suga D12/164
D782,937 S * 4/2017 Wheel D12/91
D784,855 S * 4/2017 Wheel D12/91
D791,645 S * 7/2017 Henstridge D12/91
D793,907 S * 8/2017 Woolley D12/91
D805,959 S * 12/2017 Wheel D12/91
D805,960 S * 12/2017 Wheel D12/91
D807,228 S * 1/2018 Woolley D12/91
D807,245 S * 1/2018 Patel D12/164
D817,817 S * 5/2018 Frascella D12/91
D818,399 S * 5/2018 Frascella D12/91
D840,269 S * 2/2019 Frascella D12/91
D840,272 S * 2/2019 Battams D12/91
D840,273 S * 2/2019 Battams D12/91
D843,269 S * 3/2019 Shi D12/111

* cited by examiner

Primary Examiner — Melody N Brown

(74) *Attorney, Agent, or Firm* — Wood Herron & Evans
LLP

(57) **CLAIM**

The ornamental design for a vehicle, as shown and
described.

DESCRIPTION

FIG. 1 is a right, front perspective view of a vehicle showing
my new design;

FIG. 2 is a left, rear perspective view thereof;

FIG. 3 is a front view thereof;

FIG. 4 is a rear view thereof;

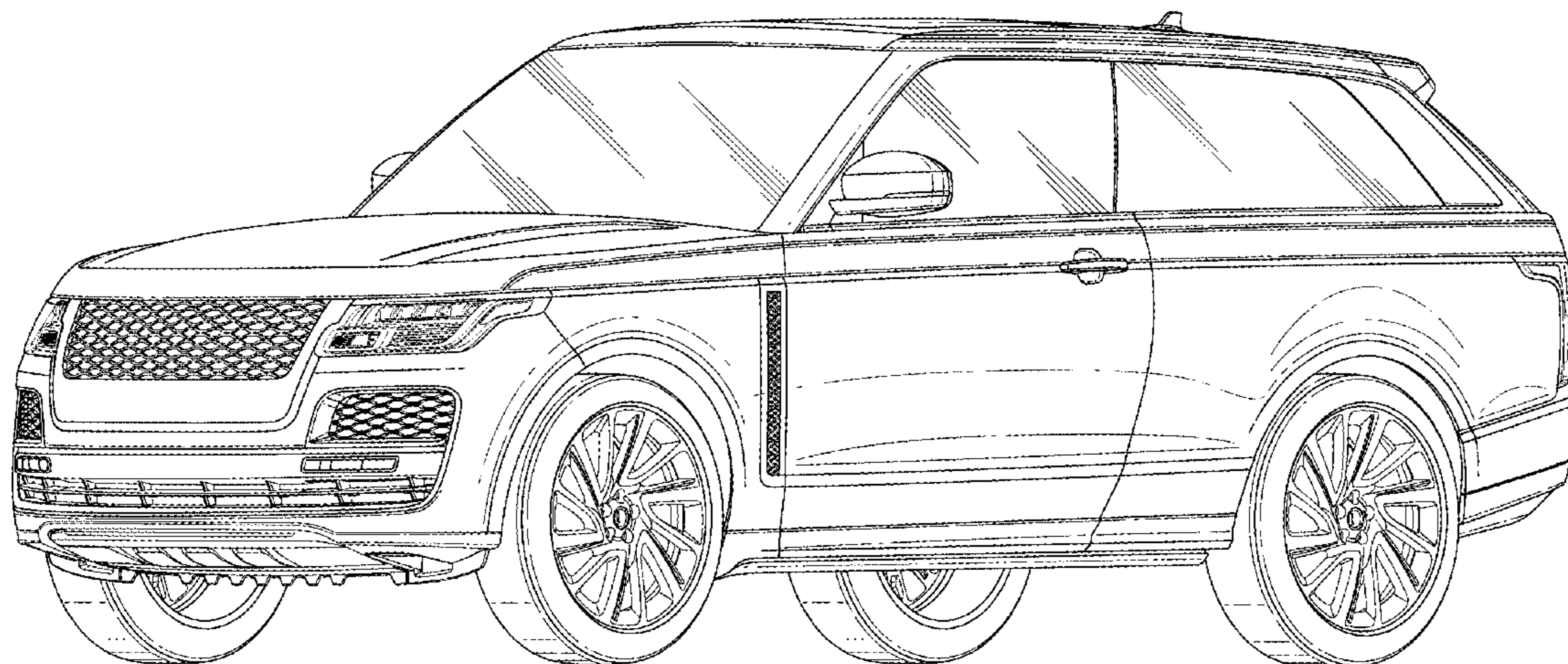
FIG. 5 is a left side view thereof;

FIG. 6 is a right side view thereof; and,

FIG. 7 is a top view thereof.

In all of the Figures, the design shown is not to be limited
to any particular size and may be scaled larger or smaller.

1 Claim, 7 Drawing Sheets



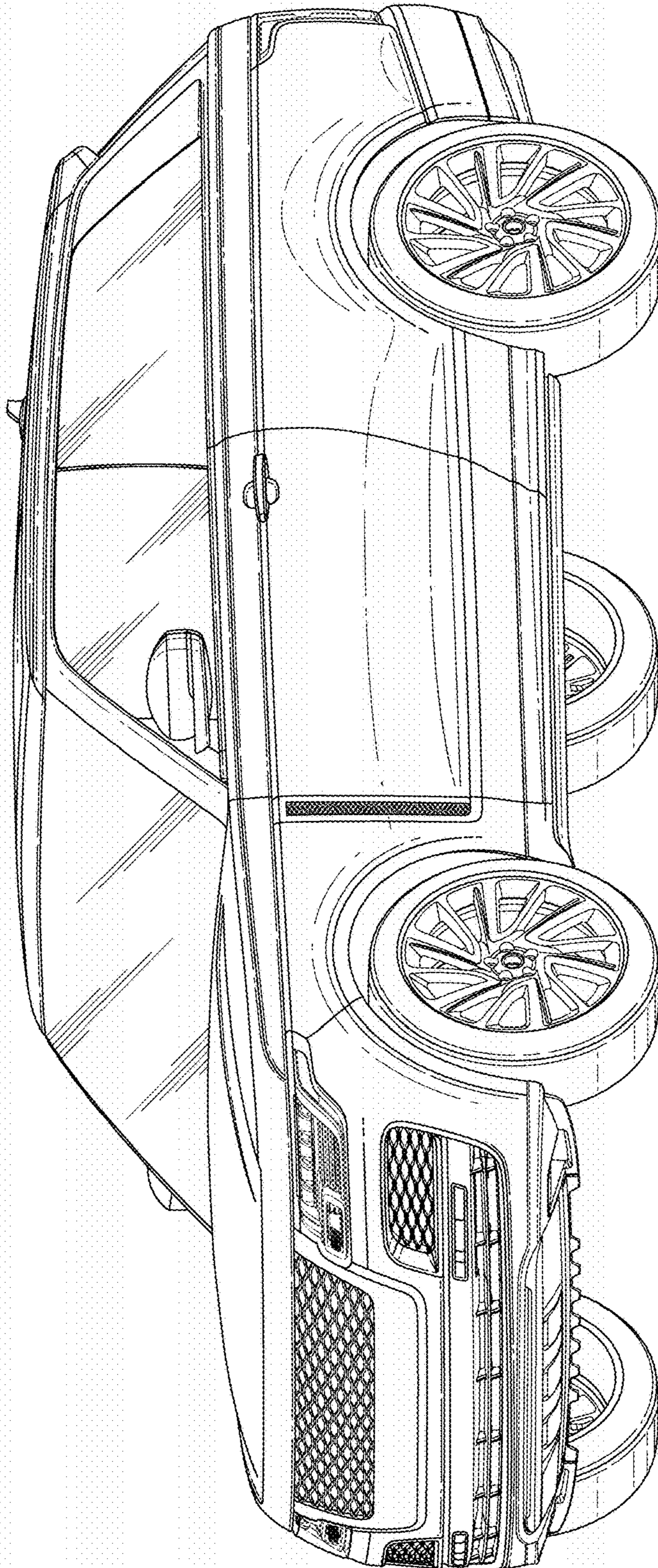


FIG. 1

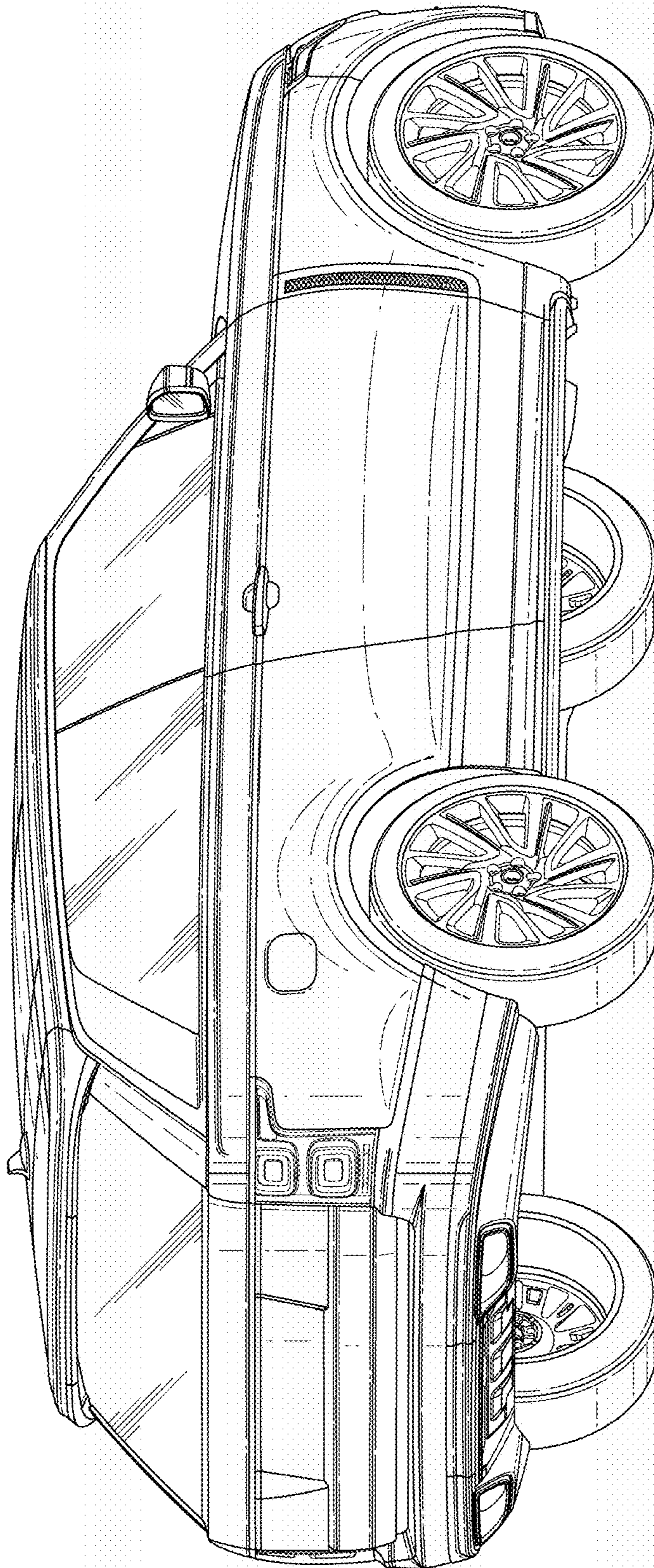


FIG. 2

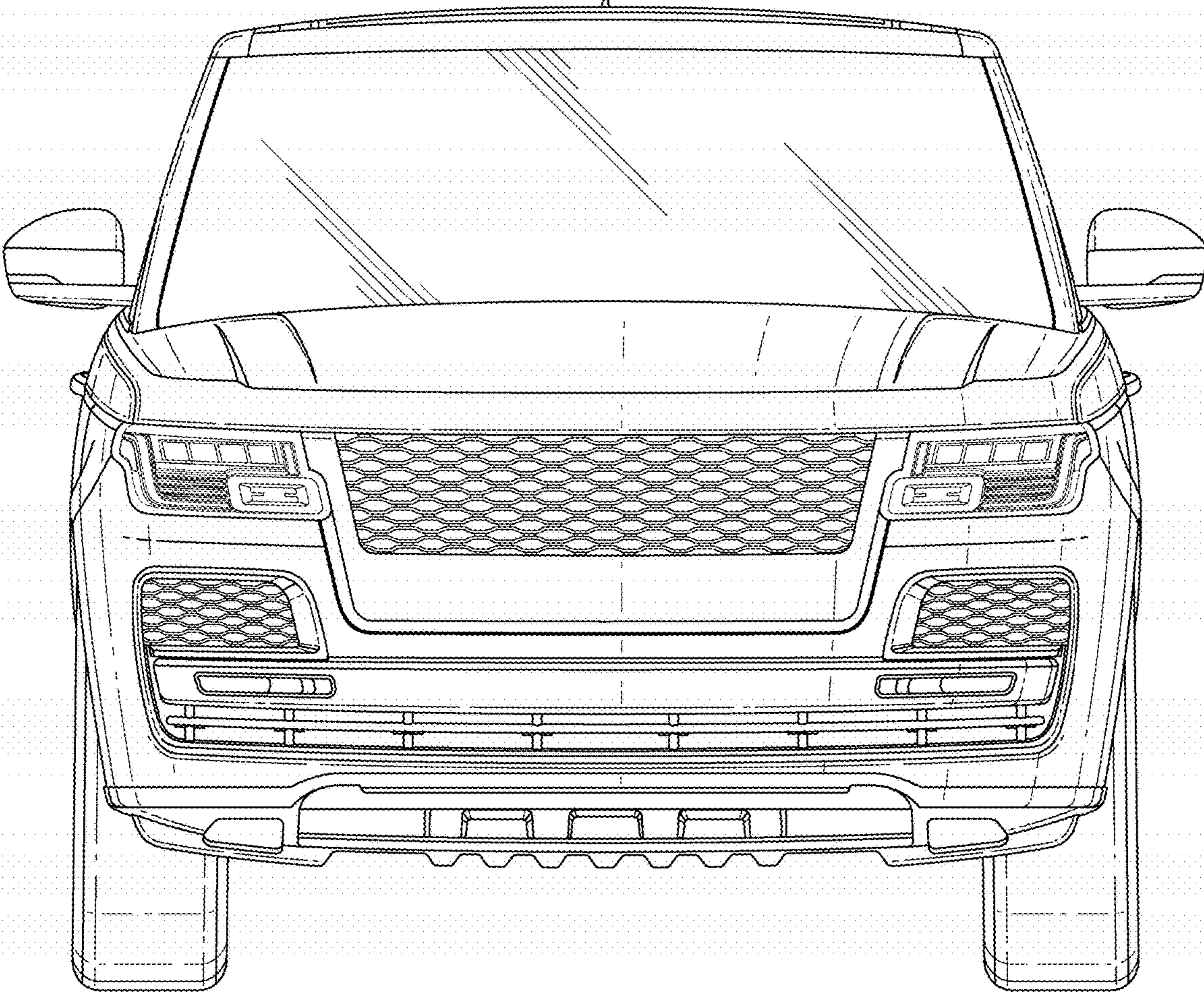


FIG. 3

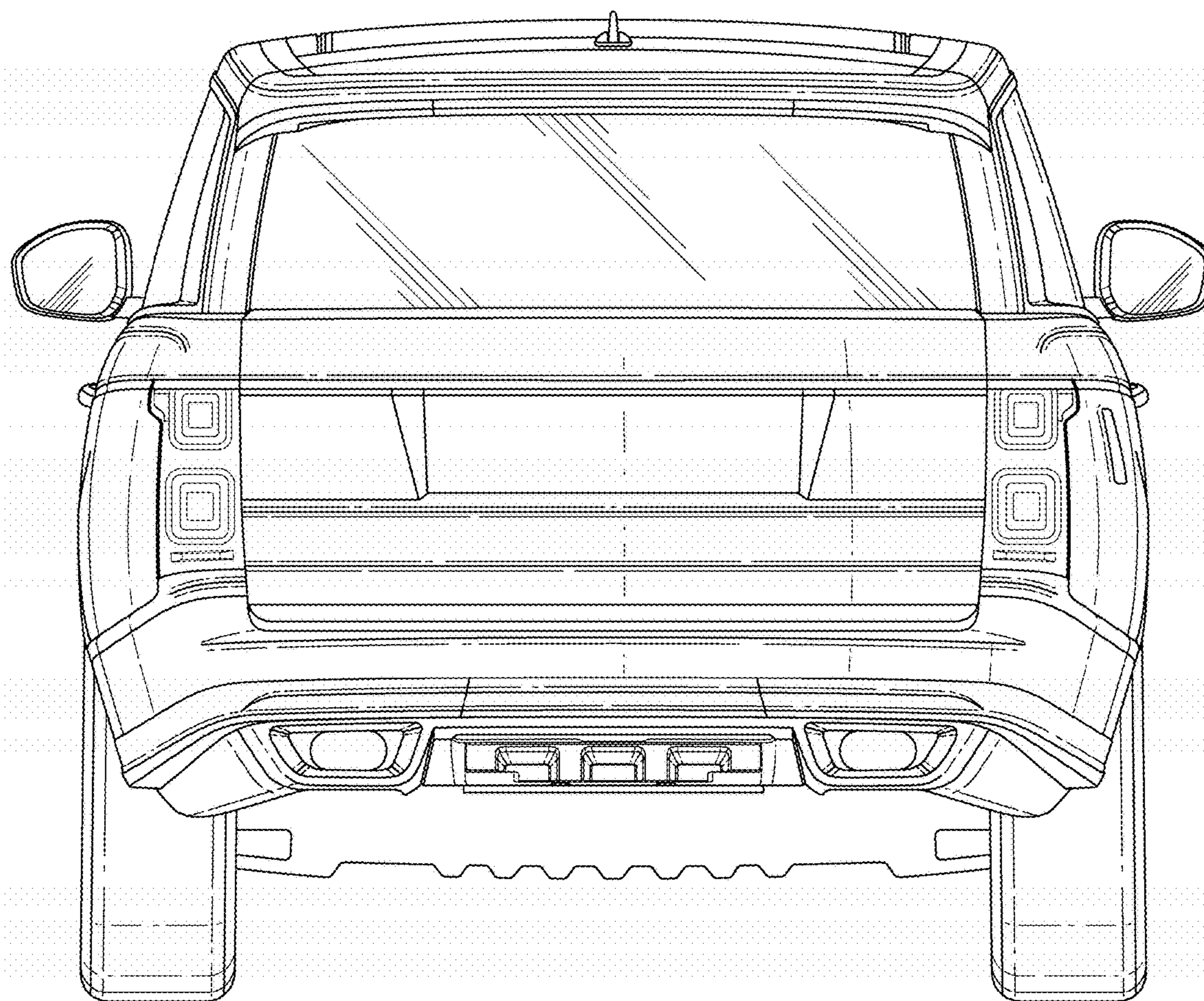


FIG. 4

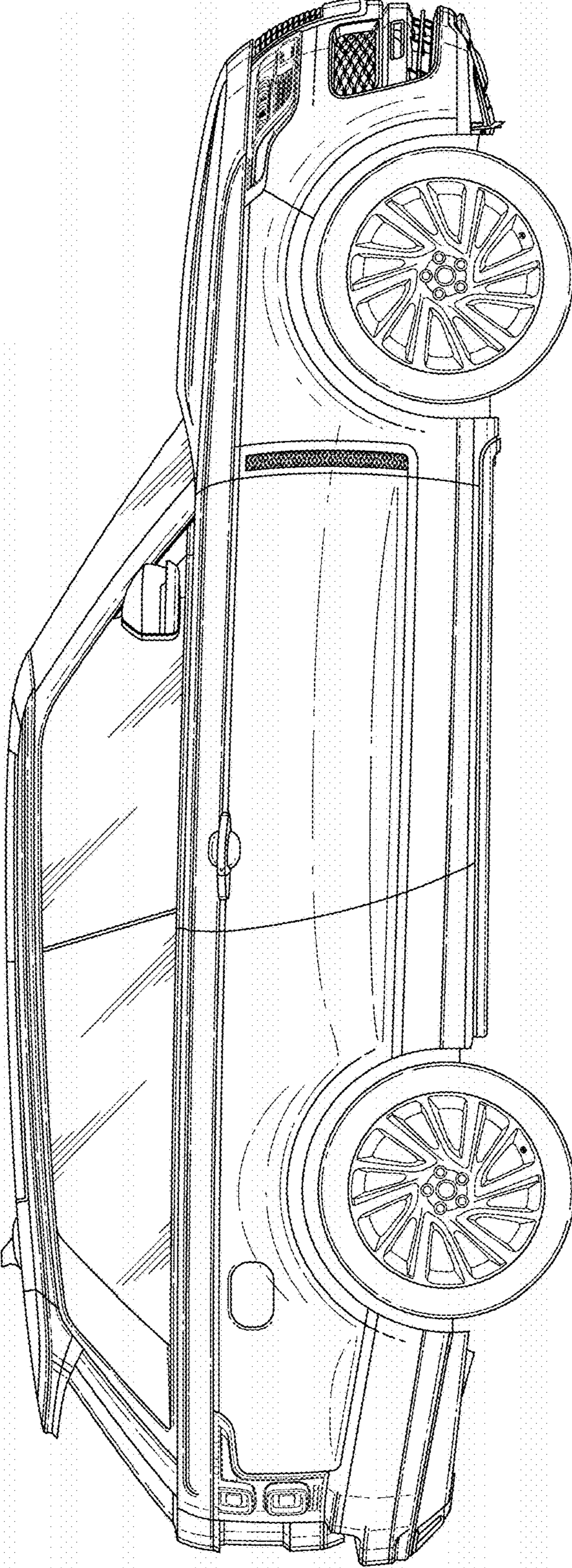


FIG. 5

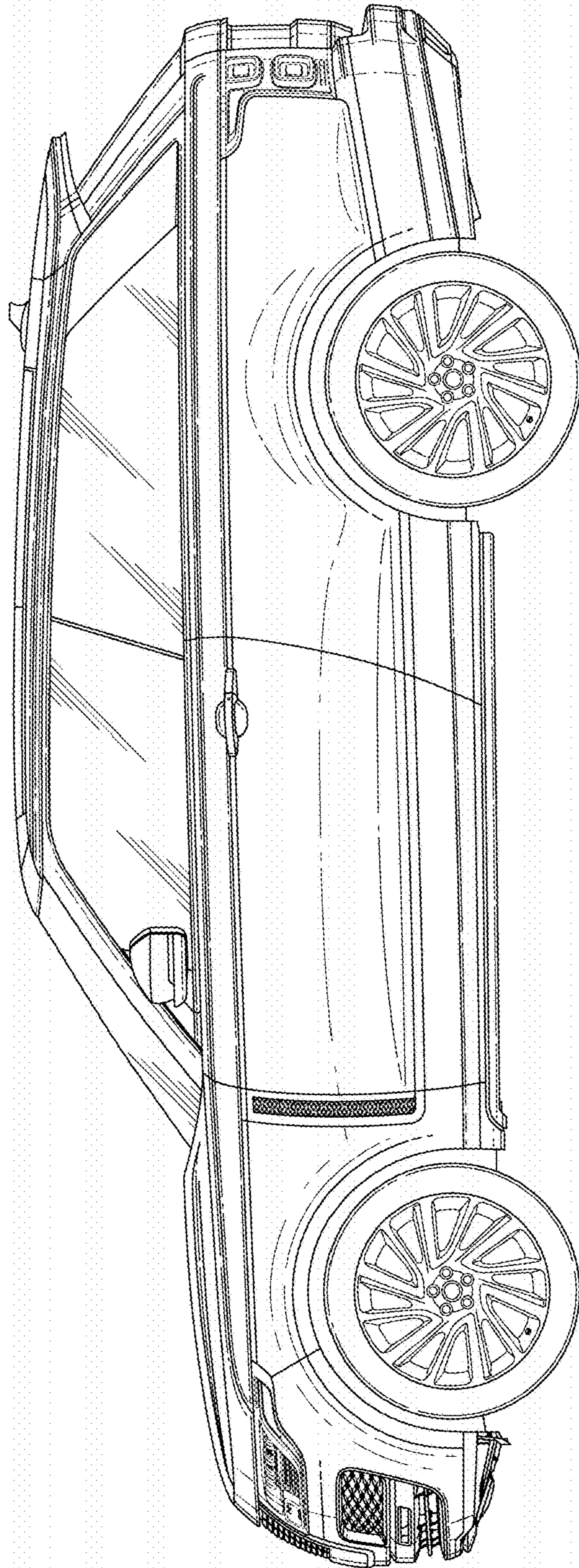


FIG. 6

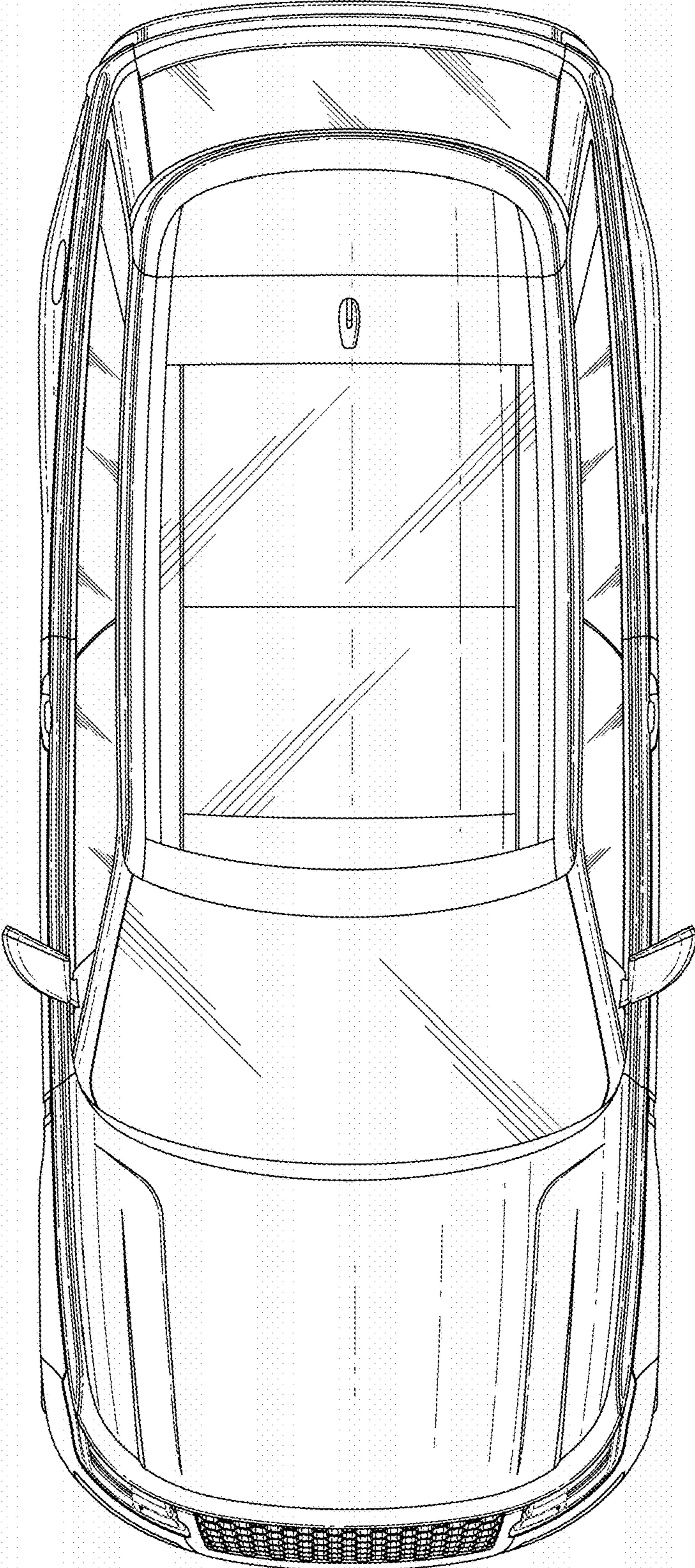


FIG. 7