

US00D860049S

(12) **United States Design Patent** (10) **Patent No.:** **US D860,049 S**
Takahashi et al. (45) **Date of Patent:** **** Sep. 17, 2019**

- (54) **PASSENGER CARRYING CAR**
- (71) Applicants: **CENTRAL JAPAN RAILWAY COMPANY**, Nagoya, Aichi (JP); **NIPPON SHARYO, LTD.**, Nagoya, Aichi (JP)
- (72) Inventors: **Yukio Takahashi**, Nagoya (JP); **Yuya Futamura**, Nagoya (JP); **Koichi Hayashi**, Nagoya (JP); **Hiroki Tanaka**, Nagoya (JP); **Naoya Ozawa**, Nagoya (JP); **Naoyuki Maruyama**, Nagoya (JP)
- (73) Assignees: **CENTRAL JAPAN RAILWAY COMPANY**, Nagoya (JP); **NIPPON SHARYO, LTD.**, Nagoya (JP)
- (**) Term: **15 Years**
- (21) Appl. No.: **29/547,843**
- (22) Filed: **Dec. 8, 2015**

Related U.S. Application Data

- (62) Division of application No. 29/455,473, filed on May 21, 2013, now Pat. No. Des. 757,605.

Foreign Application Priority Data

- Nov. 21, 2012 (JP) 2012-028580
- Nov. 21, 2012 (JP) 2012-028582

(Continued)

- (51) **LOC (12) Cl.** **12-03**
- (52) **U.S. Cl.**
USPC **D12/42**
- (58) **Field of Classification Search**
USPC D12/36-51, 320, 195, 345, 99; D11/155;
D5/63; 181/290; 105/404, 396, 397;
D25/168-164, 58

(Continued)

(56) **References Cited**

U.S. PATENT DOCUMENTS

- D118,272 S * 12/1939 Verhagen D12/44
- 2,217,688 A * 10/1940 Larson B60R 5/003
362/484

(Continued)

OTHER PUBLICATIONS

- Oct. 4, 2018 Office Action issued in U.S. Appl. No. 29/547,850.
- Apr. 19, 2019 Office Action issued in U.S. Appl. No. 29/547,850.

Primary Examiner — T Chase Nelson

Assistant Examiner — Ania Aman

(74) *Attorney, Agent, or Firm* — Oliff PLC

(57) **CLAIM**

The ornamental design for a passenger carrying car, as shown and described.

DESCRIPTION

FIG. 1 is a side view of a passenger carrying car;
 FIG. 2 is a top view thereof;
 FIG. 3 is an enlarged cross sectional view thereof taken along lines 3-3 in FIG. 1;
 FIG. 4 is a partially enlarged view thereof defined by the areas 4' in FIG. 2 and taken along the lines 4-4 in FIG. 2;
 FIG. 5 is a partially enlarged view thereof defined by the areas 5' in FIG. 2 and taken along the lines 5-5 in FIG. 2;
 FIG. 6 is a partially enlarged cross sectional view thereof defined by the area 6' in FIG. 4;
 FIG. 7 is a partially enlarged cross sectional view thereof defined by the area 7' in FIG. 2 and taken along the lines 7-7 in FIG. 3;
 FIG. 8 is a partially enlarged cross sectional view thereof defined by the area 8' in FIG. 7;
 FIG. 9 is a partially enlarged view thereof defined by the broken line box 9 in FIG. 7;
 FIG. 10 is a partially enlarged cross sectional view thereof defined by the area 10' in FIG. 2 and taken along the lines 10-10 in FIG. 3;

(Continued)

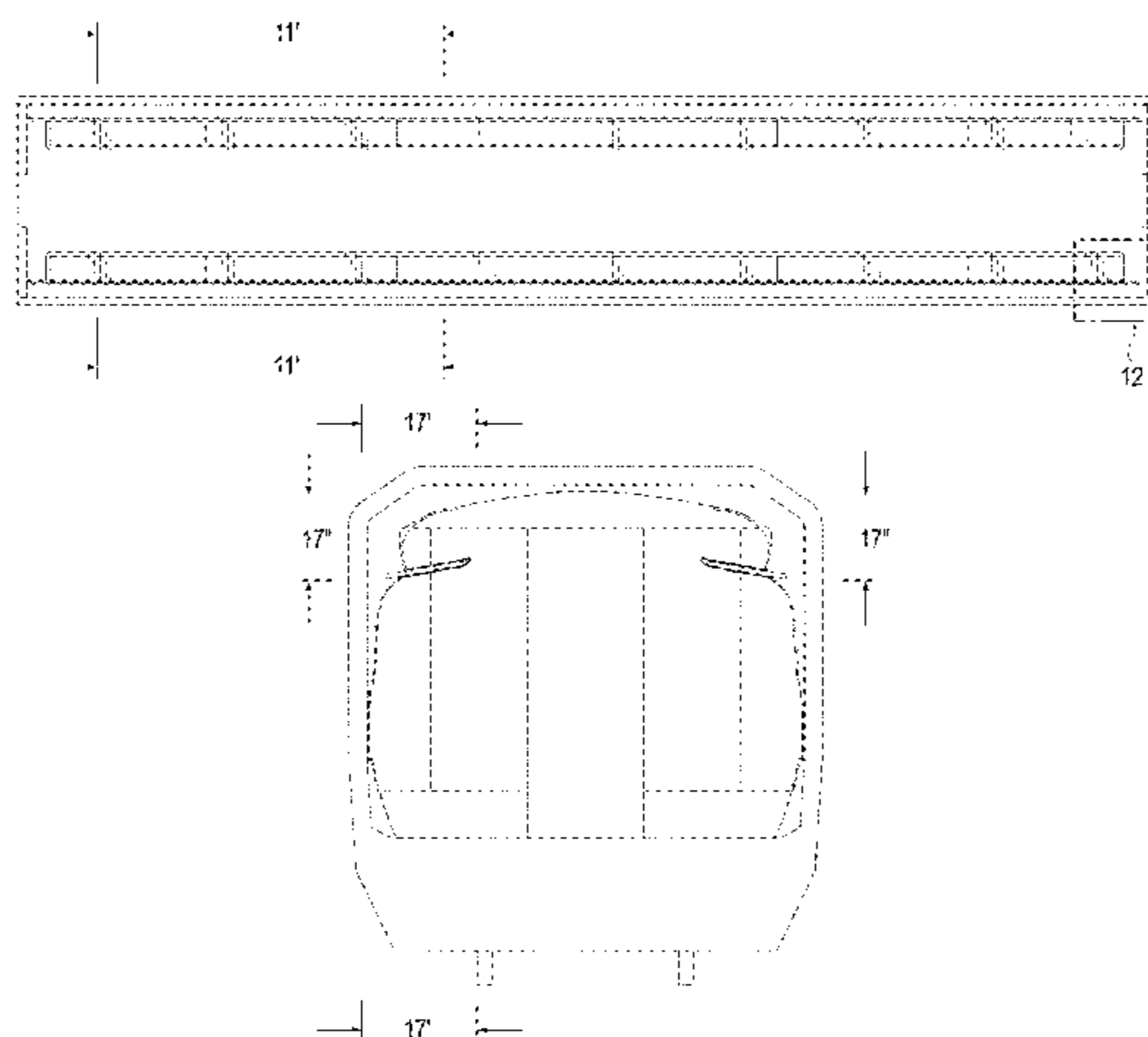


FIG. 11 is a partially enlarged cross sectional view thereof defined by the area 11' in FIG. 10;
 FIG. 12 is a partially enlarged view thereof defined by the broken line box 12 in FIG. 10;
 FIG. 13 is a partially enlarged cross sectional view thereof defined by the area 13' in FIG. 3 and taken along the lines 13-13 in FIG. 3;
 FIG. 14 is a partially enlarged cross sectional view thereof defined by the area 14' in FIG. 13;
 FIG. 15 is a partially enlarged view thereof defined by the broken line box 15 in FIG. 13;
 FIG. 16 is another partially enlarged cross sectional view thereof taken along lines 16-16 in FIG. 1; and,
 FIG. 17 is a partially enlarged cross sectional view thereof defined by the areas 17' and 17" in FIG. 16 and taken along the lines 17-17 in FIG. 13.
 The broken lines depict environmental subject matter only and form no part of the claimed design.

1 Claim, 11 Drawing Sheets

(30) **Foreign Application Priority Data**

Nov. 21, 2012 (JP) 2012-028583
 Nov. 21, 2012 (JP) 2012-028584
 Nov. 21, 2012 (JP) 2012-028585

(58) **Field of Classification Search**

CPC B61D 17/12; B61D 17/06; B61D 17/02;
 B61D 17/005; B61D 27/00; B61D
 17/045; B61D 17/00; B61D 29/00; B61D
 17/041; B61D 17/07; Y02T 30/32; B60Q
 3/25; B60Q 3/0256; B60Q 3/02
 See application file for complete search history.

(56) **References Cited**

U.S. PATENT DOCUMENTS

D128,507	S	*	7/1941	Stewart	211/134
2,284,356	A	*	5/1942	Arenberg	B60R 5/003 105/325
D146,982	S	*	6/1947	Phillips	D12/44
2,494,690	A	*	1/1950	Cerny		
2,882,836	A	*	4/1959	Dean	B60R 5/003 105/329.1
2,887,802	A	*	5/1959	Burmeister	B61D 37/003 108/23
2,925,050	A	*	2/1960	Candlin, Jr.	B61D 17/08 105/397
3,046,179	A		7/1962	Stallard		
D209,877	S	*	1/1968	Sundberg	D12/195
4,993,329	A		2/1991	Takeich et al.		
D437,810	S		2/2001	Runfola		
D721,445	S		1/2015	Kugler		
2006/0219716	A1	*	10/2006	Todori	B61D 37/003 220/1.5
2015/0314794	A1	*	11/2015	Takahashi	B61D 17/18 105/397

* cited by examiner

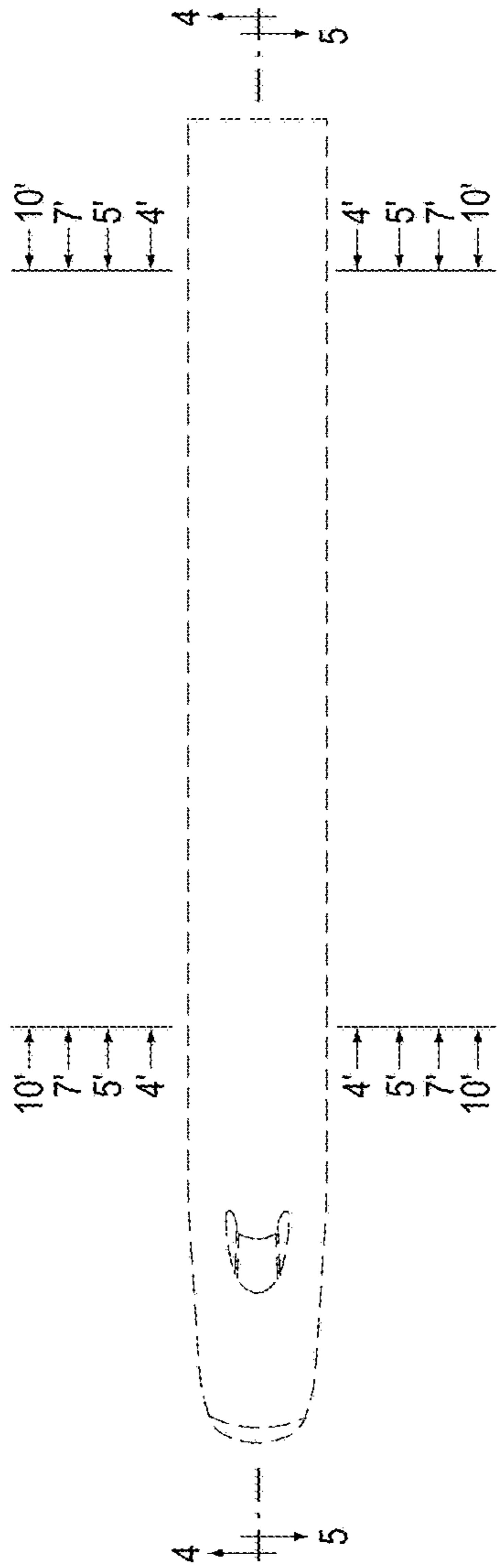


FIG. 2

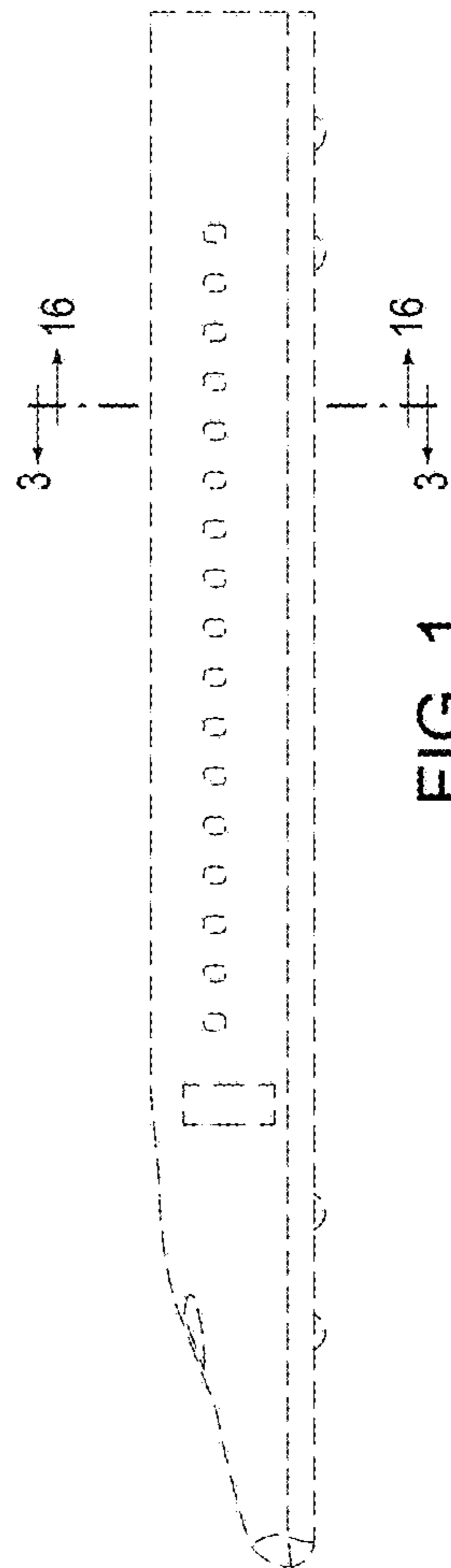


FIG. 1

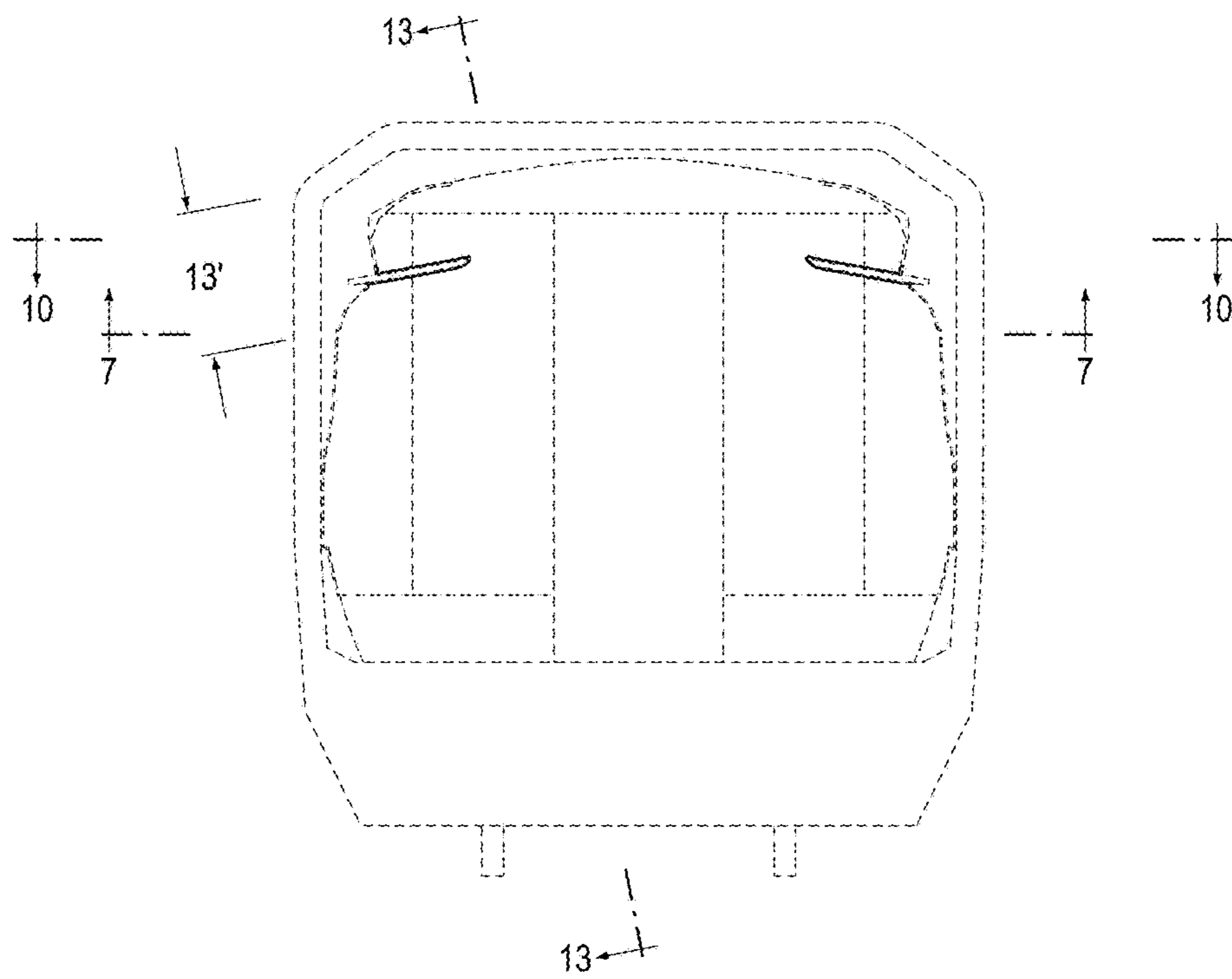


FIG. 3

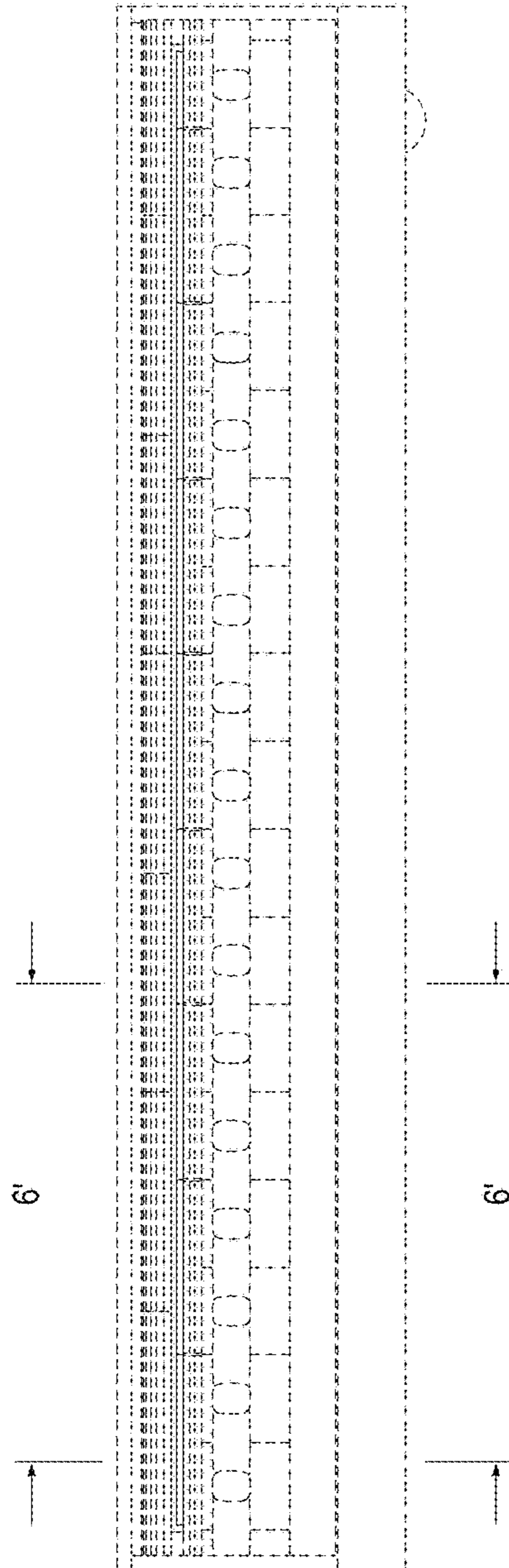


FIG. 4

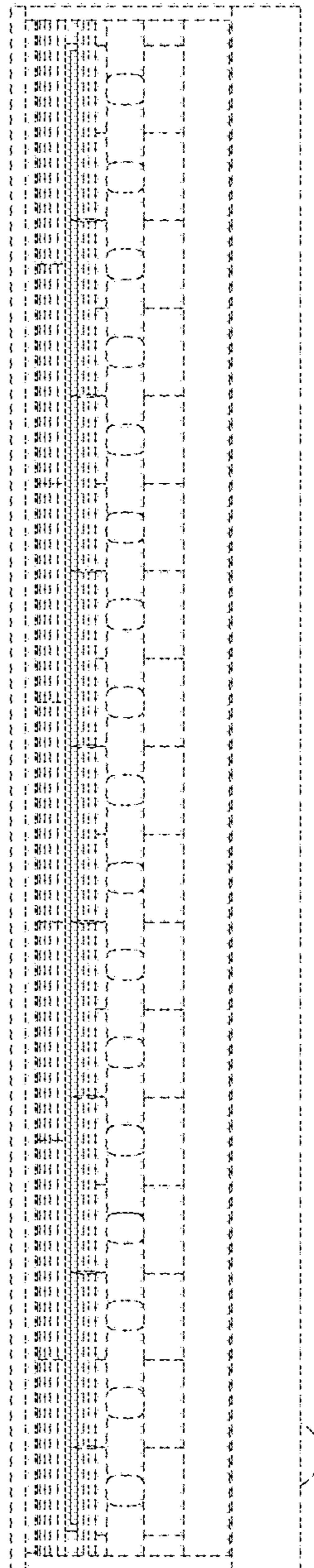


FIG. 5

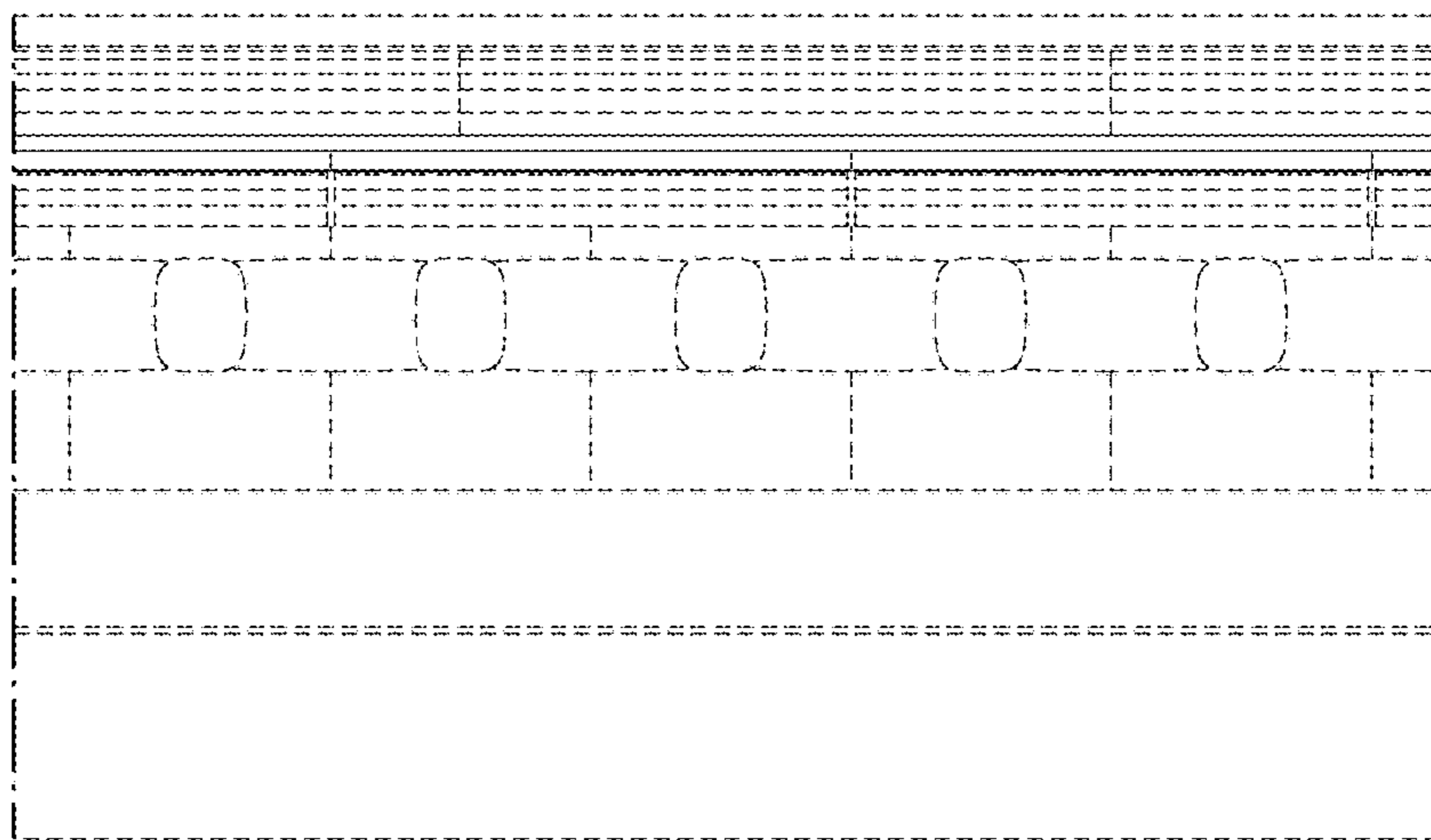


FIG. 6

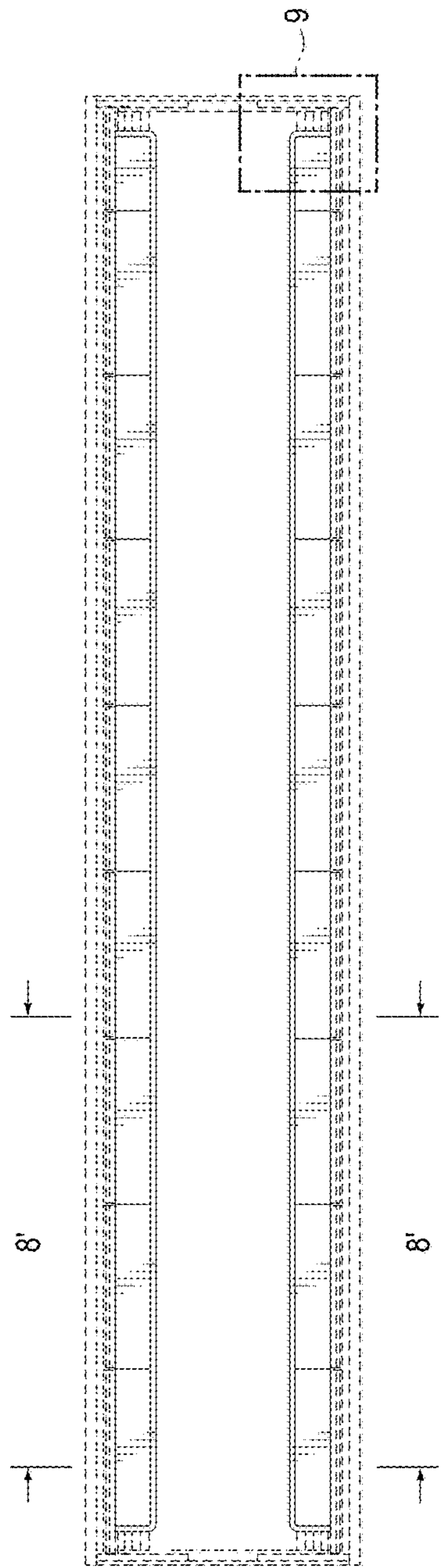


FIG. 7

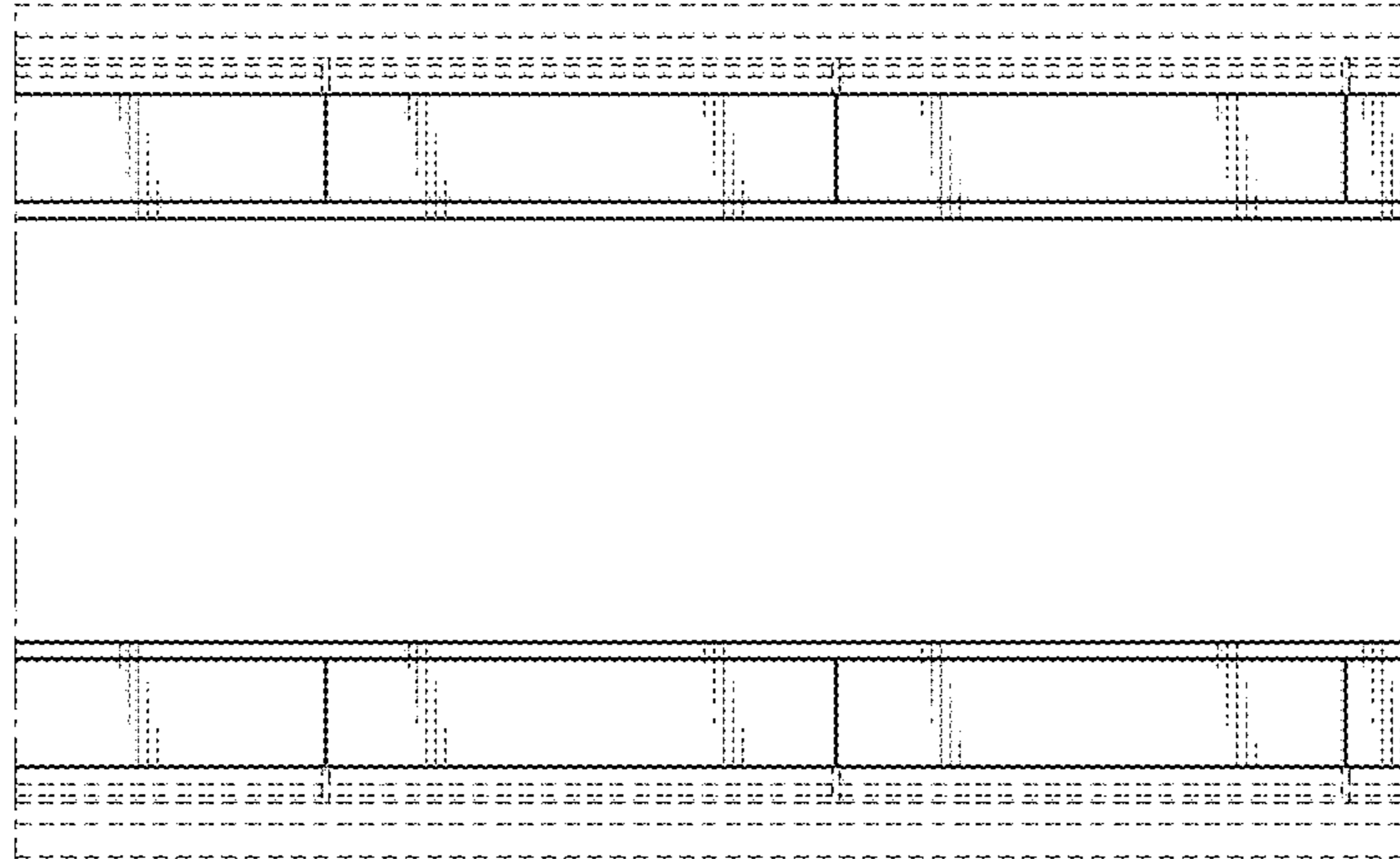


FIG. 8

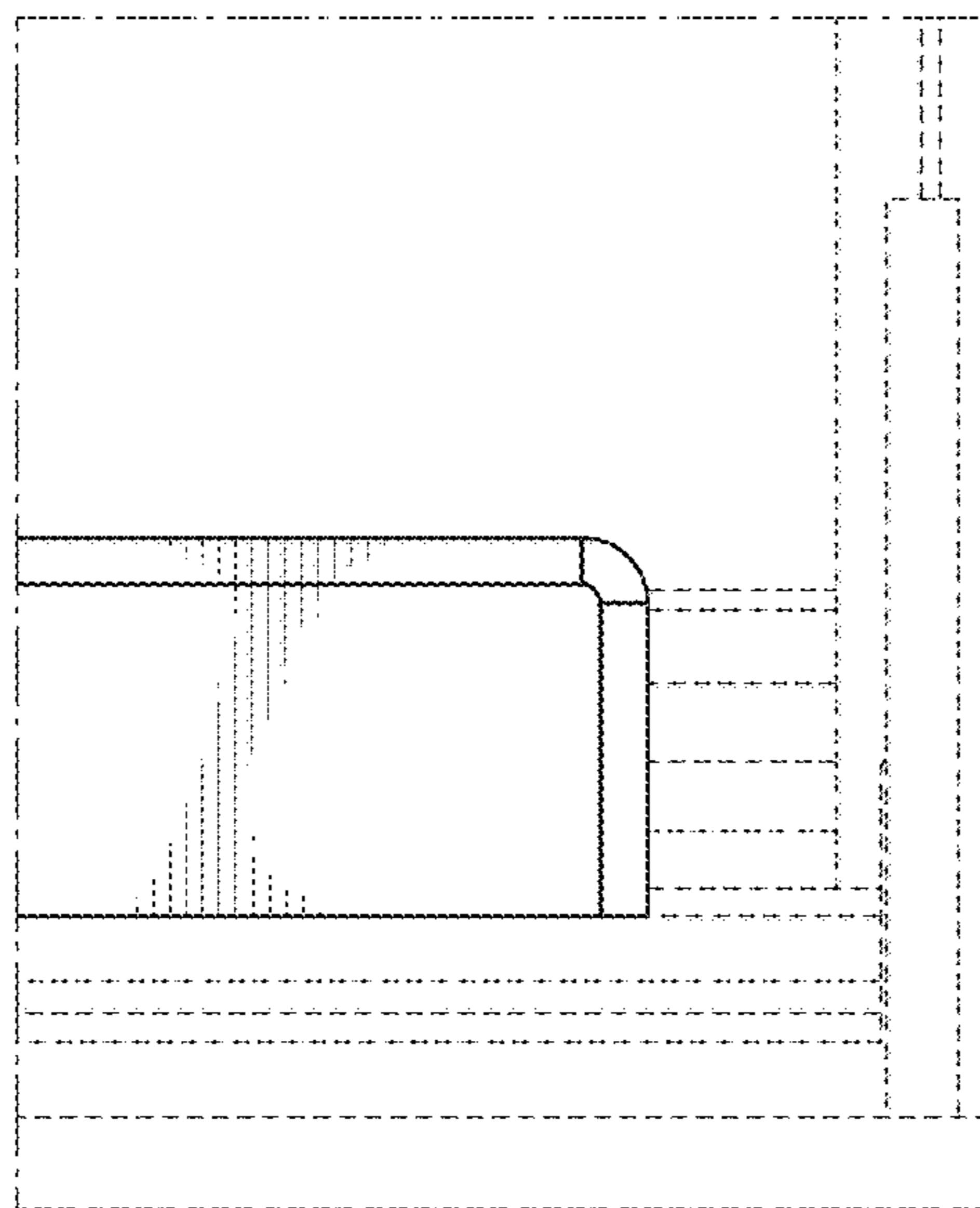


FIG. 9

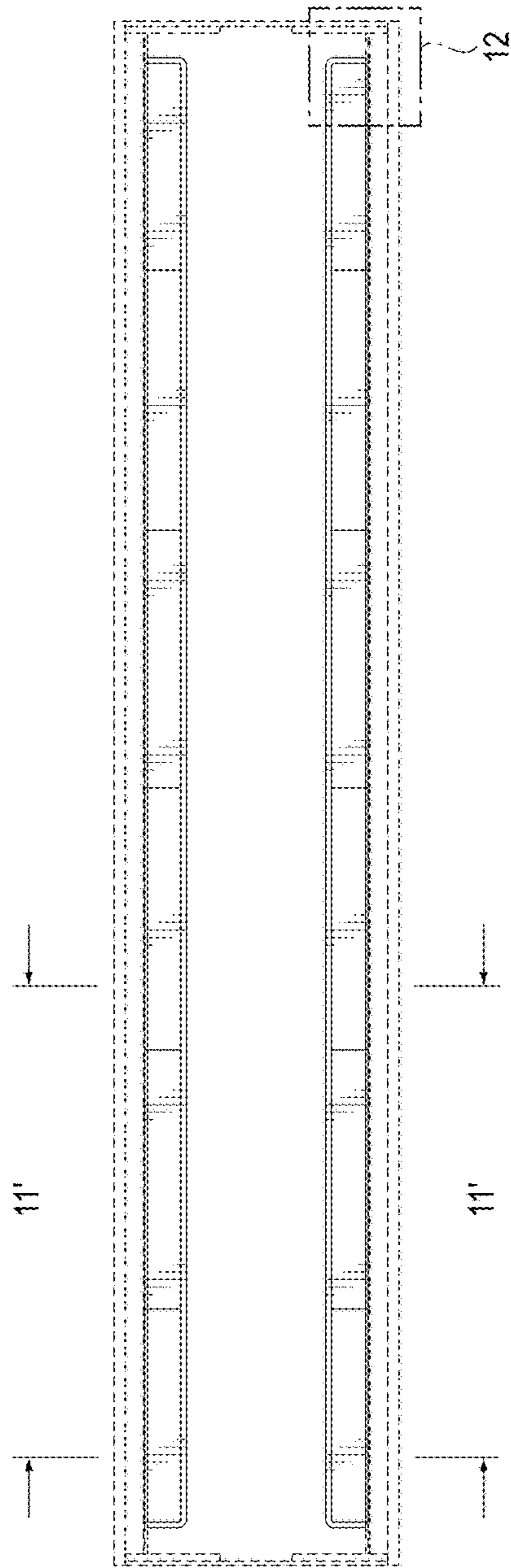


FIG. 10

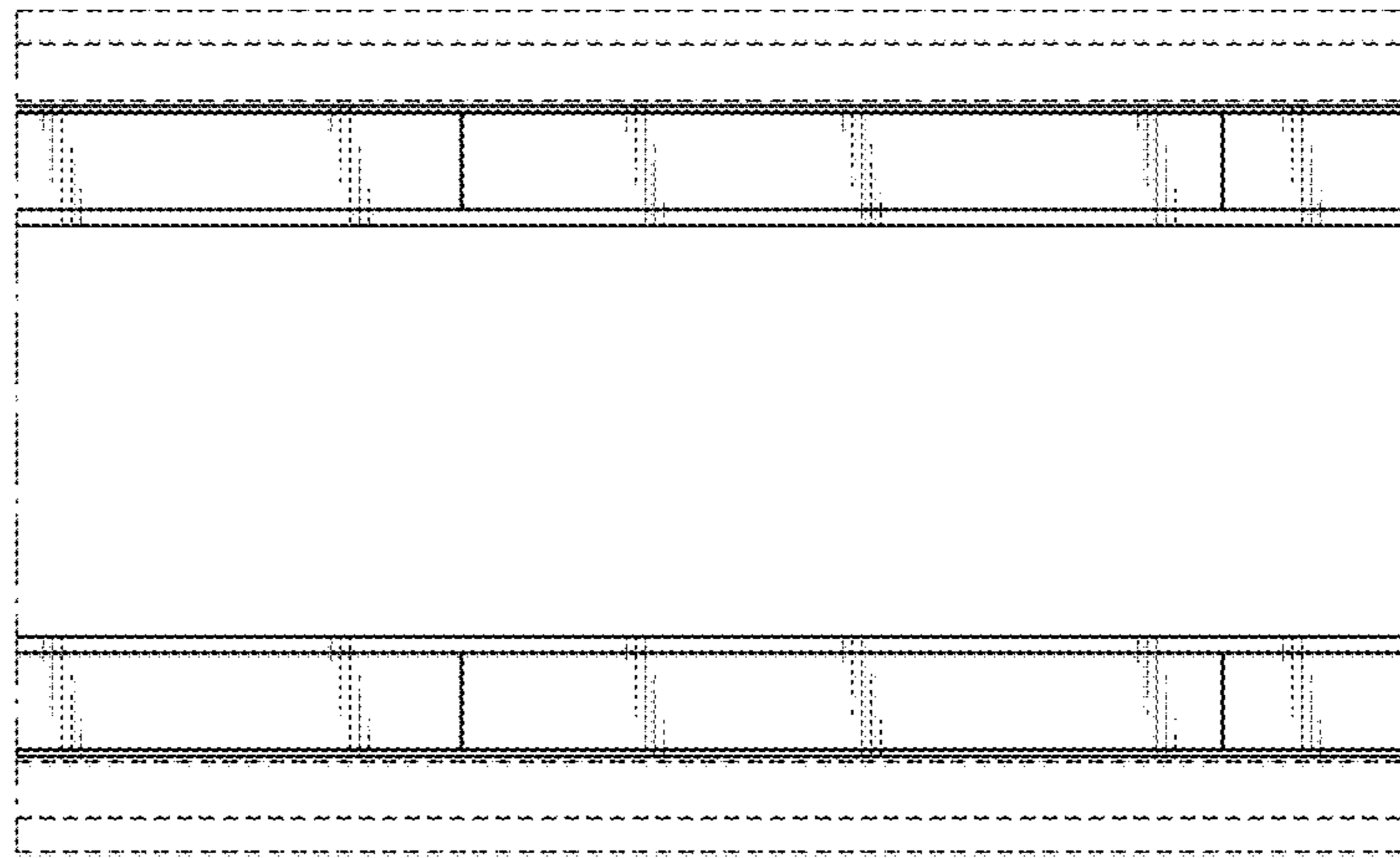


FIG. 11

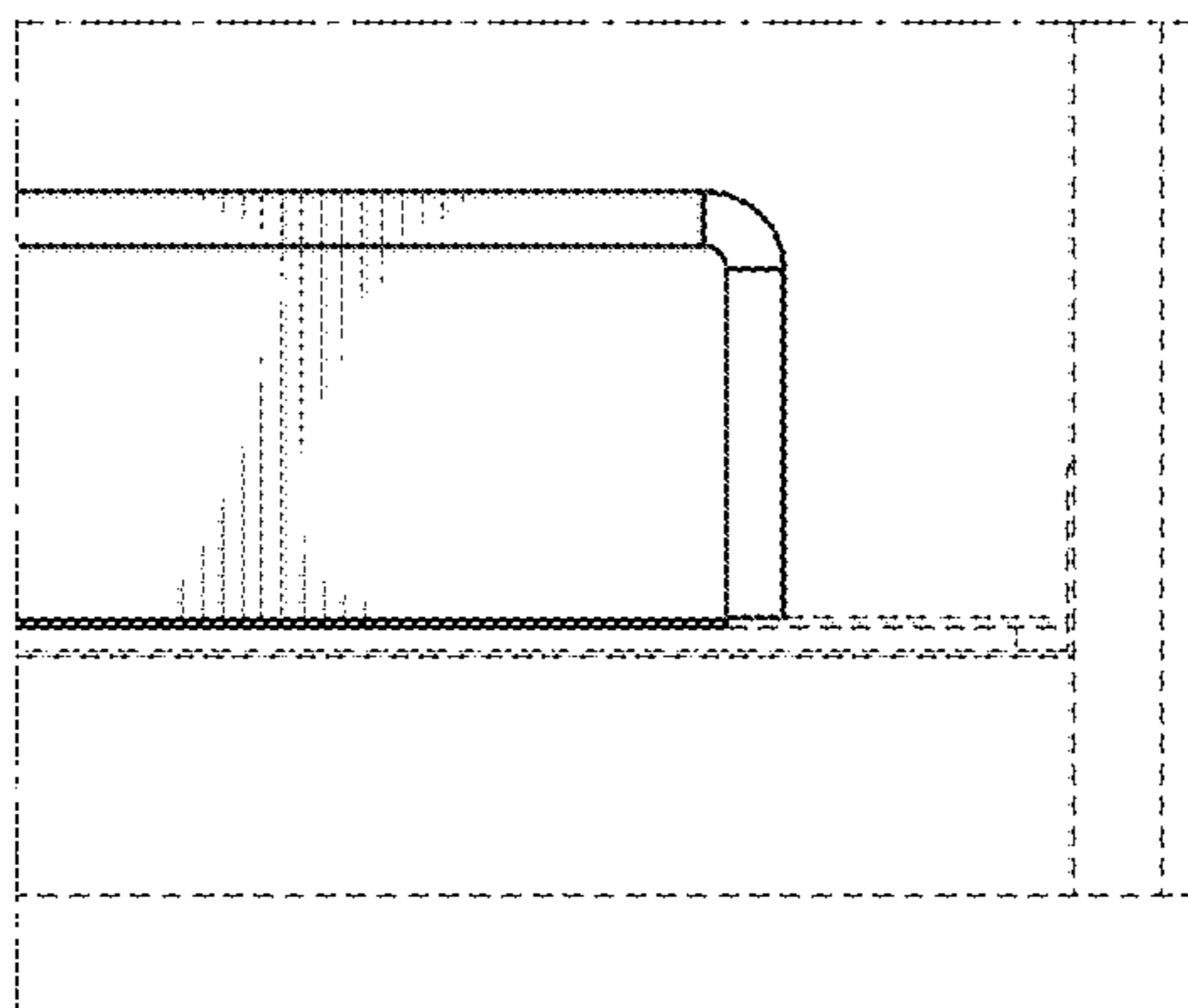


FIG. 12

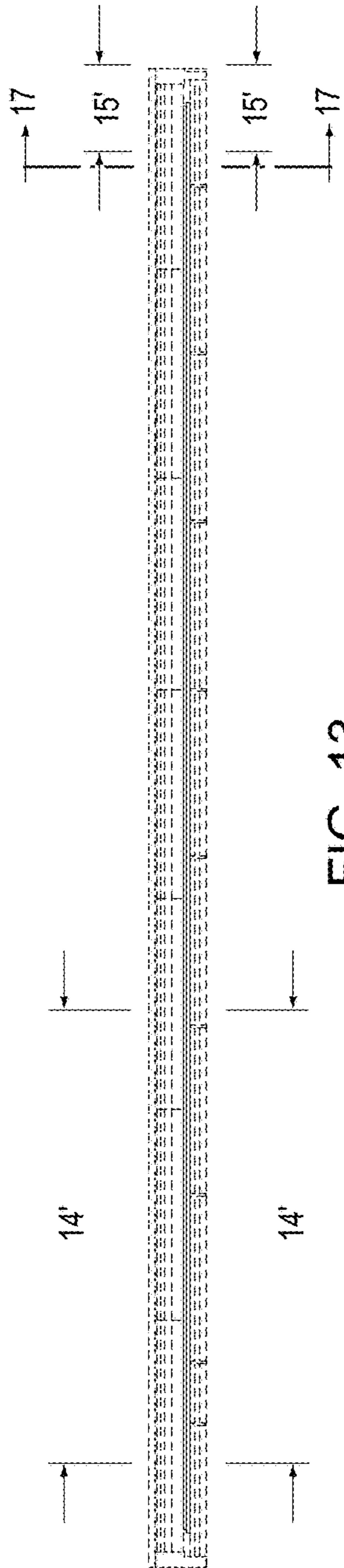


FIG. 13

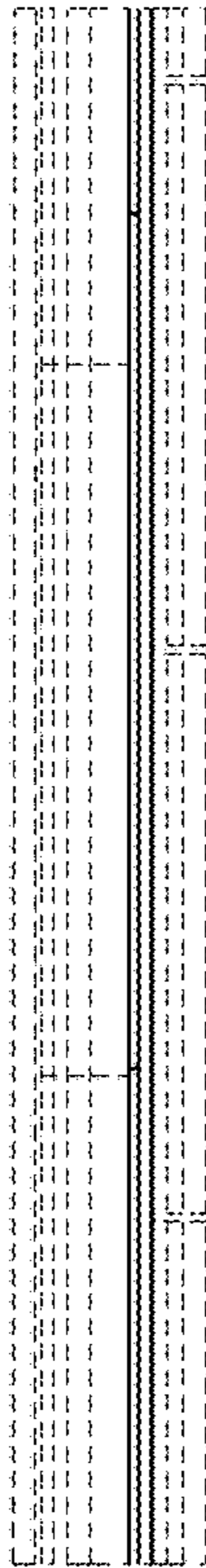


FIG. 14

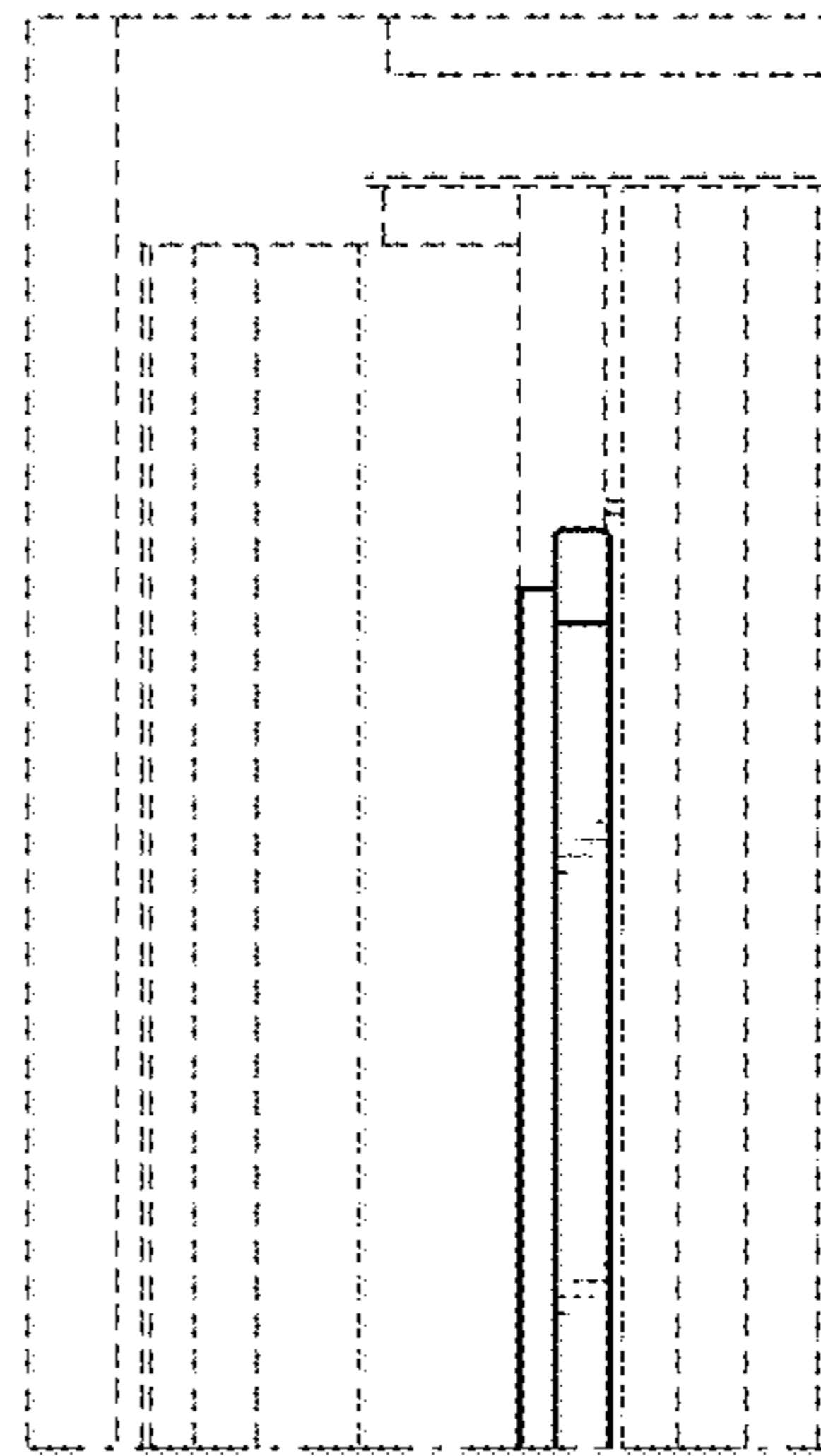


FIG. 15

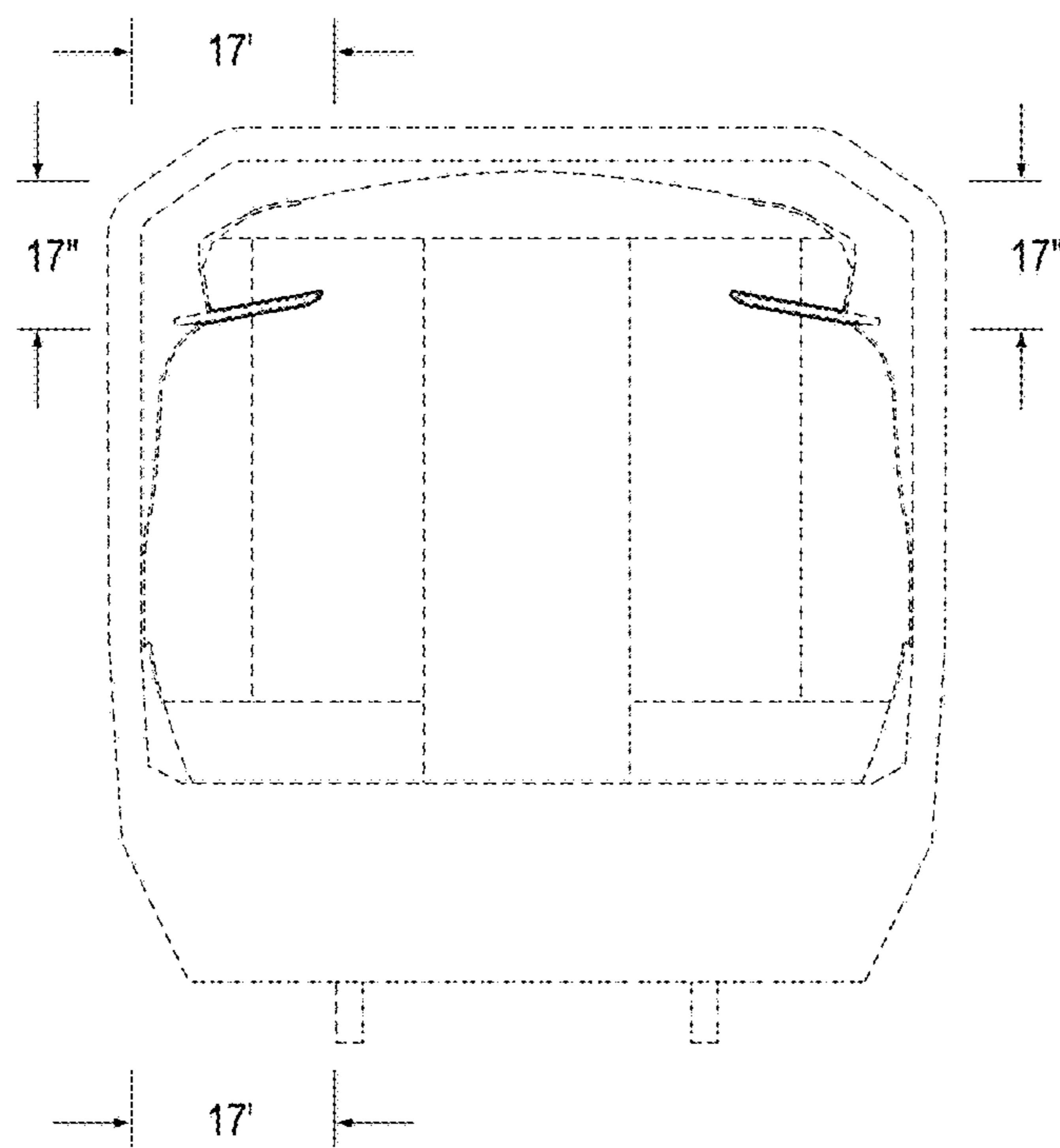


FIG. 16

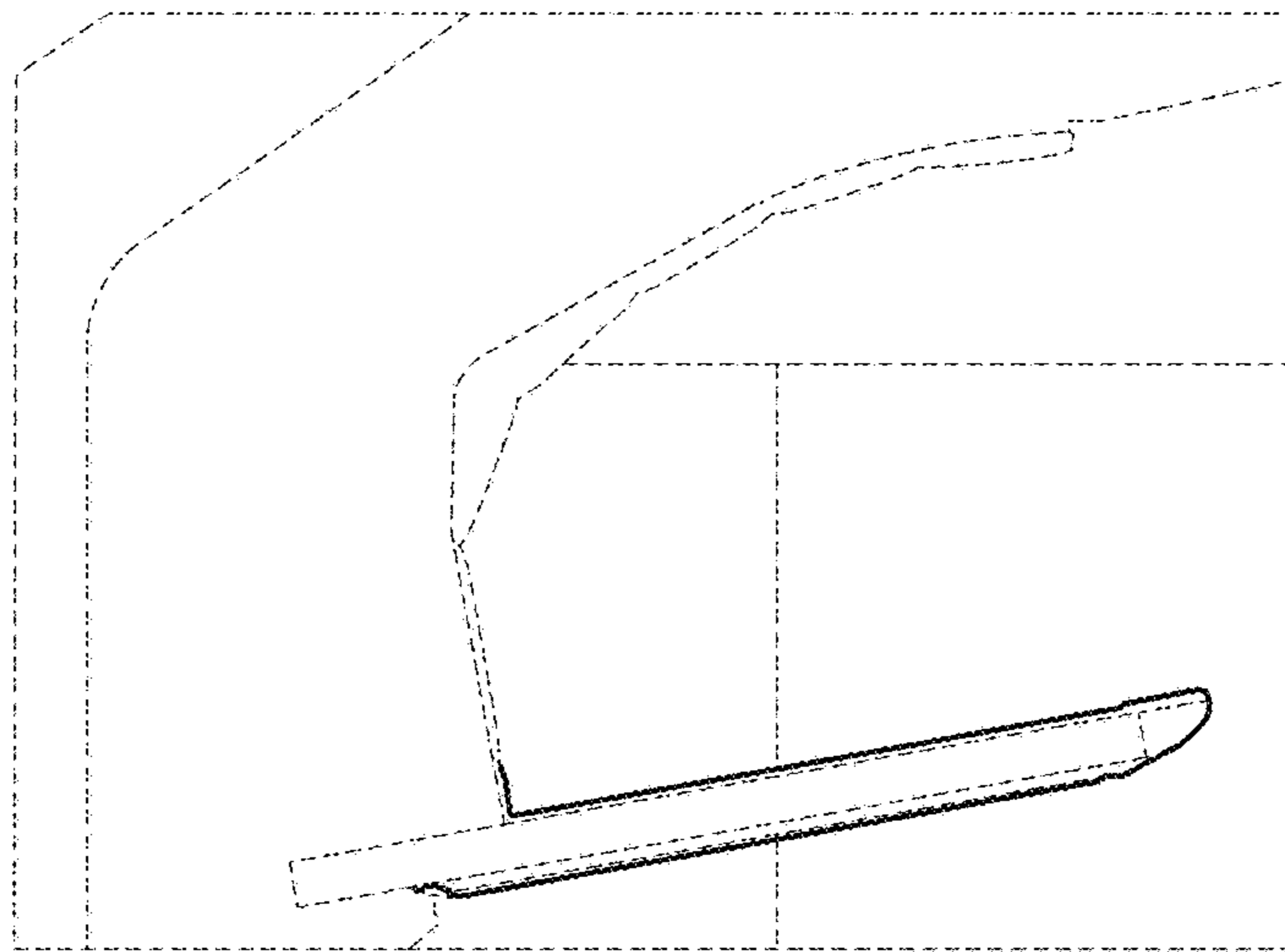


FIG. 17