



US00D860047S

(12) **United States Design Patent**  
**Gan**

(10) **Patent No.:** **US D860,047 S**

(45) **Date of Patent:** **\*\* Sep. 17, 2019**

(54) **UNMANNED AERIAL VEHICLE**  
(71) Applicant: **Shenzhen Valuelink E-Commerce Co., Ltd.**, Shenzhen (CN)

D691,514 S \* 10/2013 Wang ..... D12/16.1  
D710,452 S \* 8/2014 Barajas ..... D12/16.1  
D710,453 S \* 8/2014 Barajas ..... D12/16.1  
D710,454 S \* 8/2014 Barajas ..... D12/16.1  
8,983,682 B1 \* 3/2015 Peeters ..... B64C 39/024  
244/190

(72) Inventor: **Qing-Cao Gan**, Shenzhen (CN)  
(73) Assignee: **Shenzhen Valuelink E-Commerce Co., Ltd.**, Shenzhen (CN)

(Continued)

*Primary Examiner* — Marissa J Cash  
(74) *Attorney, Agent, or Firm* — ScienBiziP, P.C.

(\*\*) Term: **15 Years**  
(21) Appl. No.: **29/644,710**  
(22) Filed: **Apr. 19, 2018**

(57) **CLAIM**  
The ornamental design for an unmanned aerial vehicle, as shown and described.

(30) **Foreign Application Priority Data**  
Apr. 8, 2018 (CN) ..... 2018 3 0138176  
(51) **LOC (12) Cl.** ..... **12-01**  
(52) **U.S. Cl.**  
USPC ..... **D12/16.1**  
(58) **Field of Classification Search**  
USPC ..... D12/319–345, 1–4, 16.1, 214;  
D21/436–454; D30/160  
CPC ..... B64C 29/0025; B64C 2201/108; B64C  
2201/048; B64C 2201/088; B64C 29/00;  
B64C 29/0058; B64C 39/001; B64C  
39/024; B64C 39/062; B64C 2201/141;  
B64C 27/12  
See application file for complete search history.

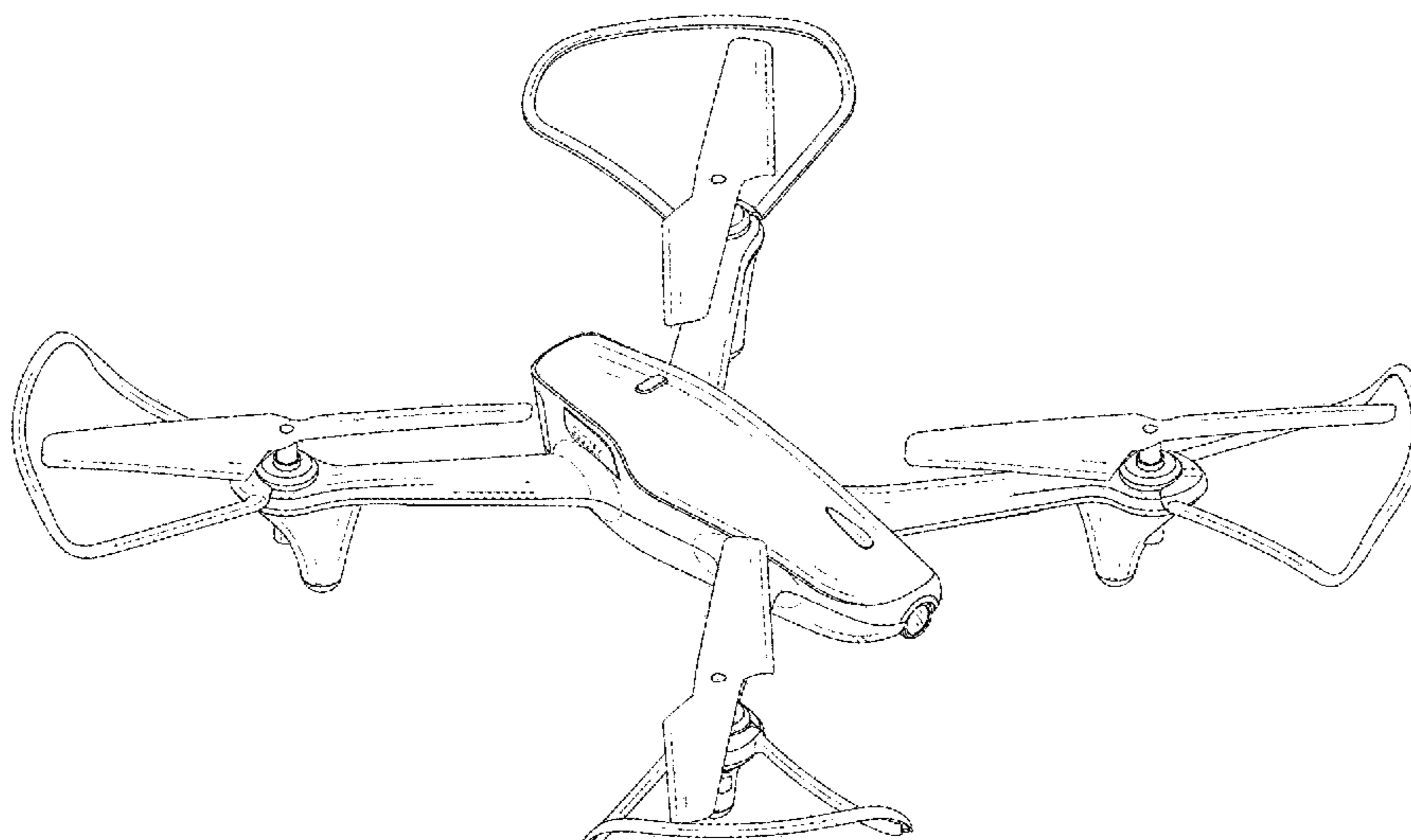
**DESCRIPTION**

FIG. 1 is a top perspective view of an unmanned aerial vehicle, showing the claimed design;  
FIG. 2 is a bottom perspective view thereof;  
FIG. 3 is a front elevation view thereof;  
FIG. 4 is a rear elevation view thereof;  
FIG. 5 is a left side elevation view thereof;  
FIG. 6 is a right side elevation view thereof;  
FIG. 7 is a top plan view thereof; and  
FIG. 8 is a bottom plan view thereof;  
FIG. 9 is an enlarged view of design features comprised within a circle 9 in FIG. 2;  
FIG. 10 is an enlarged view of design features comprised within a circle 10 in FIG. 2;  
FIG. 11 is an enlarged view of design features comprised within a circle 11 in FIG. 3;  
FIG. 12 is an enlarged view of design features comprised within a circle 12 in FIG. 4; and,  
FIG. 13 is an enlarged view of design features comprised within a circle 13 in FIG. 8.

In the drawings, the claimed design is defined by the shaded surfaces; broken lines immediately adjacent shaded surfaces represent boundaries of the claim and form no part thereof; all other broken lines depict portions of the unmanned aerial vehicle that form no part of the claim.

(56) **References Cited**  
U.S. PATENT DOCUMENTS  
D189,462 S \* 12/1960 Vogt ..... D12/329  
D197,038 S \* 12/1963 Howard ..... D12/329  
D465,196 S \* 11/2002 Dammar ..... D12/328  
D628,658 S \* 12/2010 Wurm ..... D21/442  
8,016,226 B1 \* 9/2011 Wood ..... B64C 29/0033  
244/12.4  
D648,809 S \* 11/2011 Seydoux ..... D21/441  
D659,771 S \* 5/2012 Seydoux ..... D21/441

**1 Claim, 13 Drawing Sheets**



(56)

**References Cited**

U.S. PATENT DOCUMENTS

|           |      |         |                   |             |              |      |         |                   |              |
|-----------|------|---------|-------------------|-------------|--------------|------|---------|-------------------|--------------|
| 9,051,043 | B1 * | 6/2015  | Peeters .....     | B64C 19/00  | D803,328     | S *  | 11/2017 | Lee .....         | D21/441      |
| 9,199,733 | B2 * | 12/2015 | Keennon .....     | B64C 27/12  | D805,425     | S *  | 12/2017 | Hanscom .....     | D11/202      |
| D756,842  | S *  | 5/2016  | Ashjaee .....     | D12/16.1    | D806,606     | S *  | 1/2018  | Morrison .....    | D12/16.1     |
| D759,764  | S *  | 6/2016  | Lai .....         | D12/16.1    | D808,301     | S *  | 1/2018  | Goldy .....       | D12/16.1     |
| 9,359,070 | B2 * | 6/2016  | Caubel .....      | B64C 27/08  | 9,868,524    | B2 * | 1/2018  | Welsh .....       | B64C 39/024  |
| D760,848  | S *  | 7/2016  | McKenna .....     | D12/16.1    | D809,970     | S *  | 2/2018  | Zhou .....        | D12/16.1     |
| D761,690  | S *  | 7/2016  | Friesmuth .....   | D12/16.1    | D813,723     | S *  | 3/2018  | Ahn .....         | D12/16.1     |
| 9,387,927 | B2 * | 7/2016  | Rischmuller ..... | B64C 39/024 | D813,724     | S *  | 3/2018  | Hu .....          | D12/16.1     |
| D763,134  | S *  | 8/2016  | Wang .....        | D12/16.1    | 9,927,682    | B2 * | 3/2018  | Fisher .....      | G03B 15/006  |
| D767,043  | S *  | 9/2016  | Morrison .....    | D12/16.1    | D814,385     | S *  | 4/2018  | Zhao .....        | D12/328      |
| D768,539  | S *  | 10/2016 | Lee .....         | D12/16.1    | D814,970     | S *  | 4/2018  | Chen .....        | D12/16.1     |
| D768,540  | S *  | 10/2016 | Ji .....          | D12/16.1    | D814,971     | S *  | 4/2018  | Huang .....       | D12/16.1     |
| D768,789  | S *  | 10/2016 | Fargeau .....     | D12/16.1    | D814,972     | S *  | 4/2018  | Ahn .....         | D12/16.1     |
| D770,572  | S *  | 11/2016 | Caubel .....      | D21/441     | D816,546     | S *  | 5/2018  | Wang .....        | D12/16.1     |
| D772,756  | S *  | 11/2016 | Gambus .....      | D12/16.1    | D818,872     | S *  | 5/2018  | Ho .....          | D12/16.1     |
| D772,991  | S *  | 11/2016 | Caubel .....      | D12/16.1    | D818,874     | S *  | 5/2018  | Tian .....        | D12/16.1     |
| D777,263  | S *  | 1/2017  | Lavagen .....     | D12/16.1    | 9,979,000    | B2 * | 5/2018  | Qiu .....         | B64C 39/024  |
| 9,540,121 | B2 * | 1/2017  | Byers .....       | B64C 39/024 | 9,986,233    | B1 * | 5/2018  | Curlander .....   | H04N 17/002  |
| 9,550,400 | B2 * | 1/2017  | Hutson .....      | B60F 5/02   | 10,011,346   | B2 * | 7/2018  | Beckman .....     | B64C 11/18   |
| D779,595  | S *  | 2/2017  | Xiao .....        | D12/16.1    | D825,379     | S *  | 8/2018  | Gury .....        | D12/16.1     |
| 9,567,076 | B2 * | 2/2017  | Zhang .....       | B64C 1/00   | D825,380     | S *  | 8/2018  | Tompkin .....     | D12/16.1     |
| D782,366  | S *  | 3/2017  | Xiao .....        | D12/16.1    | D825,669     | S *  | 8/2018  | Tompkin .....     | D21/441      |
| 9,592,910 | B1 * | 3/2017  | Beckman .....     | B64C 27/463 | 10,053,213   | B1 * | 8/2018  | Tu .....          | B64C 29/0025 |
| 9,594,381 | B1 * | 3/2017  | Clark .....       | G05D 1/101  | D827,723     | S *  | 9/2018  | Barajas .....     | D21/442      |
| 9,599,992 | B2 * | 3/2017  | Kohstall .....    | G05D 1/101  | D829,283     | S *  | 9/2018  | Cai .....         | D21/441      |
| D783,727  | S *  | 4/2017  | Xiao .....        | D21/441     | D830,229     | S *  | 10/2018 | Lutterodt .....   | D12/16.1     |
| D784,201  | S *  | 4/2017  | Goldy .....       | D12/16.1    | D830,896     | S *  | 10/2018 | Lutterodt .....   | D12/16.1     |
| D784,202  | S *  | 4/2017  | Park .....        | D12/16.1    | 10,086,309   | B2 * | 10/2018 | Yamada .....      | A63H 27/12   |
| D784,854  | S *  | 4/2017  | Huang .....       | D12/16.1    | 10,095,087   | B2 * | 10/2018 | Kim .....         | B64C 25/10   |
| D785,541  | S *  | 5/2017  | Du .....          | D12/328     | 10,131,426   | B2 * | 11/2018 | Judas .....       | B64C 29/0025 |
| D785,717  | S *  | 5/2017  | Xiao .....        | D21/441     | 10,131,428   | B1 * | 11/2018 | Sopper .....      | B64C 27/08   |
| 9,682,772 | B2 * | 6/2017  | Yoon .....        | B60F 5/02   | 10,150,563   | B2 * | 12/2018 | Harada .....      | G05B 19/048  |
| D793,482  | S *  | 8/2017  | Wang .....        | D12/16.1    | 10,155,585   | B2 * | 12/2018 | Johannesson ..... | B64C 27/50   |
| D793,486  | S *  | 8/2017  | Lee .....         | D21/453     | 10,185,318   | B2 * | 1/2019  | Enke .....        | G05D 1/0088  |
| D795,967  | S *  | 8/2017  | Haley .....       | D12/16.1    | 10,192,538   | B2 * | 1/2019  | Yamagishi .....   | B64C 39/024  |
| D796,586  | S *  | 9/2017  | Chen .....        | D12/16.1    | 10,203,692   | B2 * | 2/2019  | Smith .....       | G05D 1/0094  |
| D797,859  | S *  | 9/2017  | Caubel .....      | D21/441     | 10,217,367   | B2 * | 2/2019  | Chun .....        | B64C 39/024  |
| D798,961  | S *  | 10/2017 | Li .....          | D21/441     | 10,222,808   | B2 * | 3/2019  | Bardinet .....    | B64C 39/024  |
| D798,962  | S *  | 10/2017 | Xiao .....        | D21/441     | 10,224,526   | B2 * | 3/2019  | Qiu .....         | B64C 39/024  |
| D798,963  | S *  | 10/2017 | Xiao .....        | D21/441     | 2017/0043869 | A1 * | 2/2017  | Howard .....      | B64C 39/024  |
| D800,016  | S *  | 10/2017 | Huang .....       | D12/16.1    | 2017/0144753 | A1 * | 5/2017  | Yu .....          | B64C 39/024  |
| D801,224  | S *  | 10/2017 | Li .....          | D12/16.1    | 2017/0259914 | A1 * | 9/2017  | Bevirt .....      | B64C 27/52   |
| D803,098  | S *  | 11/2017 | Lee .....         | D12/16.1    | 2017/0291697 | A1 * | 10/2017 | Kornatowski ..... | B64C 27/20   |
|           |      |         |                   |             | 2018/0002023 | A1 * | 1/2018  | Tian .....        | B64D 33/08   |

\* cited by examiner

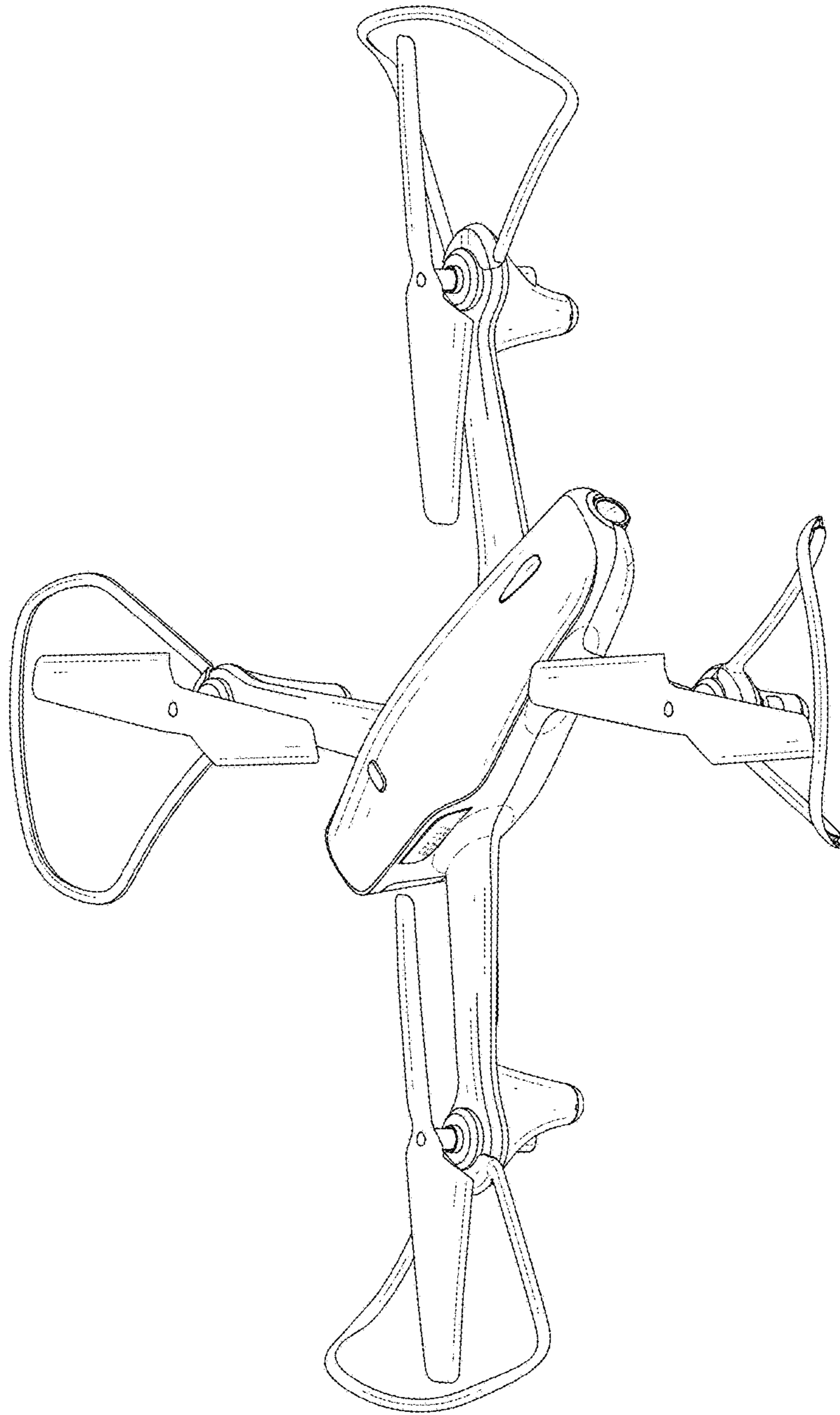


FIG. 1

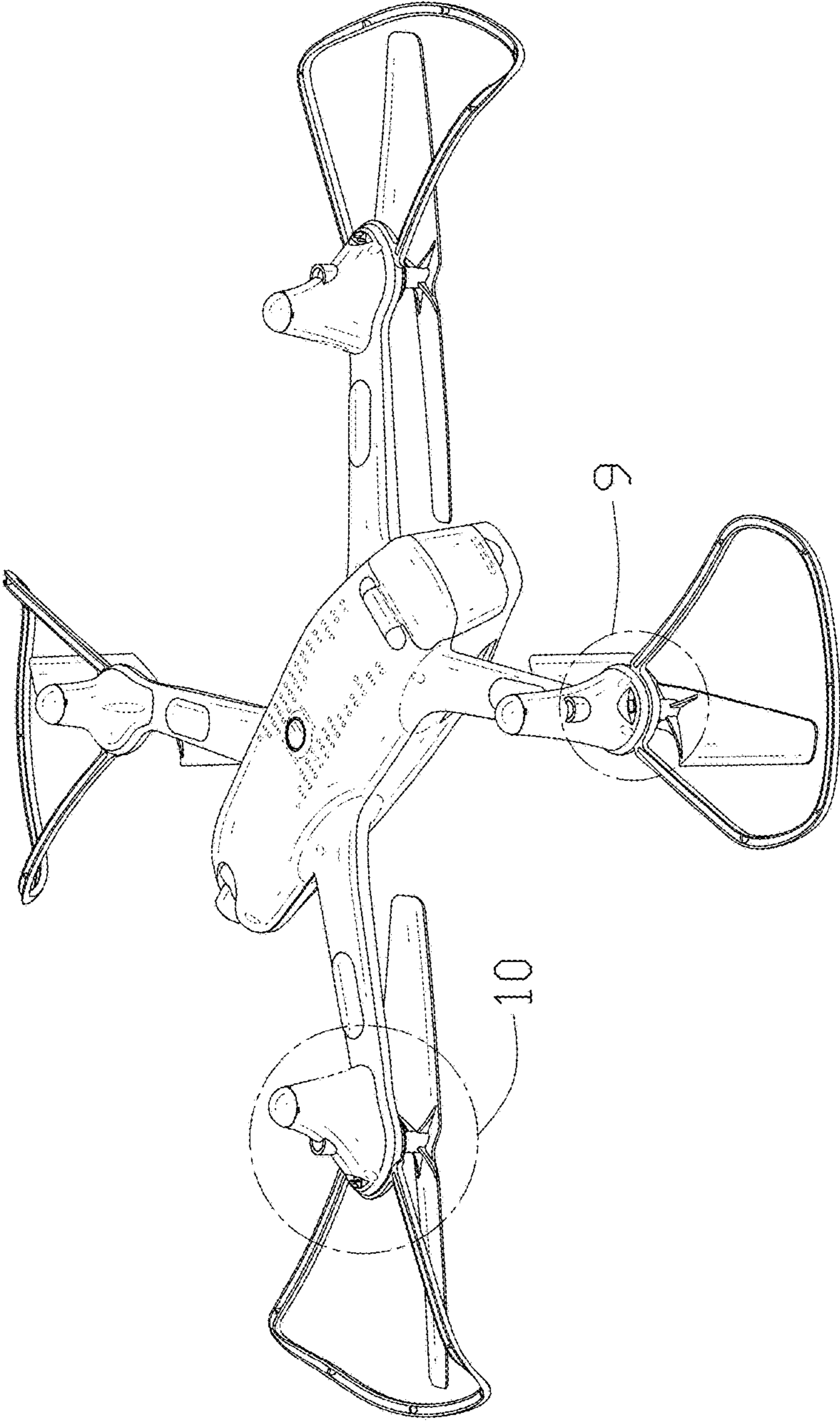


FIG. 2

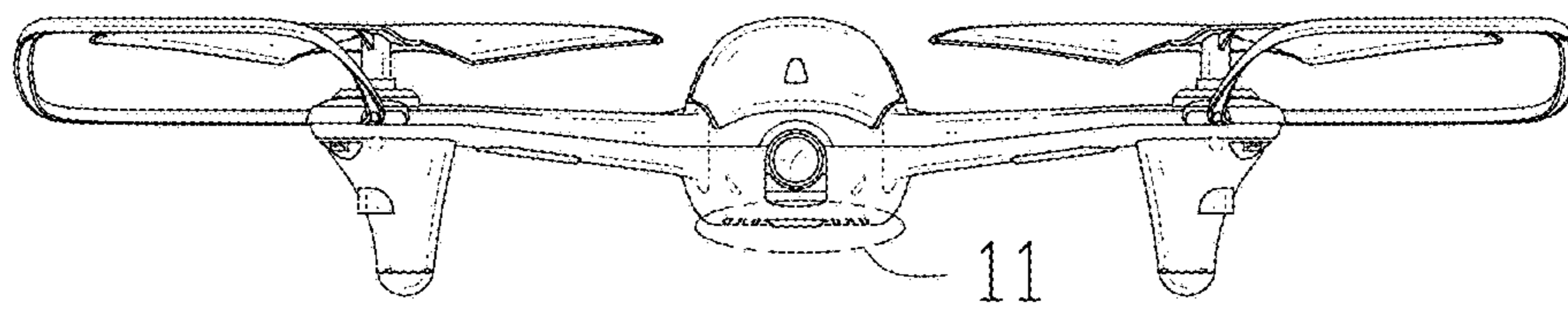


FIG. 3

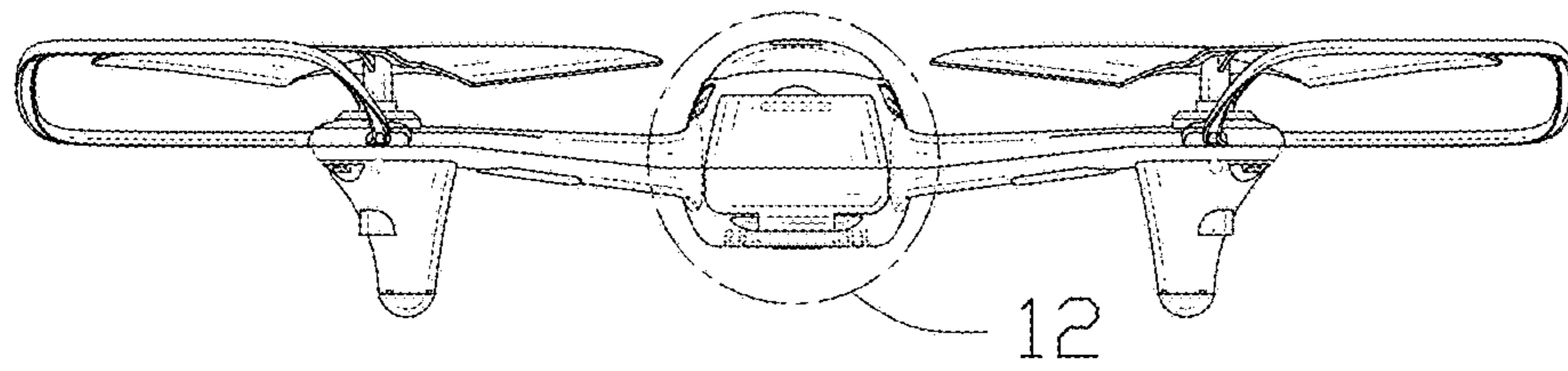


FIG. 4

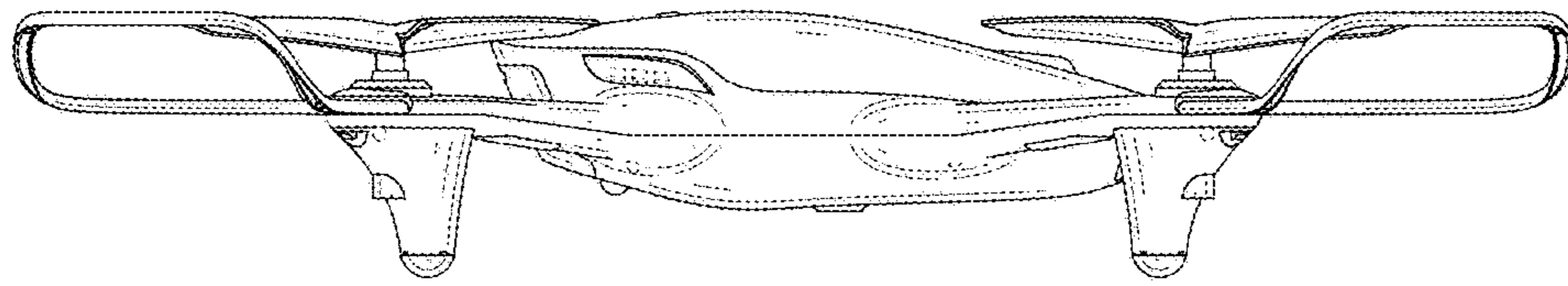


FIG. 5

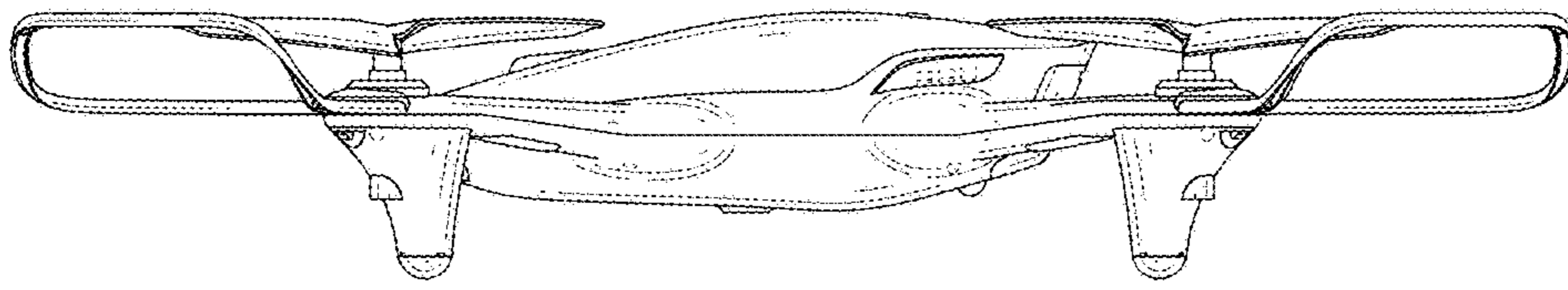


FIG. 6



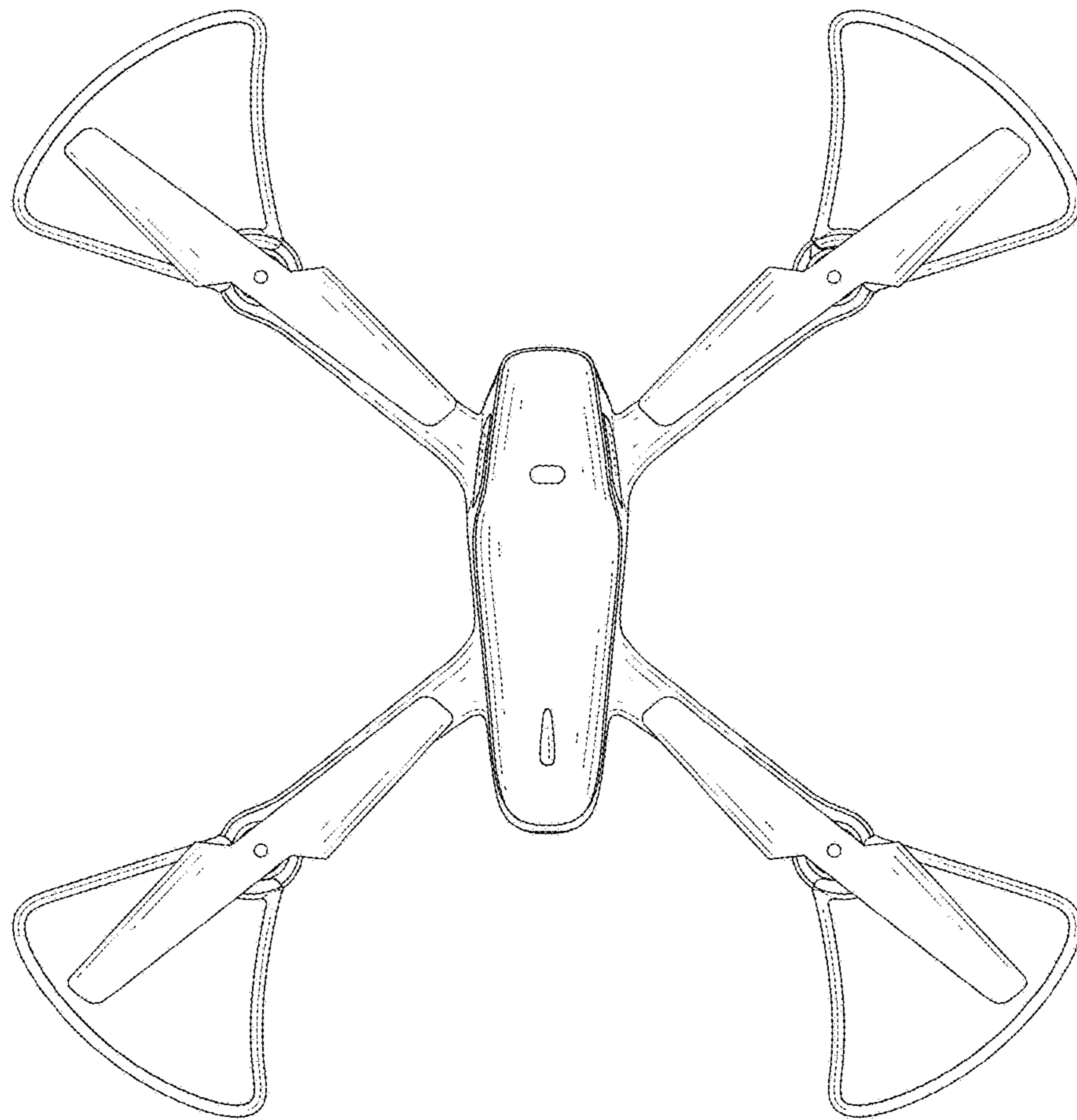


FIG. 7

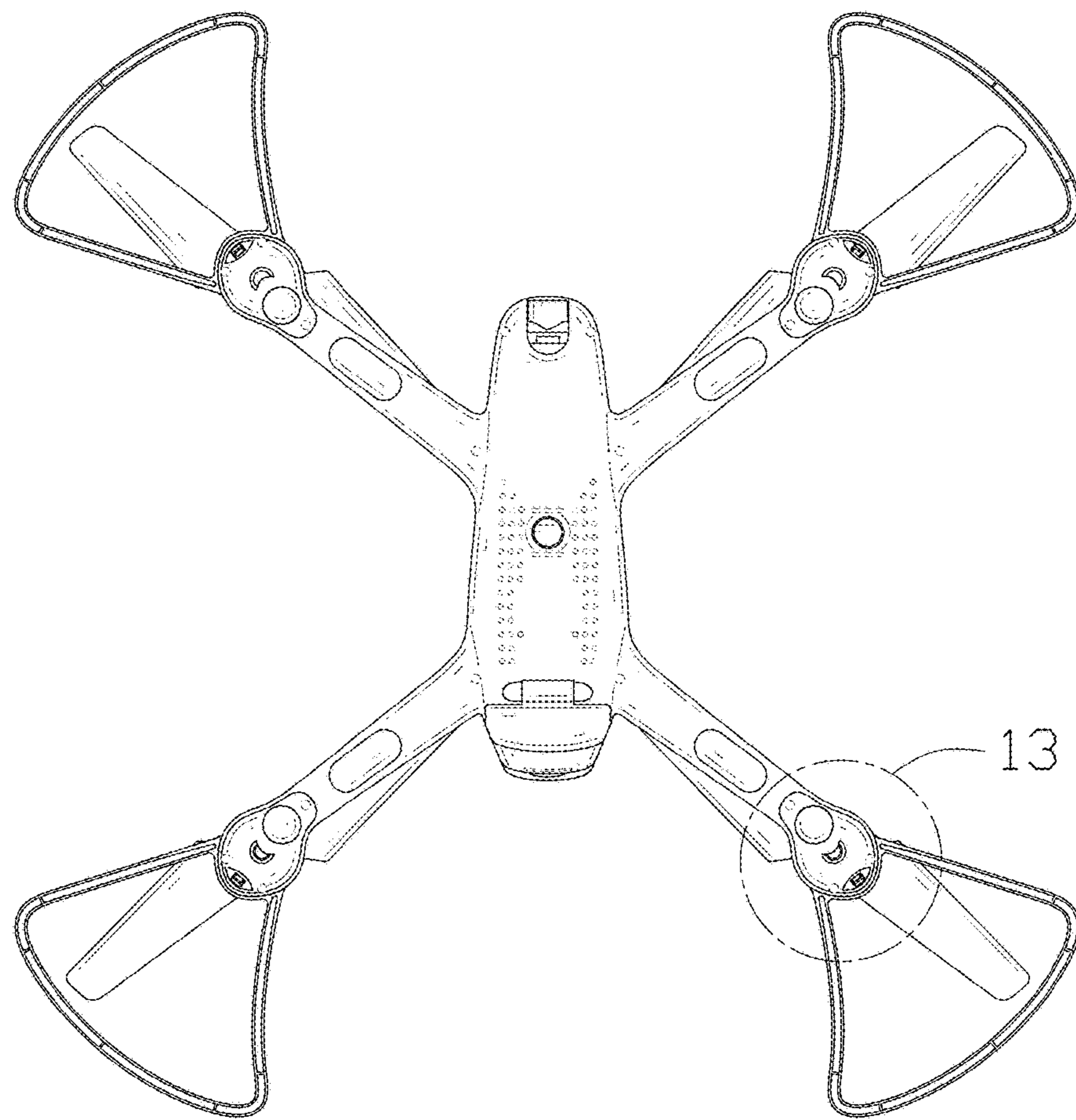


FIG. 8

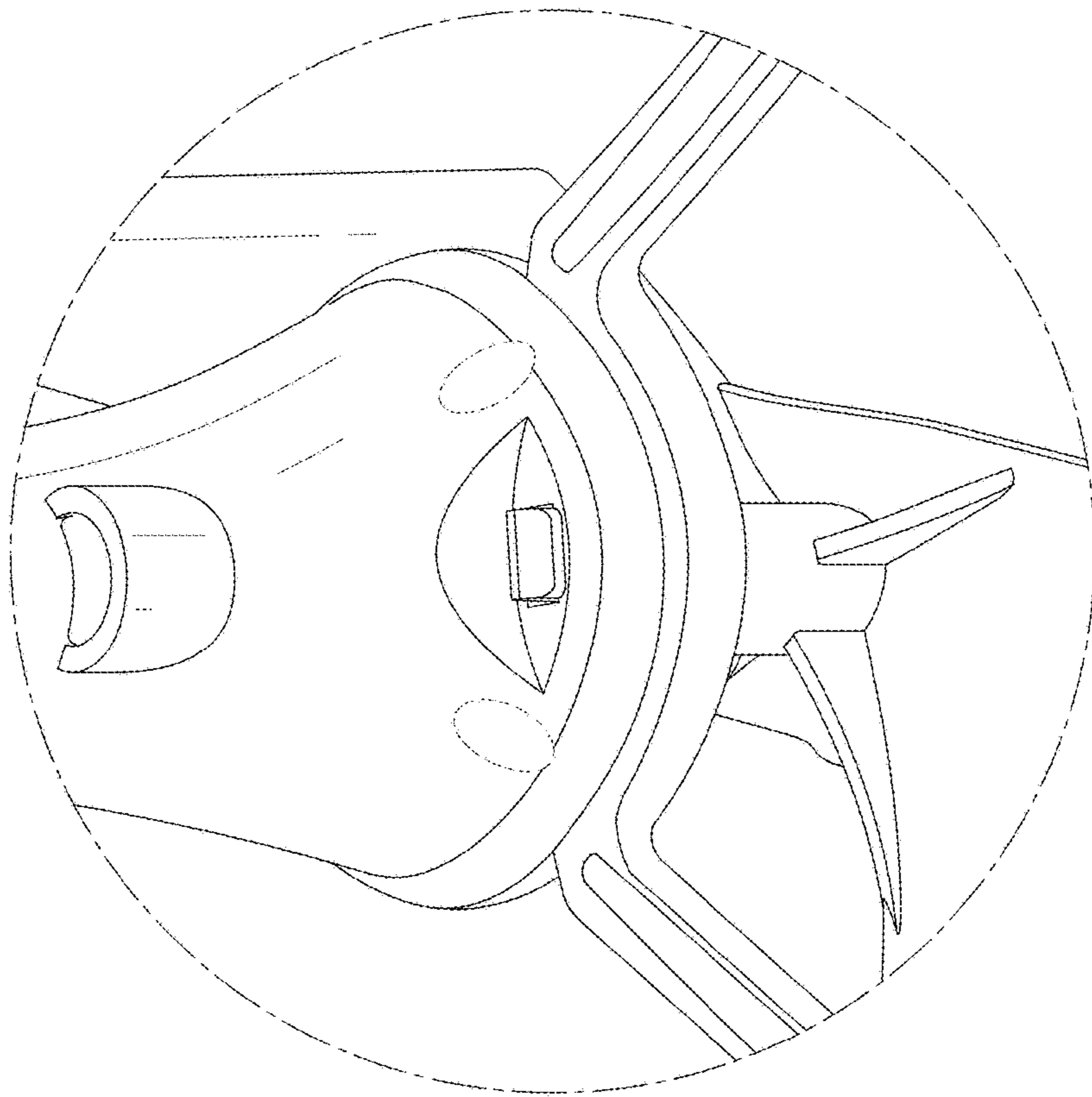


FIG. 9

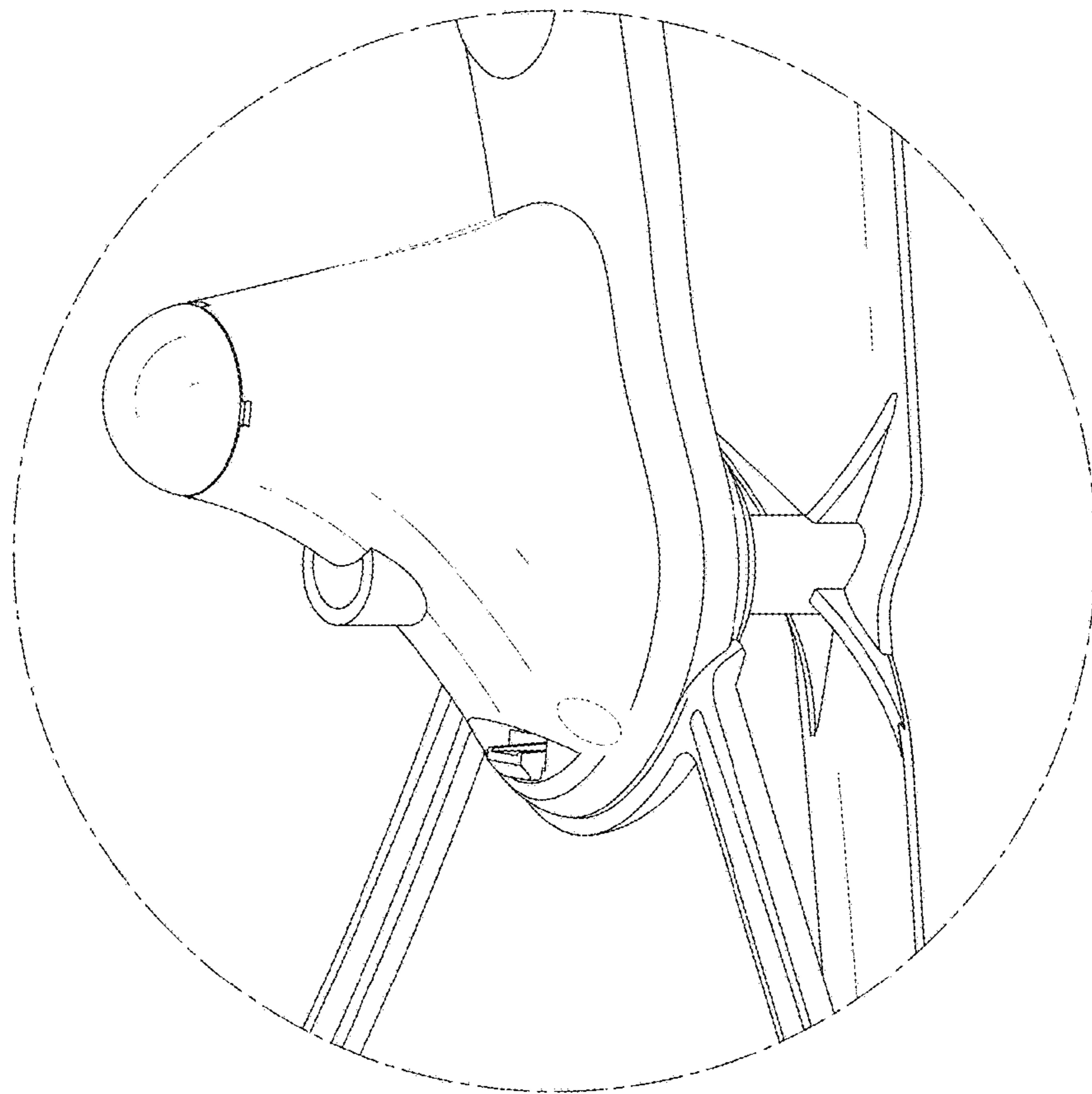


FIG. 10

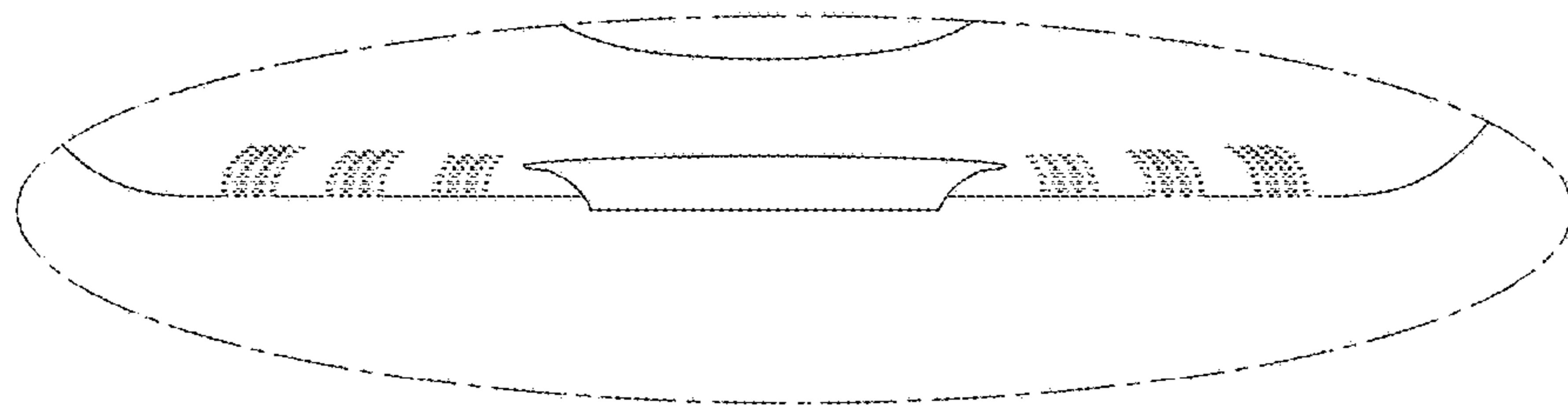


FIG. 11

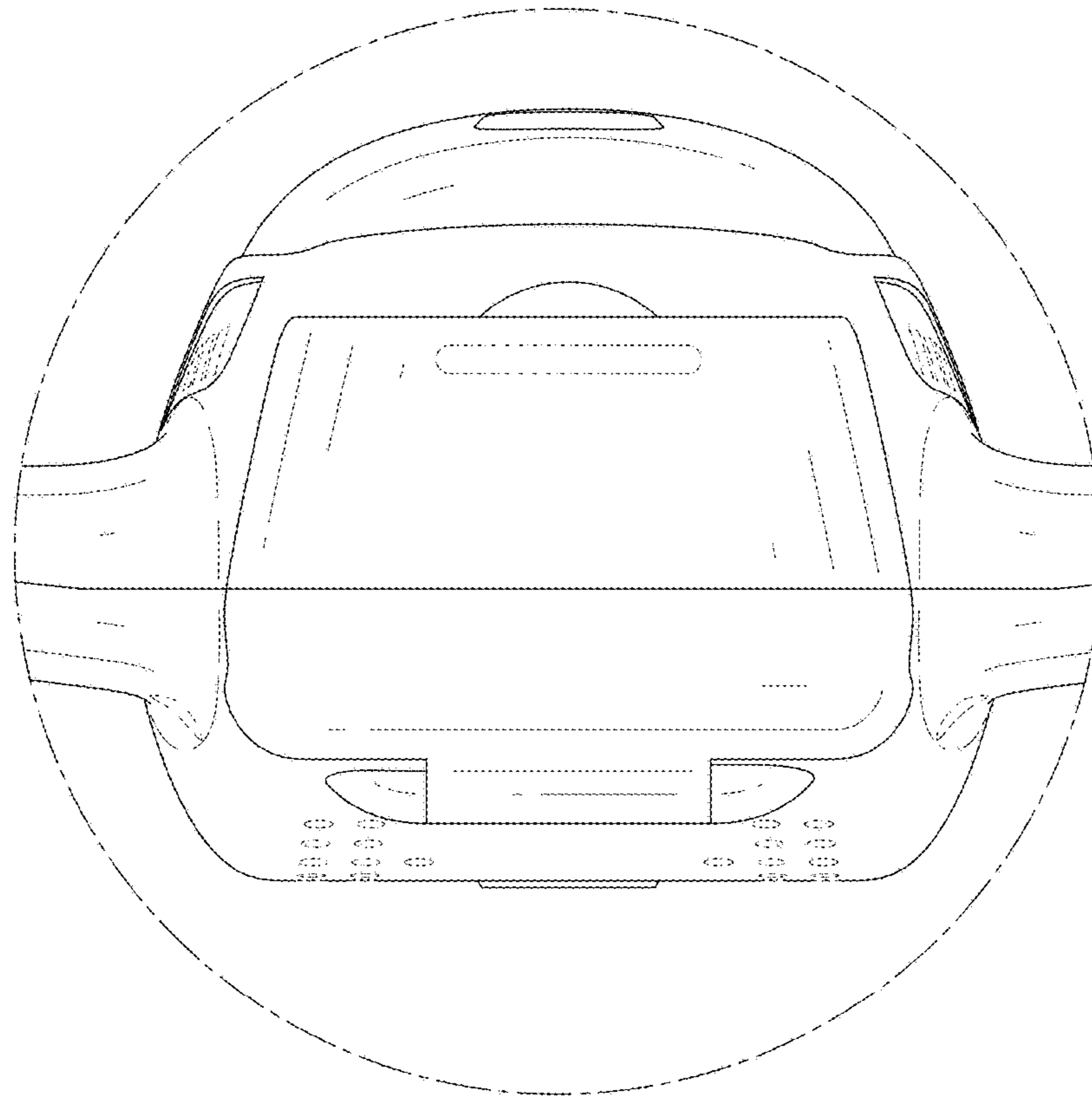


FIG. 12

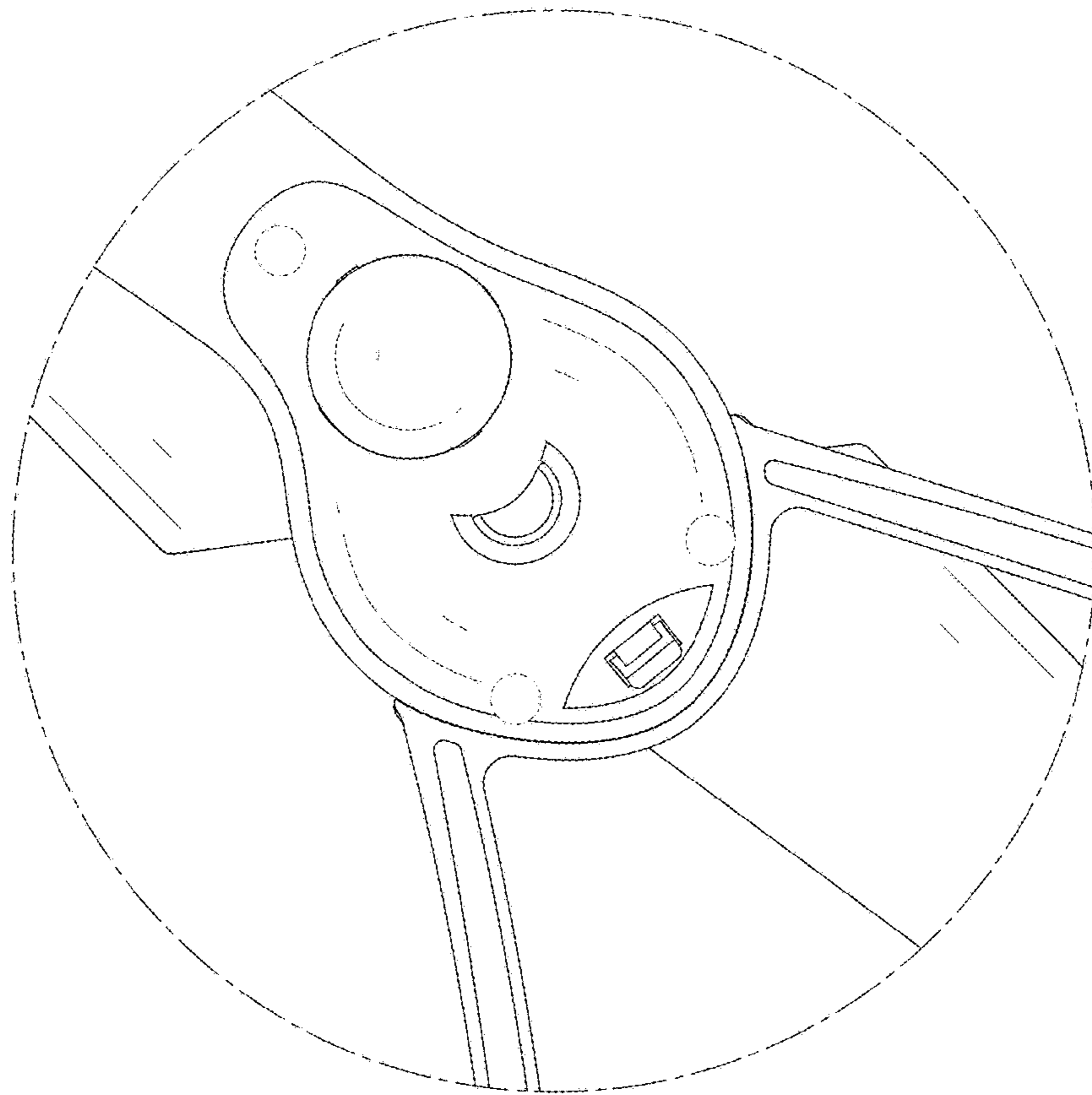


FIG. 13