

US00D860046S

(12) **United States Design Patent** (10) **Patent No.:** **US D860,046 S**  
**Kiel et al.** (45) **Date of Patent:** **\*\* Sep. 17, 2019**

(54) **GUNNER PROTECTION TURRET ENCLOSURE FOR MULTIPLE WEAPONS INTEGRATION**

*Primary Examiner* — Michelle E. Wilson  
*Assistant Examiner* — Ania Aman  
(74) *Attorney, Agent, or Firm* — John P. DiScala

(71) Applicant: **U.S. Government as Represented by the Secretary of the Army**, Picatinny Arsenal, Dover, NJ (US)

(57) **CLAIM**

The ornamental design for a gunner protection turret enclosure for multiple weapons integration, as shown and described.

(72) Inventors: **Thomas J. Kiel**, Bernardsville, NJ (US); **Kris J. Mayer**, Blairstown, NJ (US)

**DESCRIPTION**

(73) Assignee: **The United States of America as Represented by the Secretary of the Army**, Washington, DC (US)

The invention described herein may be manufactured, used, and licensed by or for the U.S. Government for U.S. Government purposes.

(\*\*) Term: **15 Years**

FIG. 1 is a front right perspective view of a gunner protection turret enclosure for multiple weapons integration.

(21) Appl. No.: **29/654,886**

FIG. 2 is a front left perspective view of a gunner protection turret enclosure for multiple weapons integration.

(22) Filed: **Jun. 28, 2018**

FIG. 3 is a front elevational view of a gunner protection turret enclosure for multiple weapons integration.

(51) **LOC (12) Cl.** ..... **12-13**

FIG. 4 is a right side elevational view of a gunner protection turret enclosure for multiple weapons integration.

(52) **U.S. Cl.**

USPC ..... **D12/12**

FIG. 5 is a left side elevational view of a gunner protection turret enclosure for multiple weapons integration.

(58) **Field of Classification Search**

USPC ..... D12/1, 12, 14, 15

CPC ..... F41H 5/20; F41H 7/04; F41H 5/26; F41H 5/013; F41H 7/02; F41H 5/18; F41H 5/14; F41H 7/00; F41H 7/03; F41H 7/048; F41H

FIG. 6 is a back elevational view of a gunner protection turret enclosure for multiple weapons integration.

FIG. 7 is a top plan view of a gunner protection turret enclosure for weapons integration.

FIG. 8 is a front right perspective view of a gunner protection turret enclosure for multiple weapons integration with open back door.

(Continued)

FIG. 9 is a front left perspective view of a gunner protection turret enclosure for multiple weapons integration with open back door; and,

(56) **References Cited**

**U.S. PATENT DOCUMENTS**

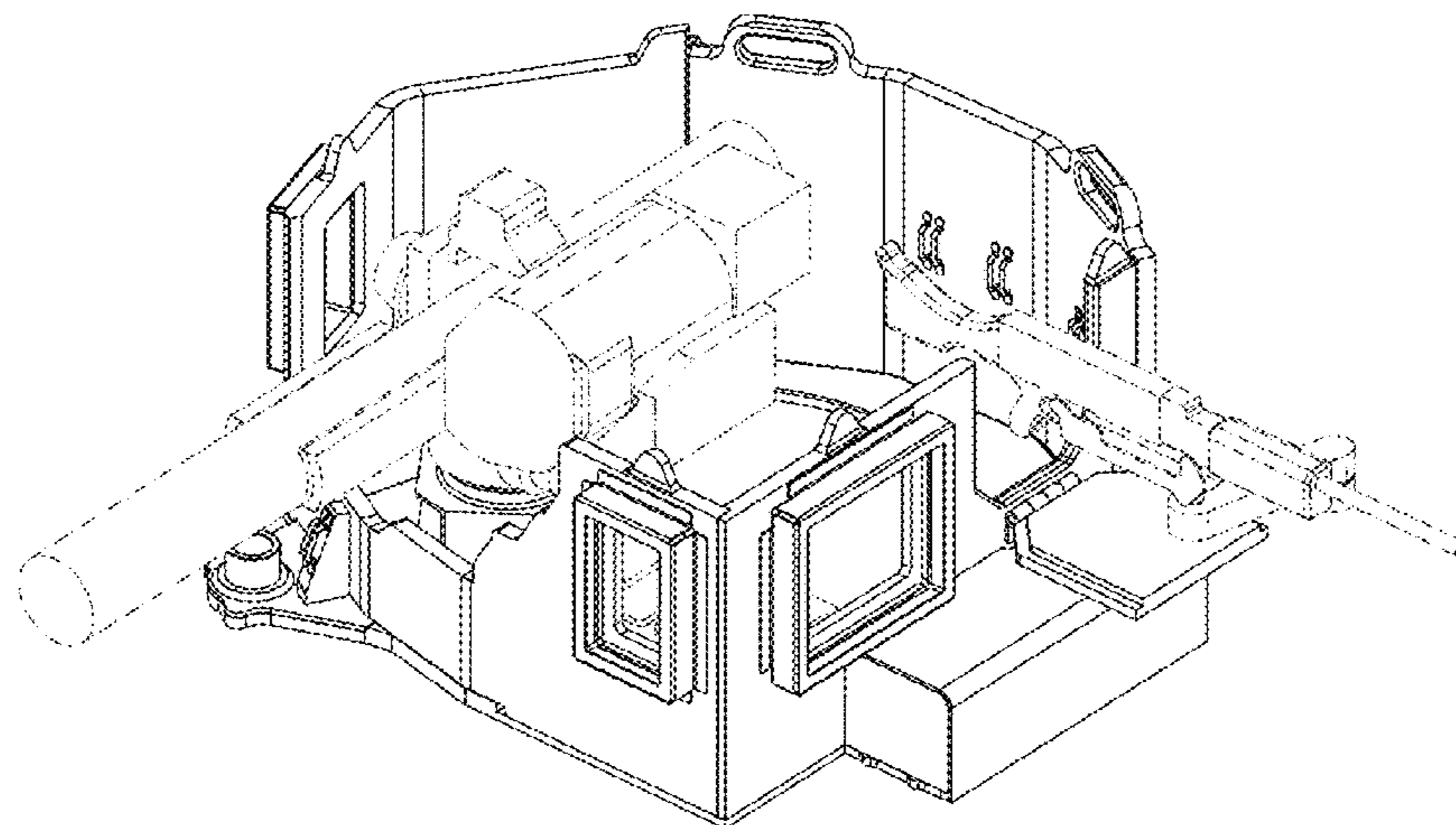
D610,038 S 2/2010 Kiel  
D619,044 S \* 7/2010 Kiel ..... F41H 5/20  
D12/12

FIG. 10 is a right rear perspective view of a gunner protection turret enclosure for multiple weapons integration with open back door.

The broken lines shown in the Figures depict unclaimed subject matter only and form no part of the claimed design.

D622,182 S 8/2010 Parimi  
(Continued)

**1 Claim, 10 Drawing Sheets**



(58) **Field of Classification Search**

CPC ..... 7/042; F41H 7/044; F41H 5/00; F41H  
5/023; F41H 5/06; F41H 5/16

See application file for complete search history.

(56) **References Cited**

U.S. PATENT DOCUMENTS

7,942,092	B1	5/2011	Kiel	
8,146,480	B2 *	4/2012	Schneider	..... F41H 5/20 89/36.08
8,402,877	B1 *	3/2013	Petrosillo	..... F41H 5/013 89/36.03
8,434,395	B1 *	5/2013	Petrosillo	..... F41H 5/06 89/36.01
8,910,559	B1	12/2014	Berman	
9,086,255	B1	7/2015	Berman	
9,146,081	B2 *	9/2015	Chu	..... F41H 5/013
D751,947	S	3/2016	Kiel	
9,546,847	B2 *	1/2017	Berman	..... F41H 5/263
D781,746	S *	3/2017	Kiel	..... D12/12
D786,131	S *	5/2017	Kiel	..... D12/12
2005/0188831	A1 *	9/2005	Squires	..... F41H 5/0435 89/36.02
2009/0120274	A1	5/2009	Schneider	
2011/0197747	A1	8/2011	Schneider	
2012/0188078	A1 *	7/2012	Soles	..... G08B 13/126 340/540
2014/0083284	A1	3/2014	Chu	

\* cited by examiner

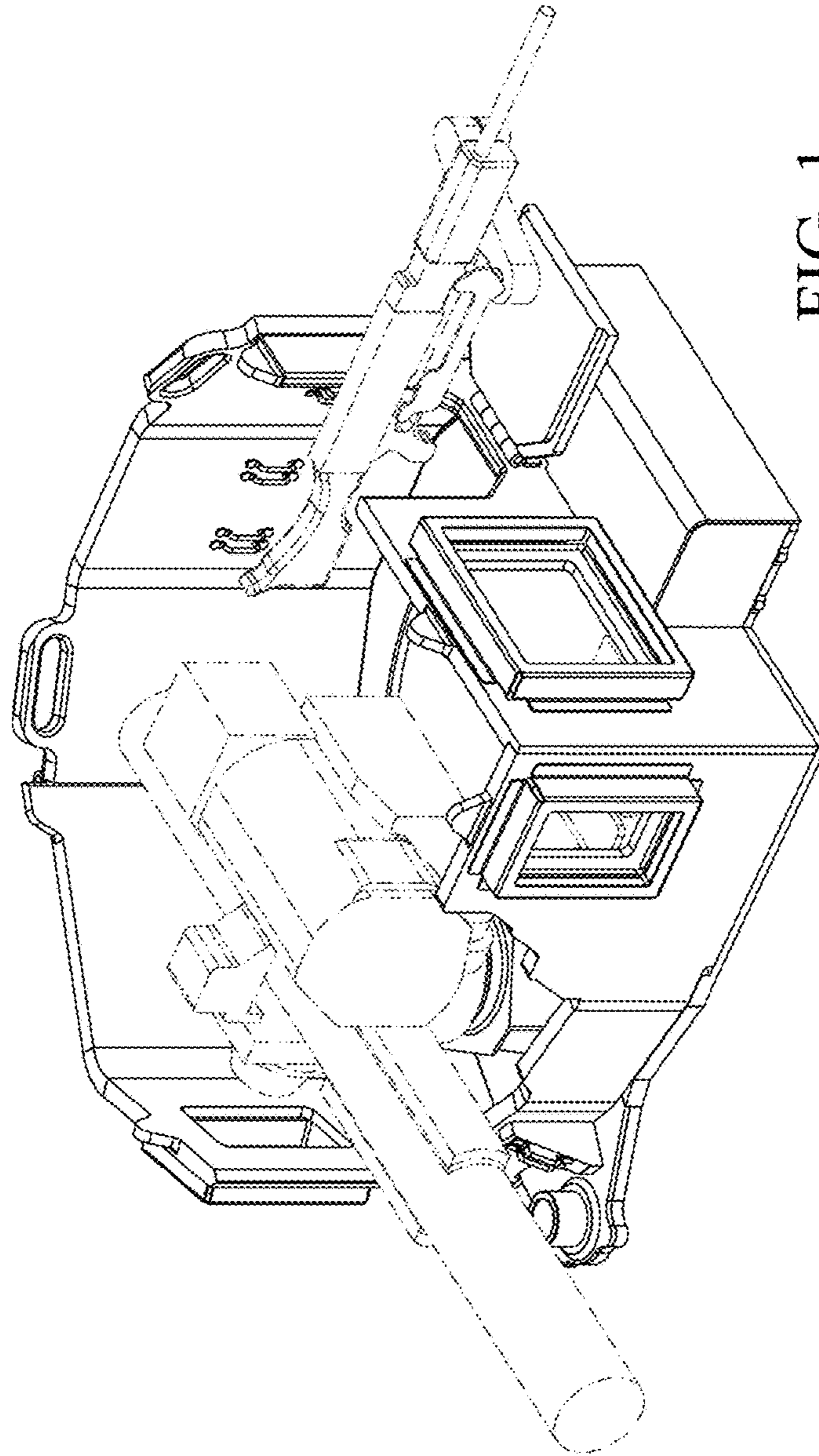


FIG. 1

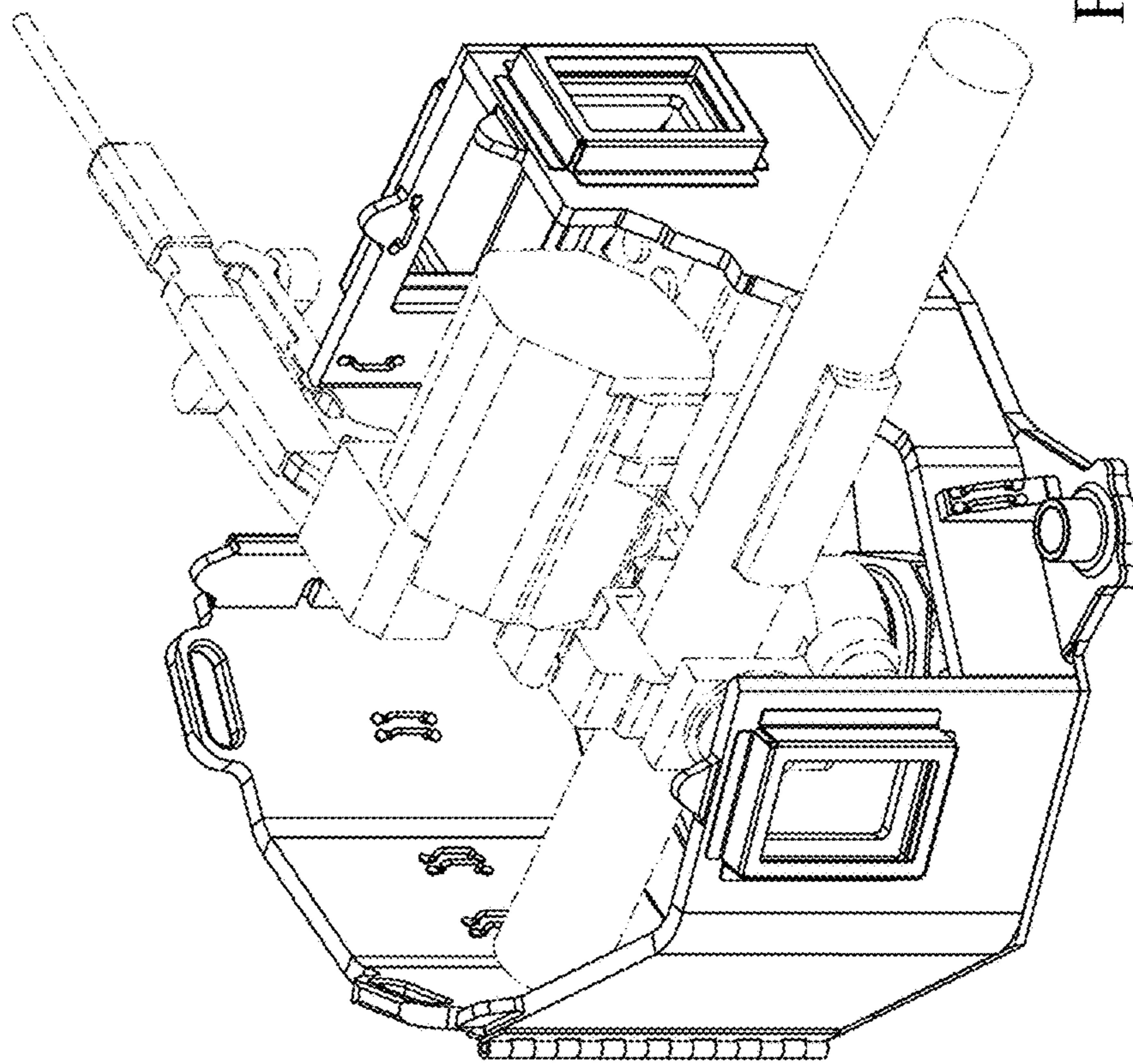


FIG. 2

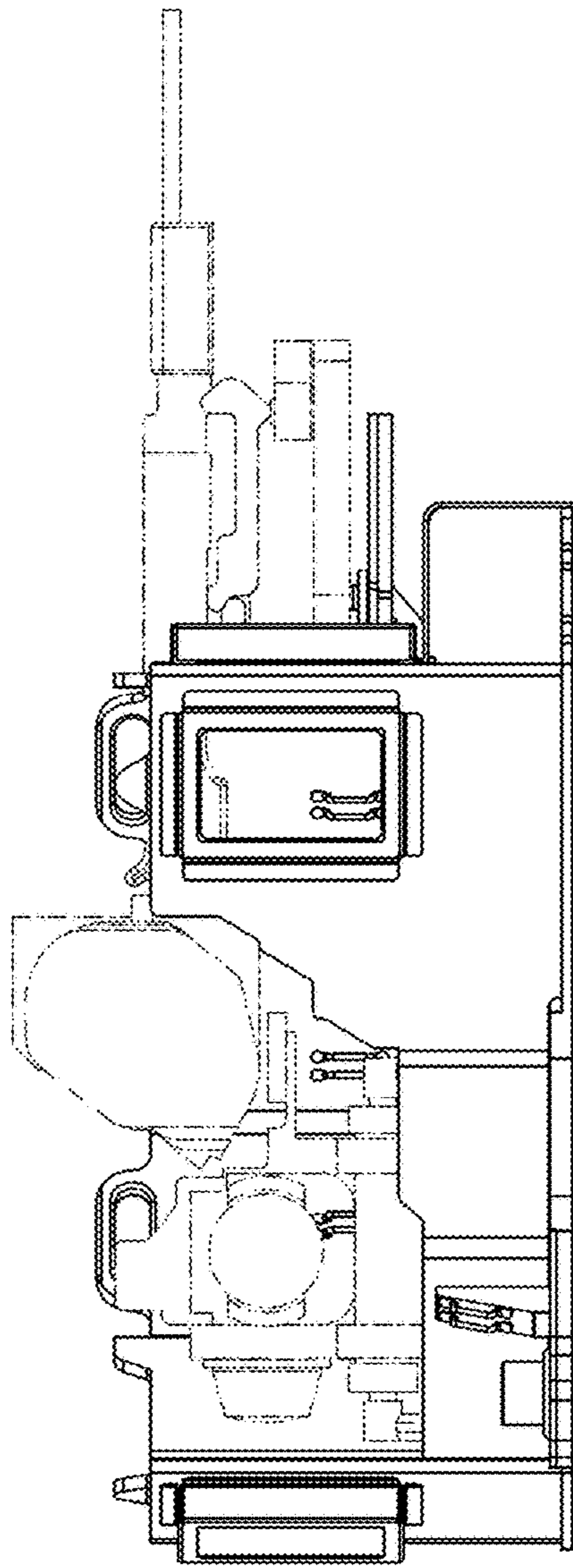


FIG. 3

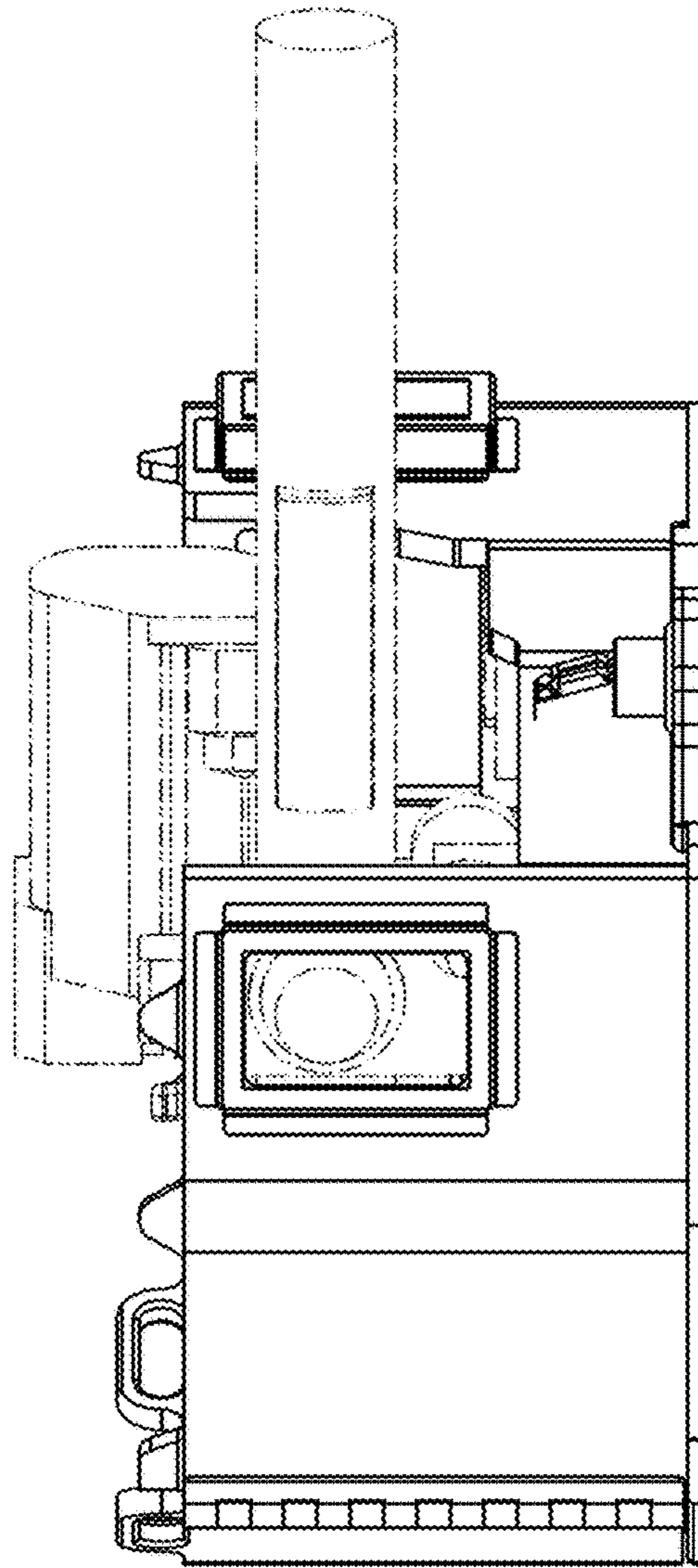


FIG. 4

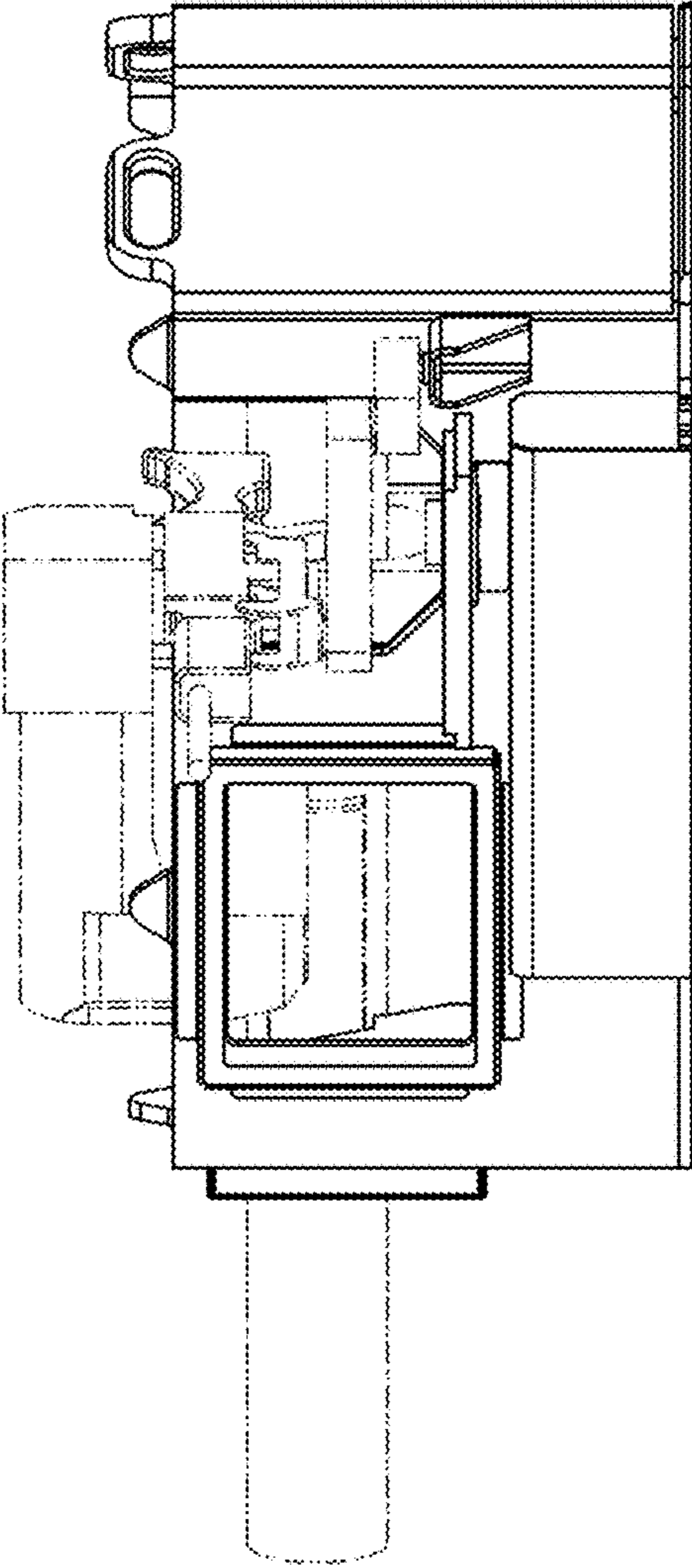


FIG. 5

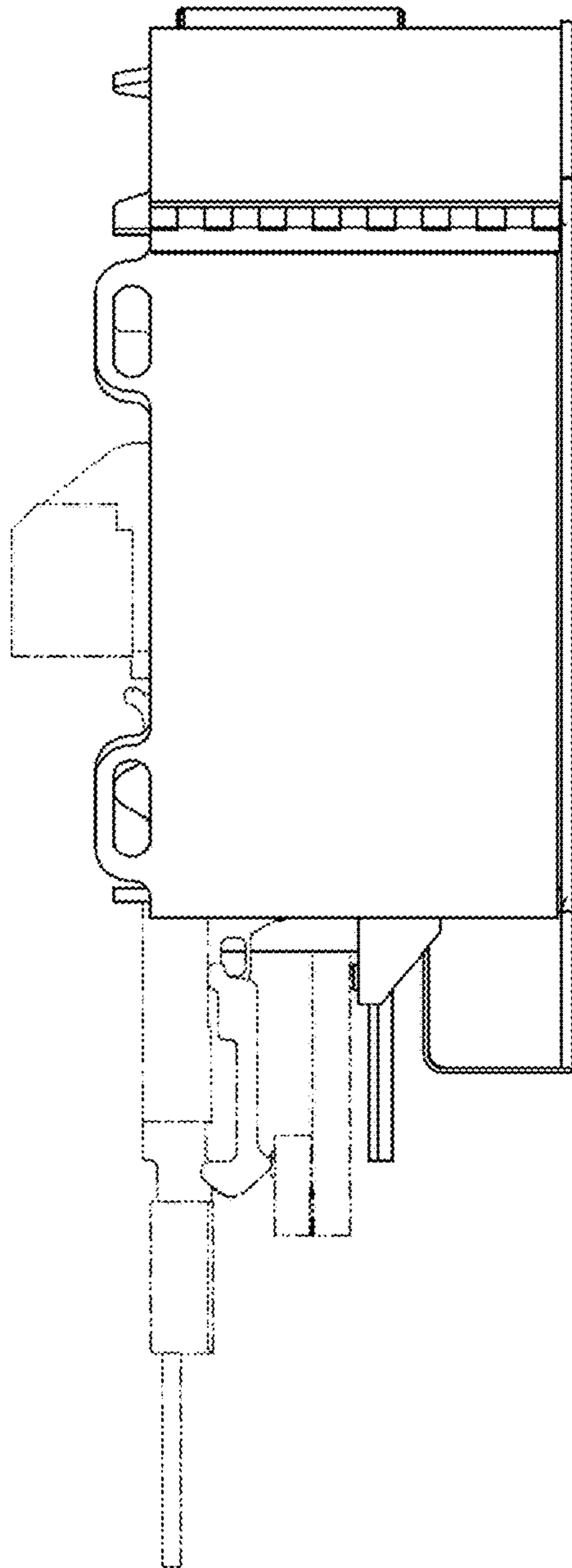
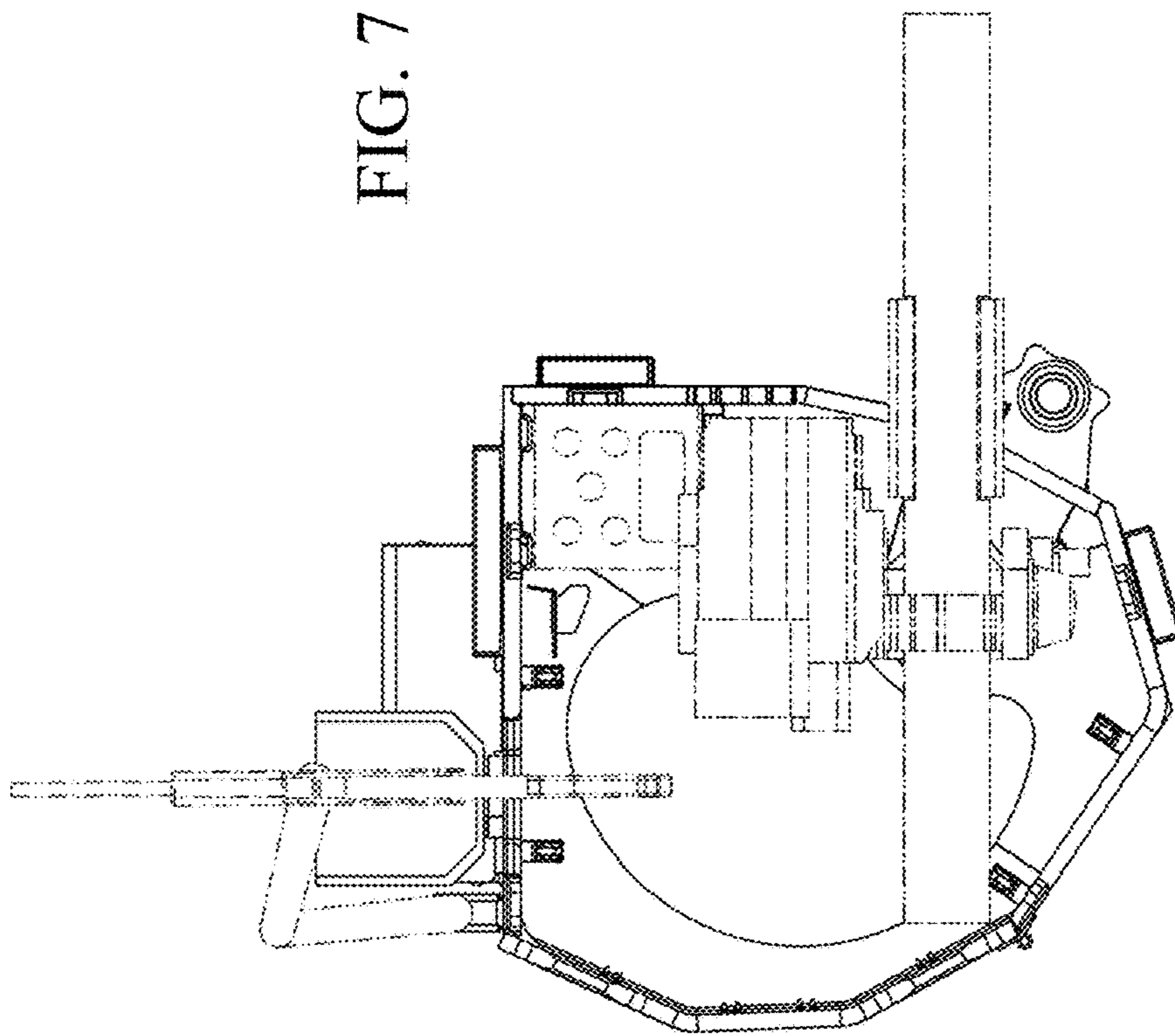


FIG. 6



FIG. 7



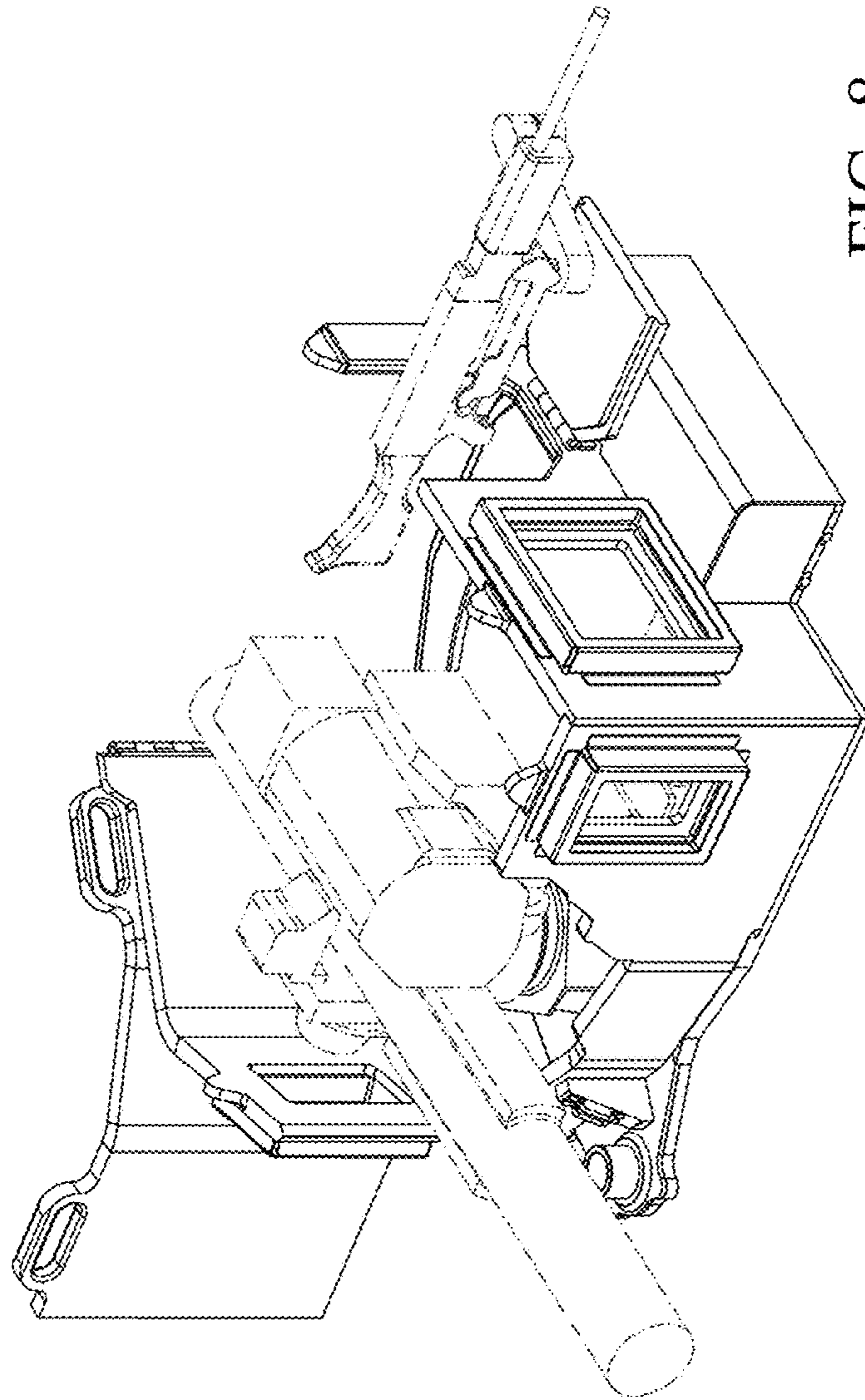


FIG. 8

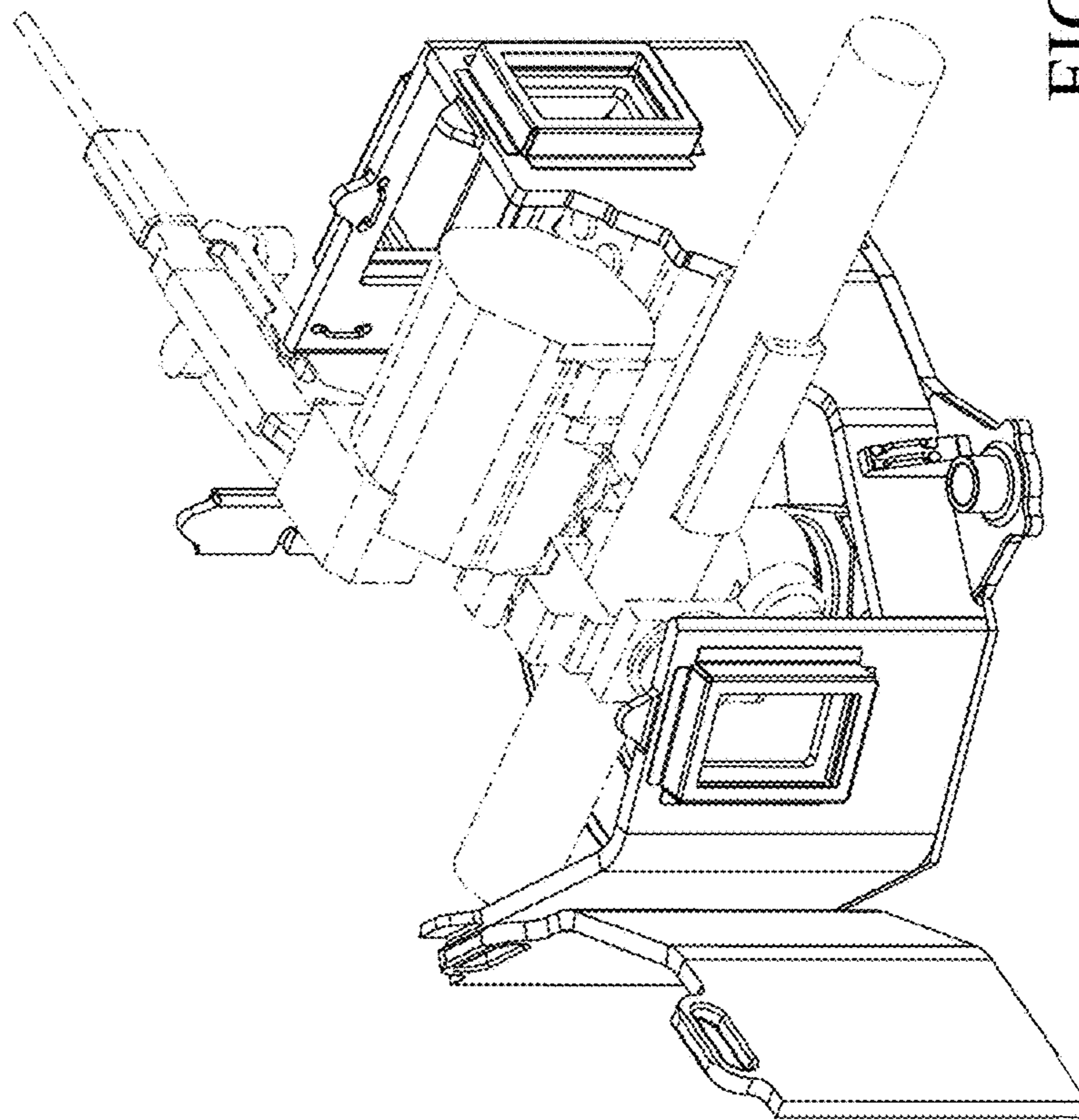


FIG. 9

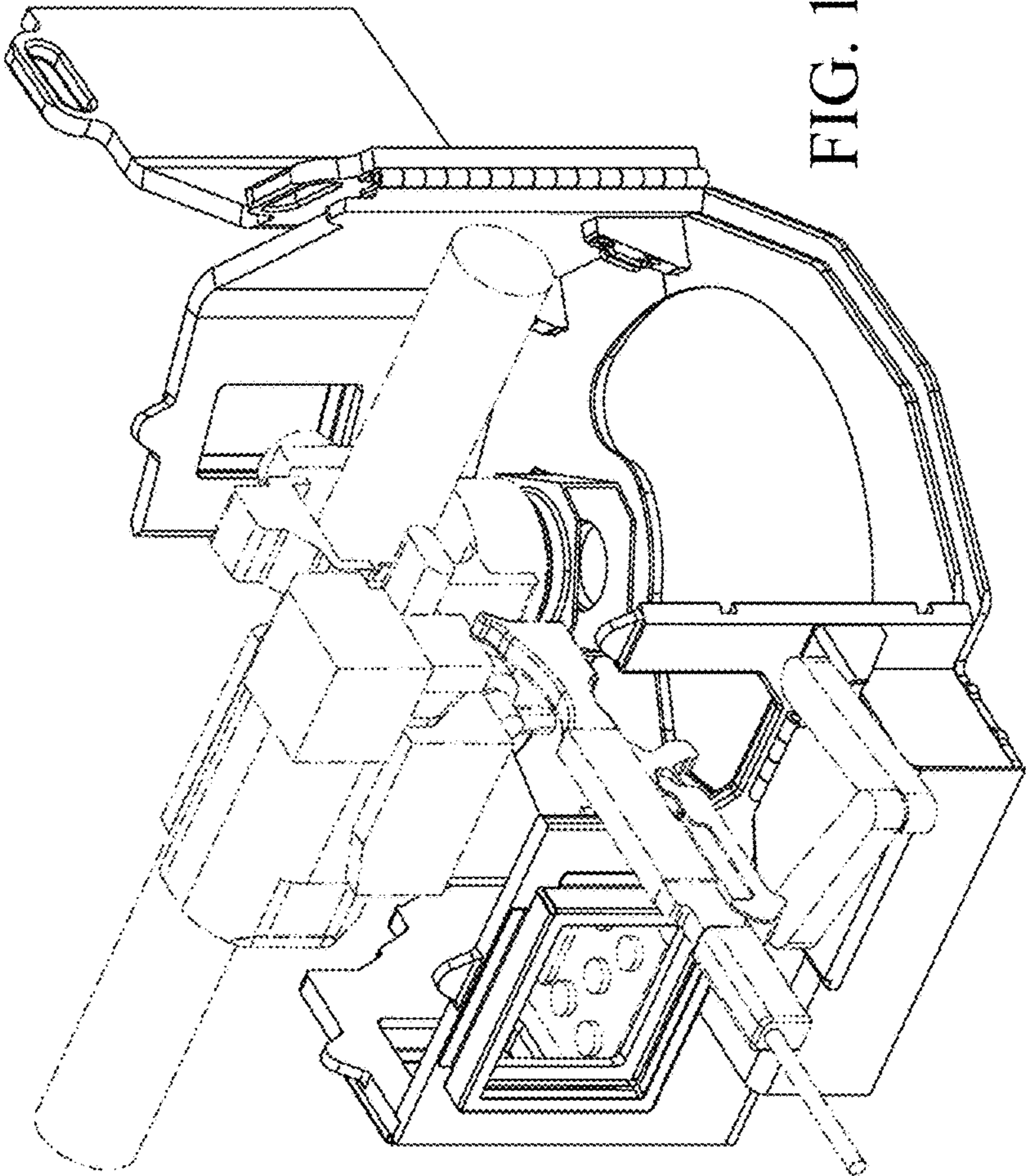


FIG. 10