



US00D860045S

(12) **United States Design Patent** (10) **Patent No.:** **US D860,045 S**  
**Oakley et al.** (45) **Date of Patent:** **\*\* Sep. 17, 2019**

(54) **SNAP BUTTON**  
(71) Applicant: **ZAMBRINI, LLC**, Chicago, IL (US)  
(72) Inventors: **Annalee Oakley**, Chicago, IL (US);  
**Gloria Alicia Schwartz**, Chicago, IL (US)  
(73) Assignee: **ZAMBRINI, LLC**, Chicago, IL (US)  
(\*\*) Term: **15 Years**

3,534,446 A 10/1970 Silver  
4,050,184 A 9/1977 Chiari  
4,344,240 A 8/1982 Schiller  
4,481,696 A 11/1984 Kanzaka  
4,607,415 A 8/1986 Fukuroi  
4,662,033 A 5/1987 Wieland, Jr. et al.  
4,686,749 A 8/1987 Fukuroi et al.  
4,698,881 A 8/1987 Watanabe  
4,875,257 A 10/1989 Anderson et al.  
(Continued)

(21) Appl. No.: **29/569,346**  
(22) Filed: **Jun. 27, 2016**

**Related U.S. Application Data**

(63) Continuation of application No. 14/120,435, filed on Mar. 14, 2014, now Pat. No. 9,375,057.  
(51) **LOC (12) Cl.** ..... **02-07**  
(52) **U.S. Cl.**  
USPC ..... **D11/220**  
(58) **Field of Classification Search**  
USPC ..... D11/220, 222, 226, 218; D8/382  
CPC ..... A44B 1/08; A44B 17/0088  
See application file for complete search history.

(56) **References Cited**

**U.S. PATENT DOCUMENTS**

477,857 A 6/1892 Goodwin  
488,219 A 12/1892 Platt  
494,104 A 3/1893 Kraetzer  
1,360,914 A 11/1920 Forslund  
1,410,916 A 3/1922 Hendrix  
1,729,778 A 10/1929 Hoag  
1,732,837 A 10/1929 Fenton  
1,769,685 A 7/1930 Goddu  
1,796,525 A 3/1931 Johson  
1,872,968 A 8/1932 Kimbell  
2,012,241 A 8/1935 Dill  
3,141,211 A 7/1964 Blake

**OTHER PUBLICATIONS**

<http://mockingbird.creighton.edu/english/fajardo/teachingmiscellan/understand.htm>; Understanding Literature.  
(Continued)

*Primary Examiner* — Zenia I Bennett  
(74) *Attorney, Agent, or Firm* — AP Patents

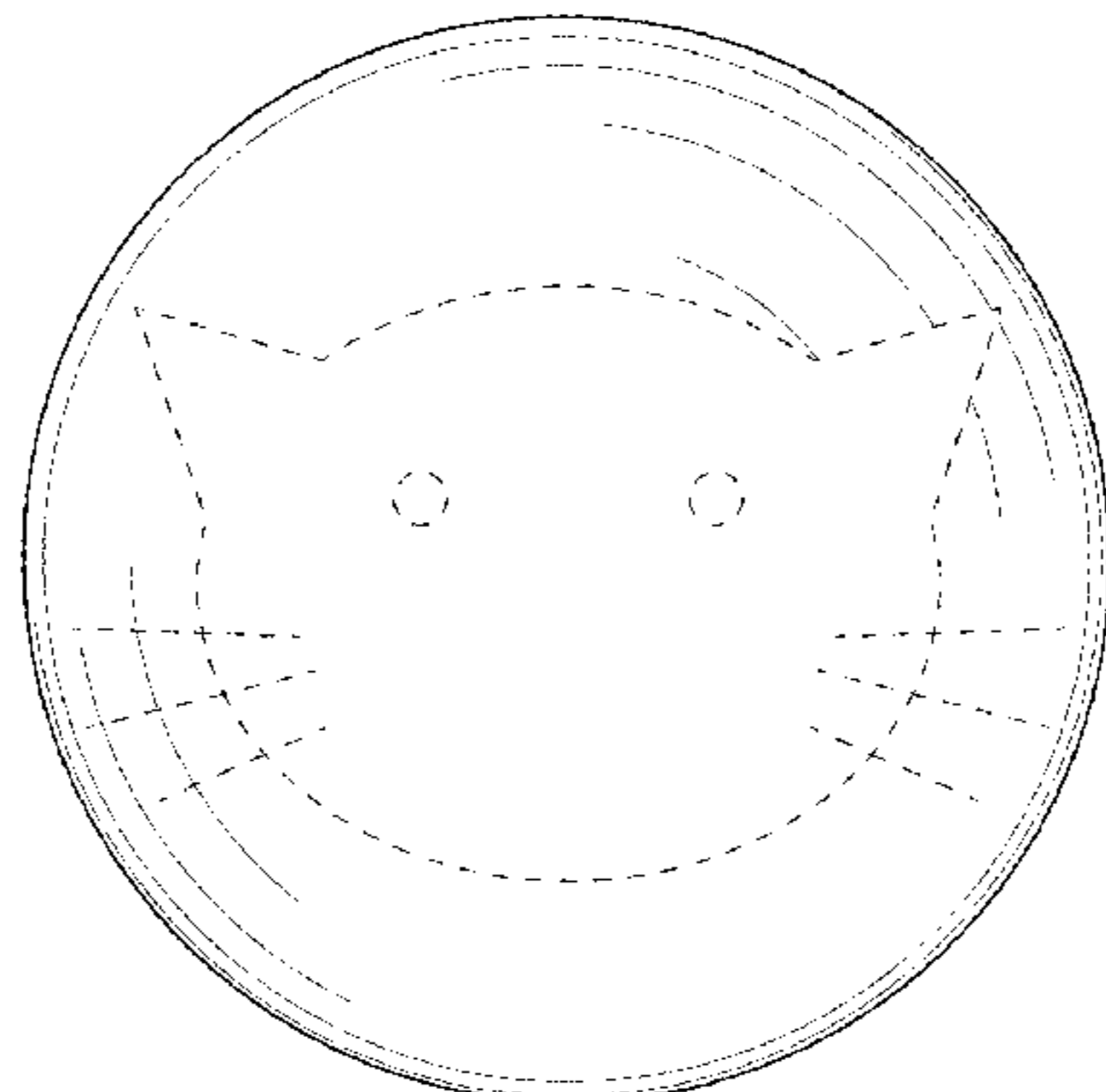
(57) **CLAIM**

The ornamental design for a snap button, as shown and described.

**DESCRIPTION**

FIG. 1 illustrates a top view of a snap button constructed in accordance with one embodiment;  
FIG. 2 illustrates a bottom view of the snap button of FIG. 1;  
FIG. 3 illustrates a right side elevation view of the snap button of FIG. 1; Left side, front and rear views are identical;  
FIG. 4 illustrates a cross-sectional view of the snap button of FIG. 1 along lines 4-4 of FIG. 3; and,  
FIG. 5 illustrates a rear 3-dimensional view of the snap button of FIG. 1;  
The broken lines showing indicia and substrate and/or the mating portion that the button is attached to are for environmental purposes only and form no part of the claimed design.

**1 Claim, 2 Drawing Sheets**



(56)

References Cited

U.S. PATENT DOCUMENTS

4,969,241 A 11/1990 Griffin  
 5,014,400 A 5/1991 Ban  
 D319,201 S \* 8/1991 Aoki ..... D11/220  
 5,093,965 A 3/1992 Mauras et al.  
 5,212,851 A 5/1993 Wantanabe  
 5,745,964 A 5/1998 Luer et al.  
 5,926,920 A 7/1999 Denison  
 6,012,203 A 1/2000 Baron Pearson  
 7,157,152 B2 \* 1/2007 Urata ..... A44B 17/00  
 24/1  
 7,490,386 B2 \* 2/2009 Raccosta ..... A44B 17/0082  
 24/108  
 7,698,836 B2 4/2010 Schmelzer et al.  
 7,867,625 B2 \* 1/2011 Urata ..... A44B 17/00  
 24/1  
 8,069,538 B2 12/2011 Wilcox  
 8,122,519 B2 2/2012 Schmelzer et al.  
 8,122,574 B2 \* 2/2012 Dammermann ... A45C 13/1084  
 24/594.11

D665,304 S \* 8/2012 Takeda ..... D11/220  
 D678,816 S \* 3/2013 Chan ..... D11/220  
 8,561,264 B2 10/2013 Hasegawa et al.  
 9,375,057 B2 6/2016 Oakley  
 D806,393 S \* 1/2018 Morris ..... D3/318  
 2006/0021198 A1 2/2006 Raccosta  
 2008/0203659 A1 8/2008 Cabrera  
 2009/0113678 A1 5/2009 Shimizu  
 2009/0229030 A1 9/2009 Devisch et al.  
 2011/0016679 A1 1/2011 Candotti  
 2012/0137409 A1 6/2012 Chrysostom  
 2012/0199505 A1 8/2012 Black et al.  
 2012/0317760 A1 12/2012 Kamiya et al.

OTHER PUBLICATIONS

<http://web.mst.edu/~gdoty/classees/concepts-practices/symbolism.html>; Signs, Symbols, Meaning, & Interpretation.  
<http://sell.bizrice.com/selling-leads/1305673/painted-metal-snap-button-oeko-tex-html>; Painted Metal Snap Button (OEKO-TEX)/China Buttons for Sale.

\* cited by examiner

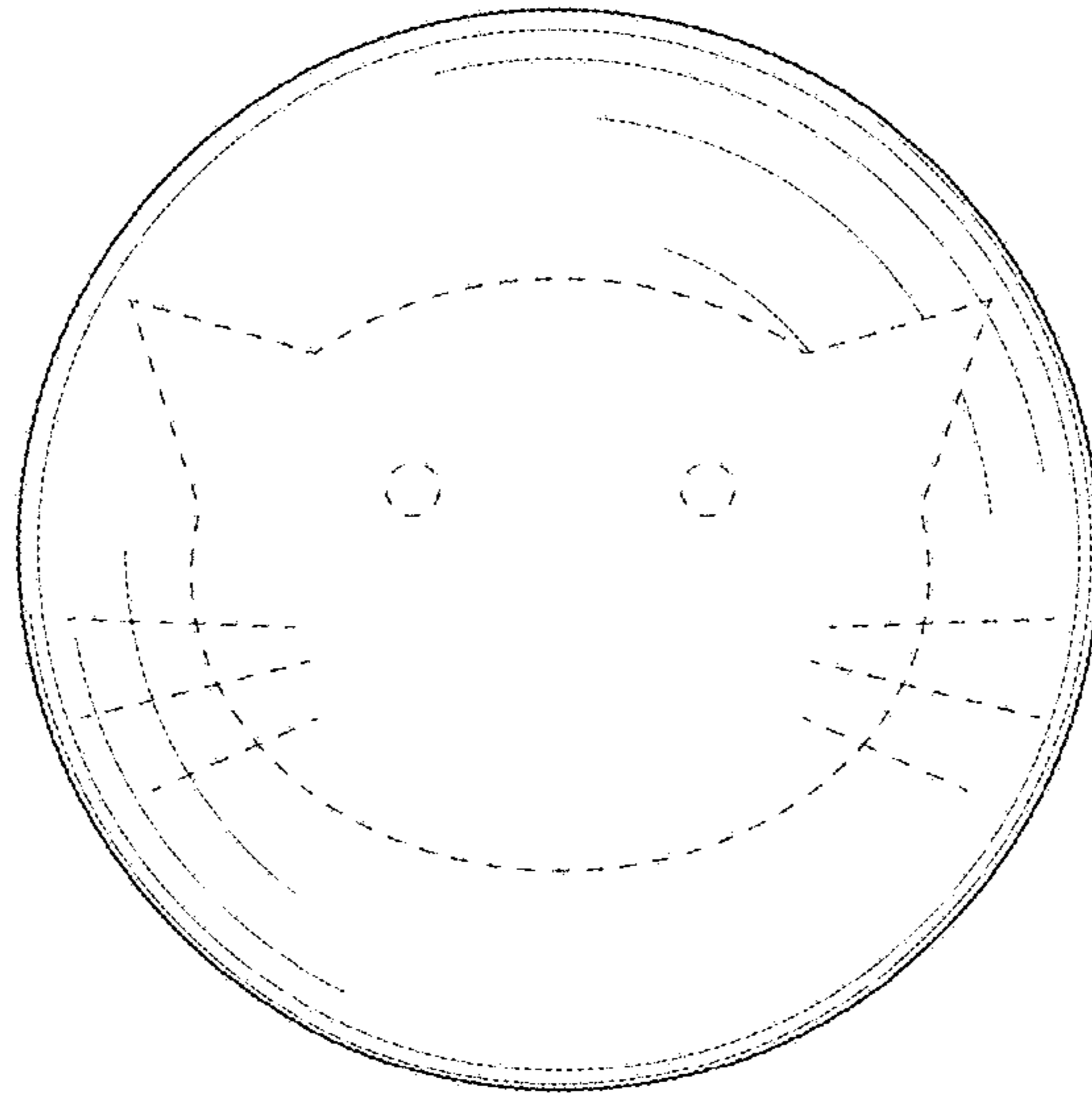


FIG. 1

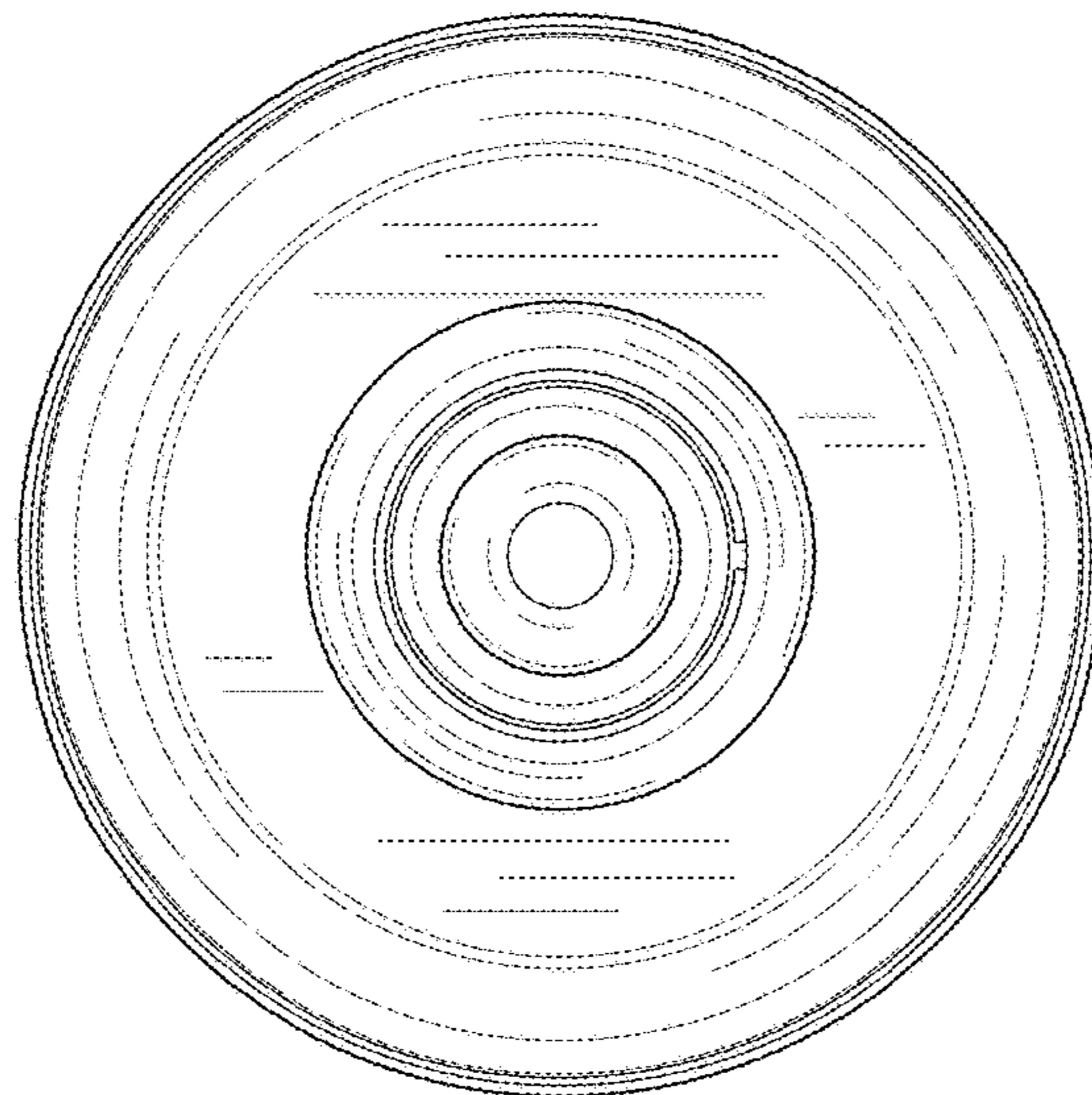


FIG. 2

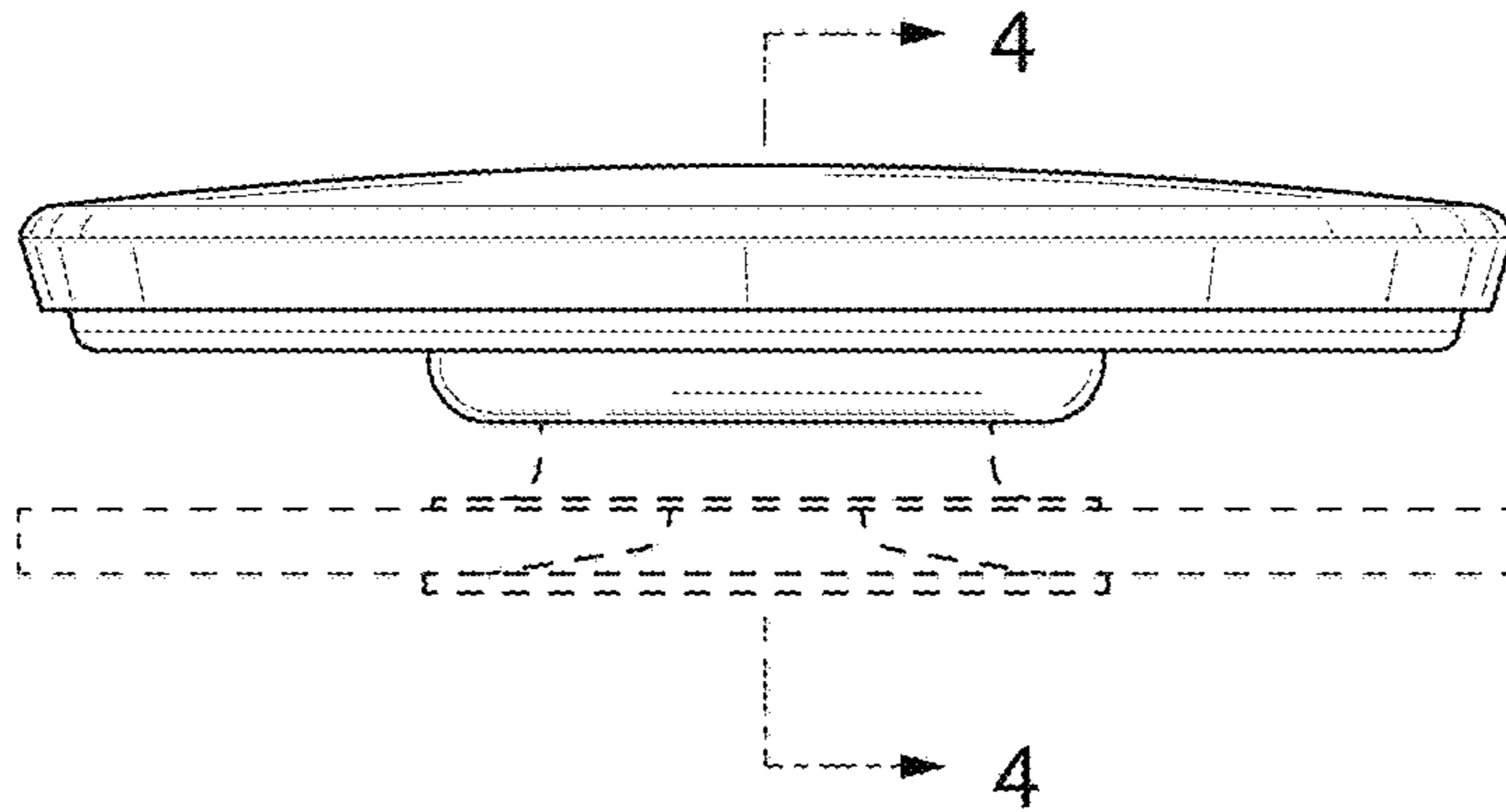


FIG. 3

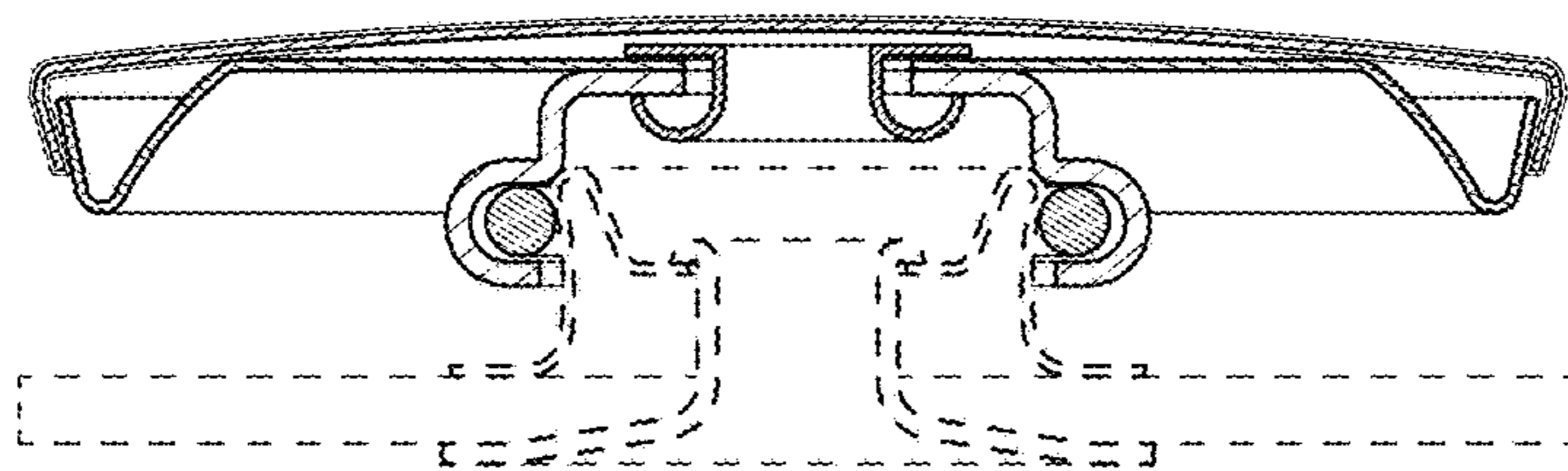


FIG. 4

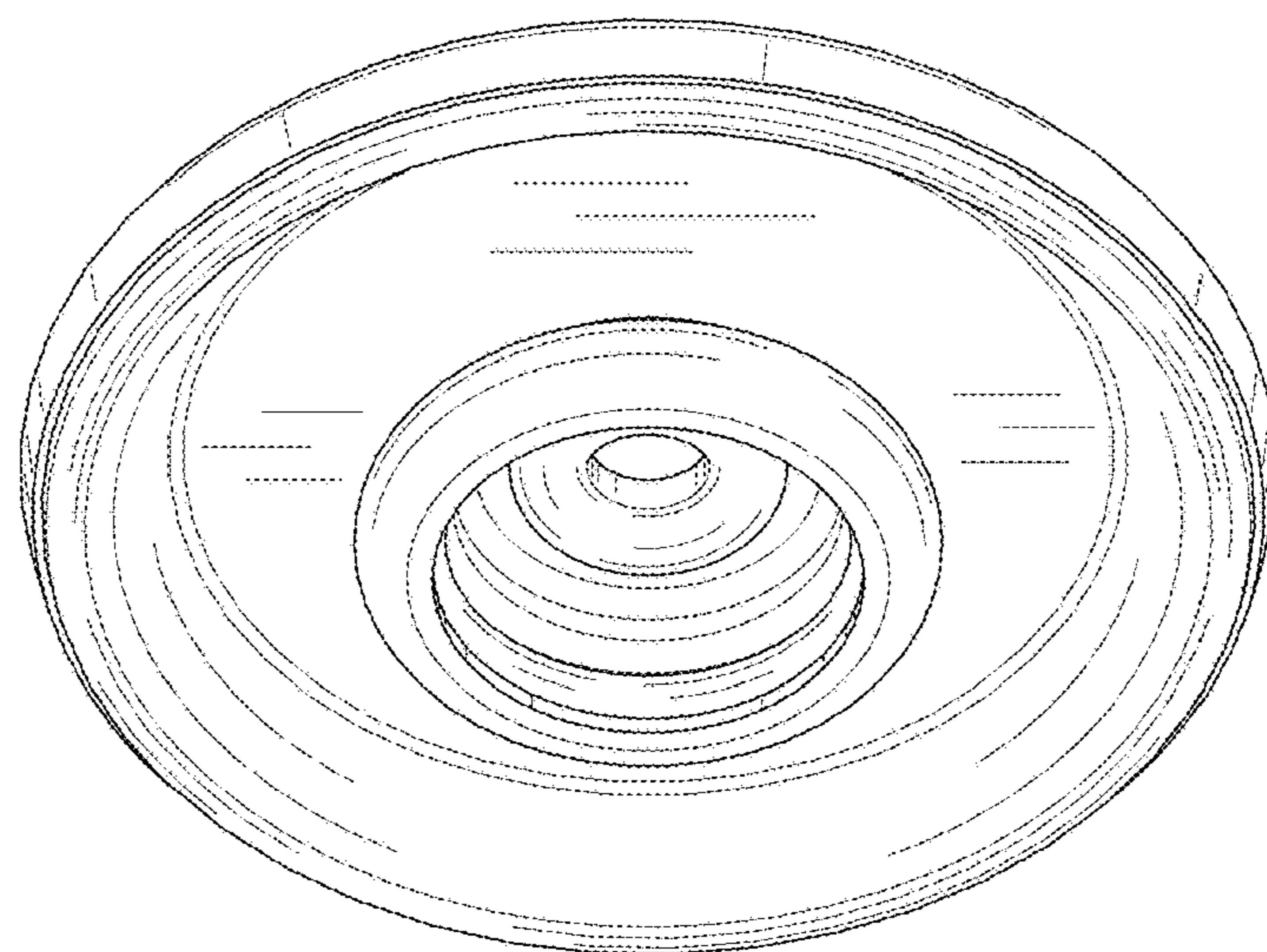


FIG. 5