

US00D860044S

(12) **United States Design Patent** (10) **Patent No.:** **US D860,044 S**
Negaty et al. (45) **Date of Patent:** **** Sep. 17, 2019**

(54) **CLASP FOR WATCH BRACELETS**

(71) Applicant: **PATEK PHILIPPE SA GENEVE**,
Geneva (CH)

(72) Inventors: **Alexandre Negaty**, Bernex (CH);
Xavier Magaldi, Satigny (CH)

(73) Assignee: **PATEK PHILIPPE SA GENEVE**,
Genève (CH)

(**) Term: **15 Years**

(21) Appl. No.: **35/504,707**

(22) Filed: **Oct. 3, 2017**

(80) **Hague Agreement Data**

Int. Filing Date: **Oct. 3, 2017**

Int. Reg. No.: **DM/097937**

Int. Reg. Date: **Oct. 3, 2017**

Int. Reg. Pub. Date: **Apr. 6, 2018**

(30) **Foreign Application Priority Data**

May 2, 2017 (CH) 143214

(51) **LOC (12) Cl.** **02-07**

(52) **U.S. Cl.**
USPC **D11/217**

(58) **Field of Classification Search**

USPC D10/32; D11/3, 187, 212–217

CPC A41D 25/005; A44C 5/24

See application file for complete search history.

(56) **References Cited**

U.S. PATENT DOCUMENTS

D557,631	S	*	12/2007	Alfone	D11/212
D568,177	S	*	5/2008	Lassigne	D10/32
D628,111	S	*	11/2010	Cerrato	D11/3
9,173,460	B2	*	11/2015	Kaltenrieder	A44C 5/24
D793,277	S	*	8/2017	Dennis	D11/87
9,993,051	B2	*	6/2018	Kaltenrieder	A44C 5/24
10,149,505	B2	*	12/2018	Pandolfino	A41D 25/005

* cited by examiner

Primary Examiner — George D. Kirschbaum

(74) *Attorney, Agent, or Firm* — Young & Thompson

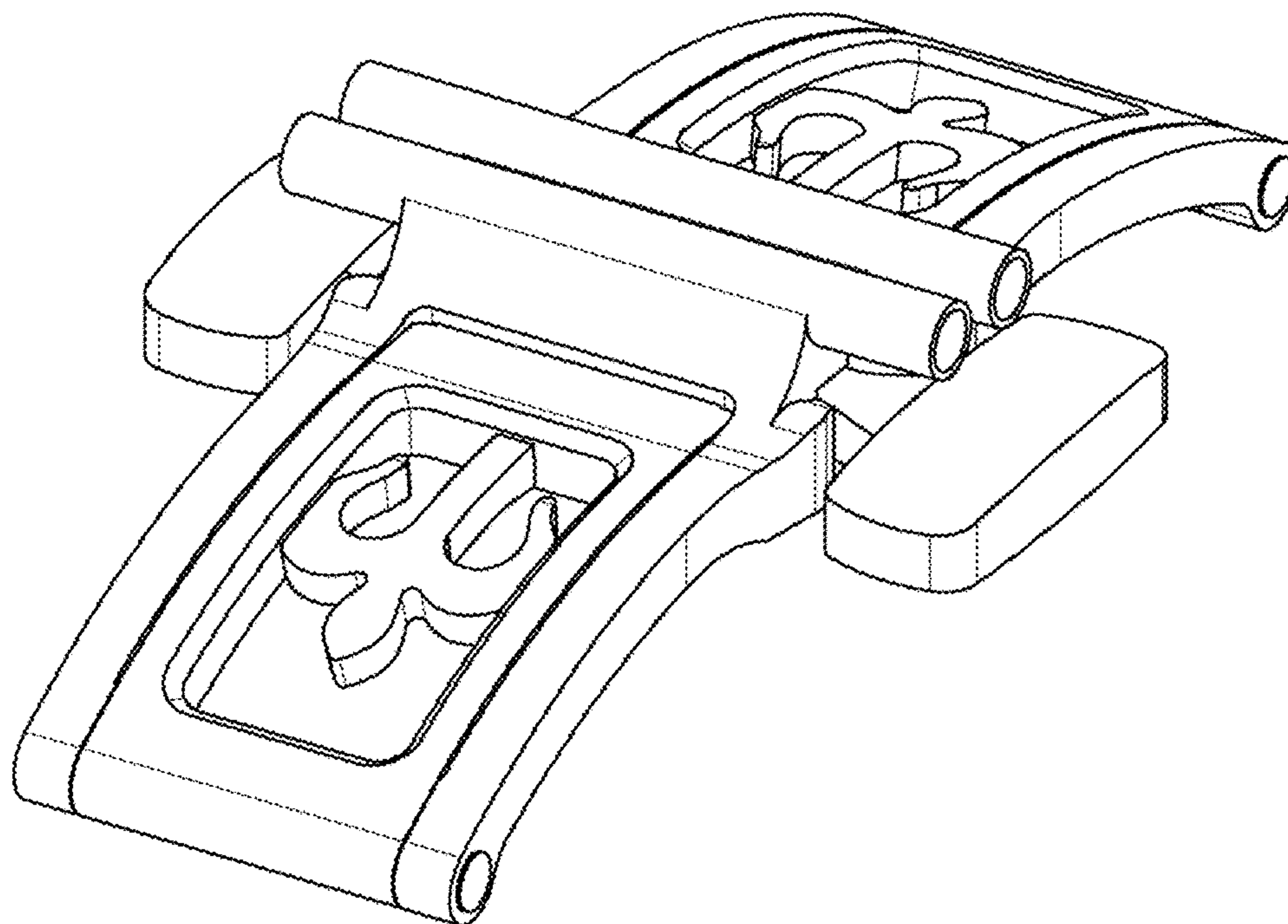
(57) **CLAIM**

The ornamental design for a clasp for watch bracelets, as shown and described.

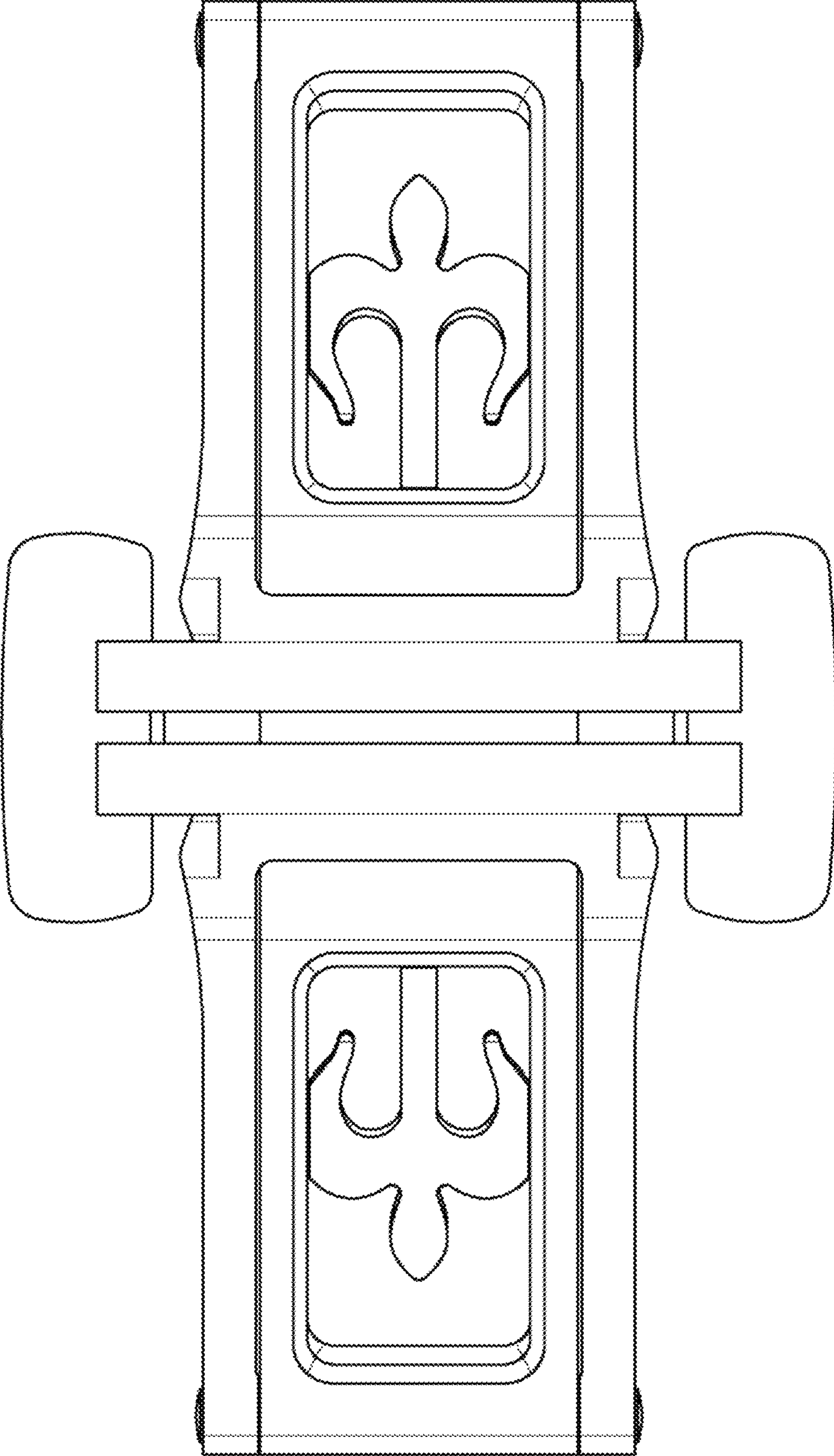
DESCRIPTION

Figure 1.1 is a front elevation view of a clasp for watch bracelets showing the new design;
 Figure 1.2 is a rear elevation view thereof;
 Figure 1.3 is a left side elevation view thereof;
 Figure 1.4 is a right side elevation view thereof;
 Figure 1.5 is a top plan view thereof;
 Figure 1.6 is a bottom plan view thereof;
 Figure 1.7 is a front, left side perspective view thereof;
 Figure 1.8 is a front elevation view thereof in an alternate configuration, wherein the clasp is opened;
 Figure 1.9 is a rear elevation view thereof; and
 Figure 1.10 is a right side elevation view thereof.

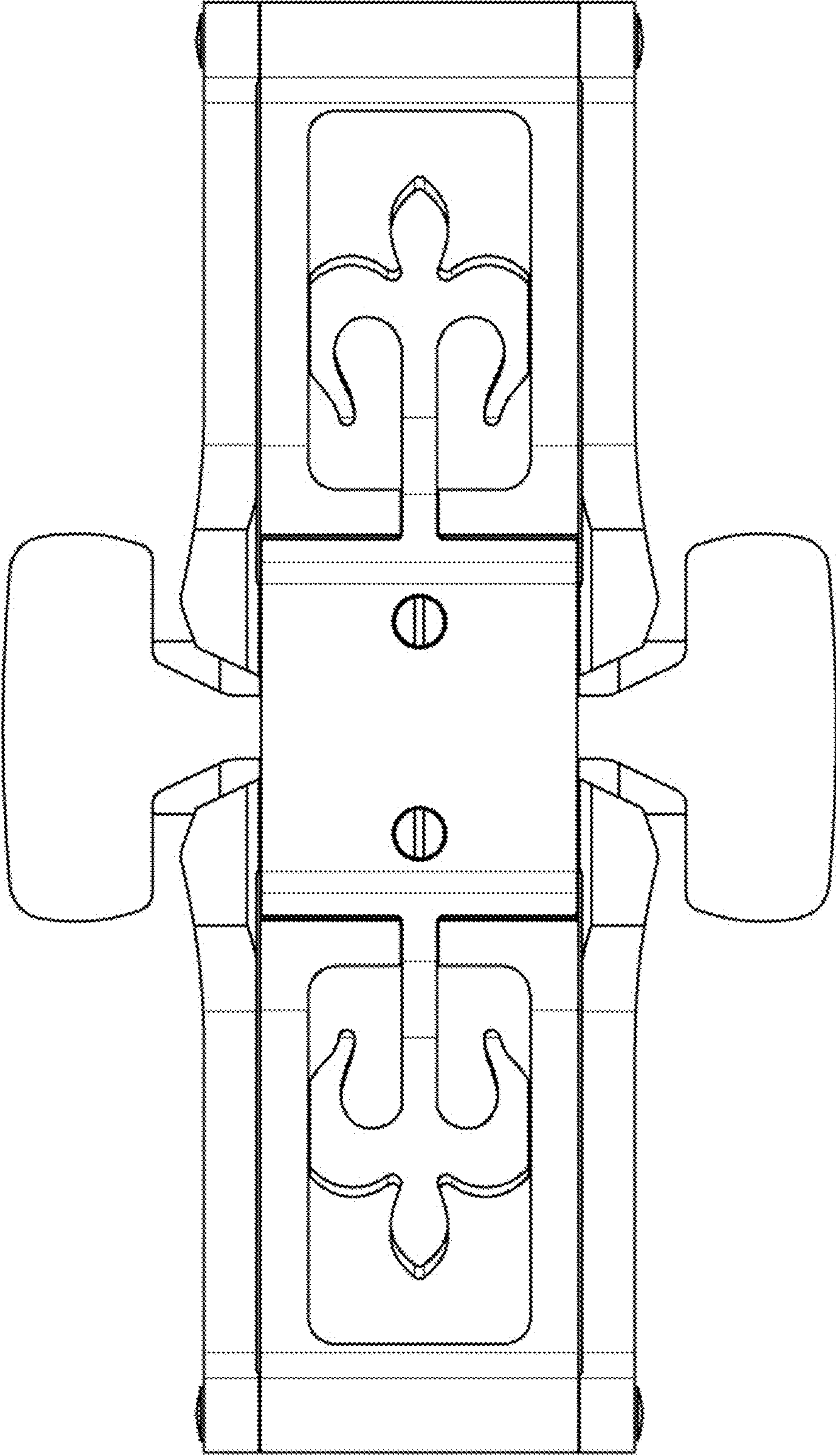
1 Claim, 10 Drawing Sheets



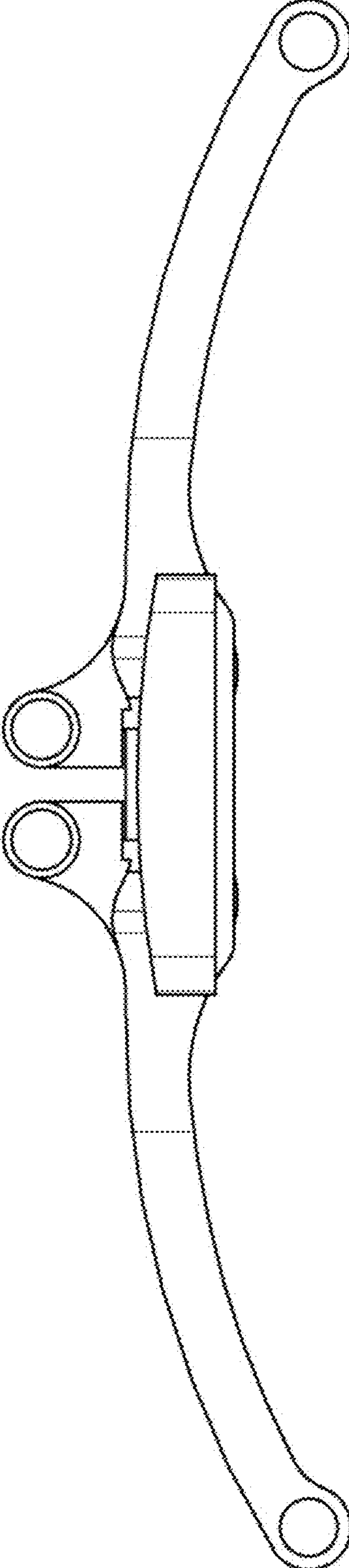
1.1



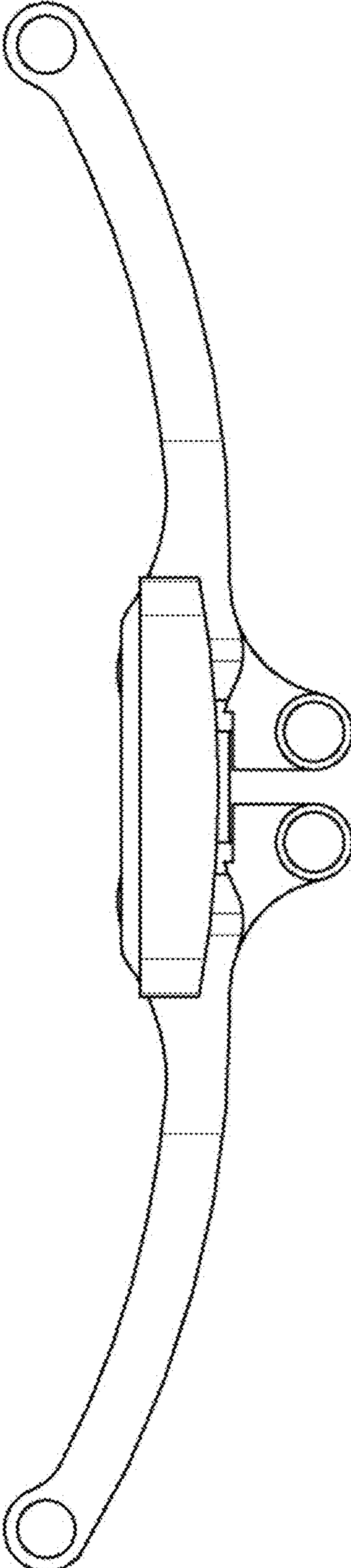
1.2



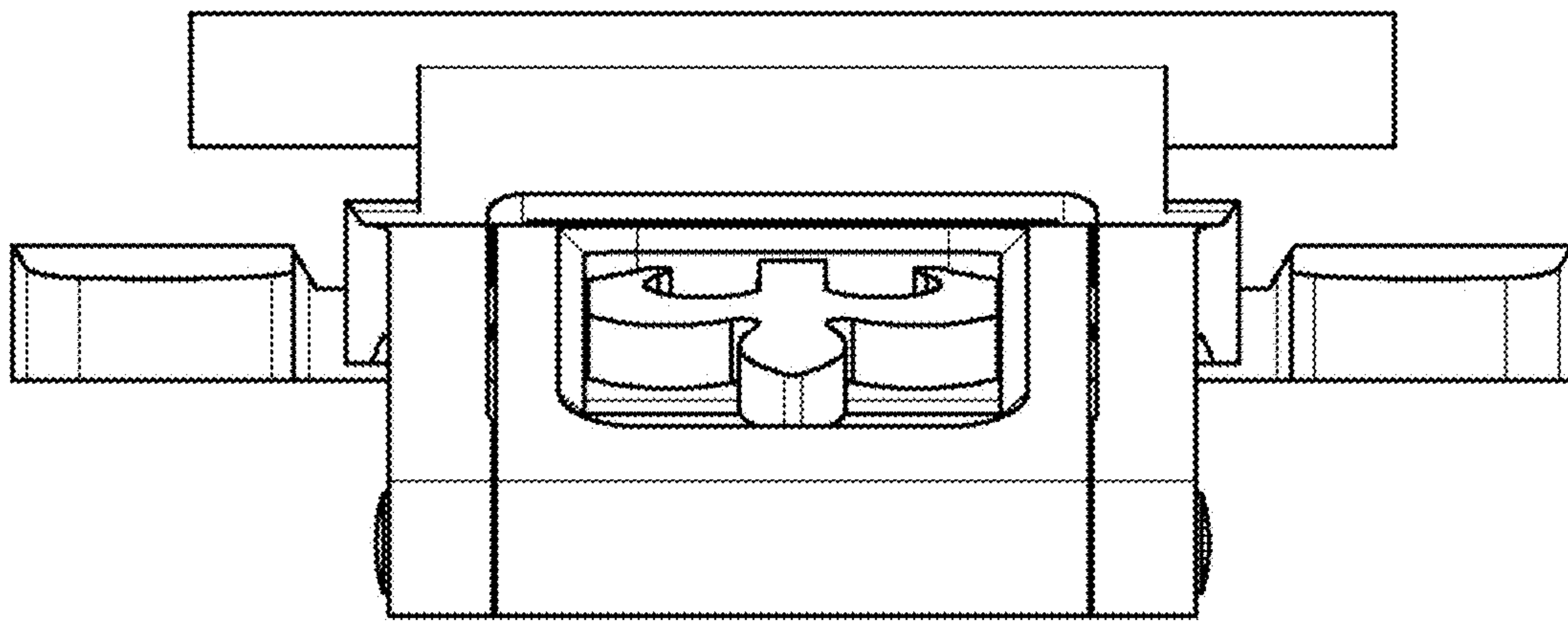
1.3



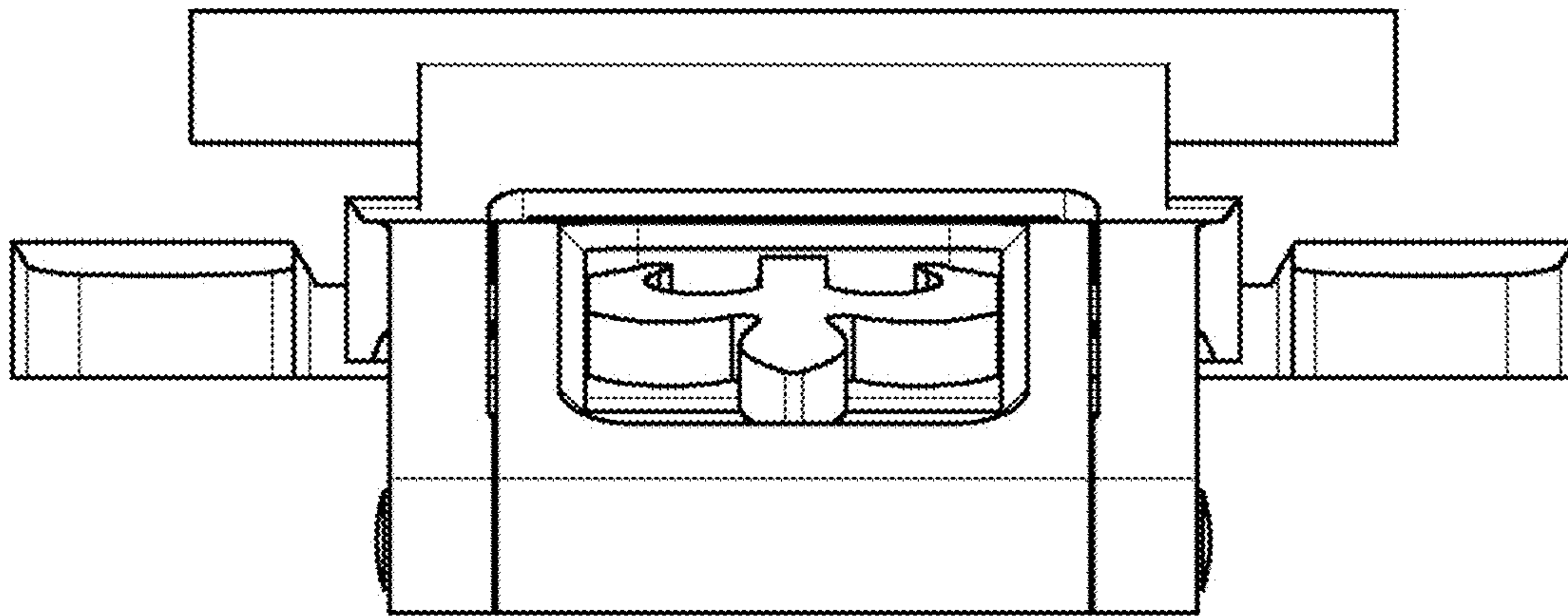
1.4



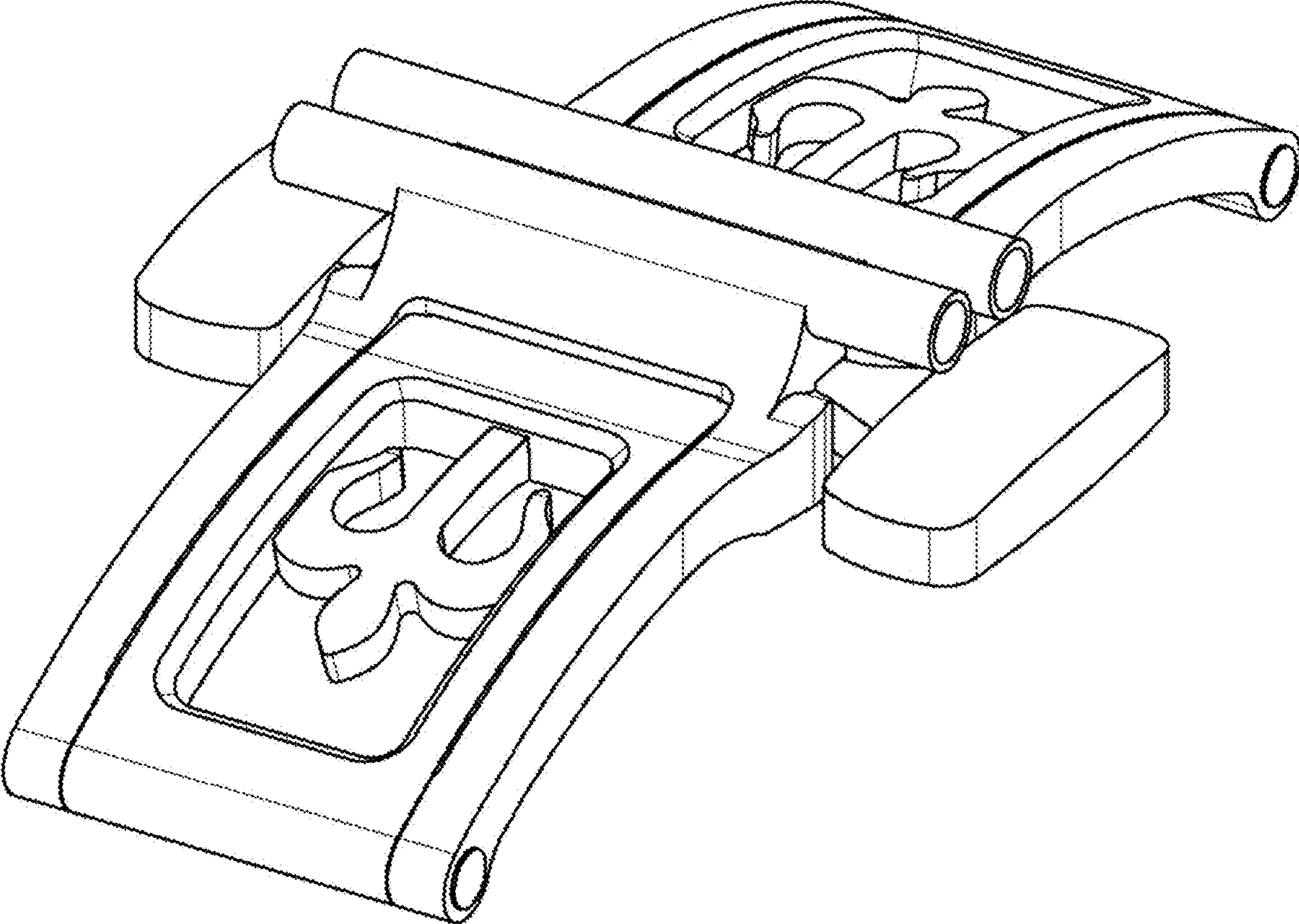
1.5



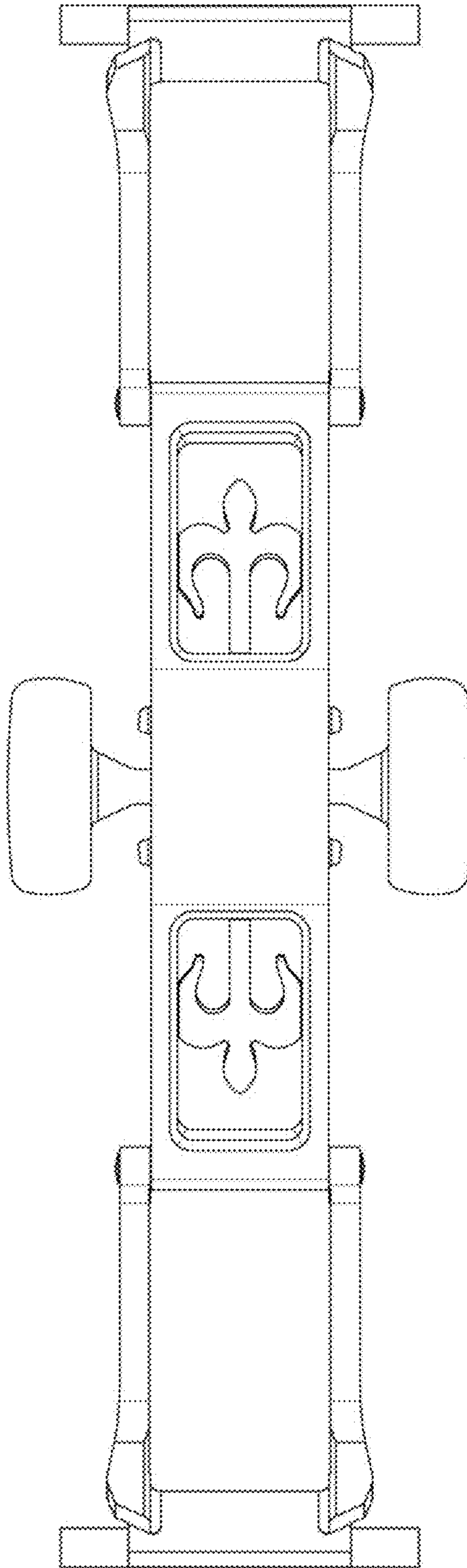
1.6



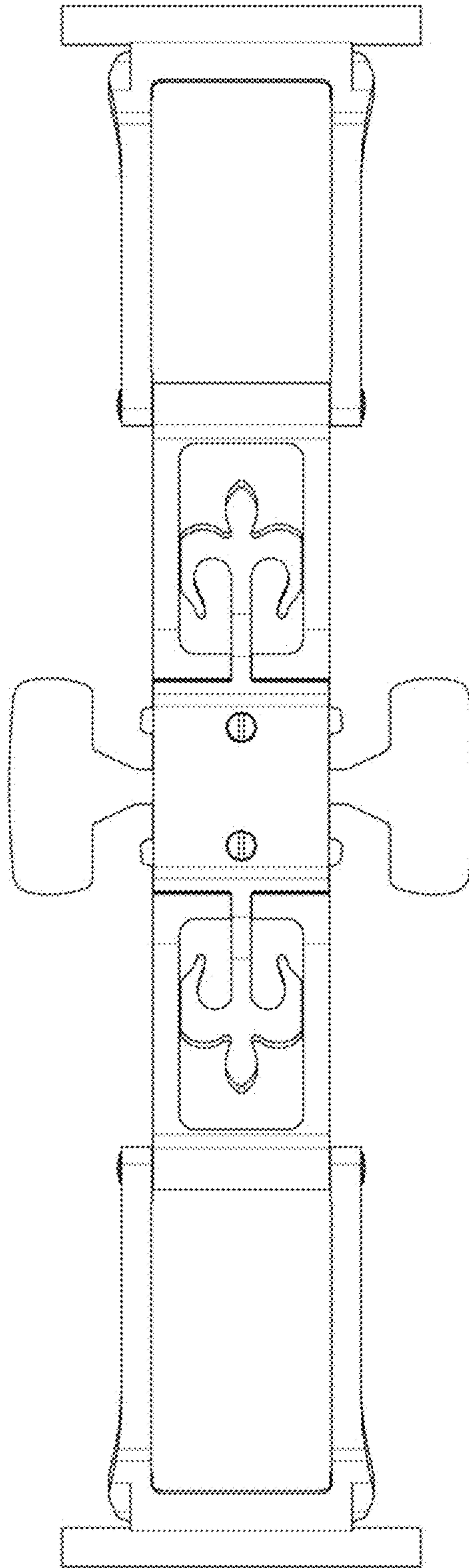
1.7



1.8



1.9



1.10

