

US00D860040S

(12) **United States Design Patent**
Mihlbauer

(10) **Patent No.:** **US D860,040 S**

(45) **Date of Patent:** **** *Sep. 17, 2019**

- (54) **TERRARIUM**
- (71) Applicant: **CENTRAL GARDEN & PET COMPANY**, Walnut Creek, CA (US)
- (72) Inventor: **Brad L. Mihlbauer**, Mukwonago, WI (US)
- (73) Assignee: **CENTRAL GARDEN & PET COMPANY**, Walnut Creek, CA (US)
- (*) Notice: This patent is subject to a terminal disclaimer.
- (**) Term: **15 Years**
- (21) Appl. No.: **29/602,569**
- (22) Filed: **May 2, 2017**
- (51) **LOC (12) Cl.** **11-02**
- (52) **U.S. Cl.**
USPC **D11/145**
- (58) **Field of Classification Search**
USPC D6/403-405, 556-558, 675;
D11/143-156, 164; D9/428, 500, 519,
D9/549; D3/306; D7/522, 524, 537
CPC A01G 9/02; A01G 9/021; A01G 9/028;
A01G 9/029; A01G 9/04; A01G 9/042;
A01G 9/045; A47G 7/00; A47G 7/006;
A47G 7/02; A47G 7/025; A47G 7/04;
A47G 7/044; A47G 7/06
See application file for complete search history.

- 4,967,694 A * 11/1990 Waldman A01K 63/006
119/246
- D329,251 S * 9/1992 Olswold D18/59
- 5,404,839 A * 4/1995 Mancuso A01K 63/003
119/246
- 5,902,025 A * 5/1999 Yu G06F 1/181
312/109
- D535,452 S * 1/2007 Lim D34/19
- D548,407 S * 8/2007 Mihlbauer D11/145
- 7,481,183 B2 * 1/2009 Van Heygen A01K 63/003
119/246
- 7,997,234 B1 * 8/2011 Hughey A01K 1/034
119/496
- D707,108 S * 6/2014 Fischer, Jr. D8/359
- D711,166 S * 8/2014 Anderson D6/671
- D715,050 S * 10/2014 Uffner D3/277
- 9,363,978 B2 * 6/2016 Mihlbauer A01K 63/003
- D784,557 S * 4/2017 Thuma D25/33
- D795,614 S * 8/2017 Thuma D6/671.1

(Continued)

Primary Examiner — Elizabeth A. Albert
(74) *Attorney, Agent, or Firm* — Grossman, Tucker,
Perreault & Pflieger, PLLC

(57) **CLAIM**

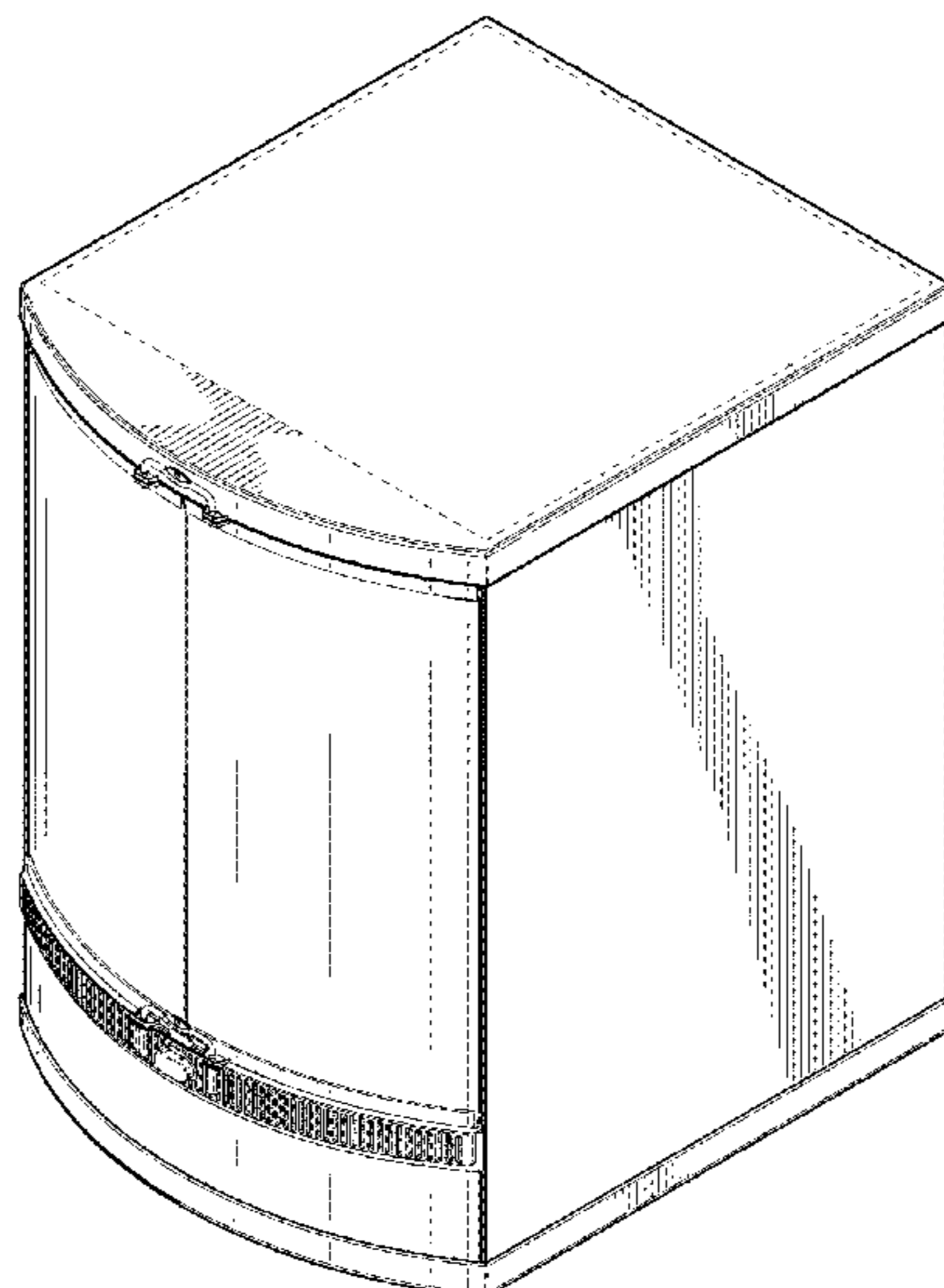
The ornamental design for a terrarium, as shown and described.

DESCRIPTION

FIG. 1 is a perspective view of a terrarium of the present invention;
FIG. 2 is a front view of the terrarium of FIG. 1;
FIG. 3 is a back view of the terrarium of FIG. 1;
FIG. 4 is a side view of the terrarium of FIG. 1;
FIG. 5 is a side view of the terrarium of FIG. 1;
FIG. 6 is a top view of the terrarium of FIG. 1; and,
FIG. 7 is a bottom view of the terrarium of FIG. 1.
The broken lines shown in FIGS. 1, 6 and 7 are included to show portions of the terrarium that form no part of the claimed design.

1 Claim, 7 Drawing Sheets

- (56) **References Cited**
U.S. PATENT DOCUMENTS
1,959,800 A * 5/1934 Rogge A47G 7/041
16/42 R
4,318,237 A * 3/1982 Hicks G09F 13/04
40/502
D299,391 S * 1/1989 Meehan D15/83
D305,708 S * 1/1990 Newhouse D6/668.2



(56)

References Cited

U.S. PATENT DOCUMENTS

D802,030 S * 11/2017 Thuma D15/81
9,867,364 B2 * 1/2018 Keller A01K 63/006

* cited by examiner

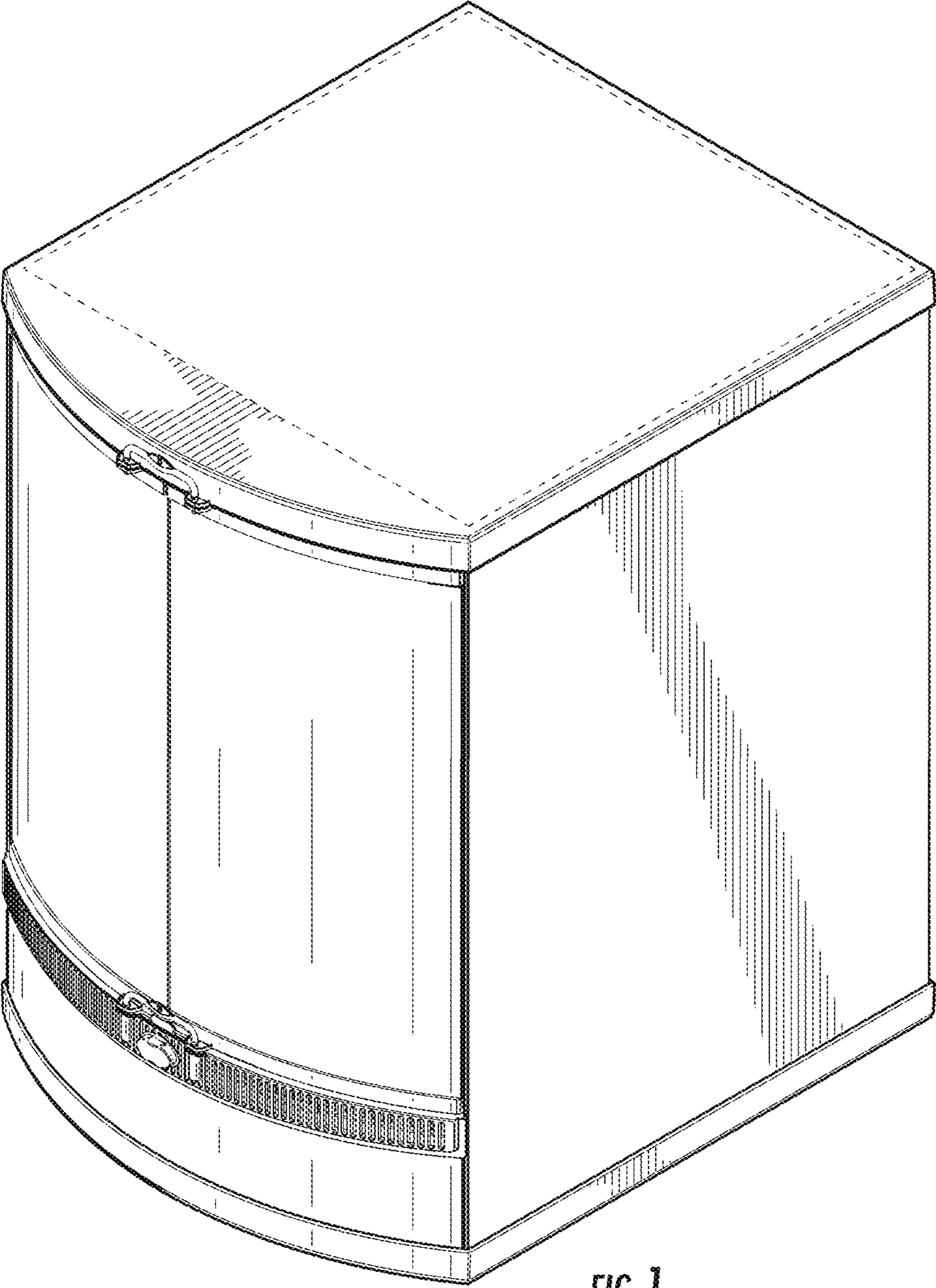


FIG. 1

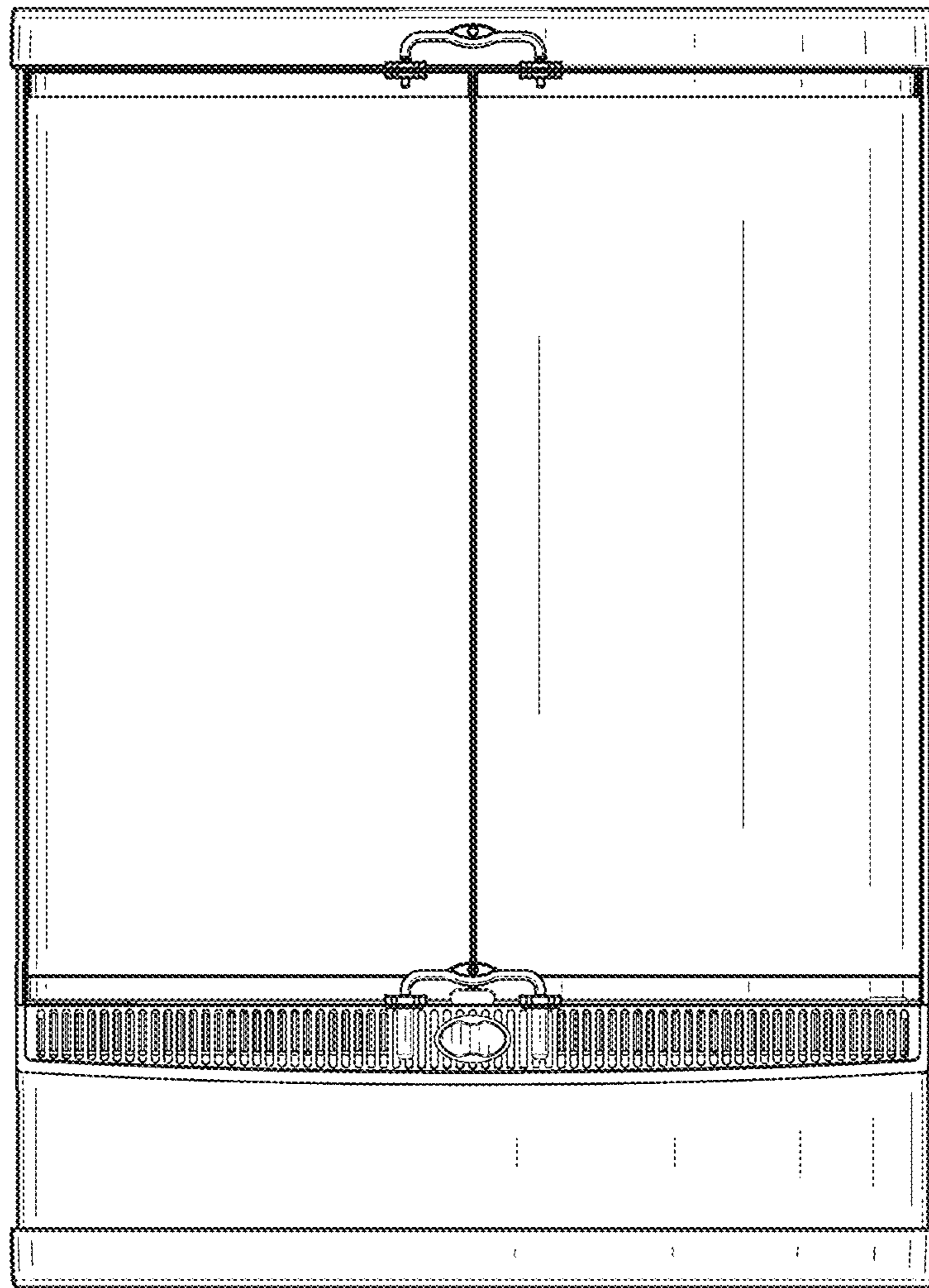


FIG. 2

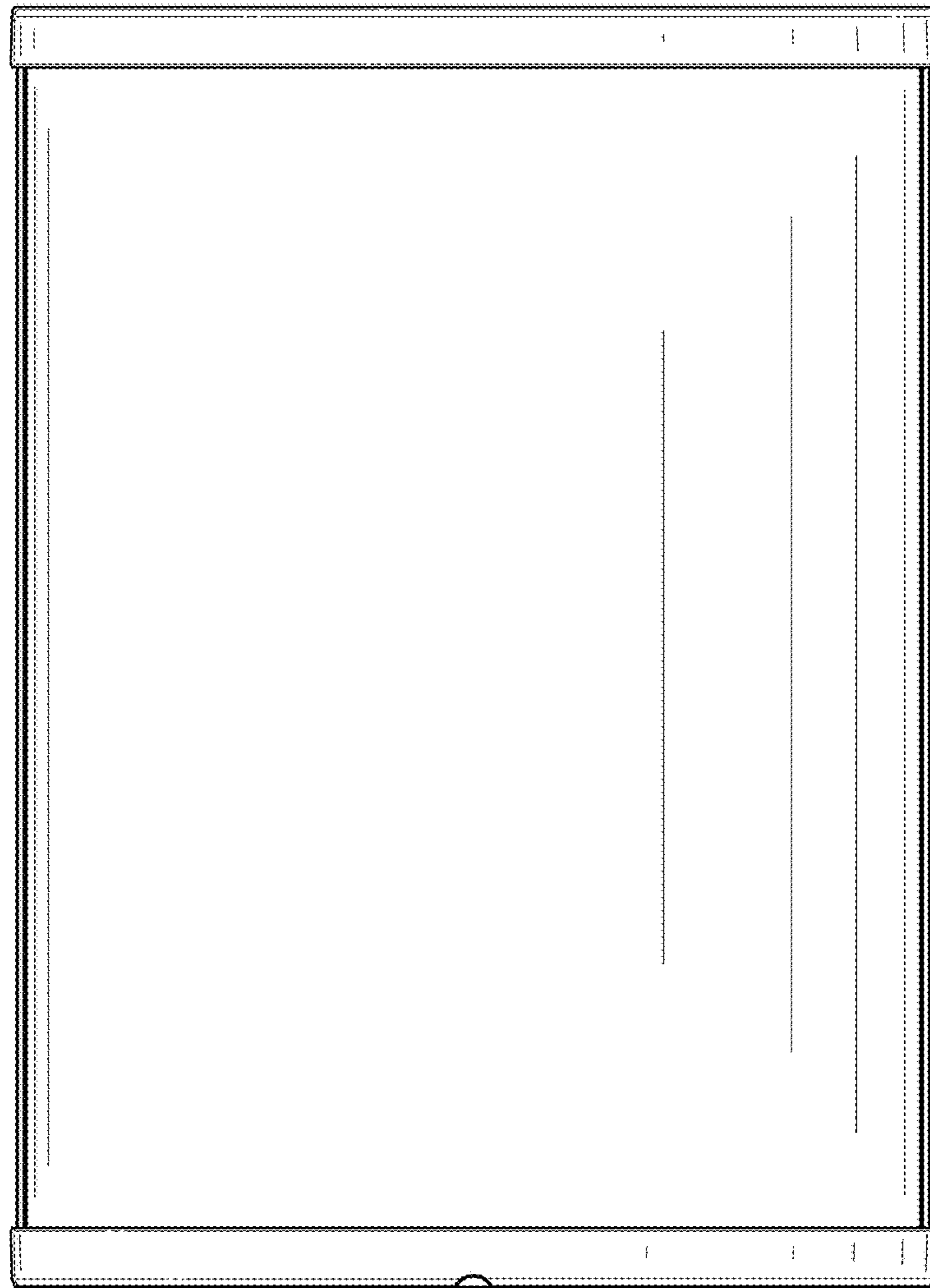


FIG. 3

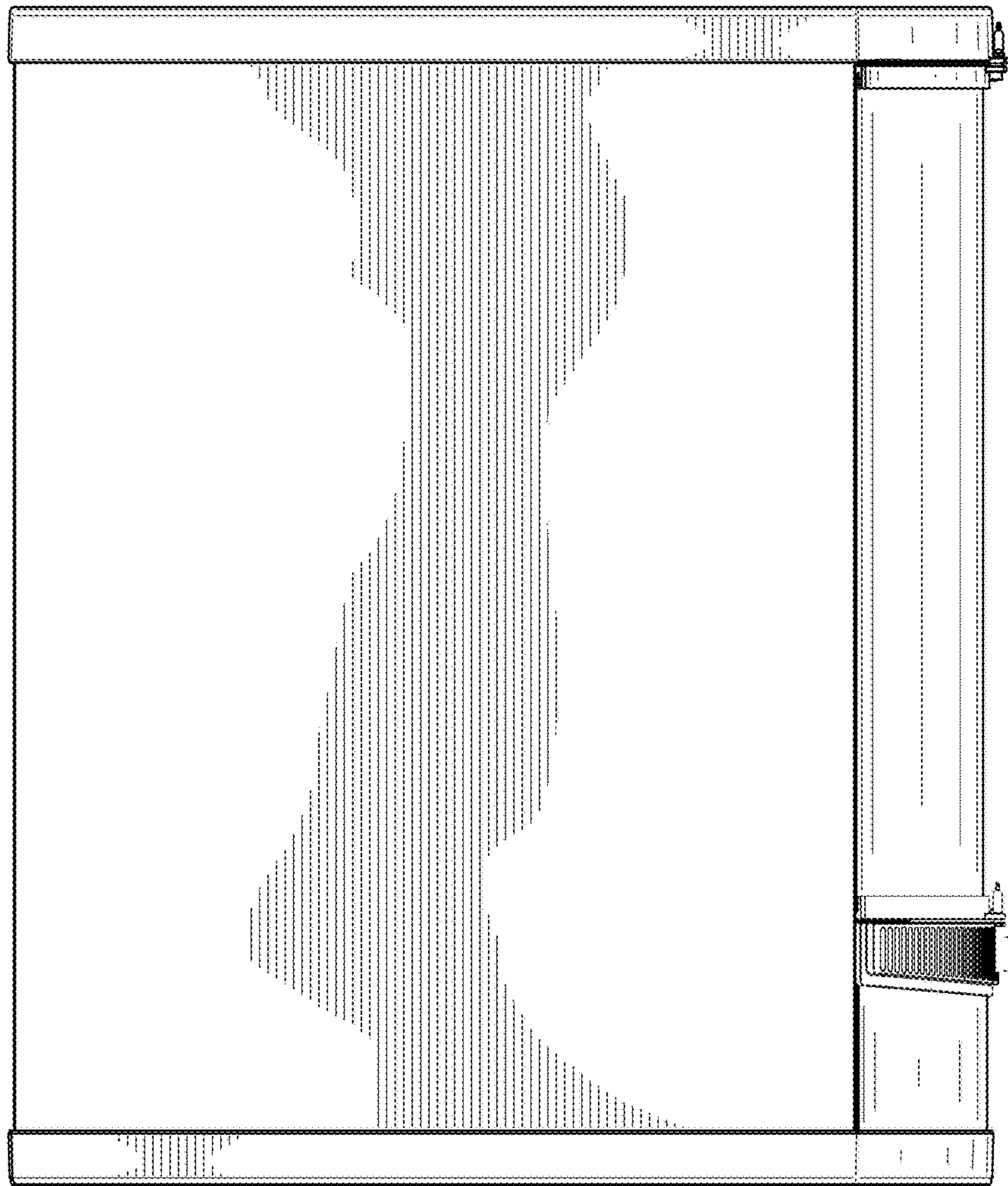


FIG. 4

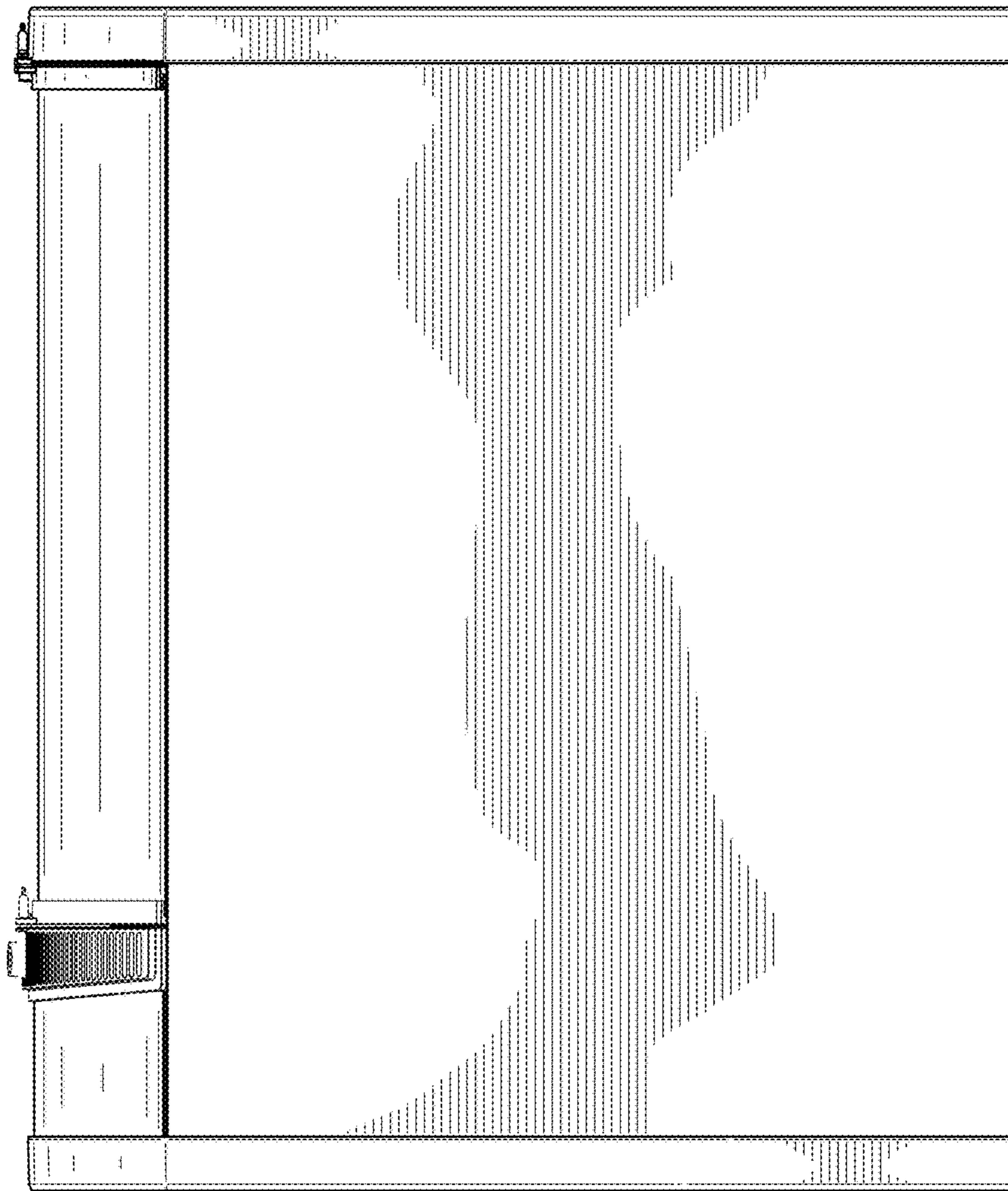


FIG. 5

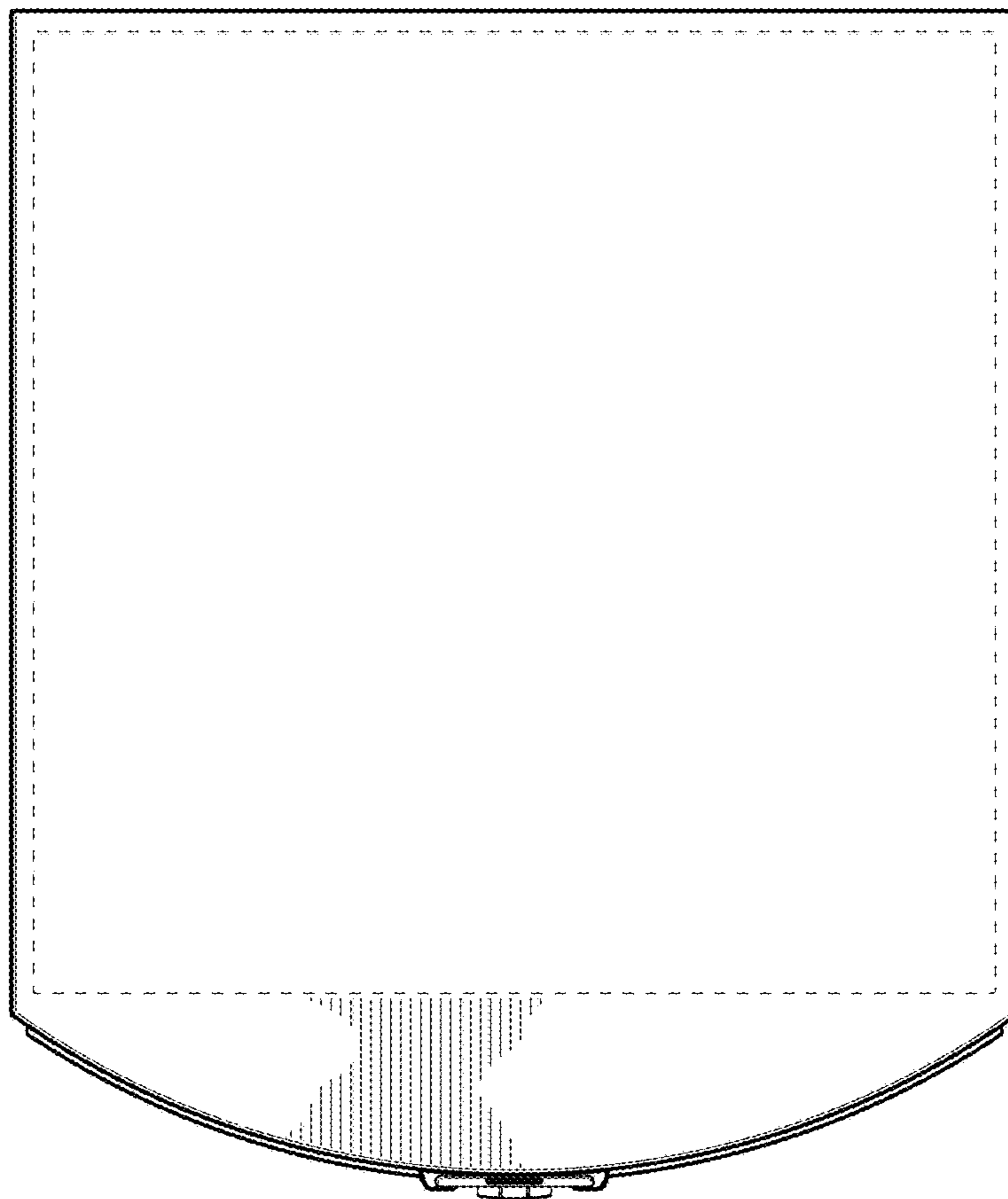


FIG. 6

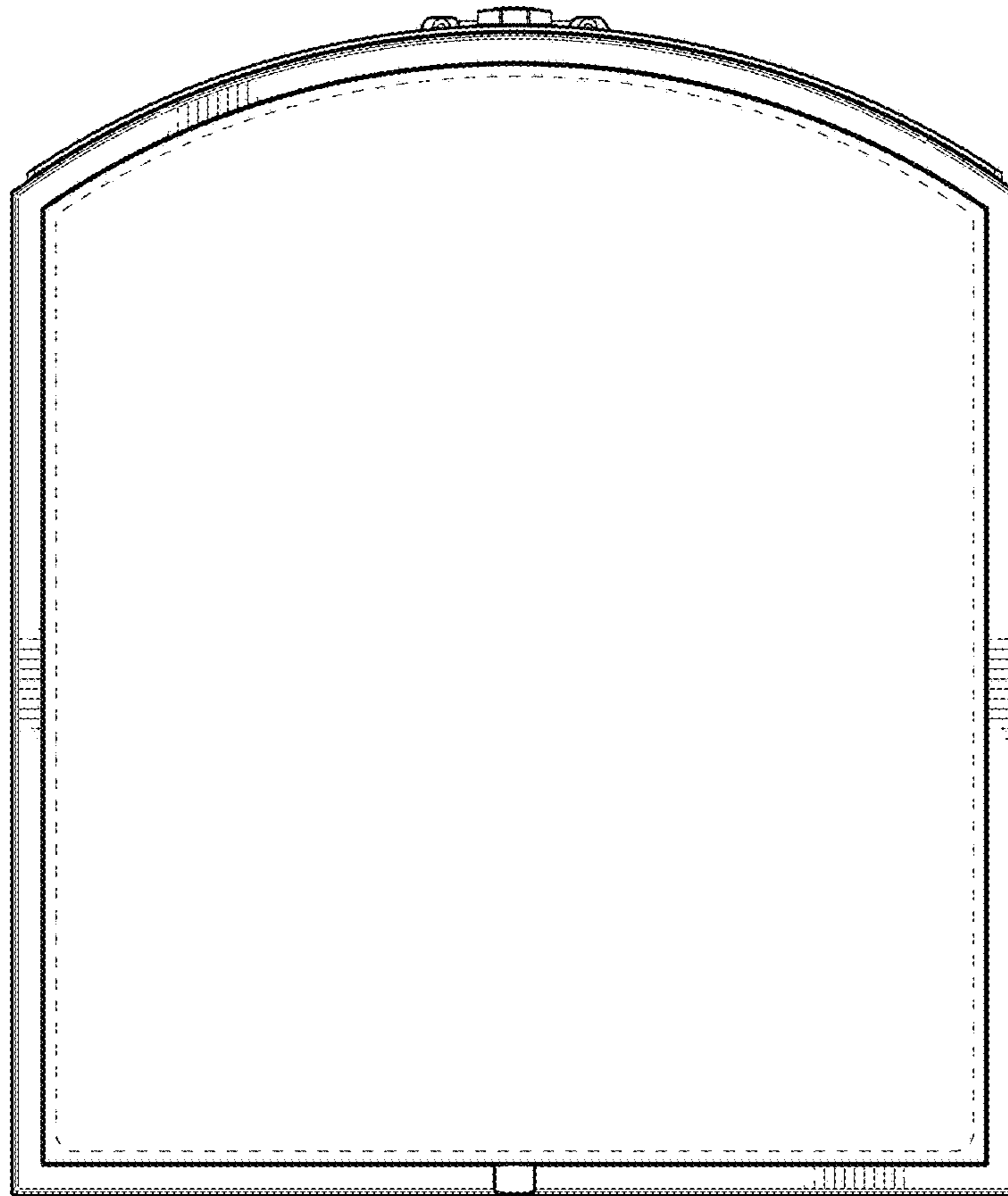


FIG. 7