

US00D860039S

(12) **United States Design Patent**  
**Mihlbauer**

(10) **Patent No.:** **US D860,039 S**

(45) **Date of Patent:** **\*\* \*Sep. 17, 2019**

- (54) **TERRARIUM**
- (71) Applicant: **CENTRAL GARDEN & PET COMPANY**, Walnut Creek, CA (US)
- (72) Inventor: **Brad L. Mihlbauer**, Mukwonago, WI (US)
- (73) Assignee: **CENTRAL GARDEN & PET COMPANY**, Walnut Creek, CA (US)
- (\*) Notice: This patent is subject to a terminal disclaimer.
- (\*\*) Term: **15 Years**
- (21) Appl. No.: **29/602,568**
- (22) Filed: **May 2, 2017**
- (51) **LOC (12) Cl.** ..... **11-02**
- (52) **U.S. Cl.**  
USPC ..... **D11/145**
- (58) **Field of Classification Search**  
USPC ..... D6/403-405, 556-558, 675;  
D11/143-156, 164; D9/428, 500, 519,  
D9/549; D3/306; D7/522, 524, 537  
CPC ..... A01G 9/02; A01G 9/021; A01G 9/028;  
A01G 9/029; A01G 9/04; A01G 9/042;  
A01G 9/045; A47G 7/00; A47G 7/006;  
A47G 7/02; A47G 7/025; A47G 7/04;  
A47G 7/044; A47G 7/06  
See application file for complete search history.

- 4,967,694 A \* 11/1990 Waldman ..... A01K 63/006  
119/246
- D329,251 S \* 9/1992 Olswold ..... D18/59
- 5,404,839 A \* 4/1995 Mancuso ..... A01K 63/003  
119/246
- 5,902,025 A \* 5/1999 Yu ..... G06F 1/181  
312/109
- D535,452 S \* 1/2007 Lim ..... D34/19
- D548,407 S \* 8/2007 Mihlbauer ..... D11/145
- 7,481,183 B2 \* 1/2009 Van Heygen ..... A01K 63/003  
119/246
- 7,997,234 B1 \* 8/2011 Hughey ..... A01K 1/034  
119/496
- D707,108 S \* 6/2014 Fischer, Jr. .... D8/359
- D711,166 S \* 8/2014 Anderson ..... D6/671
- D715,050 S \* 10/2014 Uffner ..... D3/277
- 9,363,978 B2 \* 6/2016 Mihlbauer ..... A01K 63/003
- D784,557 S \* 4/2017 Thuma ..... D25/33
- D795,614 S \* 8/2017 Thuma ..... D6/671.1

(Continued)

*Primary Examiner* — Elizabeth A. Albert  
(74) *Attorney, Agent, or Firm* — Grossman, Tucker,  
Perreault & Pflieger, PLLC

(57) **CLAIM**

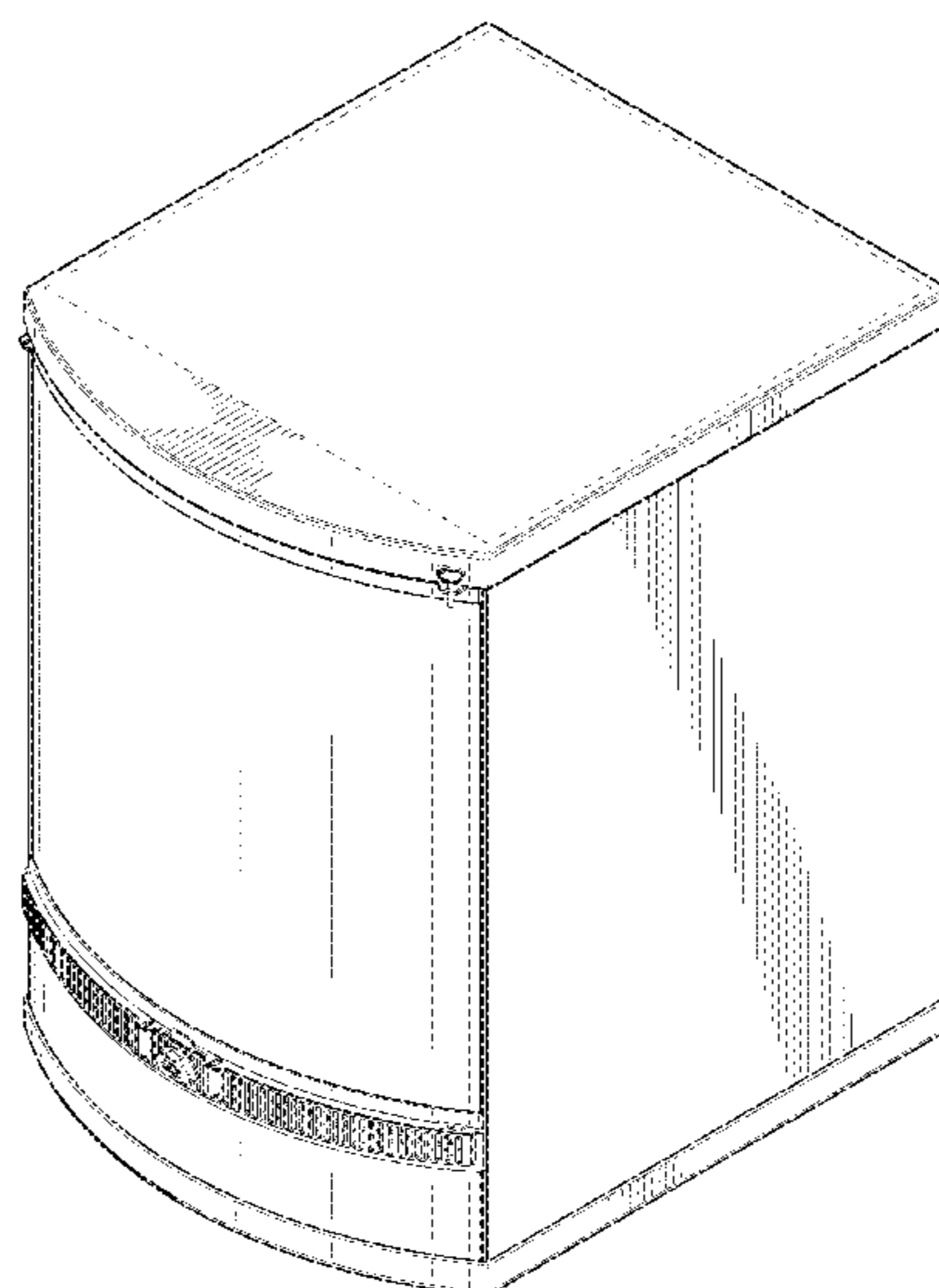
The ornamental design for a terrarium, as shown and described.

**DESCRIPTION**

FIG. 1 is a perspective view of a terrarium of the present invention;  
FIG. 2 is a front view of the terrarium of FIG. 1;  
FIG. 3 is a back view of the terrarium of FIG. 1;  
FIG. 4 is a side view of the terrarium of FIG. 1;  
FIG. 5 is a side view of the terrarium of FIG. 1;  
FIG. 6 is a top view of the terrarium of FIG. 1; and,  
FIG. 7 is a bottom view of the terrarium of FIG. 1.  
The broken lines shown in FIGS. 1, 6 and 7 are included to show portions of the terrarium that form no part of the claimed design.

**1 Claim, 7 Drawing Sheets**

- (56) **References Cited**  
U.S. PATENT DOCUMENTS  
1,959,800 A \* 5/1934 Rogge ..... A47G 7/041  
16/42 R  
4,318,237 A \* 3/1982 Hicks ..... G09F 13/04  
40/502  
D299,391 S \* 1/1989 Meehan ..... D15/83  
D305,708 S \* 1/1990 Newhouse ..... D6/668.2



(56)

**References Cited**

U.S. PATENT DOCUMENTS

D802,030 S \* 11/2017 Thuma ..... D15/81  
9,867,364 B2 \* 1/2018 Keller ..... A01K 63/006

\* cited by examiner

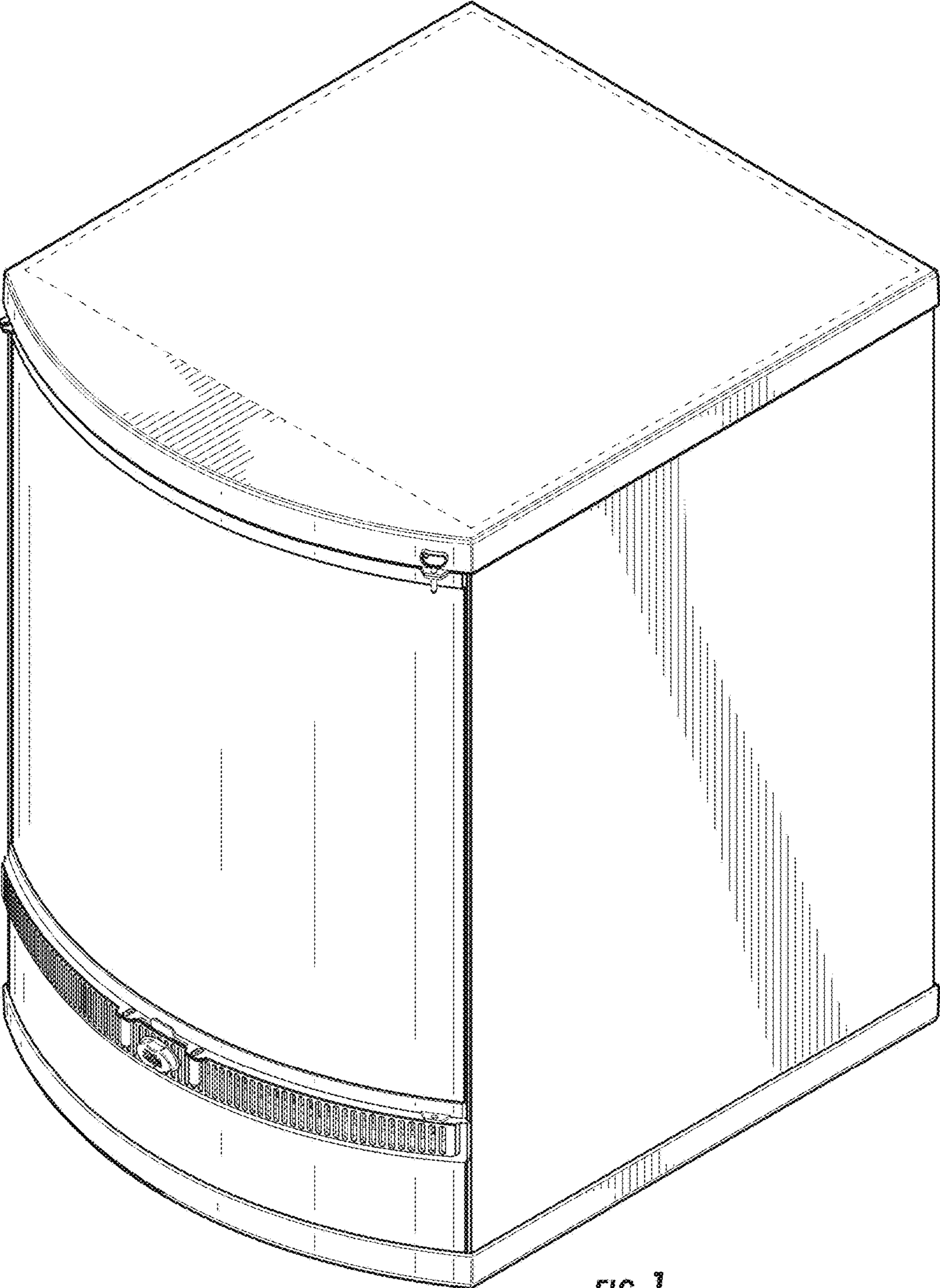


FIG. 1

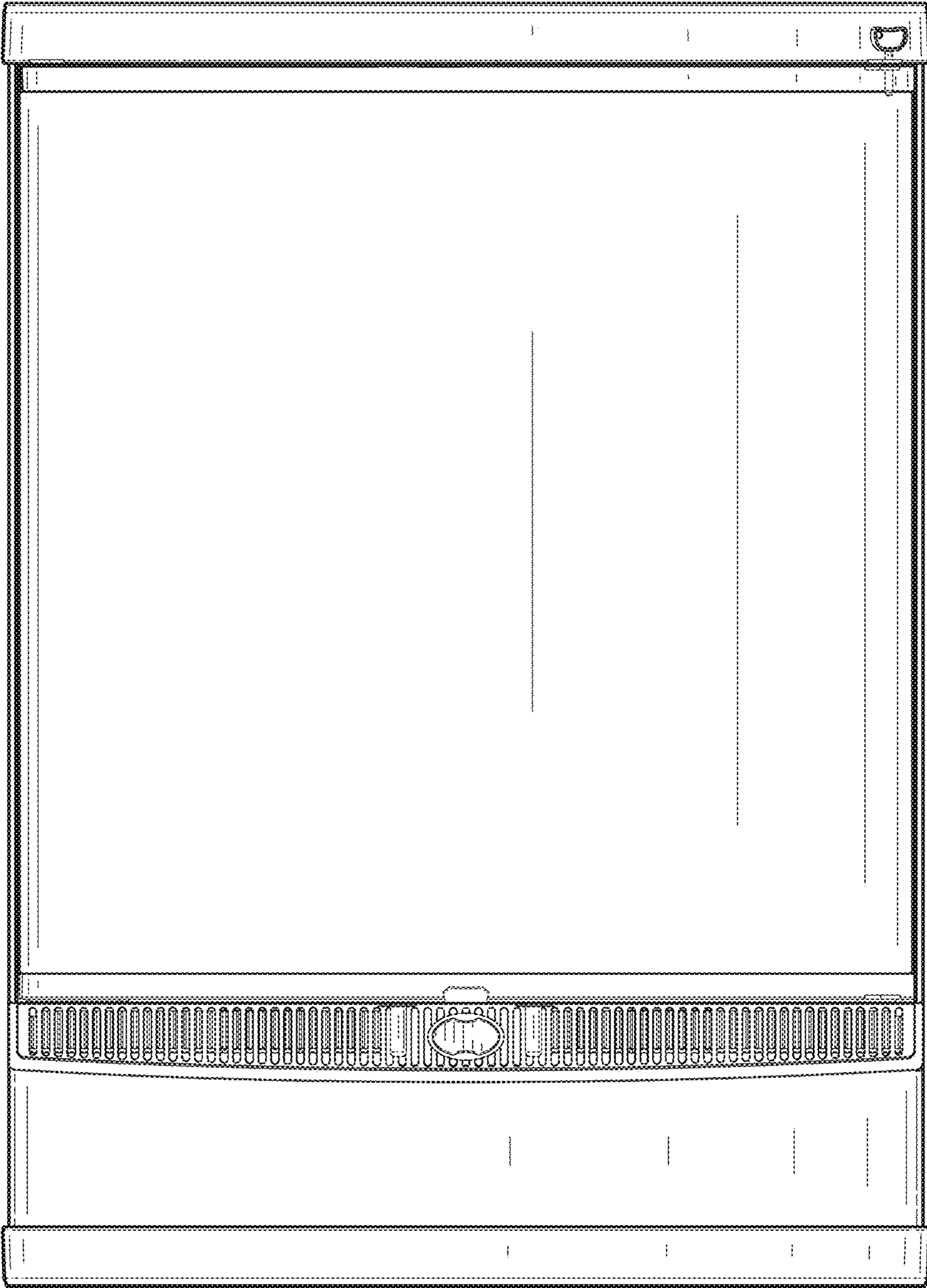


FIG. 2

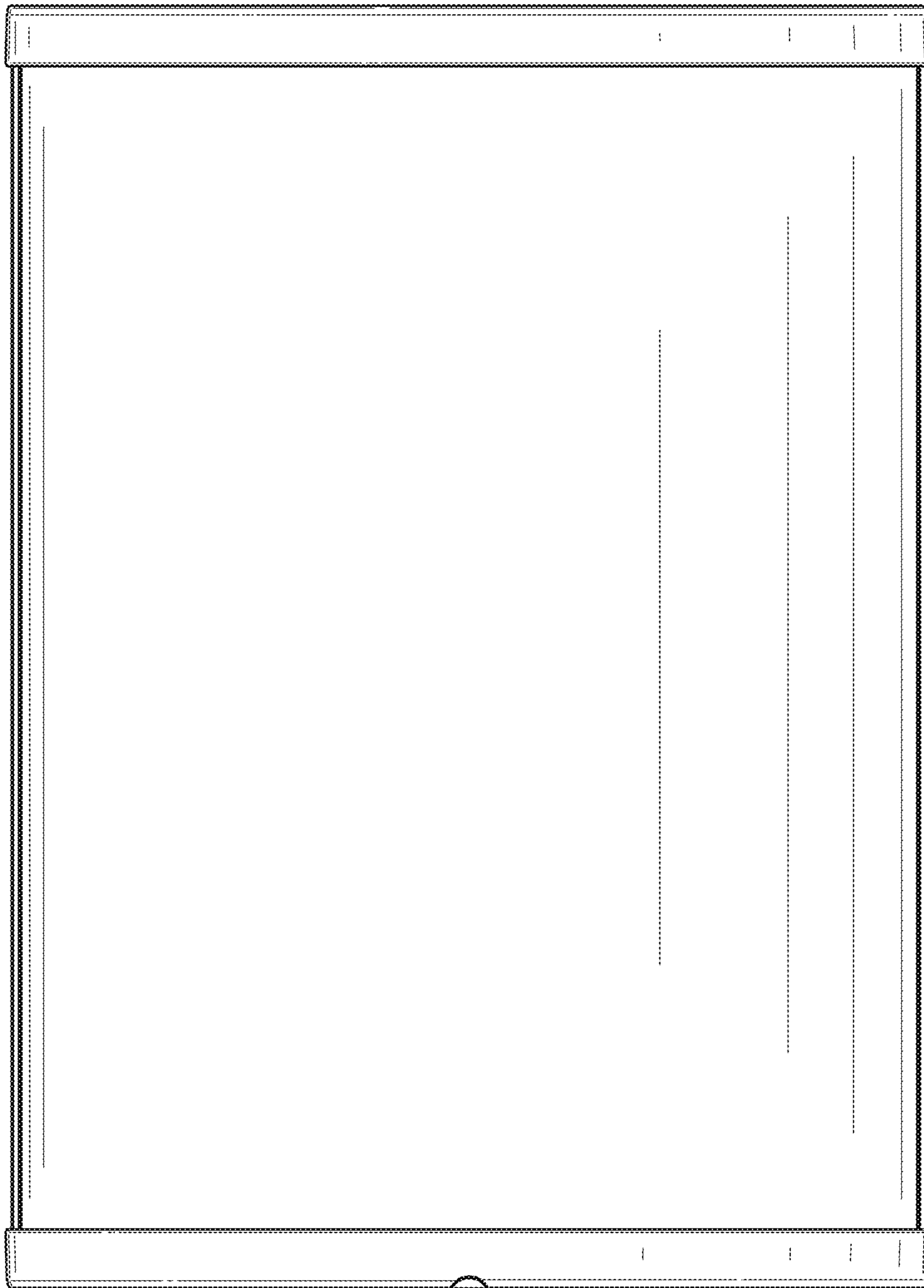


FIG. 3

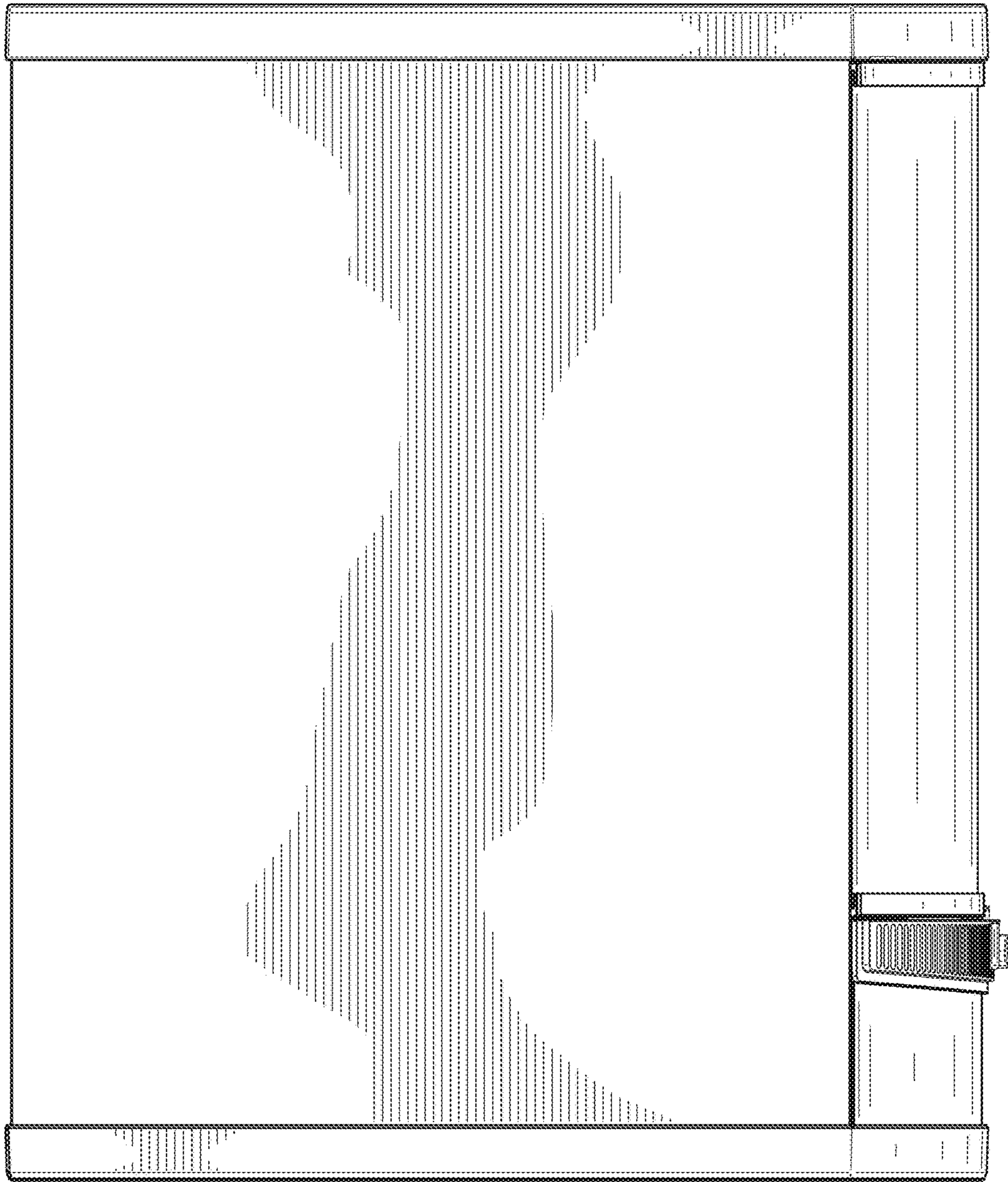


FIG. 4

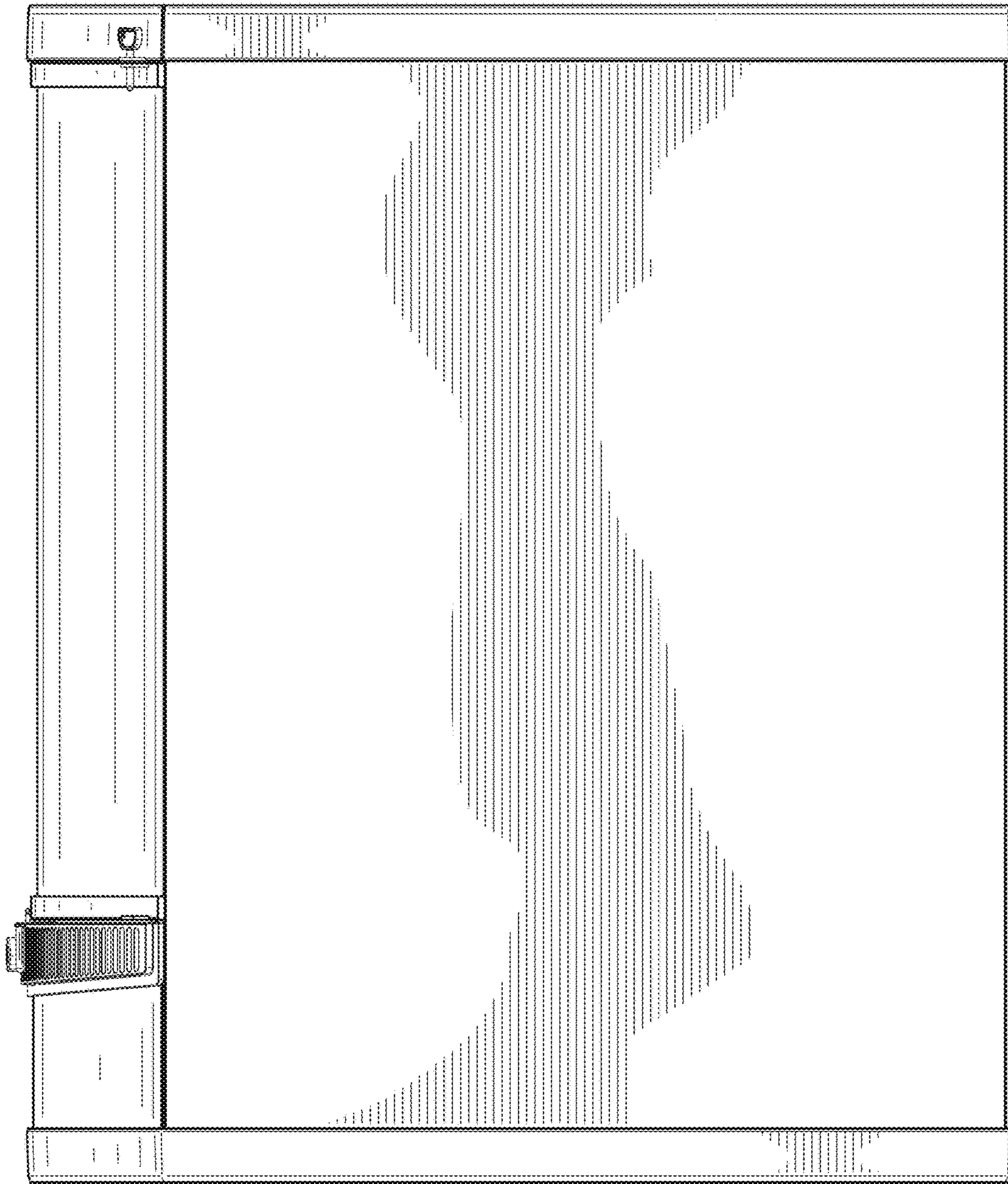


FIG. 5

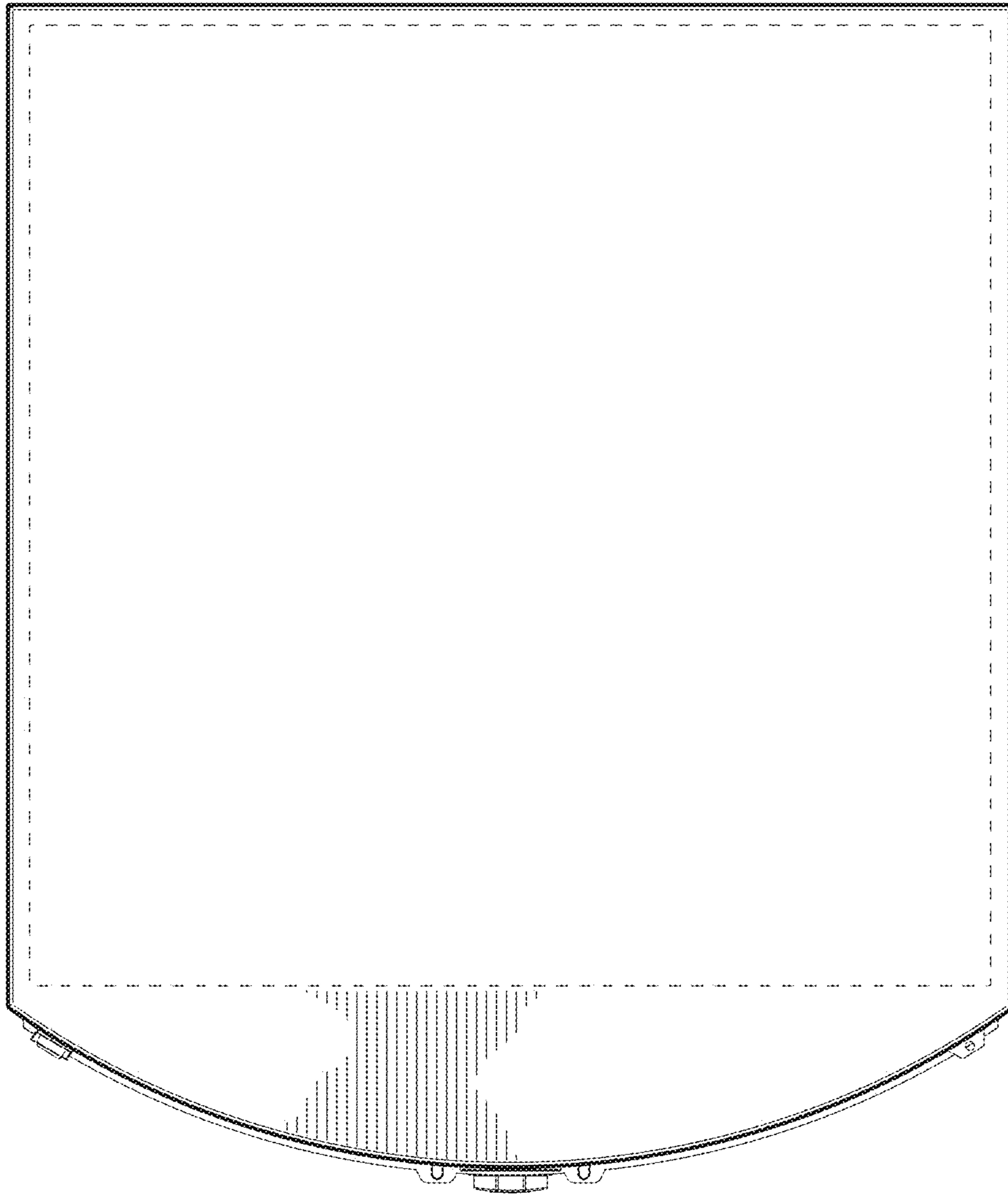


FIG. 6



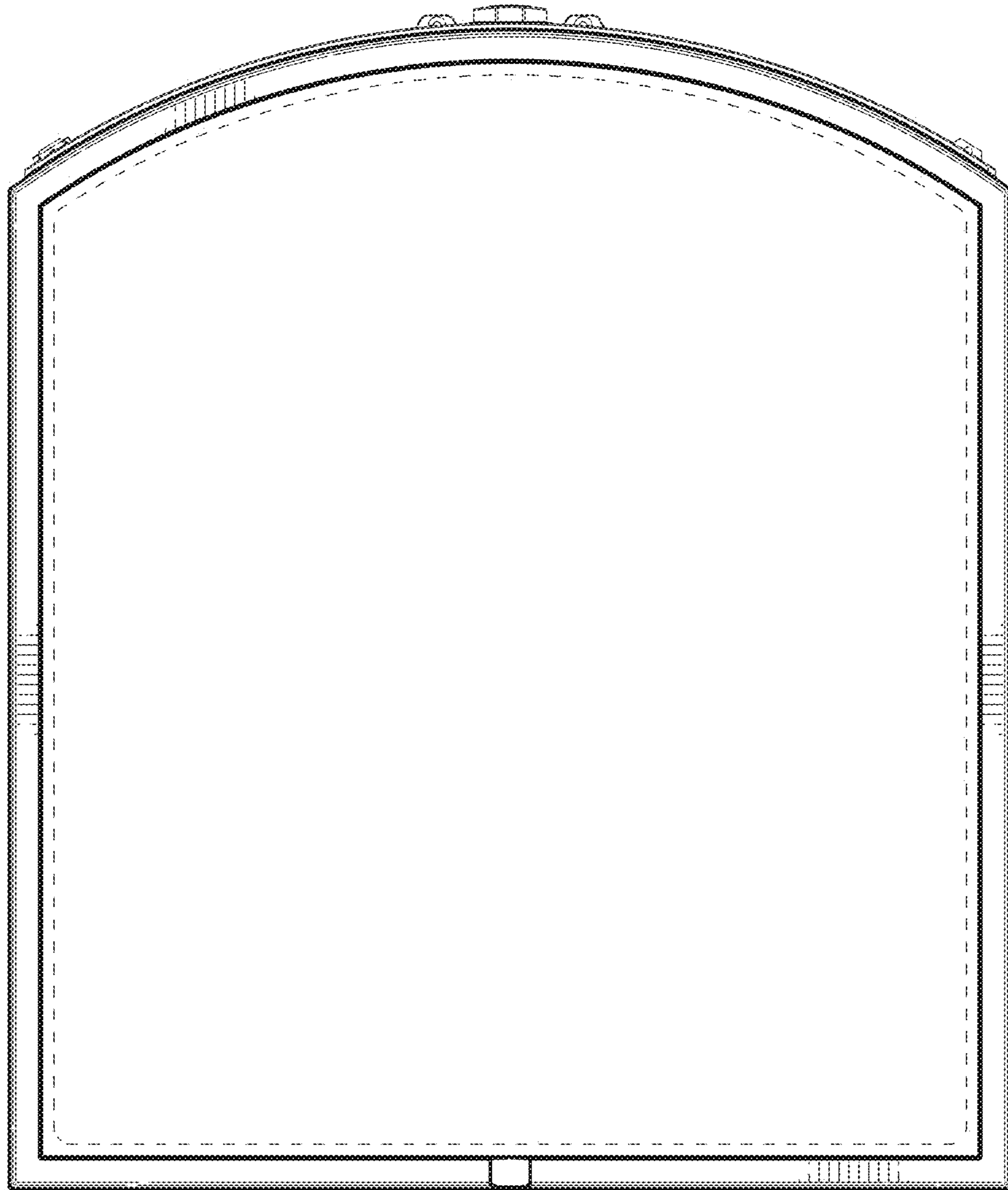


FIG. 7