

US00D860038S

(12) **United States Design Patent** (10) **Patent No.:** **US D860,038 S**
Stutzman et al. (45) **Date of Patent:** **** Sep. 17, 2019**

(54) **ORNAMENT**
(71) Applicants: **Scot Stutzman**, Jamestown, NY (US);
Brad Hofert, Jamestown, NY (US)
(72) Inventors: **Scot Stutzman**, Jamestown, NY (US);
Brad Hofert, Jamestown, NY (US)
(**) Term: **15 Years**
(21) Appl. No.: **29/655,663**
(22) Filed: **Jul. 5, 2018**
(51) **LOC (12) Cl.** **11-05**
(52) **U.S. Cl.**
USPC **D11/127; D10/118; D10/118.1;**
D11/125
(58) **Field of Classification Search**
USPC D11/117, 121, 125, 127, 128, 130, 131,
D11/132, 133, 134, 141, 157, 158, 164;
D10/118, 118.1, 118.2; D3/207, 208, 211
CPC A47G 33/00; A47G 33/08; A47G 33/0809;
A47G 33/0818; A47G 33/0863; B44C
5/00; B44C 5/04; B44C 5/0415; B44C
5/0407
See application file for complete search history.

4,619,846 A * 10/1986 Oborzil G10K 1/071
116/148
D289,620 S * 5/1987 Murtagh D10/116.1
D346,986 S * 5/1994 Friess, Jr. 116/169
D362,820 S * 10/1995 Chih D10/118
D373,547 S * 9/1996 Stratford D10/118
5,842,778 A * 12/1998 Maring A47G 33/0836
362/237
D411,481 S * 6/1999 Ning D11/125
D420,613 S * 2/2000 Williams D10/116.1
D559,728 S * 1/2008 Chen D11/117
D577,628 S * 9/2008 Chen D11/117
7,485,788 B2 * 2/2009 Fennell G10K 1/07
84/402
D592,095 S * 5/2009 Wessling D11/117
D617,669 S * 6/2010 Webb D10/118
D799,357 S * 10/2017 Friess D10/118.1

* cited by examiner

Primary Examiner — Elizabeth J Oswecki

(57) **CLAIM**

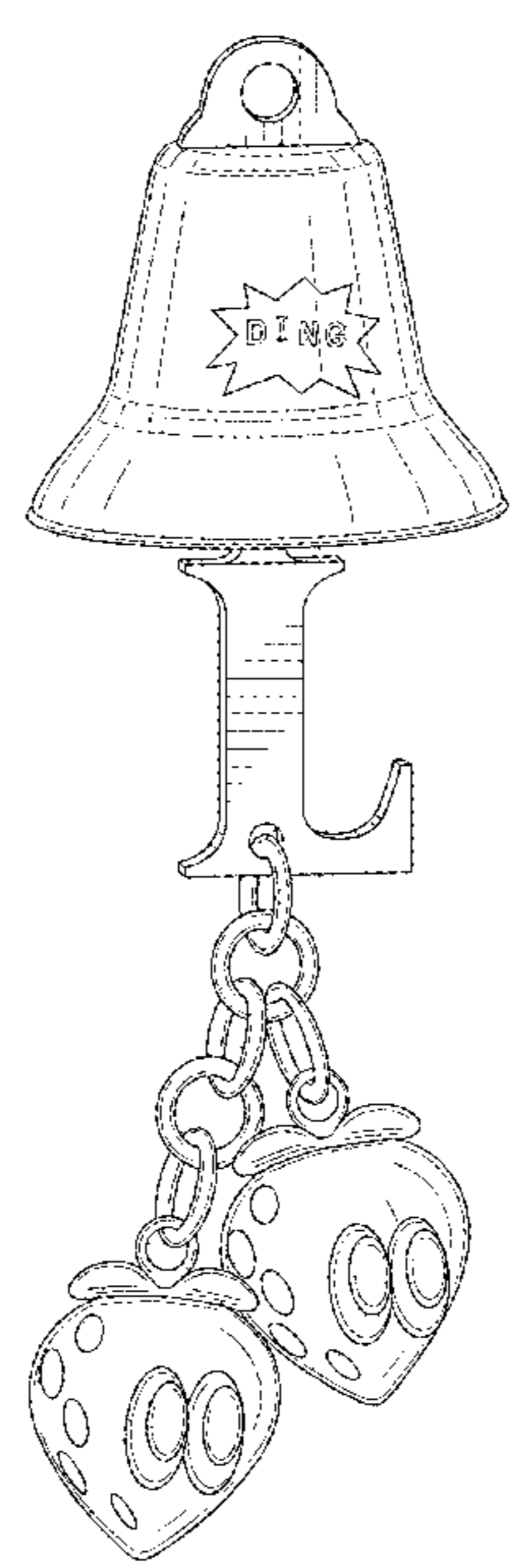
The ornamental design for an ornament, as shown and described.

DESCRIPTION

FIG. 1 is a top perspective view of an ornament showing our new design;
FIG. 2 is a front view thereof;
FIG. 3 is a rear view thereof;
FIG. 4 is a left side view thereof;
FIG. 5 is a right side view thereof;
FIG. 6 is a top view thereof;
FIG. 7 is a bottom view thereof; and,
FIG. 8 is a top perspective view thereof, shown in a used condition with a rope and tree shown in broken lines that form no part of the claimed design.

1 Claim, 7 Drawing Sheets

(56) **References Cited**
U.S. PATENT DOCUMENTS
2,234,835 A * 3/1941 Sexton A47G 33/08
116/150
D224,853 S * 9/1972 Meyer D11/141
4,186,682 A * 2/1980 Longsdorf G10K 1/071
116/171
D272,523 S * 2/1984 P'eng D10/116.1
D277,742 S * 2/1985 Hermanson 428/11
D279,873 S * 7/1985 Neely D10/116.1



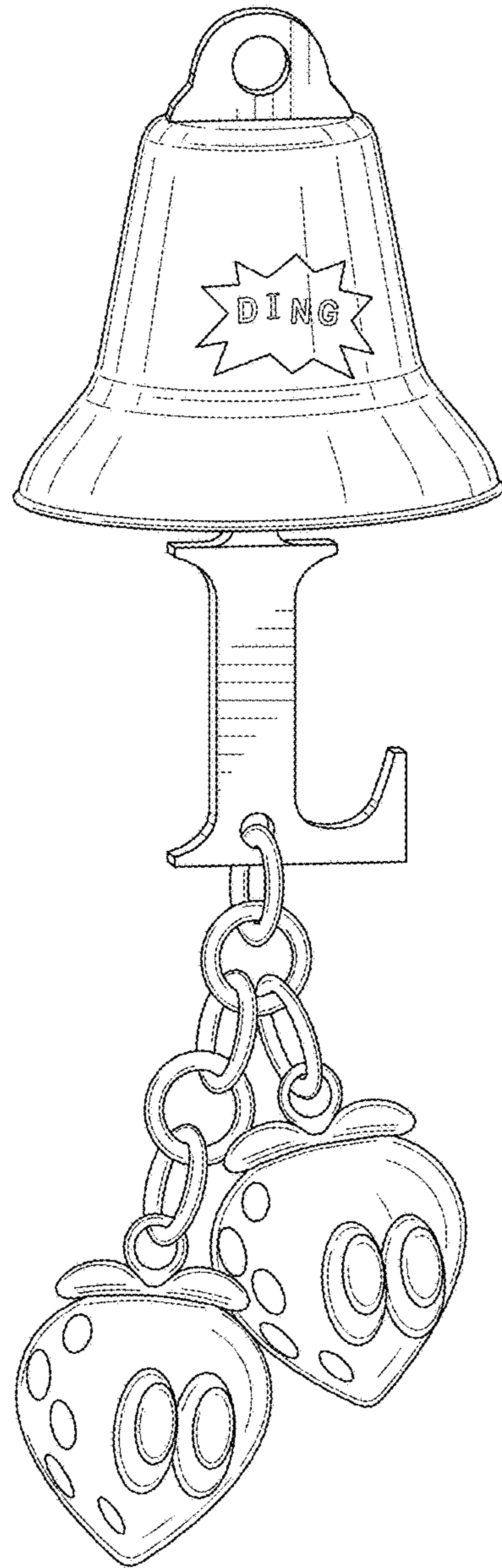


FIG. 1

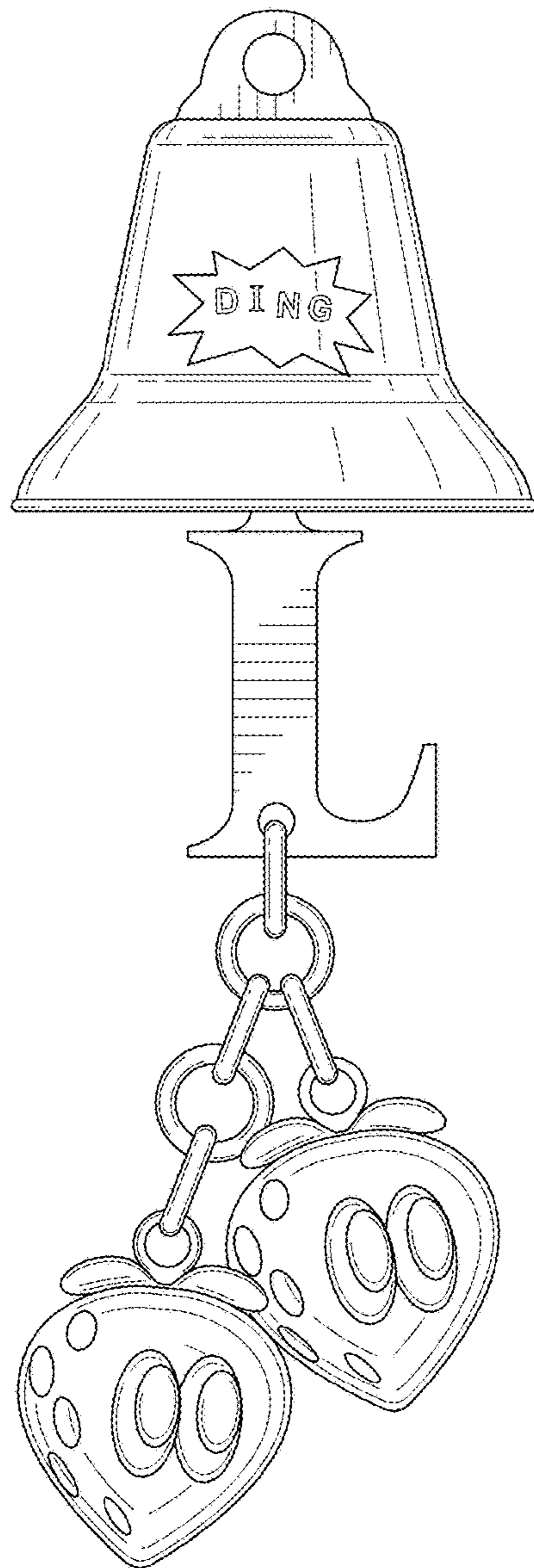


FIG. 2

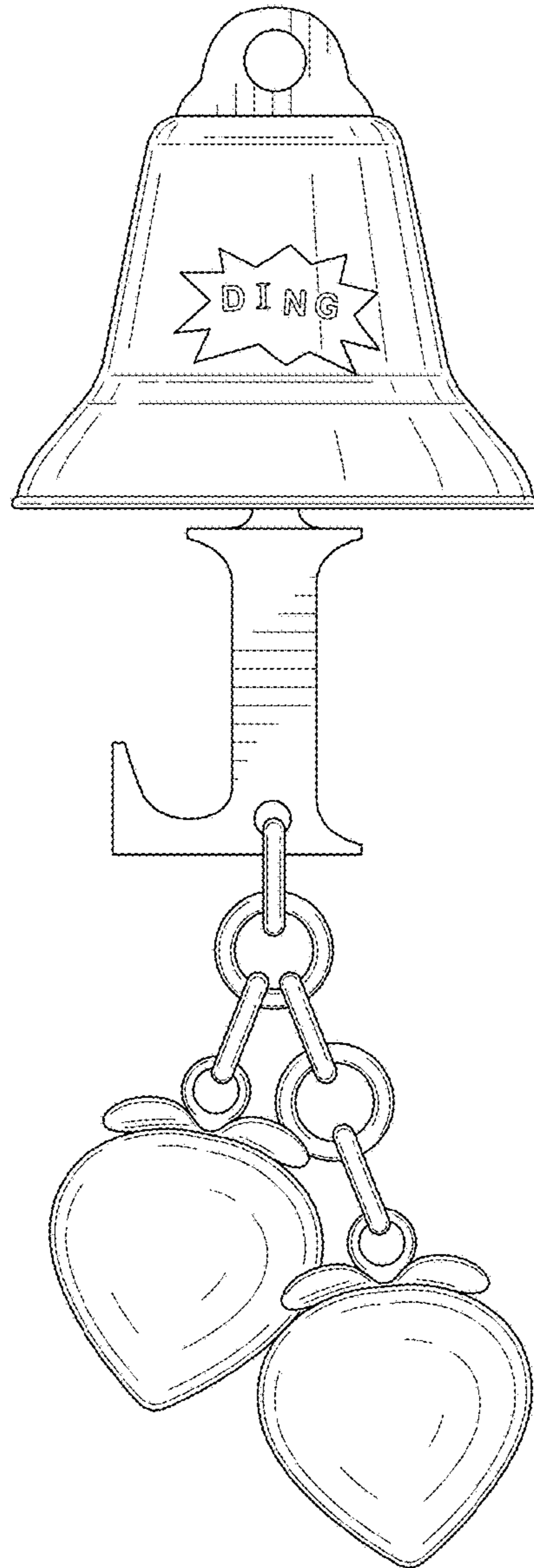


FIG. 3

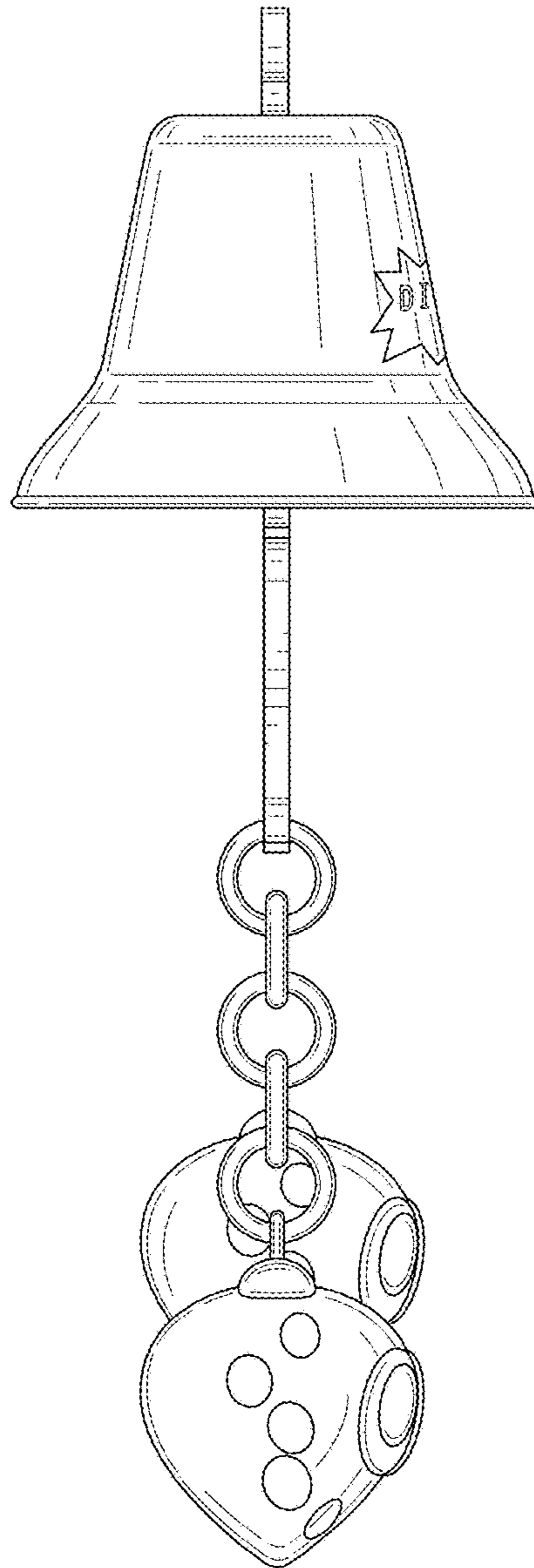


FIG. 4

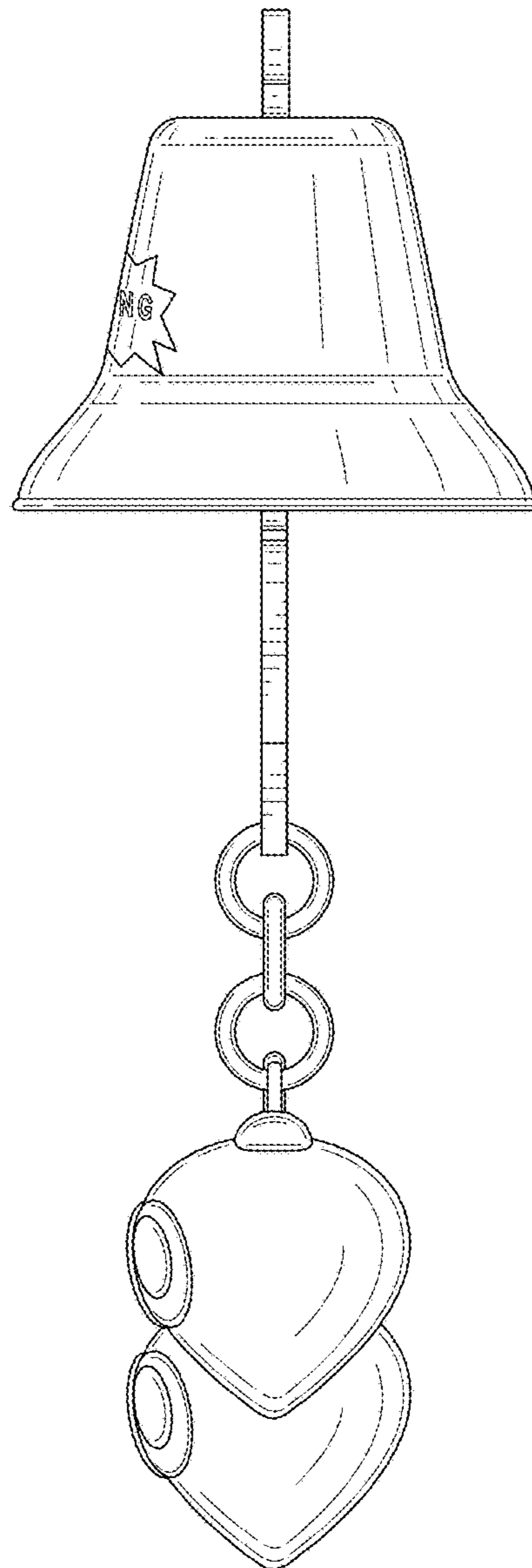


FIG. 5

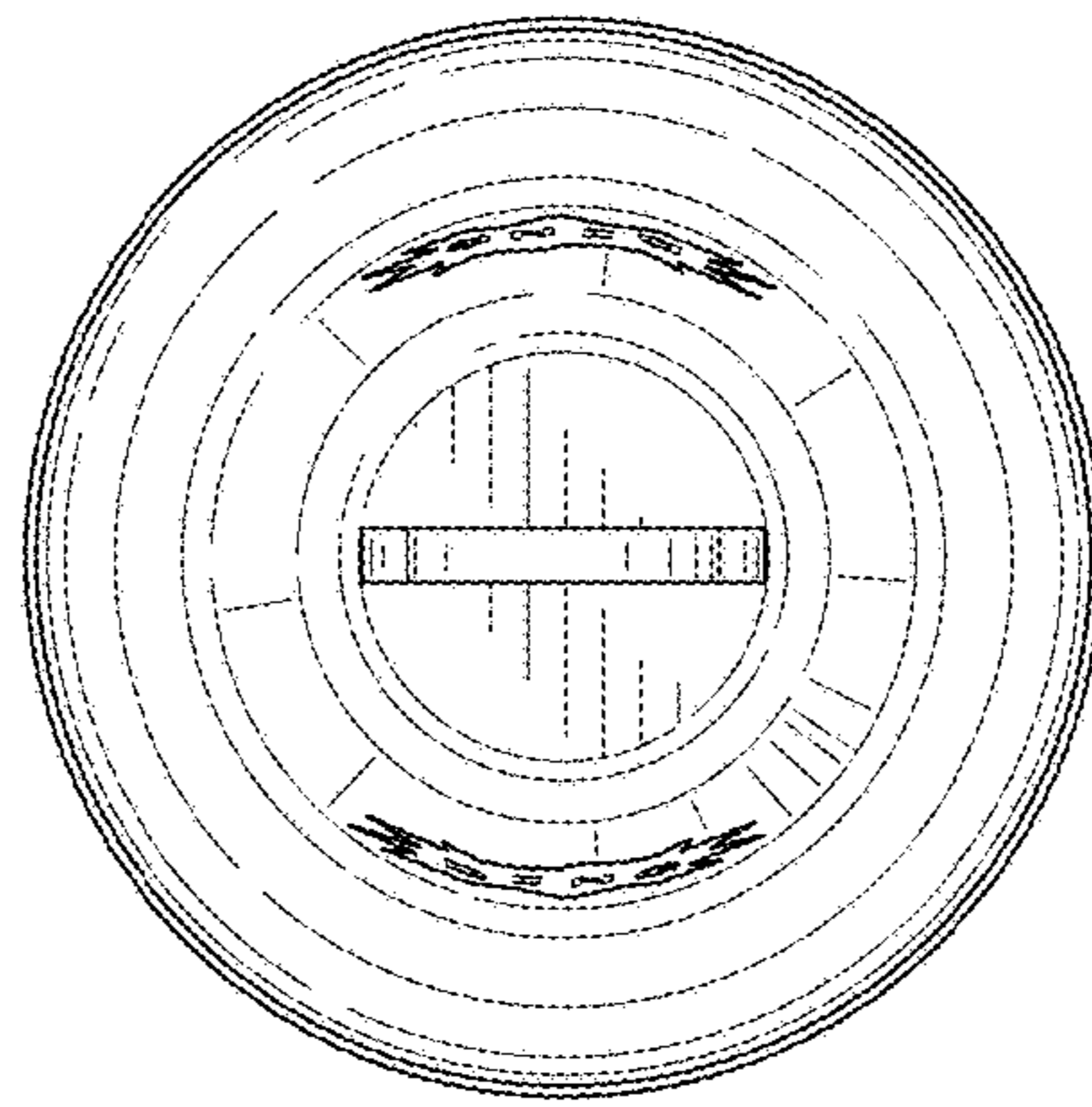


FIG. 6

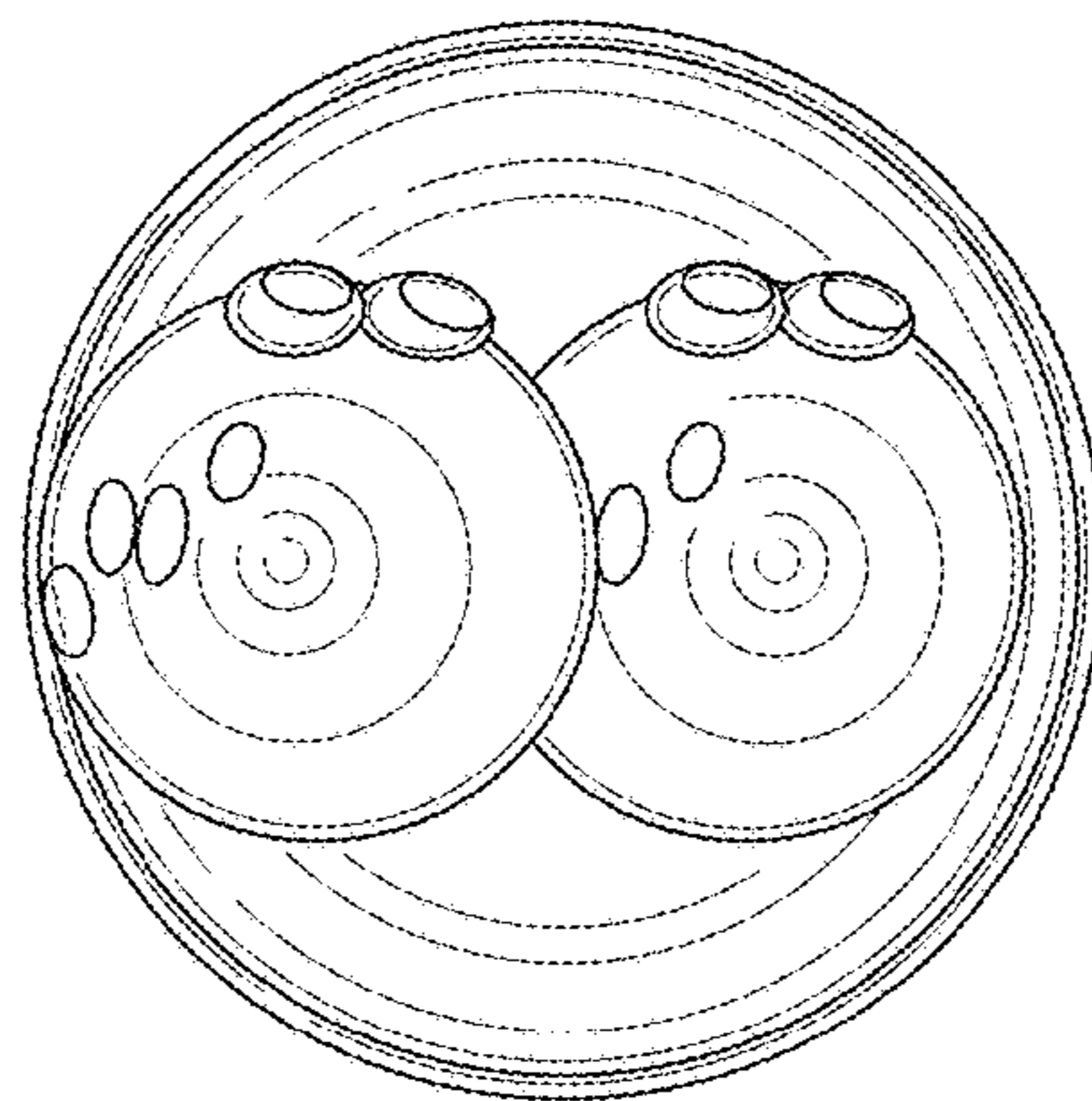


FIG. 7

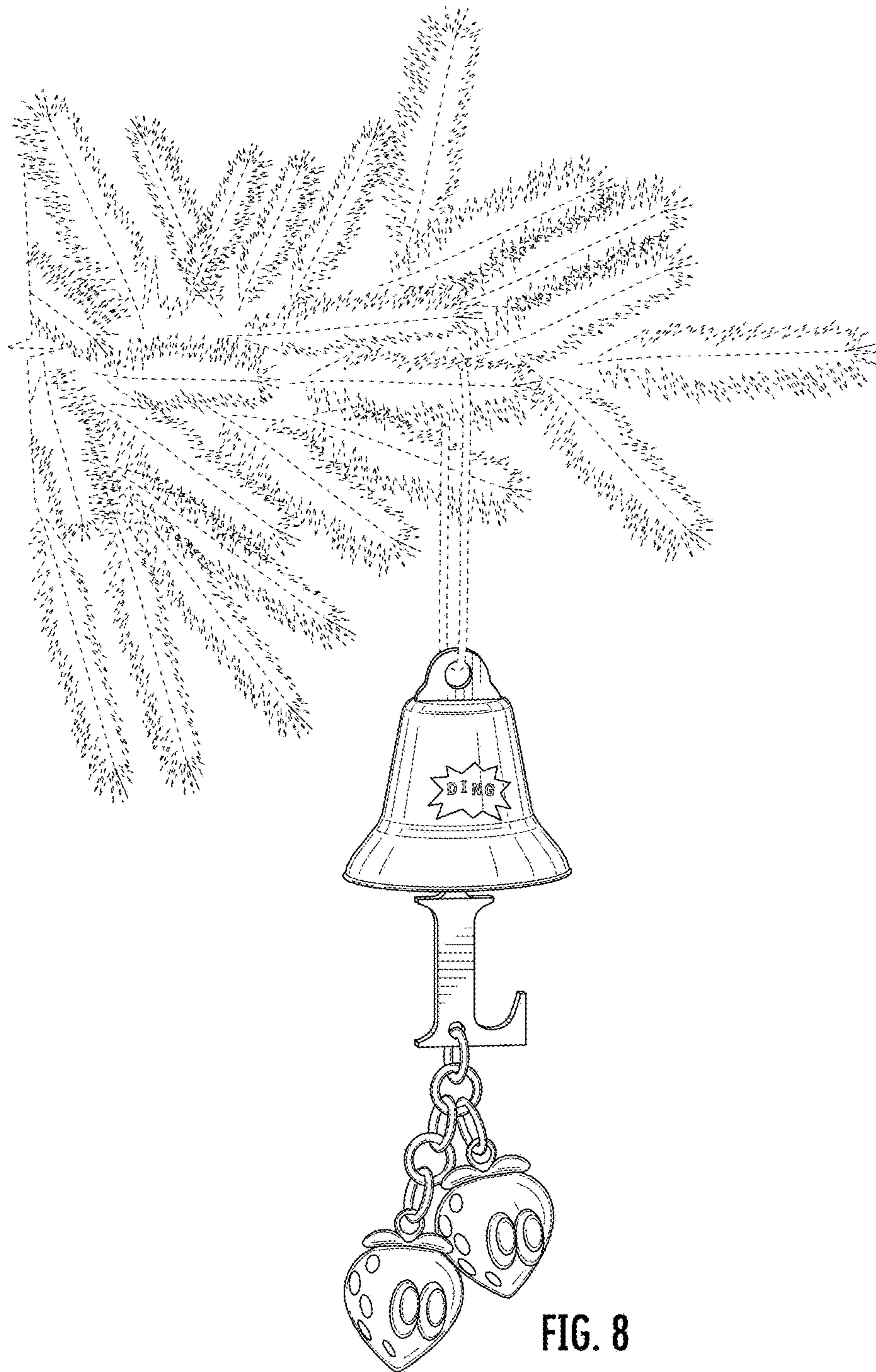


FIG. 8