

US00D860036S

(12) **United States Design Patent**  
**Dholakiya**

(10) **Patent No.:** **US D860,036 S**

(45) **Date of Patent:** **\*\* Sep. 17, 2019**

(54) **PRECIOUS STONE JEWELRY SETTING**

(71) Applicant: **H.K. Designs Inc.**, New York, NY (US)

(72) Inventor: **Hasu Dholakiya**, New York, NY (US)

(73) Assignee: **H.K. DESIGNS INC.**, New York, NY (US)

(\*\*) Term: **15 Years**

(21) Appl. No.: **29/600,165**

(22) Filed: **Apr. 10, 2017**

(51) **LOC (12) Cl.** ..... **11-01**

(52) **U.S. Cl.**  
USPC ..... **D11/91**

(58) **Field of Classification Search**

USPC ..... D11/1-43, 47, 77-80, 85, 86, 89-92  
CPC ..... A44C 1/00; A44C 5/00; A44C 5/0007;  
A44C 5/0015; A44C 5/0023; A44C  
5/003; A44C 5/0084; A44C 5/0092; A44C  
7/00; A44C 7/001; A44C 7/002; A44C  
7/003; A44C 7/004; A44C 7/005; A44C  
17/02; A44C 17/0208; A44C 17/0216;  
A44C 17/0225; A44C 17/0233; A44C  
17/0241; A44C 17/025; A44C 17/04;  
A44C 17/046; A44C 9/00; A44C 9/0038;  
A44C 9/0046; A44C 9/0053; A44C  
9/0061; A44C 9/0069; A44C 9/0084;  
A44C 9/02; A44C 13/00

See application file for complete search history.

(56) **References Cited**

**U.S. PATENT DOCUMENTS**

D254,537 S \* 3/1980 Abelson ..... D11/34  
D308,651 S \* 6/1990 Bulgari ..... D11/42  
D311,356 S \* 10/1990 De Frahan ..... D11/79  
D311,504 S \* 10/1990 De Frahan ..... D11/79  
D497,322 S \* 10/2004 Gruosi-Scheufele ..... D11/79

D538,696 S \* 3/2007 Azrielant ..... D11/34  
D542,694 S \* 5/2007 Schweizer ..... D11/34  
D549,129 S \* 8/2007 Kothari ..... D11/91  
D614,065 S \* 4/2010 Vagal ..... D11/34  
D644,141 S \* 8/2011 George ..... D11/1  
D655,219 S \* 3/2012 Kothari ..... D11/91  
D676,349 S \* 2/2013 Papadimitriou ..... D11/43  
D676,781 S \* 2/2013 Papadimitriou ..... D11/79  
D684,085 S \* 6/2013 Papadimitriou ..... D11/42  
D713,404 S \* 9/2014 Green ..... D14/344  
D716,683 S \* 11/2014 Wolf ..... D11/79  
D725,537 S \* 3/2015 Wellendorff ..... D11/79  
D726,577 S \* 4/2015 Weems ..... D11/86  
D748,006 S \* 1/2016 Vartanian ..... D11/42  
D751,945 S \* 3/2016 Yep ..... D11/92  
D754,024 S \* 4/2016 Yep ..... D11/92  
D761,151 S \* 7/2016 Weems ..... D11/80  
D766,123 S \* 9/2016 Wachtmeister ..... D11/34  
D770,430 S \* 11/2016 Lee ..... D14/240  
D794,491 S \* 8/2017 Shanderson ..... D11/3  
D808,851 S \* 1/2018 Kwon ..... D11/40  
D831,530 S \* 10/2018 Dholakiya ..... D11/91

(Continued)

*Primary Examiner* — Cynthia Ramirez

*Assistant Examiner* — L. Martinez

(74) *Attorney, Agent, or Firm* — Ostrolenk Faber LLP

(57) **CLAIM**

The ornamental design for a precious stone jewelry setting, as shown and described.

**DESCRIPTION**

FIG. 1 is a perspective view of a precious stone jewelry setting showing my new design.

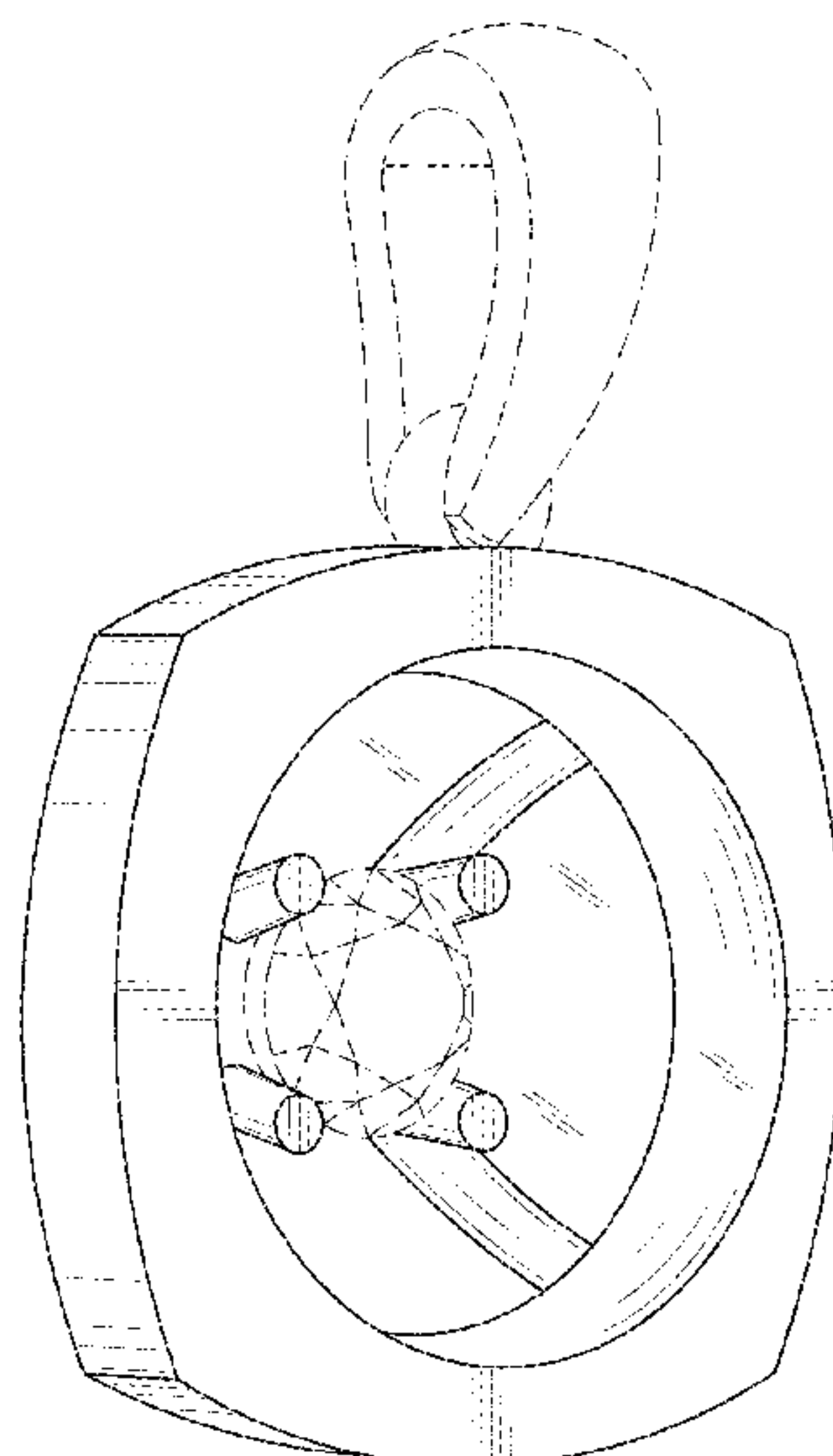
FIG. 2 is a front view of FIG. 1.

FIG. 3 is a right side view of FIG. 1, the left side being symmetrical; and,

FIG. 4 is a rear view of FIG. 1.

The broken lines shown in the drawings illustrate environmental structure that forms no part of the claimed design.

**1 Claim, 4 Drawing Sheets**



(56)

**References Cited**

U.S. PATENT DOCUMENTS

2012/0151963 A1\* 6/2012 Dobashi ..... A44C 17/0258  
63/26  
2018/0307050 A1\* 10/2018 Dholakiya ..... A44C 5/00

\* cited by examiner

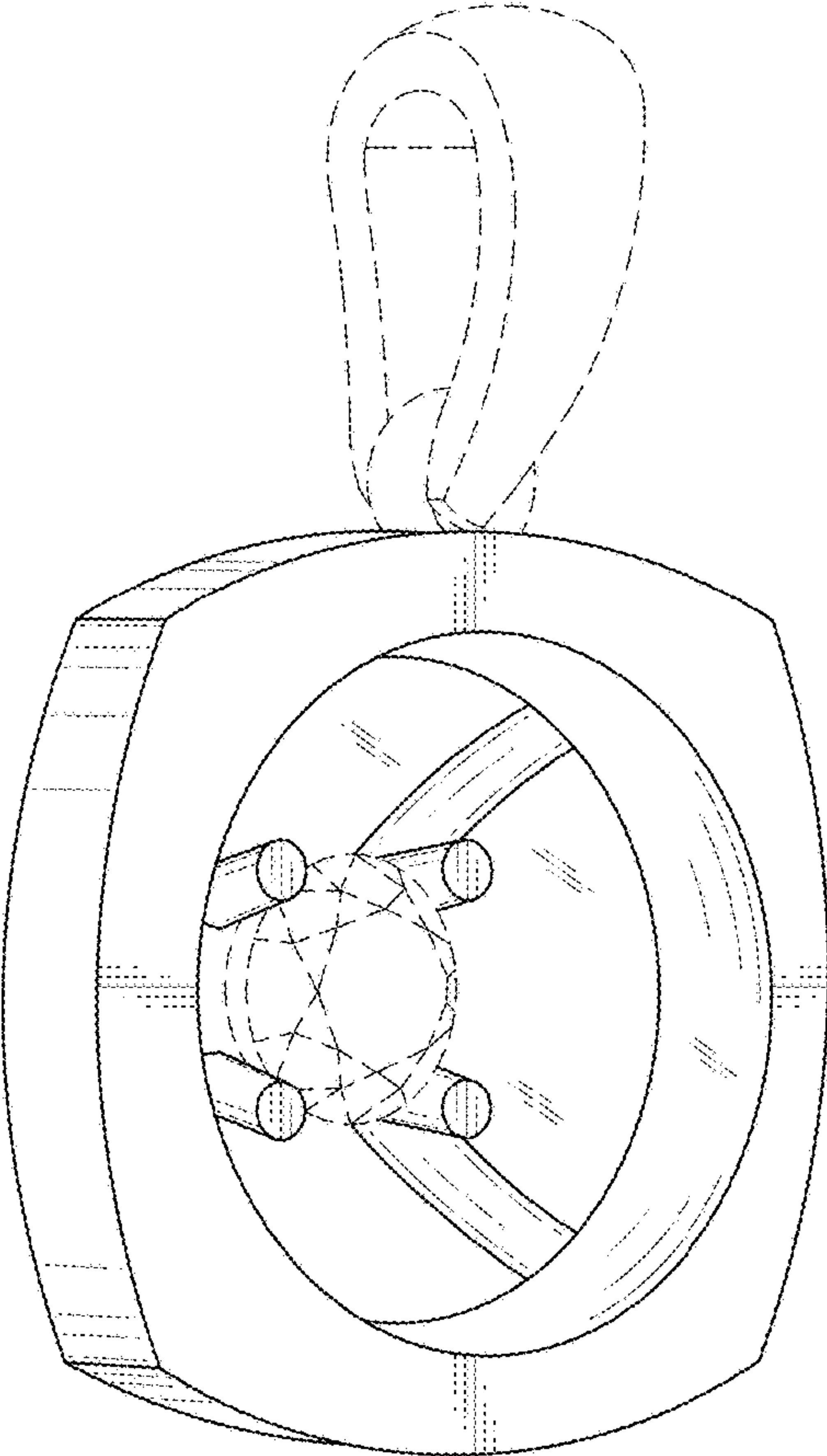


FIG. 1

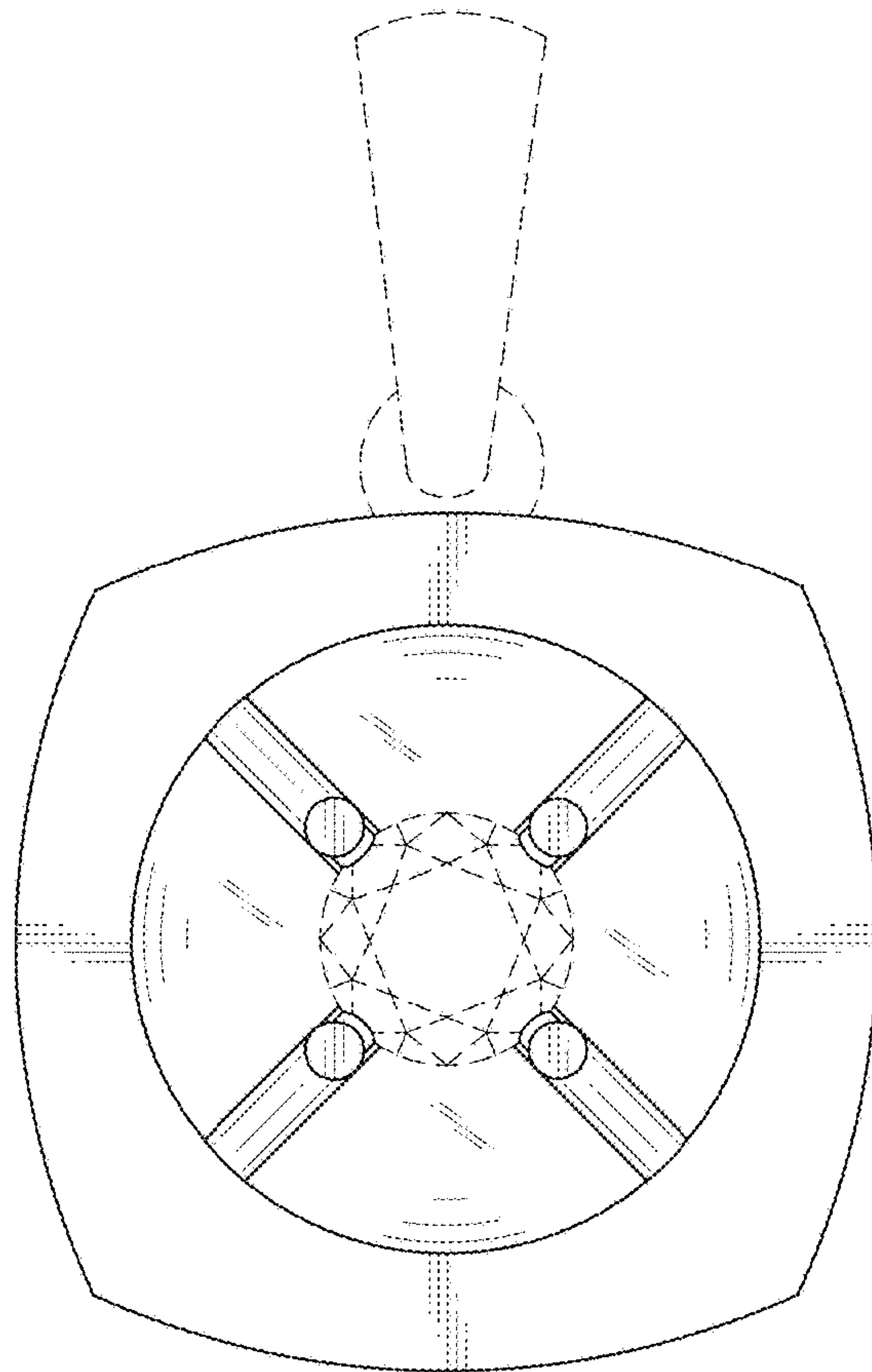


FIG. 2

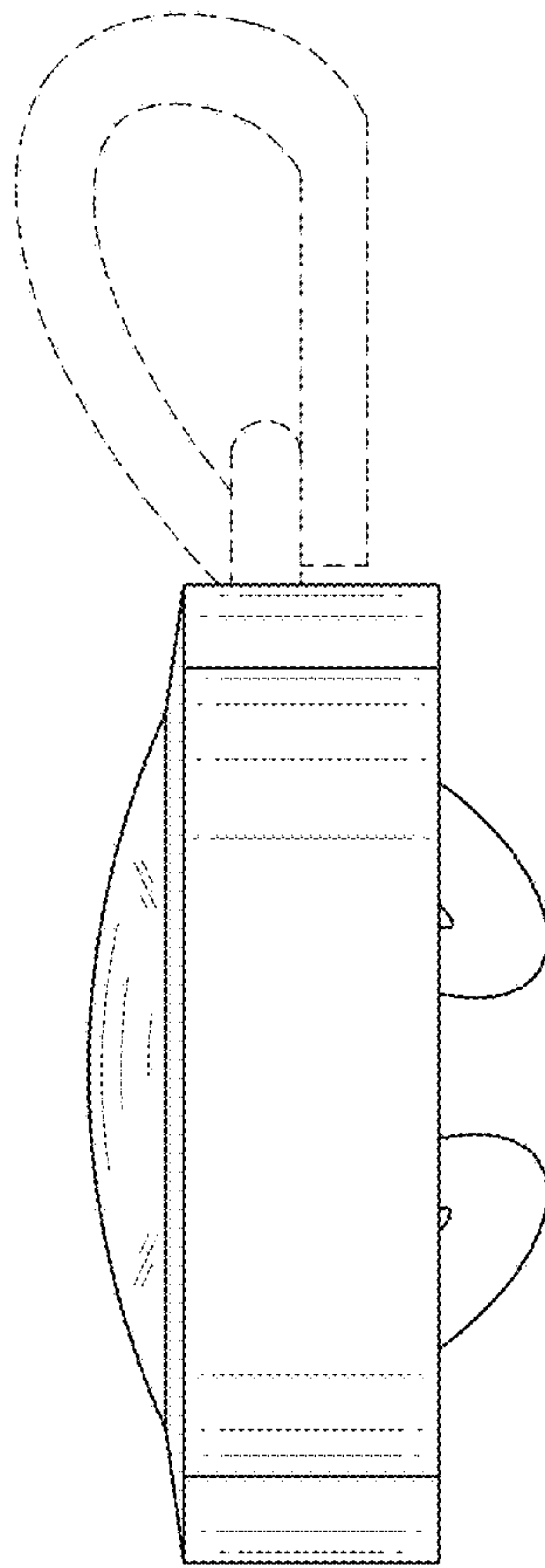


FIG. 3

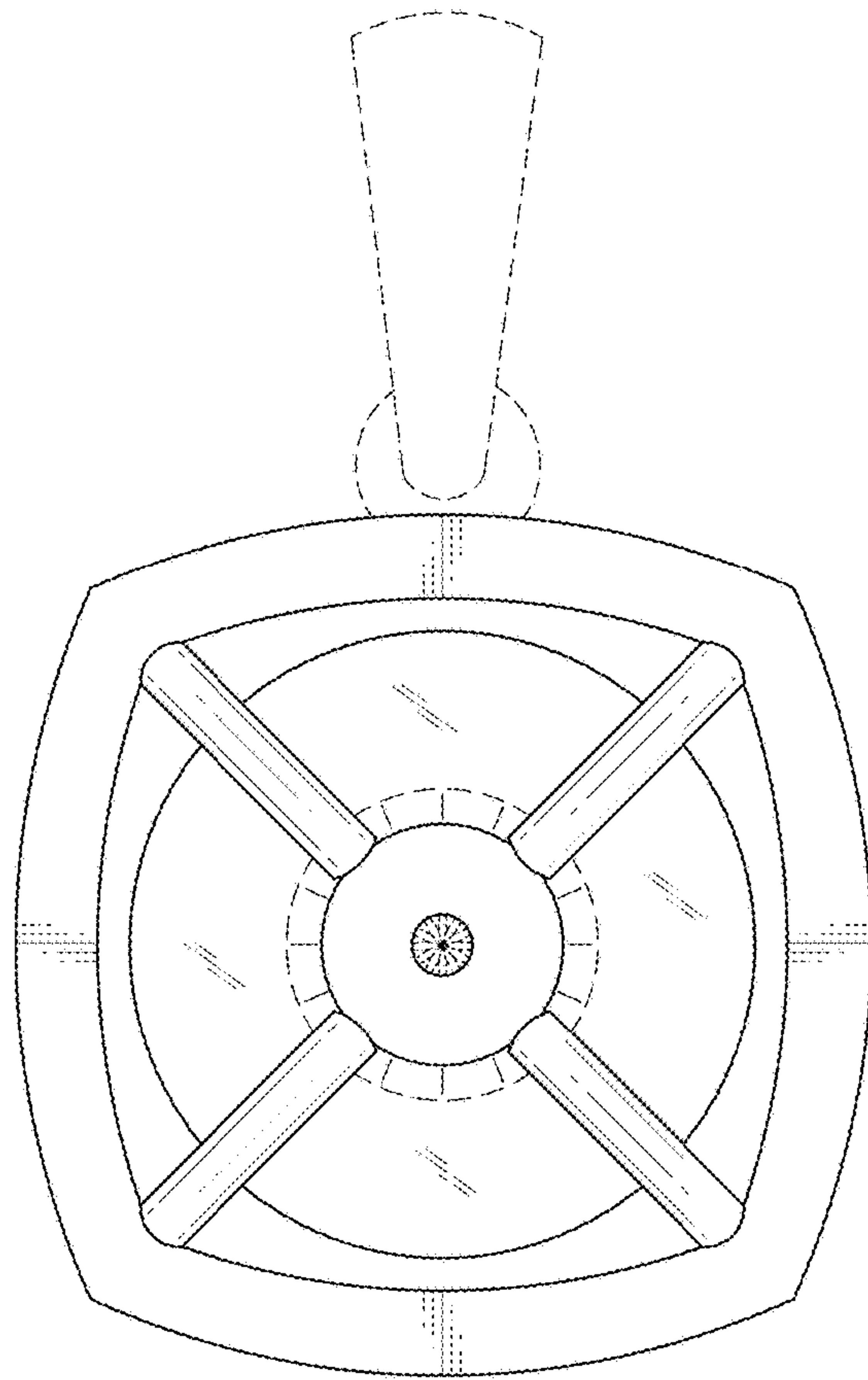


FIG. 4