



US00D860031S

(12) **United States Design Patent** (10) **Patent No.:** **US D860,031 S**  
**Muller** (45) **Date of Patent:** **\*\* Sep. 17, 2019**

(54) **WATCH DIAL** D214,806 S \* 7/1969 Gracey ..... 368/15  
D244,672 S \* 6/1977 Molyneux ..... D10/126  
(71) Applicant: **Montblanc-Simplo GmbH**, Hamburg D251,414 S \* 3/1979 Rosenthal ..... D10/10  
(DE) 4,579,460 A \* 4/1986 Shannon ..... G04B 19/223  
(72) Inventor: **Caroline Muller**, Neuchatel (CH) 5,054,008 A \* 10/1991 Darling ..... G04B 19/223  
(73) Assignee: **Montblanc-Simplo GmbH**, Hamburg 368/21  
(DE) 5,237,544 A \* 8/1993 Sase ..... G04G 9/0076  
D357,421 S \* 4/1995 Tsukada ..... D10/10  
(Continued)

(\*\*) Term: **15 Years**

(21) Appl. No.: **29/622,404**

(22) Filed: **Oct. 17, 2017**

(51) **LOC (12) Cl.** ..... **10-07**

(52) **U.S. Cl.**  
USPC ..... **D10/126**

(58) **Field of Classification Search**  
USPC ..... D10/1-2, 10, 30-33, 36-39, 98-99,  
D10/122-124, 126-128, 132; D11/3;  
D14/344; D24/167, 186  
CPC ..... G04C 19/00; G04C 19/02; G04B 19/00;  
G04B 19/025; G04B 19/08; G04B  
19/048; G04B 19/04; G04B 19/046;  
G04B 19/06; G04B 19/065; G04B  
19/082; G04B 19/085; G04B 19/087;  
G04B 19/10; G04B 19/103; G04B  
19/106; G04B 47/042; G04B 19/12;  
G04B 19/18; G04B 19/223; G04B 19/23;  
G04B 19/24; G04B 19/241; G04B  
19/243; G04D 3/04

See application file for complete search history.

(56) **References Cited**

**U.S. PATENT DOCUMENTS**

1,153,492 A \* 9/1915 Hoitinga ..... G04B 19/241  
368/16  
1,378,085 A \* 5/1921 Balch ..... G04B 19/221  
368/27  
D163,256 S \* 5/1951 Clarke ..... D10/10  
2,615,298 A \* 10/1952 Ferrari ..... G04B 19/223  
368/27

**OTHER PUBLICATIONS**

Montblanc Heritage Dual Time VASco Da Gama I posted at  
deplayant.com Oct. 2015 © 2018 Deployant PTE Ltd [online][site  
visited Sep. 13, 2018]. Available from internet: <<https://deplayant.com/hands-on-with-the-montblanc-heritage-chronometrie-dual-time-vasco-da-gama-limited-edition-238/>> (Year: 2015).\*

(Continued)

*Primary Examiner* — Sandra S Snapp  
*Assistant Examiner* — Katherine Glennon  
(74) *Attorney, Agent, or Firm* — Taft Stettinius &  
Hollister LLP

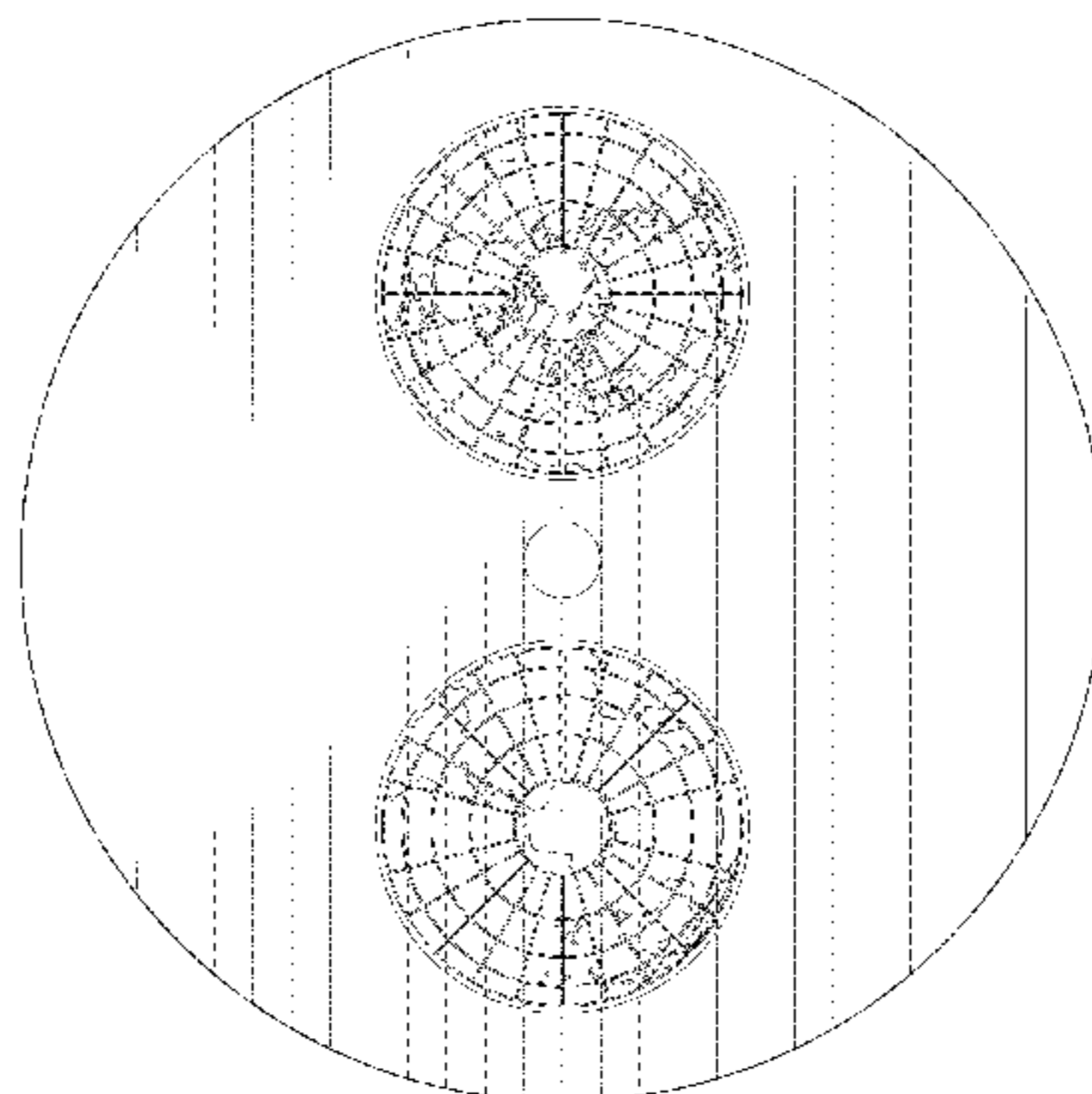
(57) **CLAIM**

The ornamental design for a watch dial, as shown and  
described.

**DESCRIPTION**

FIG. 1 is a front elevational view of a watch dial showing my  
new design;  
FIG. 2 is a back elevational view thereof;  
FIG. 3 is a bottom plan view thereof;  
FIG. 4 is a top plan view thereof;  
FIG. 5 is a right side elevational view thereof;  
FIG. 6 is a left side elevational view thereof;  
FIG. 7 is a front, right side perspective view thereof; and,  
FIG. 8 is a back, left side perspective view thereof.

**1 Claim, 8 Drawing Sheets**



(56)

**References Cited**

## U.S. PATENT DOCUMENTS

5,508,979 A \* 4/1996 Eisenegger ..... G04B 19/26  
368/15  
5,917,778 A \* 6/1999 James ..... G04B 19/22  
368/17  
D628,506 S \* 12/2010 Plange ..... D10/124  
D659,044 S \* 5/2012 Kauffmann ..... D10/126  
D705,670 S \* 5/2014 Emmenegger ..... D10/32  
D761,680 S \* 7/2016 Plange ..... D10/126  
D795,118 S \* 8/2017 Monachon ..... D10/126

## OTHER PUBLICATIONS

Montblanc TimeWalker Chronograph | posted at timeandtidewatches.com Mar. 2017 © 2018 Time and Watches [online][site visited Sep. 13, 2018]. Available from internet: <<https://www.timeandwatches.com/2017/03/montblanc-timewalker-chronograph.html>> (Year: 2017).\*

Montblanc 1858 Collection | posted at cronotempvscollectors.com Jan. 2018 [online][site visited Sep. 12, 2018]. Available from internet: <<https://cronotempvscollectors.com/2018/01/19/the-montblanc-1858-collection-capturing-the-spirit-of-mountain-exploration/>> (Year: 2018).\*

\* cited by examiner

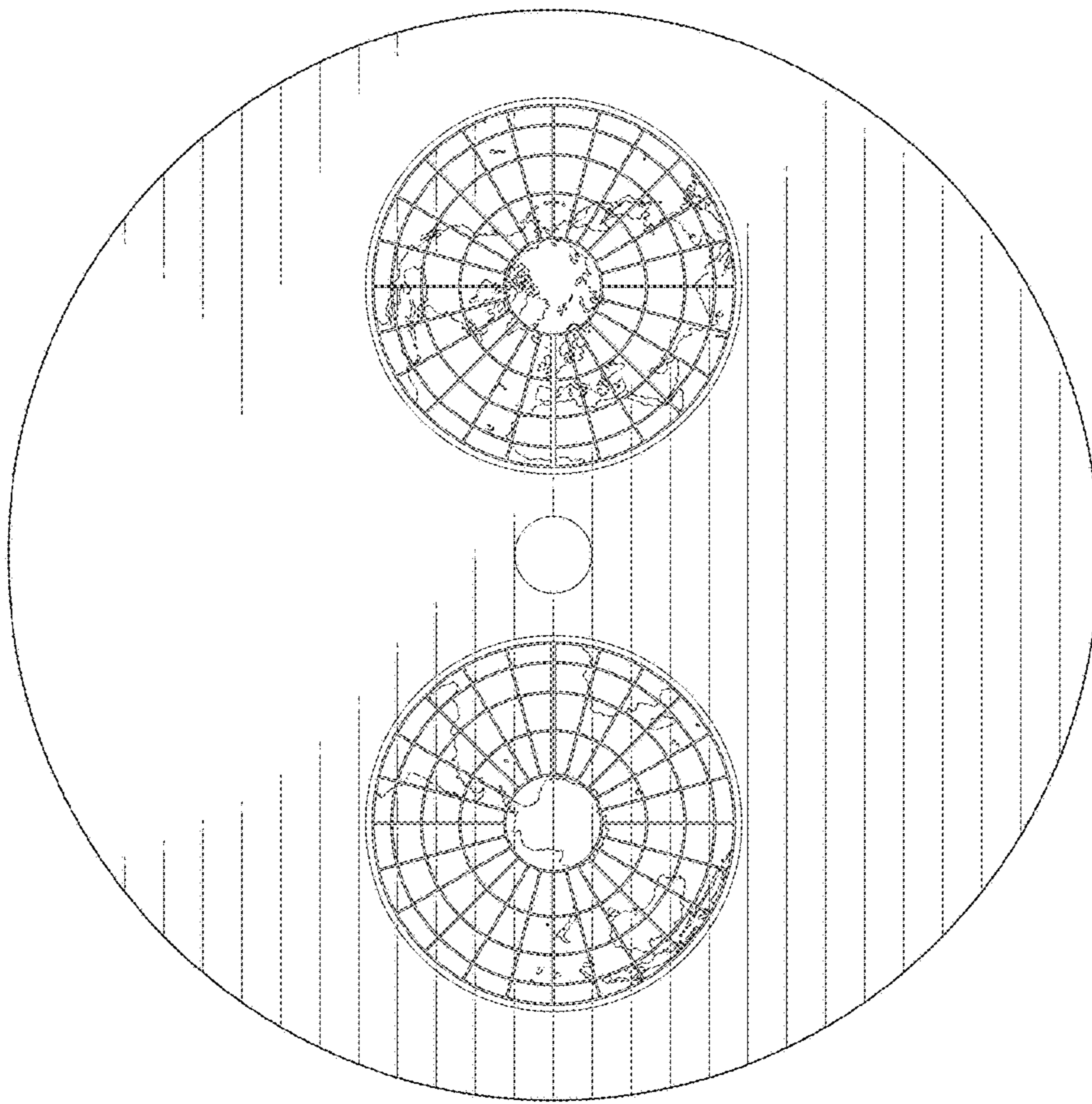


Fig. 1

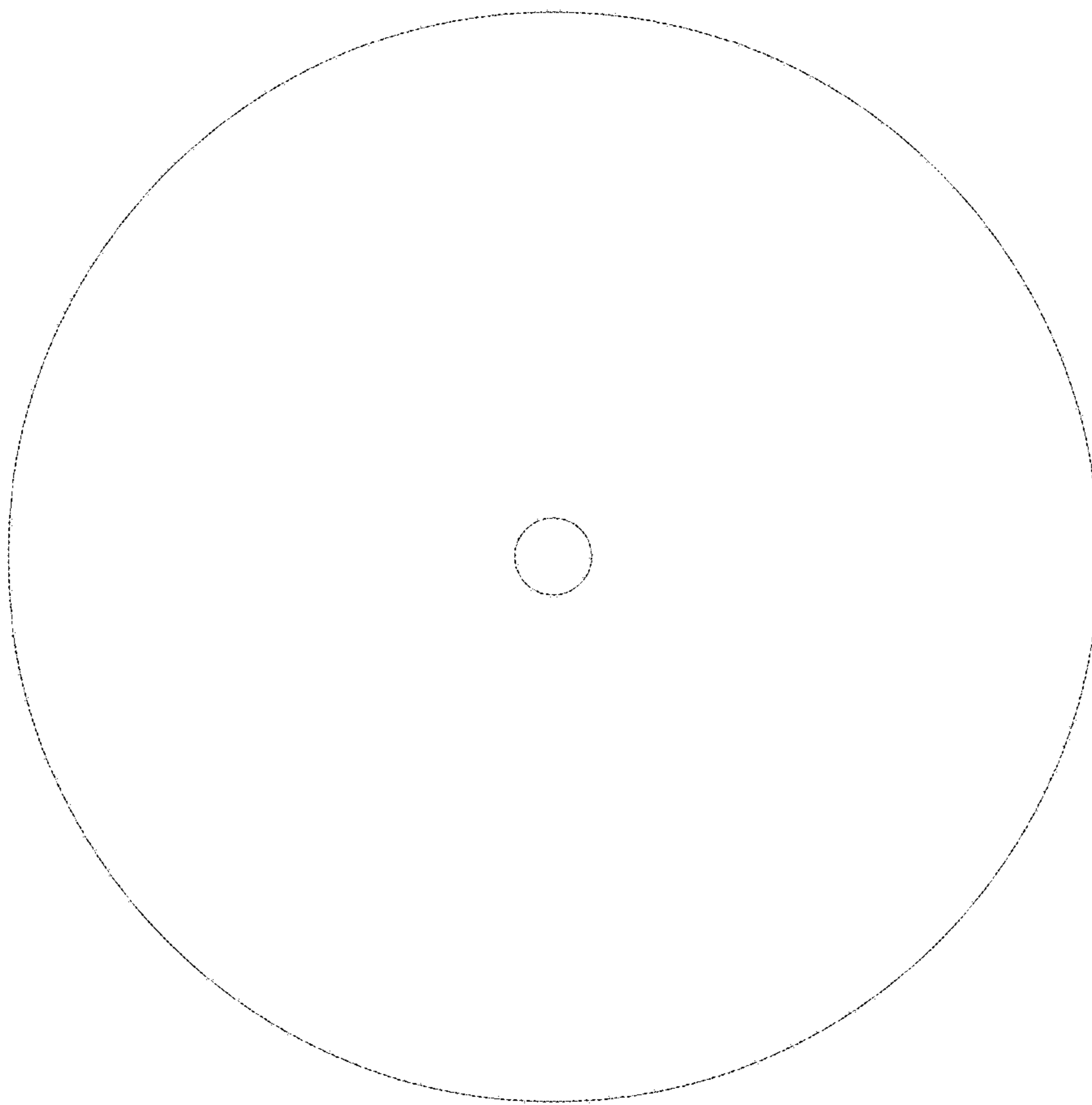


Fig. 2

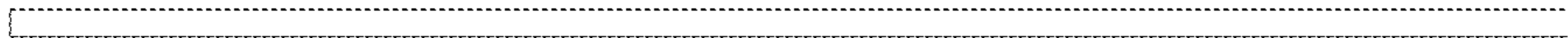


Fig. 3



Fig. 4



Fig. 5



Fig. 6



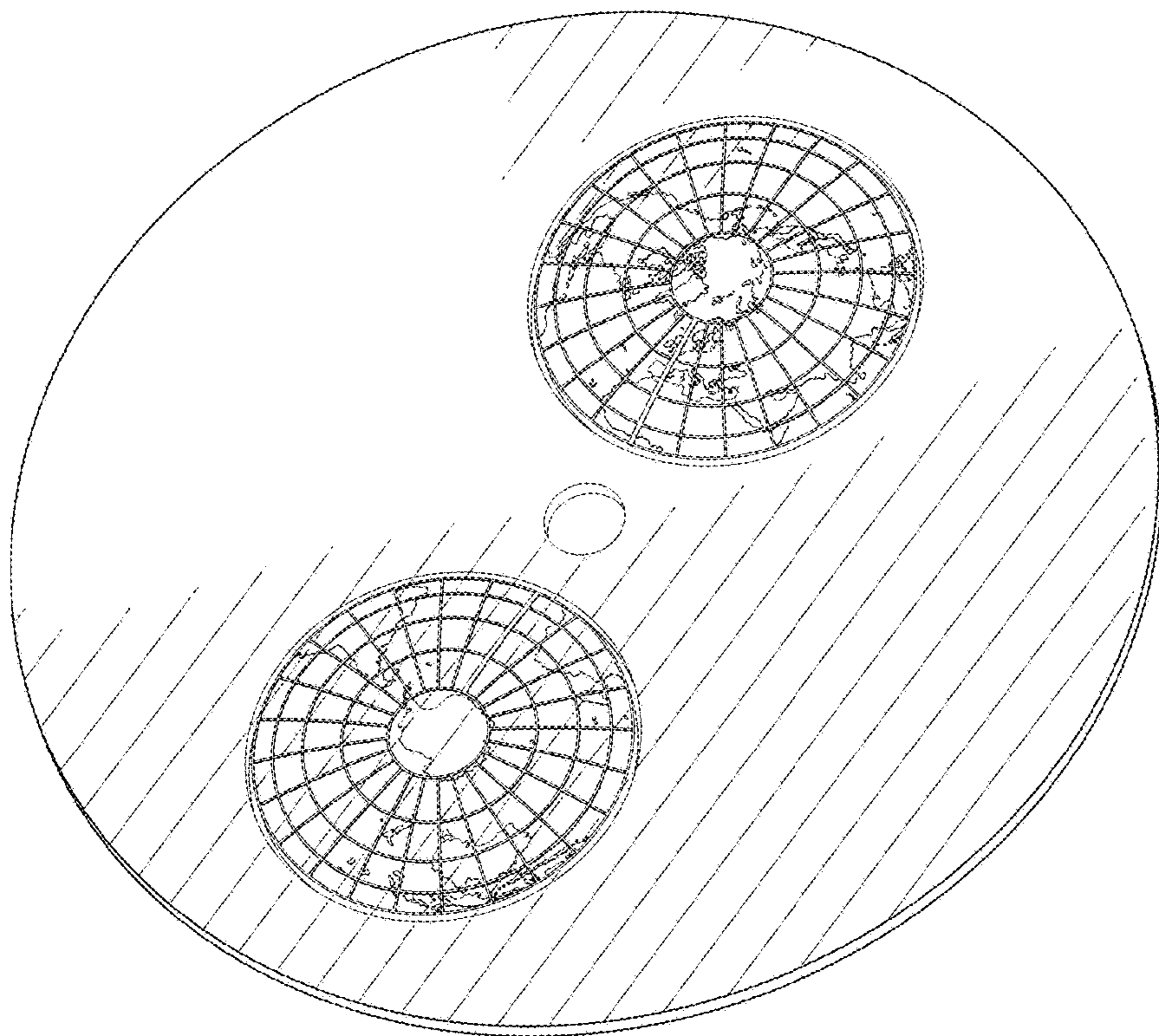


Fig. 7

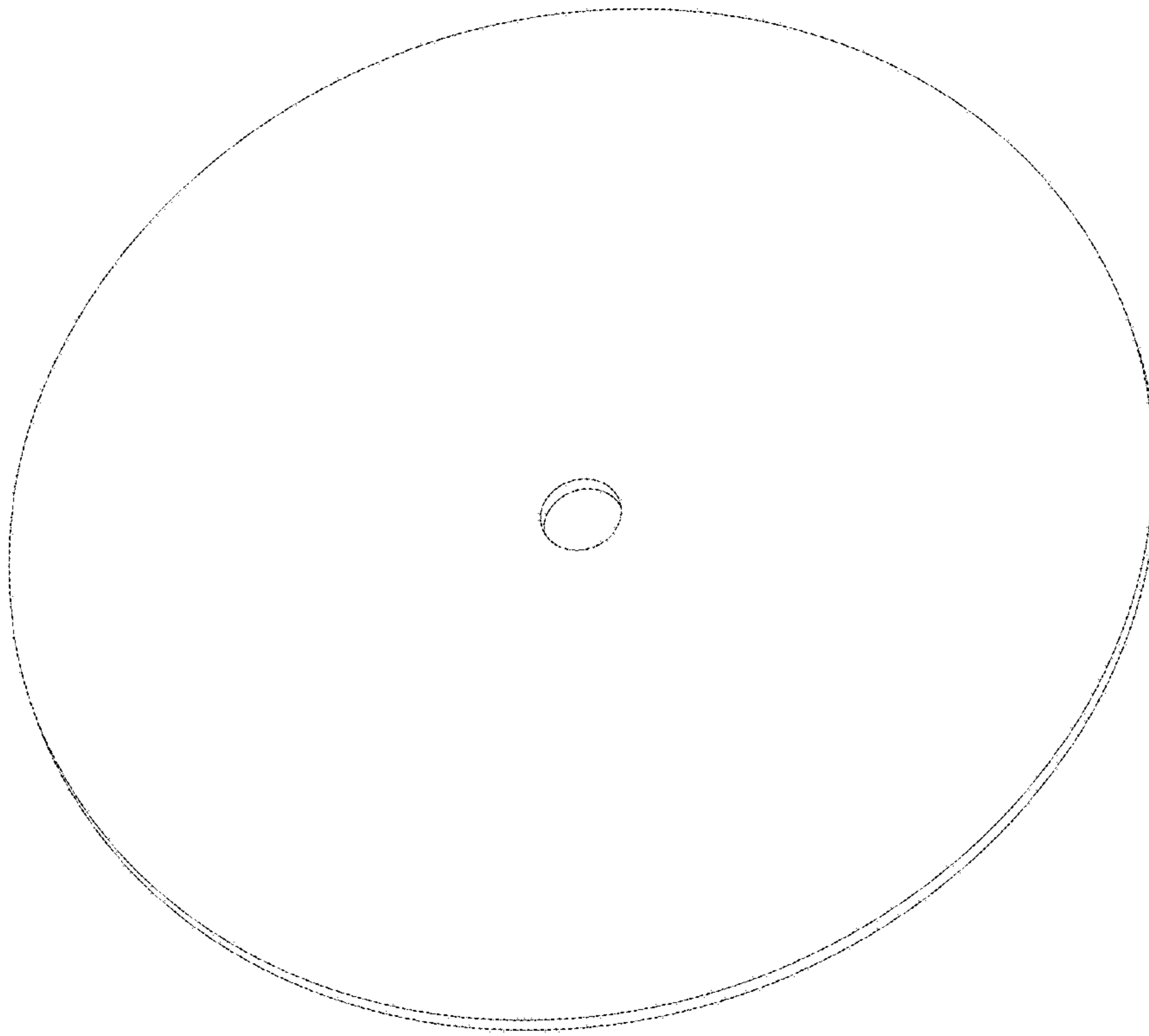


Fig. 8