



US00D860026S

(12) **United States Design Patent** (10) **Patent No.:** **US D860,026 S**
Siminoff et al. (45) **Date of Patent:** **** Sep. 17, 2019**

(54) **SMOKE AND CARBON MONOXIDE SENSOR**

FOREIGN PATENT DOCUMENTS

(71) Applicant: **Ring Inc.**, Santa Monica, CA (US)
(72) Inventors: **Mark Siminoff**, Mountain View, CA (US); **Timothy G. Wellener**, Phoenixville, PA (US); **Vinay Sao**, Malvern, PA (US); **Peter Gerstberger**, Laguna Niguel, CA (US); **Andrew L. Russell**, Philadelphia, PA (US); **Christopher Loew**, Palo Alto, CA (US)

CN 304825179 * 9/2018
JP D1619507 * 12/2018
KR 300989843.0000 * 1/2019

OTHER PUBLICATIONS

Available Jan. 23, 2019, [online], [site visited Jan. 23, 2019]. Available from Internet, <URL:https://shop.ring.com/products/alarm-smoke-co-listener?variant=2047594004511> (Year: 2019).*

(Continued)

(73) Assignee: **Amazon Technologies, Inc.**, Seattle, WA (US)

Primary Examiner — Cathron C Brooks

Assistant Examiner — Katrina N Gonzalez

(**) Term: **15 Years**

(74) *Attorney, Agent, or Firm* — Lathrop Gage LLP

(21) Appl. No.: **29/623,306**

(57) **CLAIM**

The ornamental design for a smoke and carbon monoxide sensor, as shown and described.

(22) Filed: **Oct. 24, 2017**

(51) **LOC (12) Cl.** **10-05**

(52) **U.S. Cl.**
USPC **D10/106.3**

DESCRIPTION

(58) **Field of Classification Search**
USPC D10/49, 50, 51, 52, 104.1, 104.2, 105, D10/106.1, 106.2, 106.3, 106.4, 106.5, D10/106.6, 106.7, 106.8, 106.9, 107, 108, D10/109.1, 109.2, 110, 111, 112, 113.1, D10/113.2, 113.3, 113.4, 114.2, 114.3, D10/114.4, 114.5, 114.8, 114.9, 116.1, D10/120, 121, 122, 123, 124, 126, 46.1; D21/405, 722, 812, 396, 385; D23/213, D23/250; D28/82; D19/95, 96, 100;
(Continued)

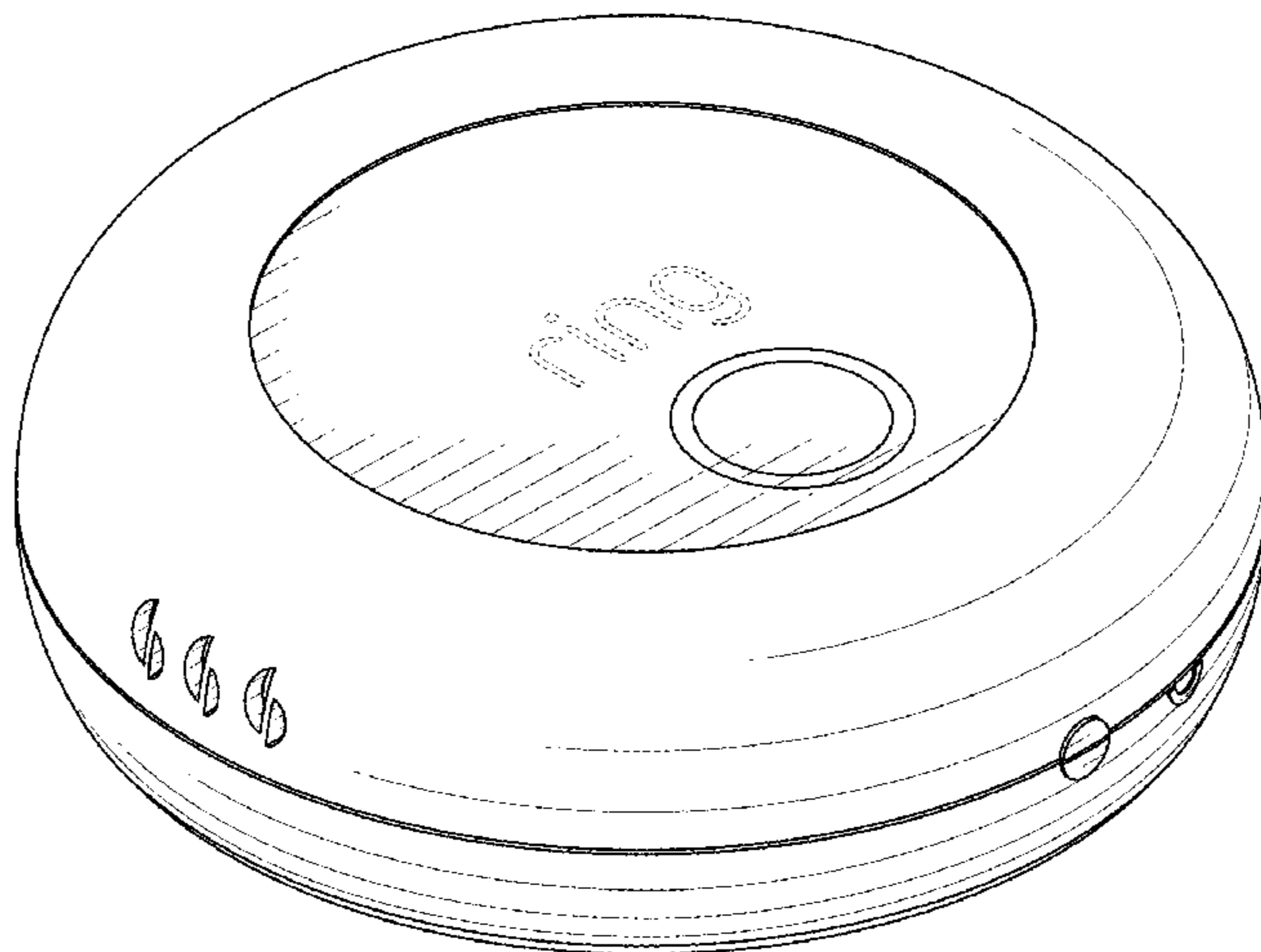
FIG. 1 is a front perspective view of the smoke and carbon monoxide sensor according to the present design;
FIG. 2 is a front elevational view of the smoke and carbon monoxide sensor of FIG. 1;
FIG. 3 is a rear elevational view of the smoke and carbon monoxide sensor of FIG. 1;
FIG. 4 is a right-side elevational view of the smoke and carbon monoxide sensor of FIG. 1;
FIG. 5 is a left-side elevational view of the smoke and carbon monoxide sensor of FIG. 1;
FIG. 6 is a top plan view of the smoke and carbon monoxide sensor of FIG. 1; and,
FIG. 7 is a bottom plan view of the smoke and carbon monoxide sensor of FIG. 1.
In the drawings, the broken lines illustrate portions of the smoke and carbon monoxide sensor that form no part of the claimed design.

(56) **References Cited**

U.S. PATENT DOCUMENTS

D266,934 S * 11/1982 King D19/75
D272,751 S * 2/1984 Brackmann D21/443
(Continued)

1 Claim, 3 Drawing Sheets



(58) **Field of Classification Search**

USPC 340/539.12, 392.1, 384.7, 326, 539.14;
473/505, 510, 514

CPC H01H 13/00; H01H 13/023; H01H 13/14;
H01H 13/56

See application file for complete search history.

(56) **References Cited**

U.S. PATENT DOCUMENTS

D282,380 S * 1/1986 King D19/75
D346,413 S * 4/1994 Hellerman D21/443
D364,108 S * 11/1995 DeWitt D10/106.5
D504,157 S * 4/2005 Huang D19/75
D596,815 S * 7/2009 Baek D32/21
D633,231 S * 2/2011 Morrison D26/24
D633,644 S * 3/2011 Sprengers D26/89
D680,015 S * 4/2013 Hauser D10/106.9
D685,527 S * 7/2013 Eberlein D28/82
D697,800 S * 1/2014 Villarreal D28/82
D700,075 S * 2/2014 Bould D10/49
D739,942 S * 9/2015 Pernu D24/167
D756,828 S * 5/2016 Wettre D10/106.5
D764,320 S * 8/2016 Li D10/50
D773,332 S * 12/2016 Kalyan D10/106.5

D779,977 S * 2/2017 Jacob D10/50
D796,355 S * 9/2017 Cho D10/70
D798,490 S * 9/2017 Haines D26/104
D809,951 S * 2/2018 Yang D10/104.1
D820,123 S * 6/2018 Chou D10/70
D820,238 S * 6/2018 Boshernitzan D14/218
D830,555 S * 10/2018 Lin D24/167
D830,870 S * 10/2018 Shepher D10/116.1
D831,189 S * 10/2018 Fang D24/107
2018/0174777 A1 * 6/2018 Clementson H01H 13/023

OTHER PUBLICATIONS

Available Jan. 12, 2019, [online], [site visited Jan. 23, 2019].
Available from Internet, <URL:https://www.amazon.com/Ring-Alarm-Smoke-CO-Listener/dp/B07M93Z1NT/ref=sr_1_3?ie=UTF8&qid=1548273918&sr=8-3&keywords=alarm+smoke+%26+co+listener> (Year: 2019).*

Available Feb. 12, 2018, [online], [site visited Jan. 23, 2019].
Available from Internet, <URL:https://www.amazon.com/The-HomeAware-Fire-CO-Alert/dp/B079RP9N8M/ref=sr_1_4?ie=UTF8&qid=1548273918&sr=8-4&keywords=alarm+smoke+%26+co+listener> (Year: 2019).*

* cited by examiner

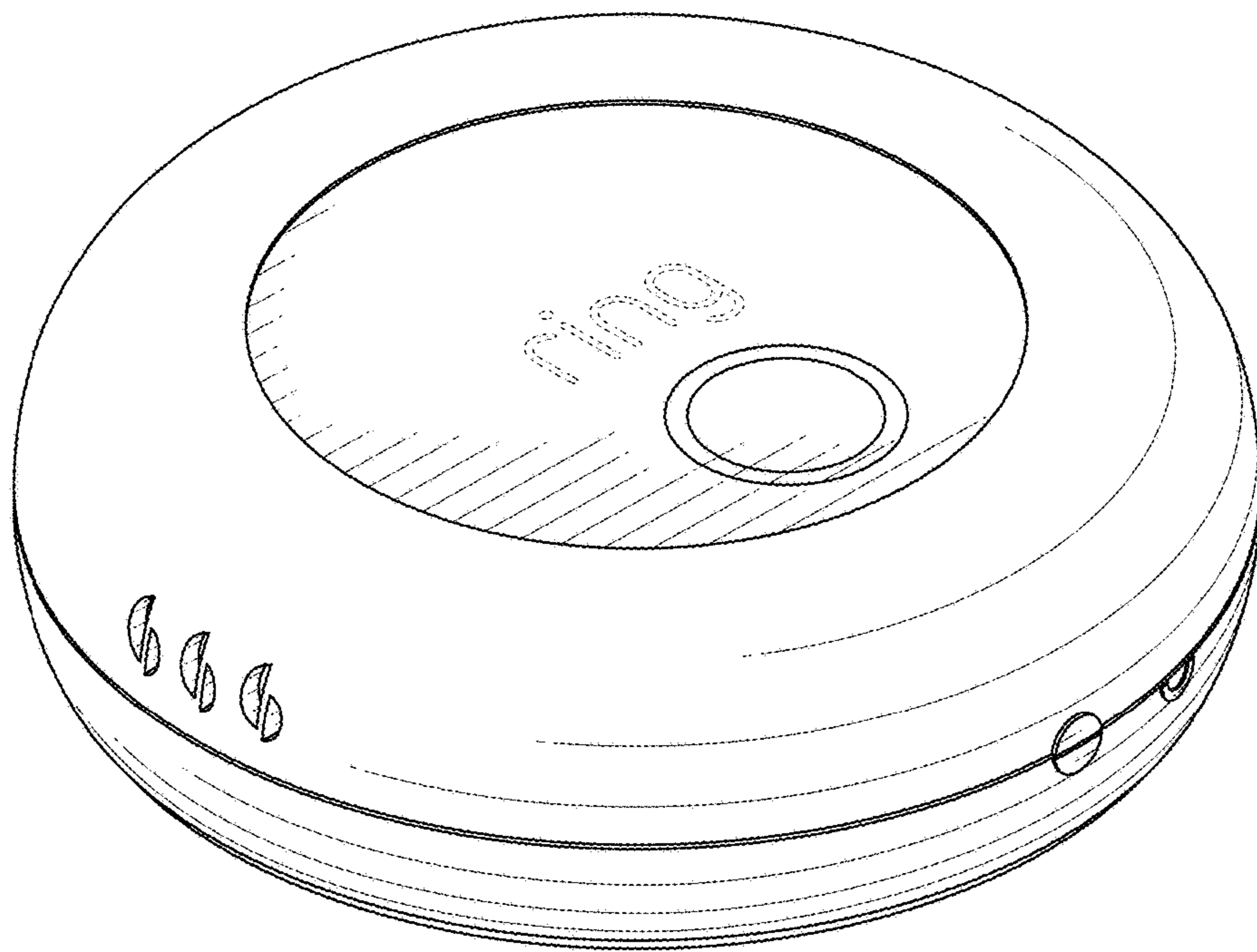


FIG. 1

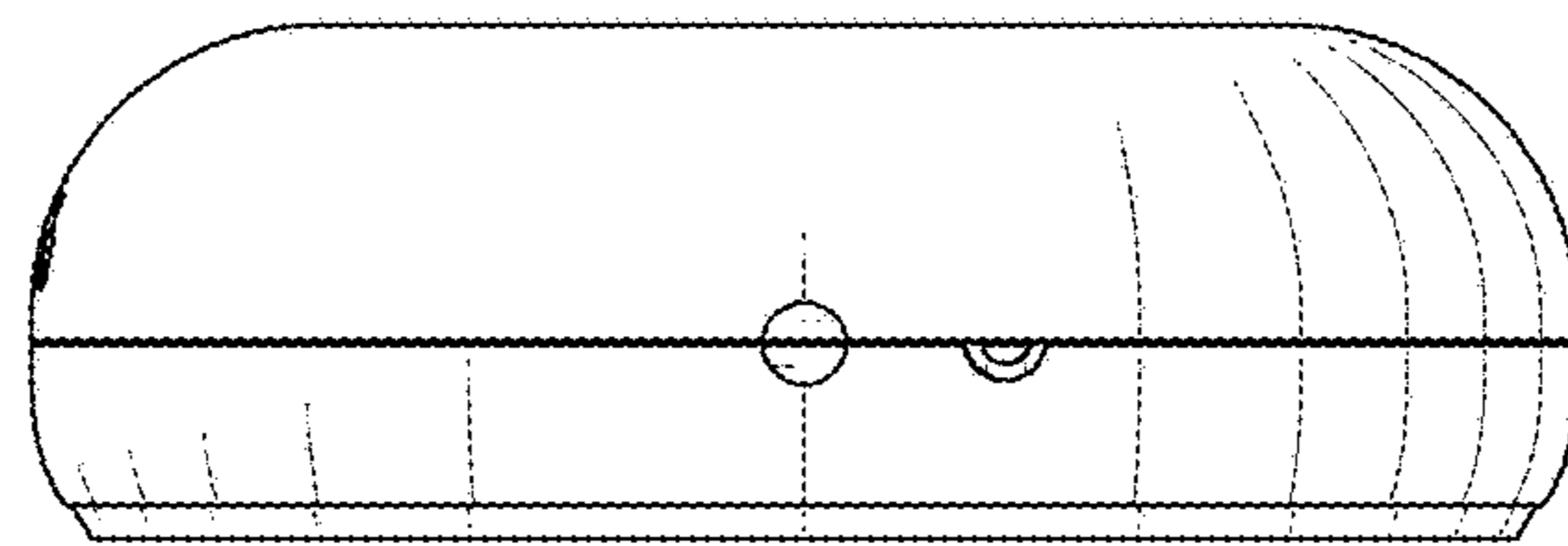


FIG. 2

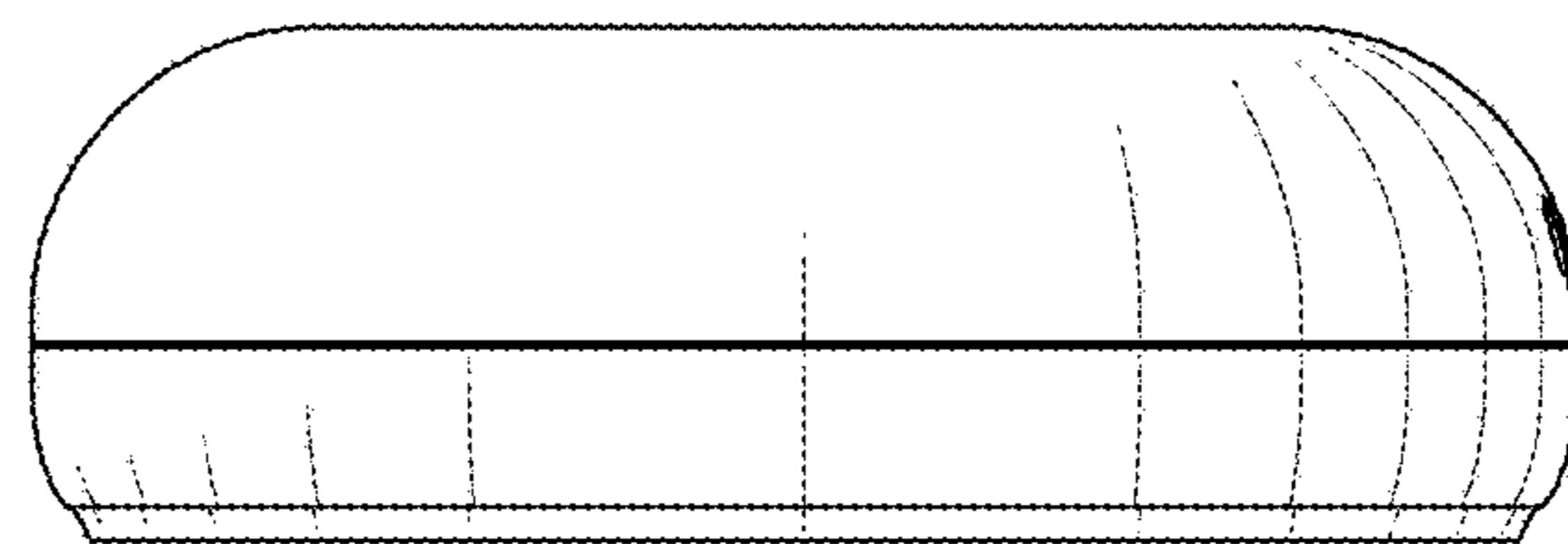


FIG. 3

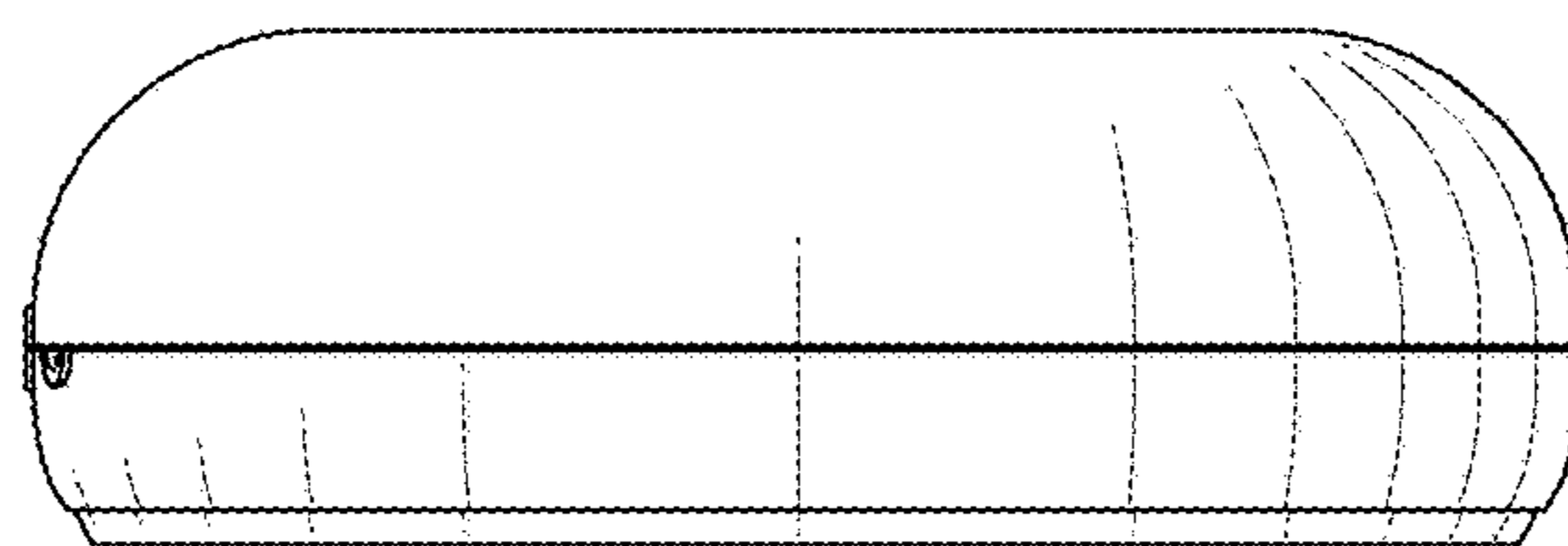


FIG. 4

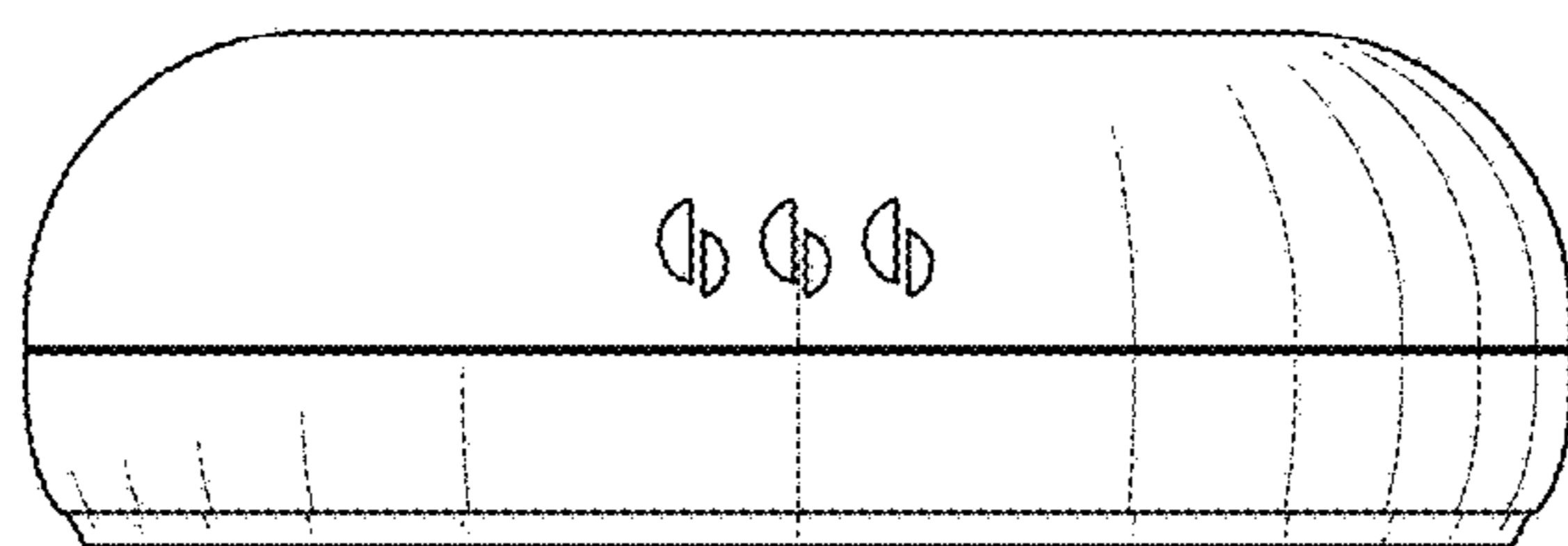


FIG. 5

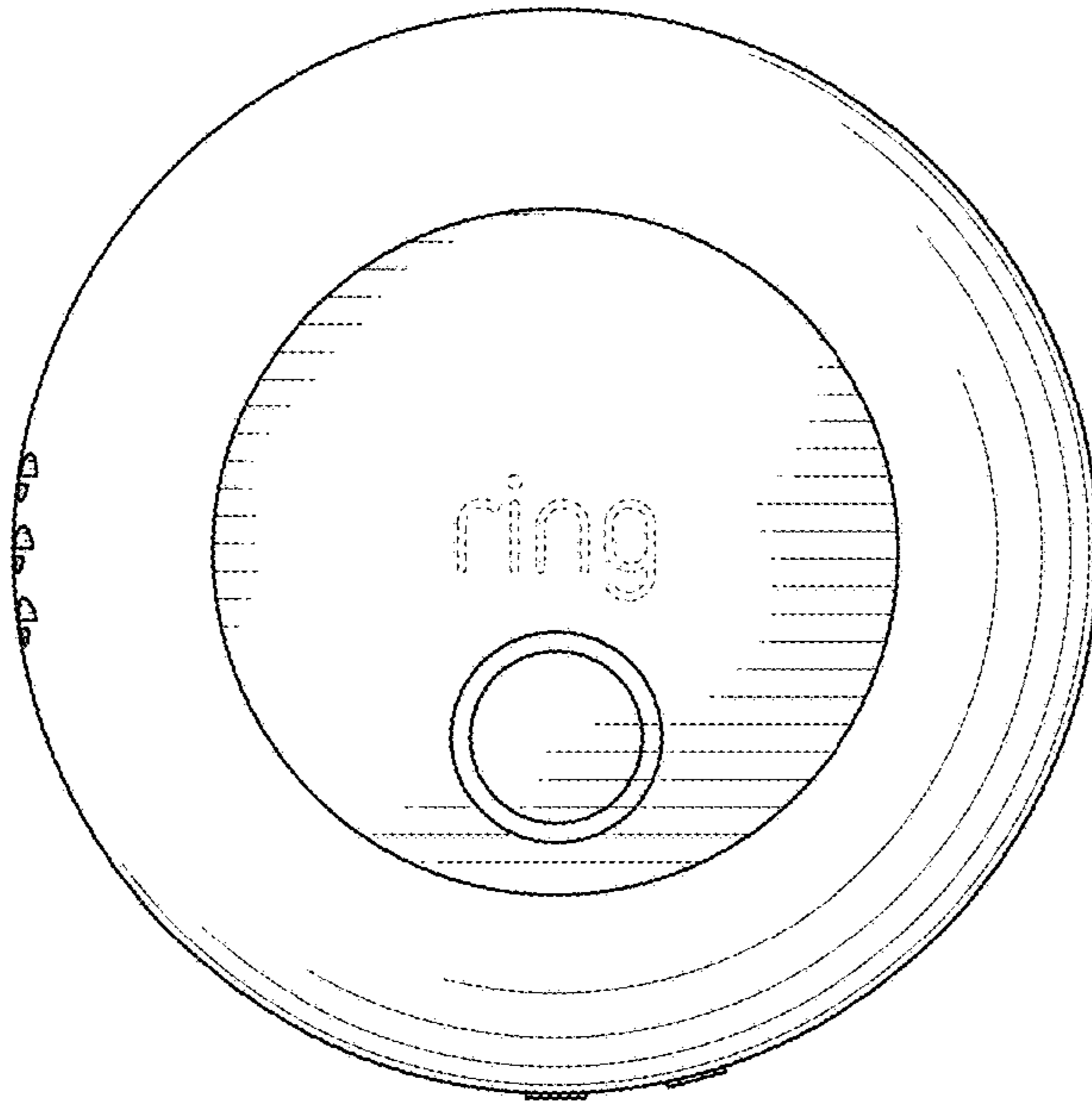


FIG. 6

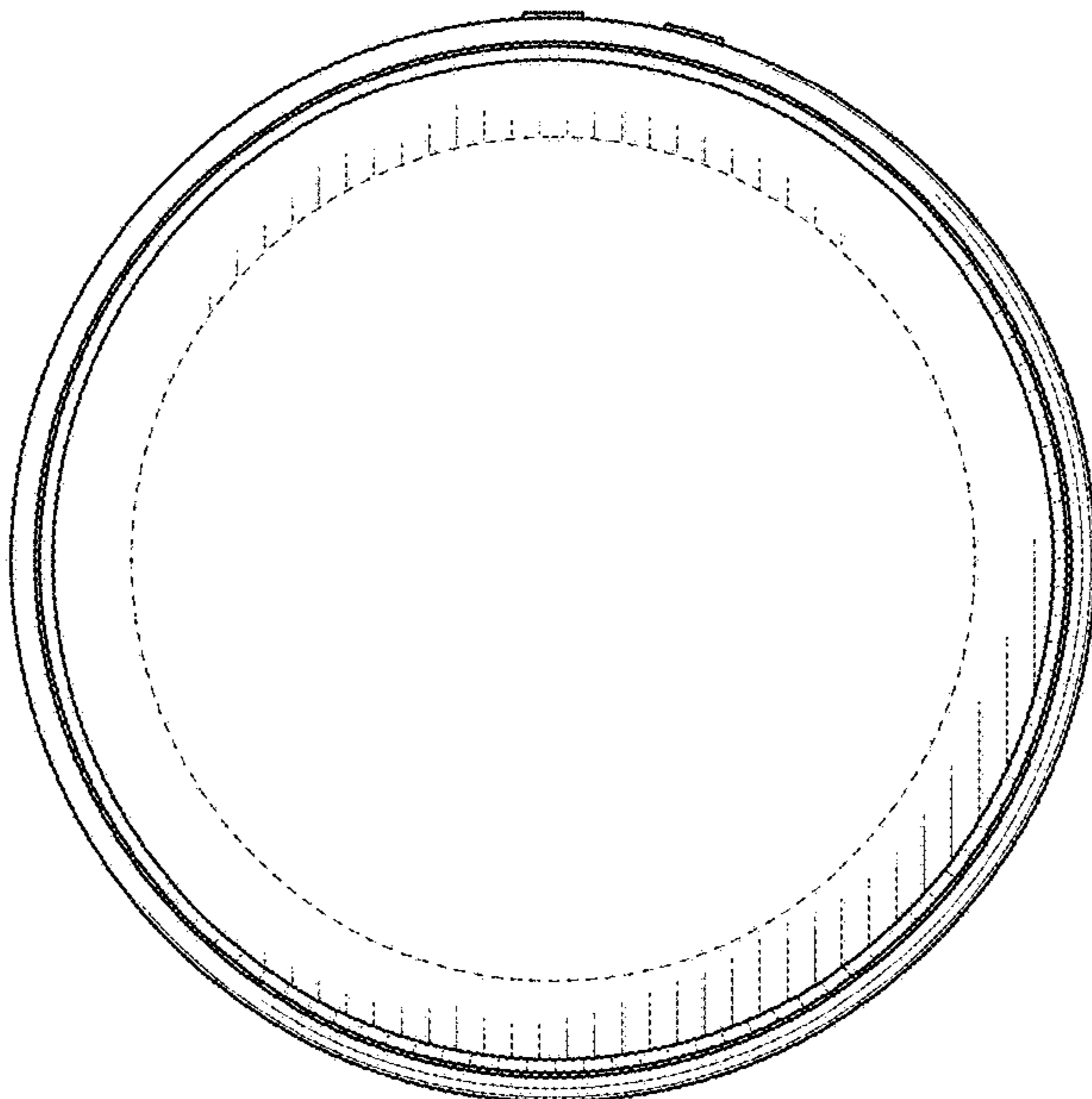


FIG. 7