



US00D860025S

(12) **United States Design Patent** (10) **Patent No.:** **US D860,025 S**
Illouz (45) **Date of Patent:** **** Sep. 17, 2019**

(54) **SMOKE DETECTOR MOUNT**
(71) Applicant: **Shalom Illouz**, Los Angeles, CA (US)
(72) Inventor: **Shalom Illouz**, Los Angeles, CA (US)
(**) Term: **15 Years**
(21) Appl. No.: **29/656,637**
(22) Filed: **Jul. 13, 2018**
(51) **LOC (12) Cl.** **10-05**
(52) **U.S. Cl.**
USPC **D10/106.2**; D10/121; D8/354
(58) **Field of Classification Search**
USPC D10/104.1, 106.1, 106.2, 106.3, 106.4,
D10/106.5, 106.6, 106.7, 106.8, 106.95,
D10/108, 109.1, 109.2, 121, 123, 124,
D10/125; D8/349, 353, 354, 355, 356,
D8/358, 360.1, 363, 364, 366, 371, 404,
D8/499; 248/274.1, 284.1, 279.1;
D13/152; D6/300, 301, 302; D14/209,
D14/224, 229, 238, 447, 239, 432
CPC H02G 3/12; F16M 13/02
See application file for complete search history.

(56) **References Cited**

U.S. PATENT DOCUMENTS

D523,264 S *	6/2006	Peng	D6/716.5
D549,555 S *	8/2007	Ignagni	D8/354
D561,561 S *	2/2008	Wohlford	D8/354
D562,668 S *	2/2008	Stuckey	D8/313
D563,896 S *	3/2008	Greenslate	D10/104.1
D584,596 S *	1/2009	Doverspike	D8/354
D635,099 S *	3/2011	Kramer	D13/152
D709,511 S *	7/2014	Sparks	D14/447
D713,828 S *	9/2014	Stifal	D14/239
8,881,468 B2 *	11/2014	McMullen	E06B 1/62 248/224.8

D720,358 S *	12/2014	Ginsterblum	D14/447
D777,013 S *	1/2017	Heggland	D8/349
D784,791 S *	4/2017	Aragaw	D8/353
10,014,674 B1 *	7/2018	Illouz	F16M 13/02

OTHER PUBLICATIONS

“Nest E thermostat SeeLess Solutions flush mount SLN-TS-500” available Jun. 20, 2019, [online], [site visited Jun. 20, 2019]. Retrieved from Internet, URL:https://seeless.com/products/sln-ts-500 (Year: 2019).*
“SLL-TSQ-750” available Jun. 20, 2019, [online], [site visited Jun. 20, 2019]. Retrieved from Internet, URL:https://seeless.com/products/sll-ts-q-750 (Year: 2019).*
“SLK-SM” available Jun. 20, 2019, [online], [site visited Jun. 20, 2019]. Retrieved from Internet, URL:https://seeless.com/products/slk-sm (Year: 2019).*
“SLK-SM2-1000” available Jun. 20, 2019, [online], [site visited Jun. 20, 2019]. Retrieved from Internet, URL:https://seeless.com/products/slk-sm-1000 (Year: 2019).*

(Continued)

Primary Examiner — Michael C Stout
Assistant Examiner — Katrina N Gonzalez
(74) *Attorney, Agent, or Firm* — Cotman IP Law Group, PLC

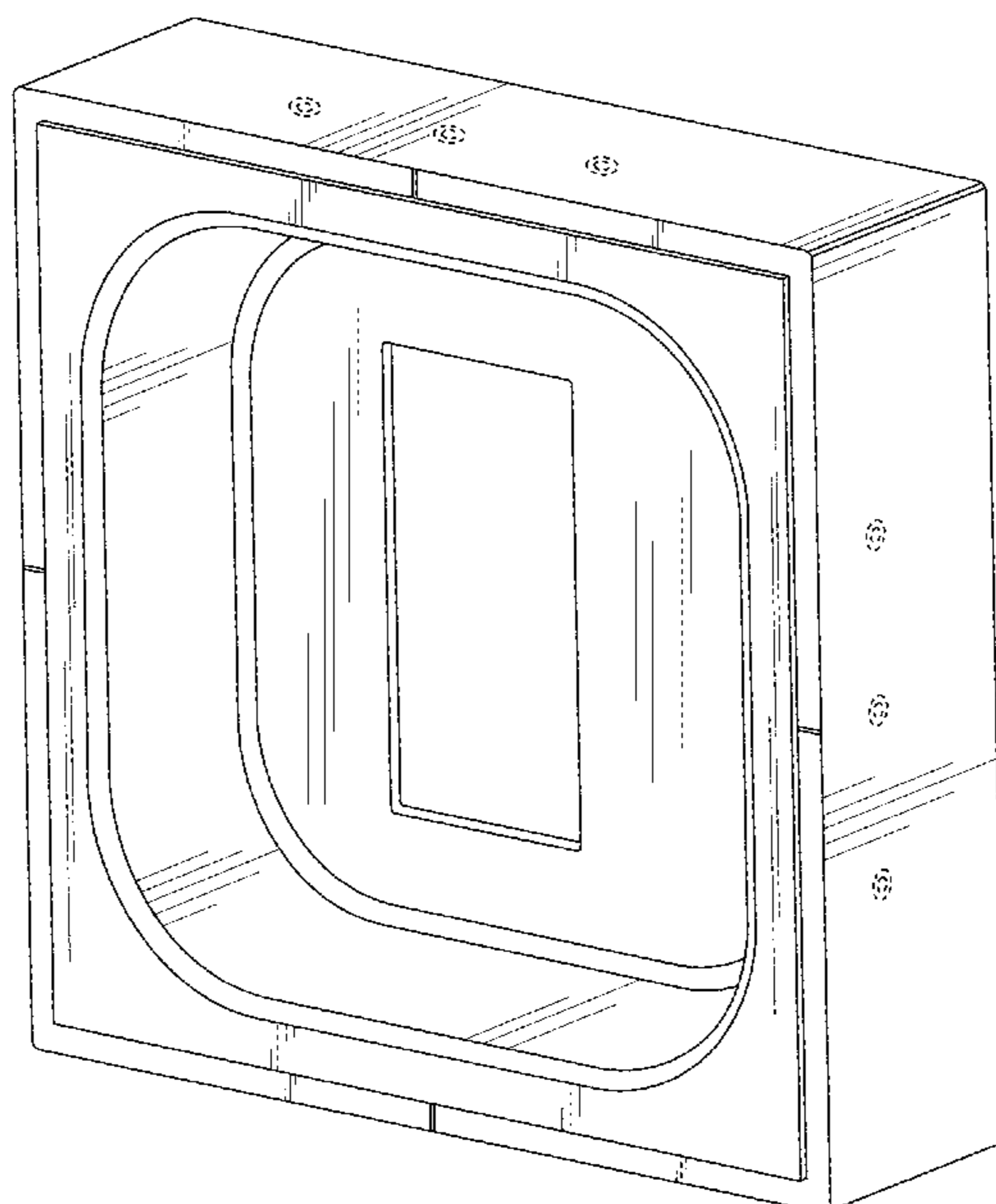
(57) **CLAIM**

The ornamental design for a smoke detector mount, as shown and described.

DESCRIPTION

FIG. 1 is a perspective view of a smoke detector mount showing the new design.
FIG. 2 is a front view thereof; and,
FIG. 3 is a front view thereof, shown in use with a smoke detector.
The broken lines illustrate environmental structure that forms no part of the claimed design.

1 Claim, 3 Drawing Sheets



(56)

References Cited

OTHER PUBLICATIONS

“Amazon Echo Spot Platform” available Jun. 21, 2019, [online], [site visited Jun. 21, 2019]. Retrieved from Internet, URL:<https://seeless.com/collections/flush-mounts-voice-control-alexa-echo-josh-ai/products/sl-aes-500> (Year: 2019).*

“SLW-AP” available Jun. 21, 2019, [online], [site visited Jun. 21, 2019]. Retrieved from Internet, URL:<https://seeless.com/collections/flush-mounts-wireless-wifi-access-points/products/slw-apl> (Year: 2019).*

* cited by examiner

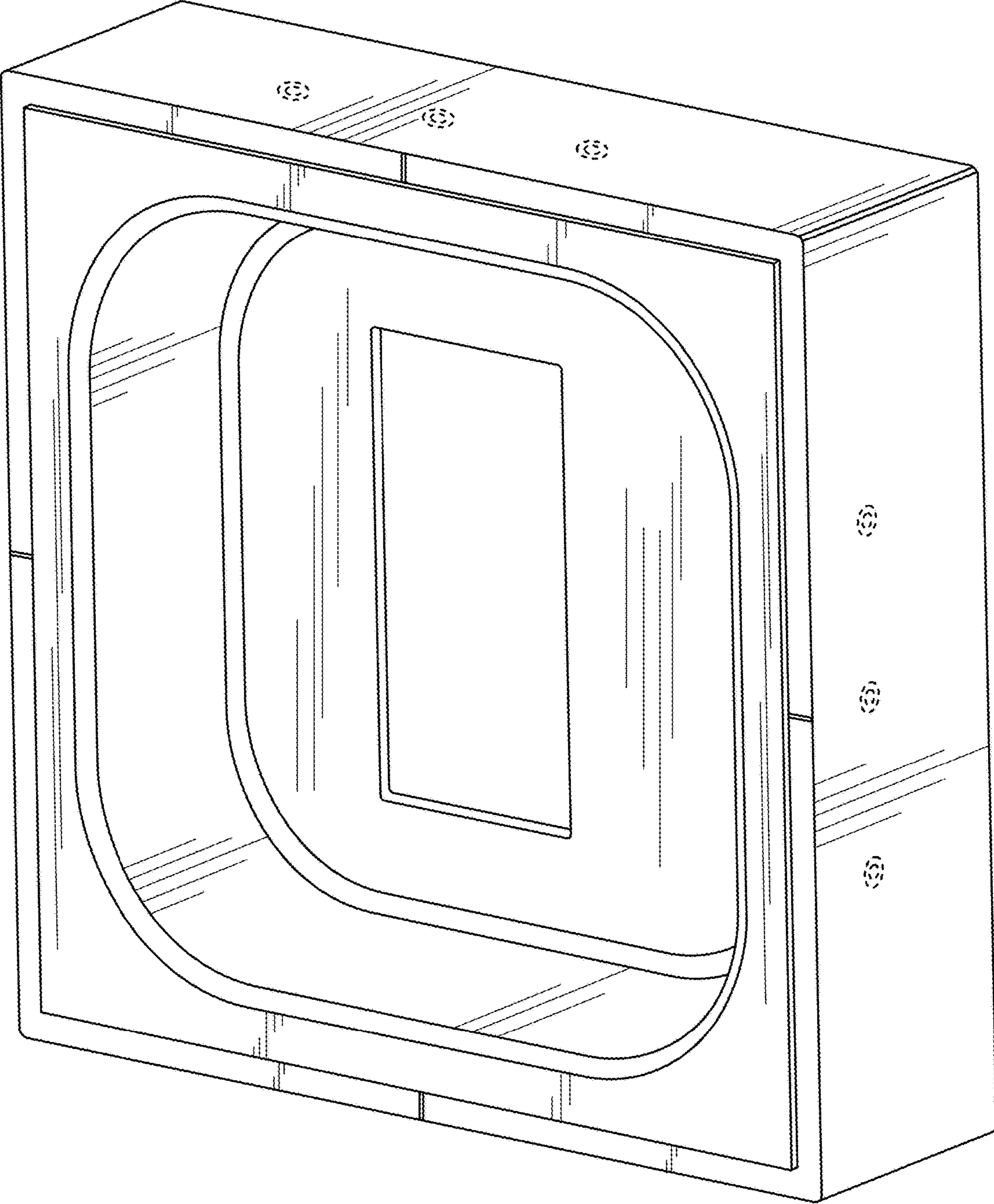


FIG. 1

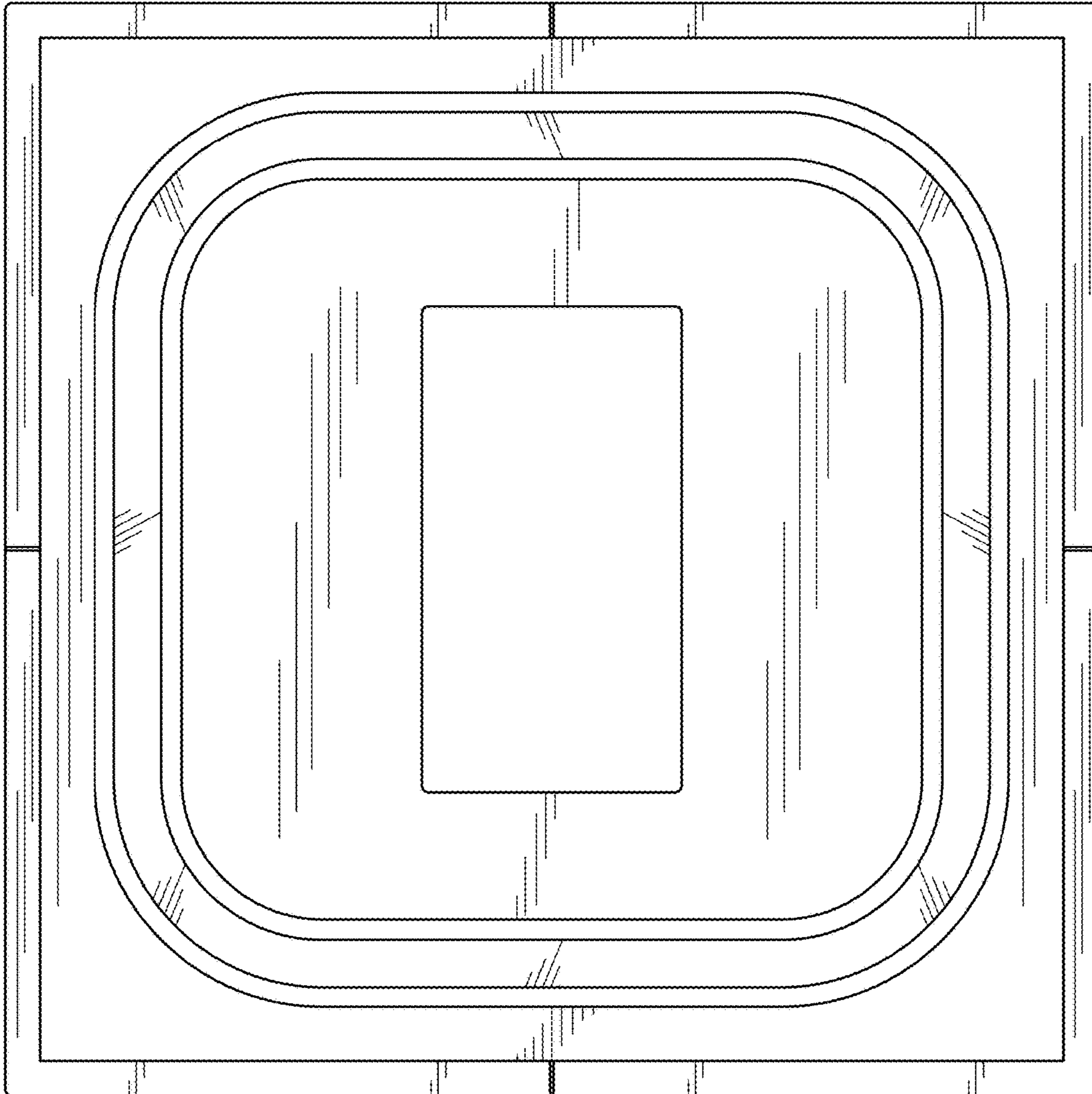


FIG. 2

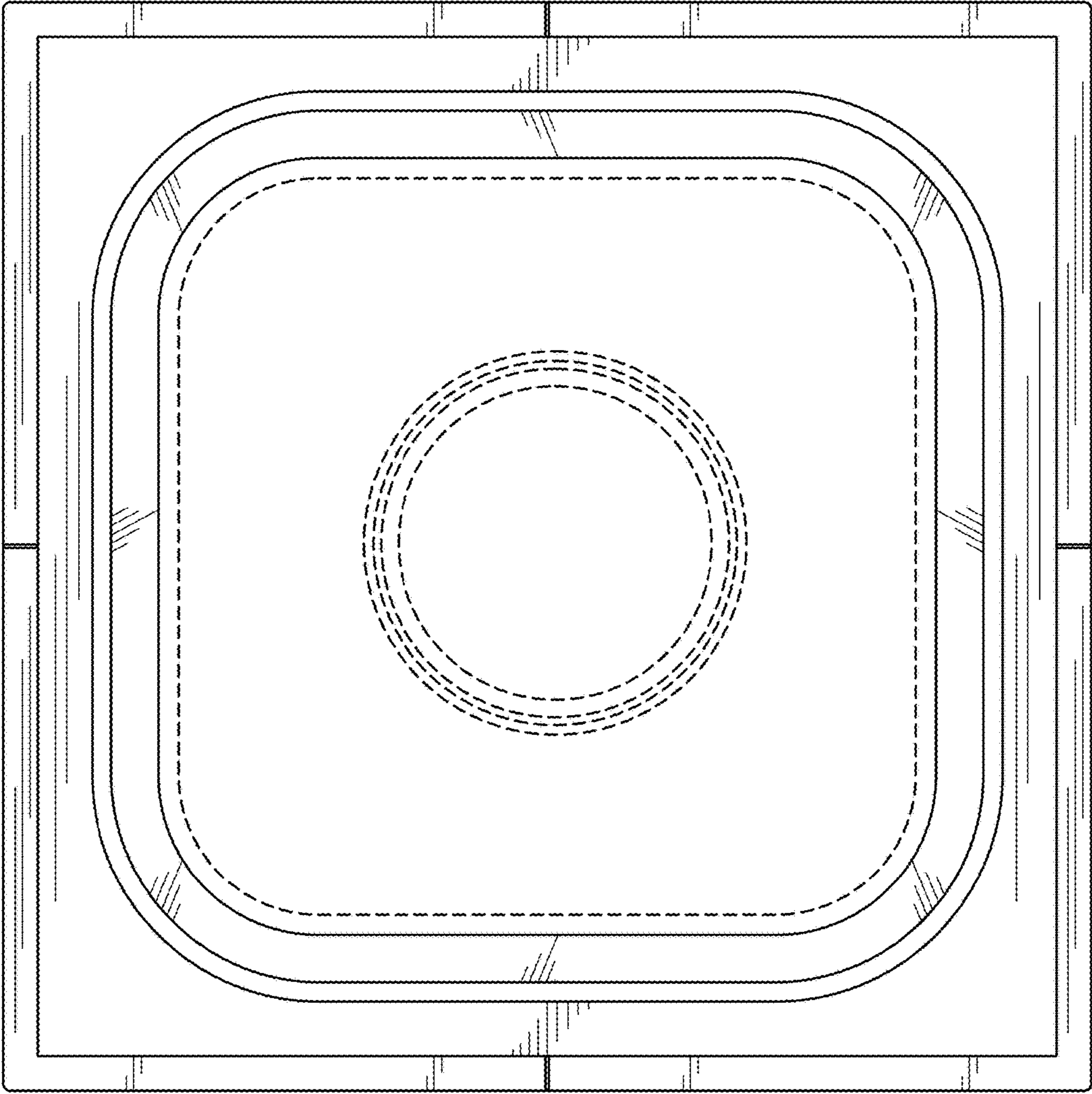


FIG. 3