

US00D860023S

(12) **United States Design Patent** (10) **Patent No.:** **US D860,023 S**
MacMahon et al. (45) **Date of Patent:** **** Sep. 17, 2019**

(54) **PART OF ALARM DEVICE**
(71) Applicant: **VERISURE SÀRL**, Versoix (CH)
(72) Inventors: **Diarmuid MacMahon**, Dublin (IE); **Philip Nilsson**, Wicklow (IE); **Eoin McNally**, Dublin (IE); **Henrik Mårtensson**, Lund (SE)
(73) Assignee: **VERISURE SÀRL**, Versoix (CH)
(**) Term: **15 Years**
(21) Appl. No.: **35/504,965**
(22) Filed: **Dec. 13, 2017**
(80) **Hague Agreement Data**

Int. Filing Date: **Dec. 13, 2017**
Int. Reg. No.: **DM/100984**
Int. Reg. Date: **Dec. 13, 2017**
Int. Reg. Pub. Date: **May 18, 2018**

(51) **LOC (12) Cl.** **10-05**
(52) **U.S. Cl.**
USPC **D10/106.1**
(58) **Field of Classification Search**
USPC D10/121, 104.1, 106.1, 106.95, 102, 50
See application file for complete search history.

(56) **References Cited**

U.S. PATENT DOCUMENTS

D449,244 S * 10/2001 Ginzl D10/106.6
D521,403 S * 5/2006 Shain F16B 21/065
D10/121
D534,089 S * 12/2006 Disselkoen D10/50
D537,746 S * 3/2007 Kageyama D10/106.6
D559,718 S * 1/2008 Schaeken D10/106.1
D559,719 S * 1/2008 Schaeken D10/106.1
D632,600 S * 2/2011 Noguchi D10/106.6

D666,934 S * 9/2012 Krumpe D10/106.6
D680,013 S * 4/2013 Ikeda D10/106.6
D713,277 S * 9/2014 Hasegawa D10/106.6
D726,179 S * 4/2015 Orthey D14/358
D744,884 S * 12/2015 Roberts D10/104.1
D747,228 S * 1/2016 Fiedler D10/104.1
D757,586 S * 5/2016 Li D10/106.6
D777,050 S * 1/2017 Will D10/104.1
D778,185 S * 2/2017 Ookawa D10/104.1
D786,106 S * 5/2017 Yau D10/106.6
D788,603 S * 6/2017 Liu D10/102
D793,262 S * 8/2017 Geskin Zinovi D10/104.1
D793,888 S * 8/2017 Hasegawa D10/106.95
D796,364 S * 9/2017 Konotopskyi D10/106.1
D803,187 S * 11/2017 Gunnarsson D14/214
D805,941 S * 12/2017 Jou D10/106.6
D806,671 S * 1/2018 Kalyuzhny D14/204
D806,678 S * 1/2018 Reichert D14/209.1
D807,320 S * 1/2018 Wong D14/204
D809,951 S * 2/2018 Yang D10/104.1

FOREIGN PATENT DOCUMENTS

EM 001783051-0005 11/2010
WO WO57873/DM/09316 4/2007

* cited by examiner

Primary Examiner — George D. Kirschbaum
(74) *Attorney, Agent, or Firm* — Capitol City TechLaw

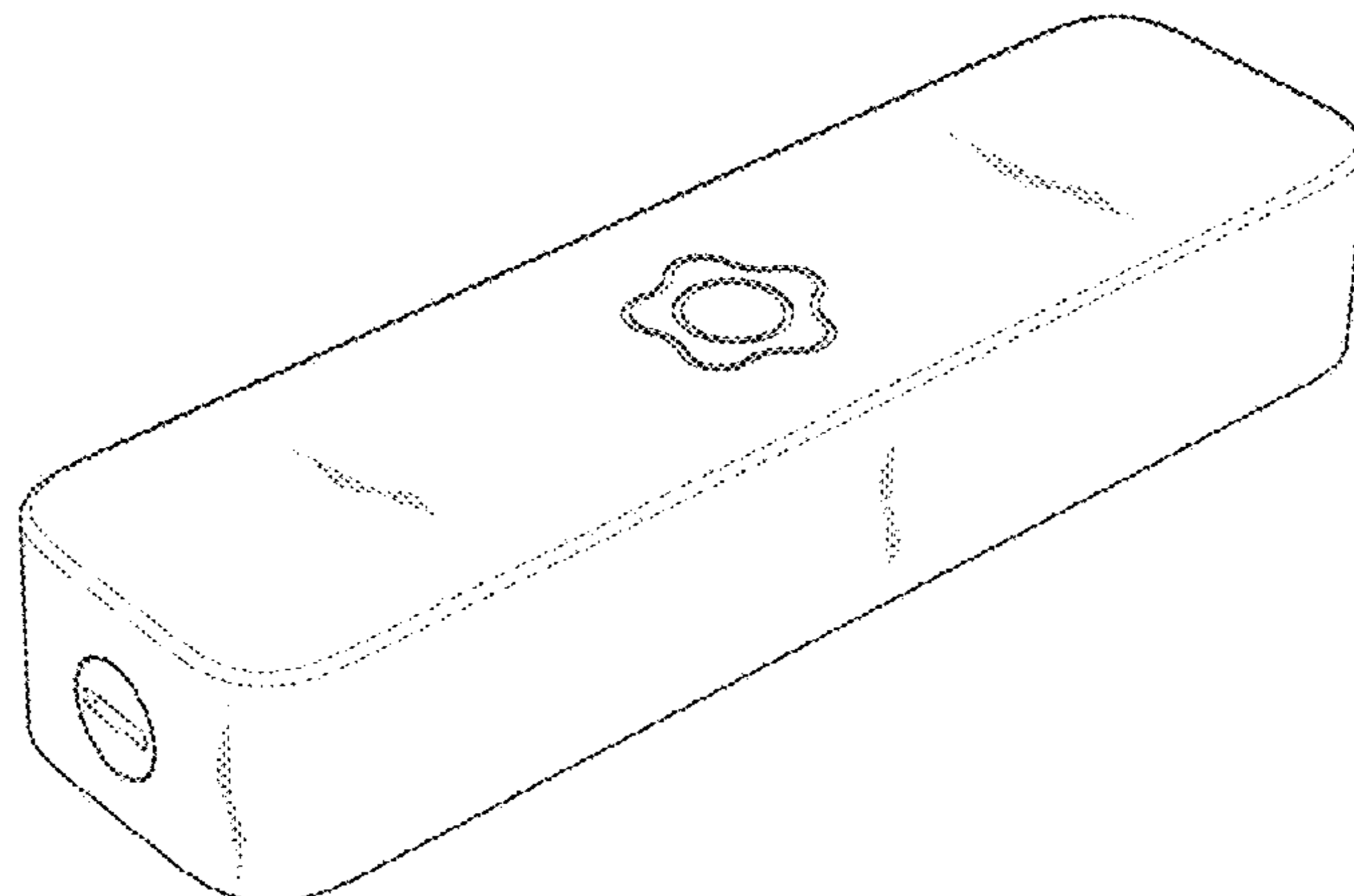
(57) **CLAIM**

The ornamental design for a part of alarm device, as shown.

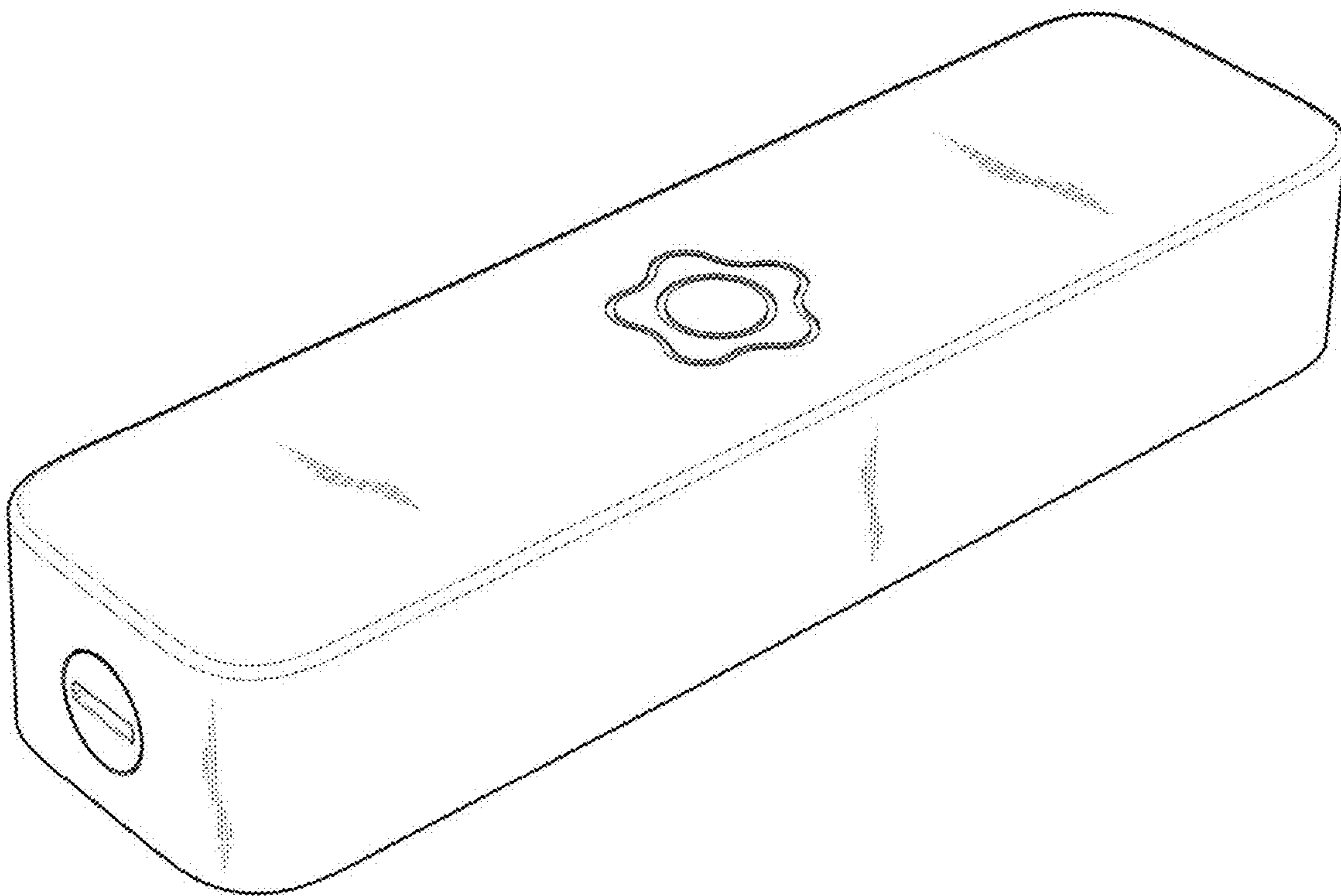
DESCRIPTION

- 1. Part of alarm device
- 1.1 : Front, top, and right side perspective view.
- 1.2 : Right side view.
- 1.3 : Left side view.
- 1.4 : Top view.
- 1.5 : Front view.
- 1.6 : Rear view.

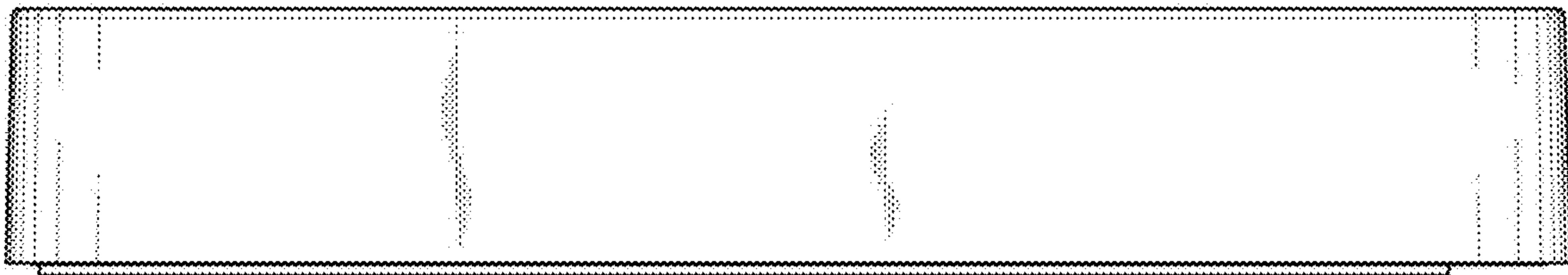
1 Claim, 6 Drawing Sheets



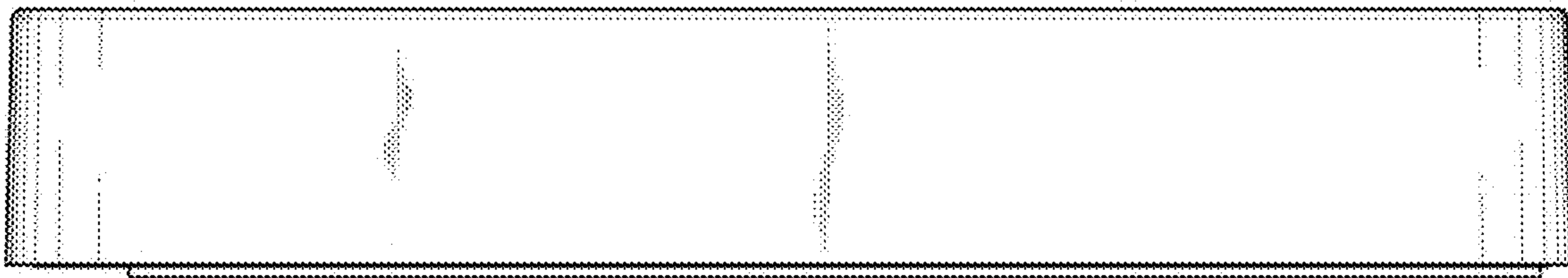
1.1



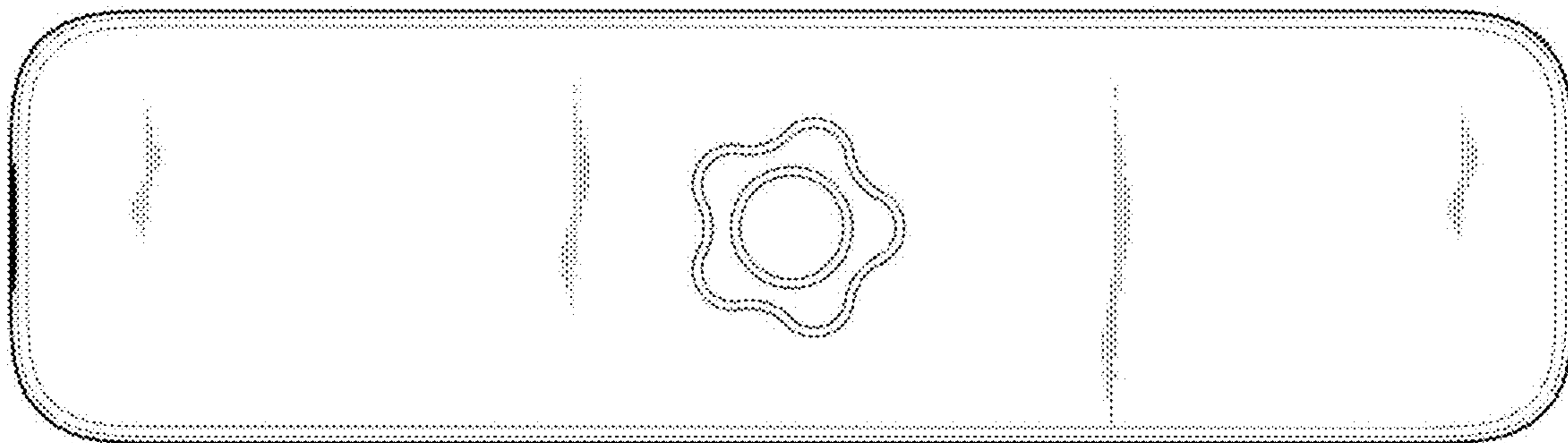
1.2



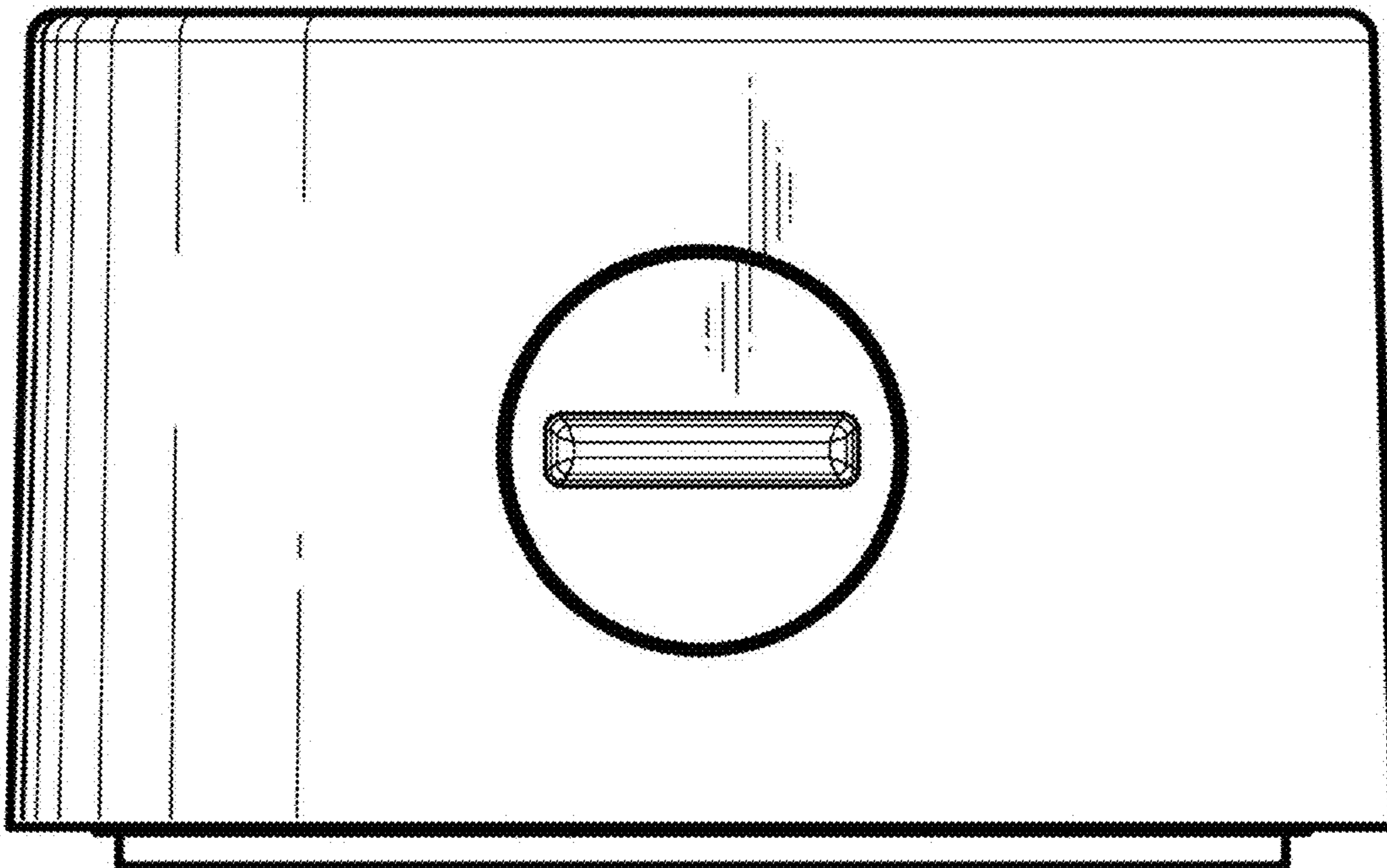
1.3



1.4



1.5



1.6

