



US00D860022S

(12) **United States Design Patent**
Schumacher et al.

(10) **Patent No.:** **US D860,022 S**

(45) **Date of Patent:** **** Sep. 17, 2019**

(54) **FEEDBACK DEVICE**

(71) Applicant: **Laughable Toys, LLC**, Snowmass, CO (US)

(72) Inventors: **Michael Schumacher**, Snowmass, CO (US); **Philip Rowe**, Denver, CO (US)

(73) Assignee: **Laughable Toys, LLC**, Snowmass, CO (US)

(**) Term: **15 Years**

(21) Appl. No.: **29/613,597**

(22) Filed: **Aug. 11, 2017**

(51) **LOC (12) Cl.** **10-04**

(52) **U.S. Cl.**
USPC **D10/98**

(58) **Field of Classification Search**
USPC D10/46, 98; D24/133, 186
CPC G01P 13/00; G01P 15/00; G01C 22/006;
G06F 15/00

See application file for complete search history.

(56) **References Cited**

U.S. PATENT DOCUMENTS

D840,254 S * 2/2019 Nguyen D10/70

* cited by examiner

Primary Examiner — Antoine Duval Davis

(74) *Attorney, Agent, or Firm* — Polsinelli PC

(57) **CLAIM**

The ornamental design for a feedback device, as shown and described.

DESCRIPTION

FIG. 1 is an isometric view of a feedback device showing our new design.

FIG. 2 is a bottom perspective view thereof.

FIG. 3 is a top view thereof.

FIG. 4 is a bottom view thereof.

FIG. 5 is a left side view thereof.

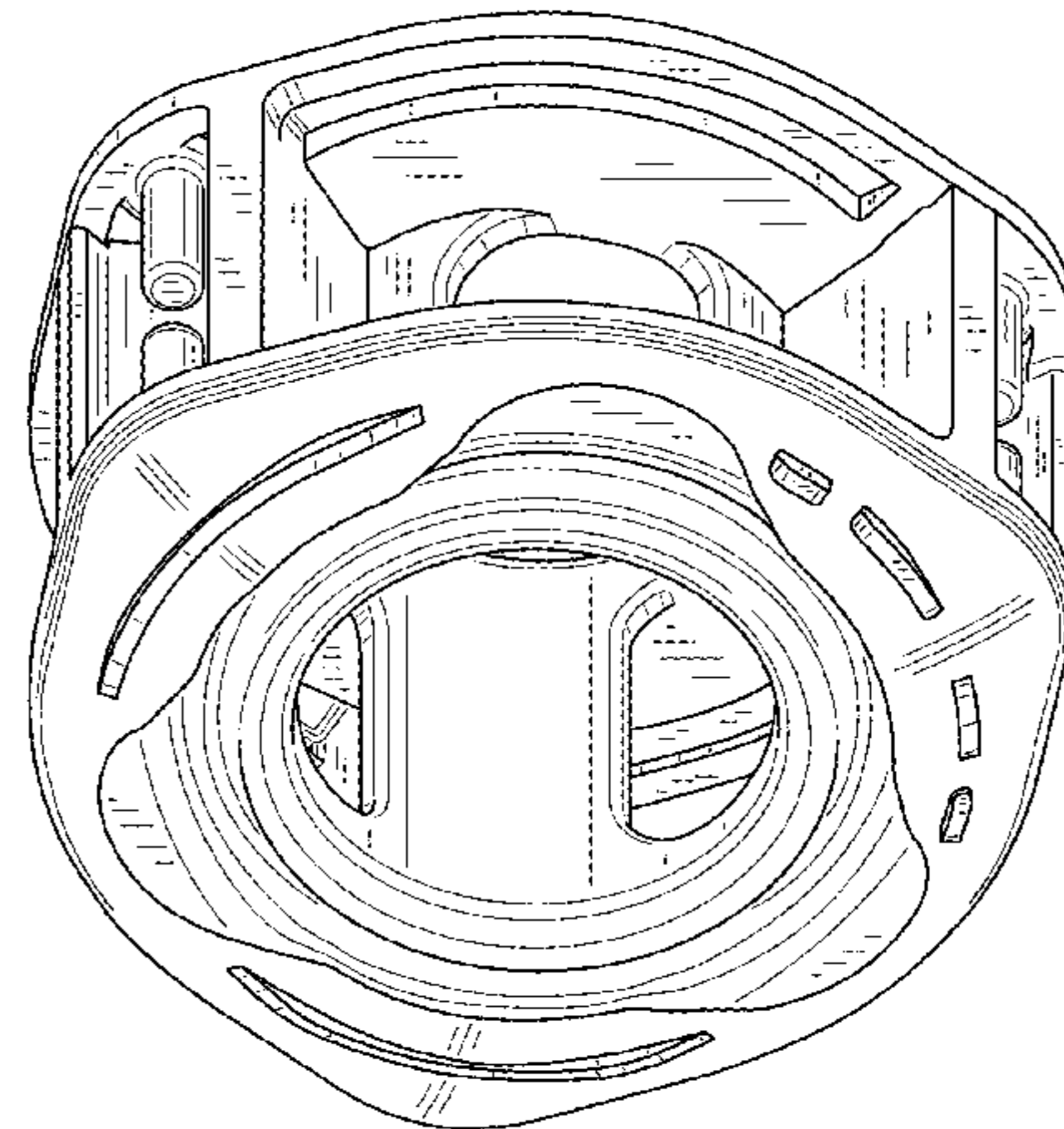
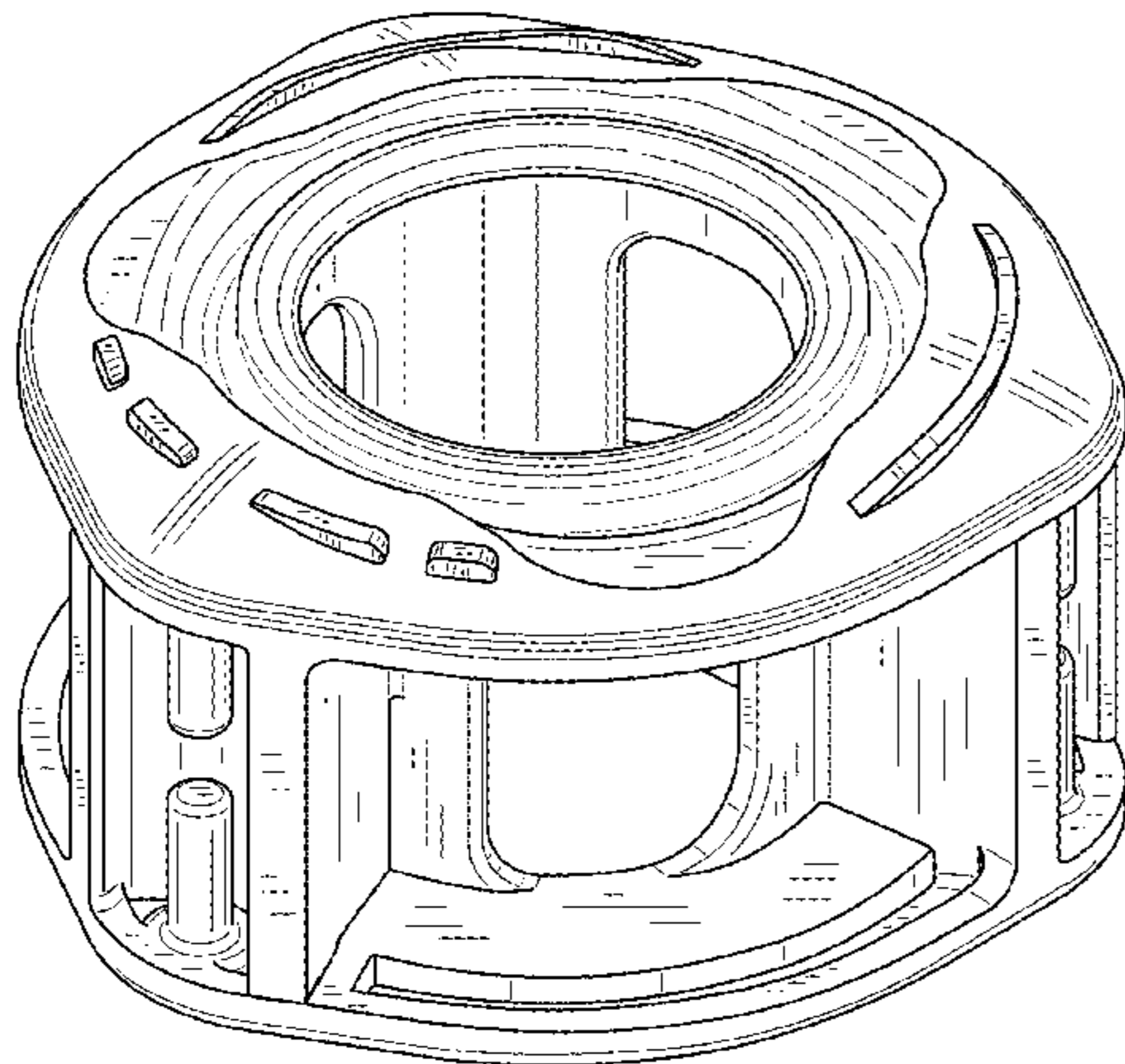
FIG. 6 is a right side view thereof.

FIG. 7 is a front view thereof; and,

FIG. 8 is a back view thereof.

The shade lines in the Figures show contour and not surface ornamentation.

1 Claim, 8 Drawing Sheets



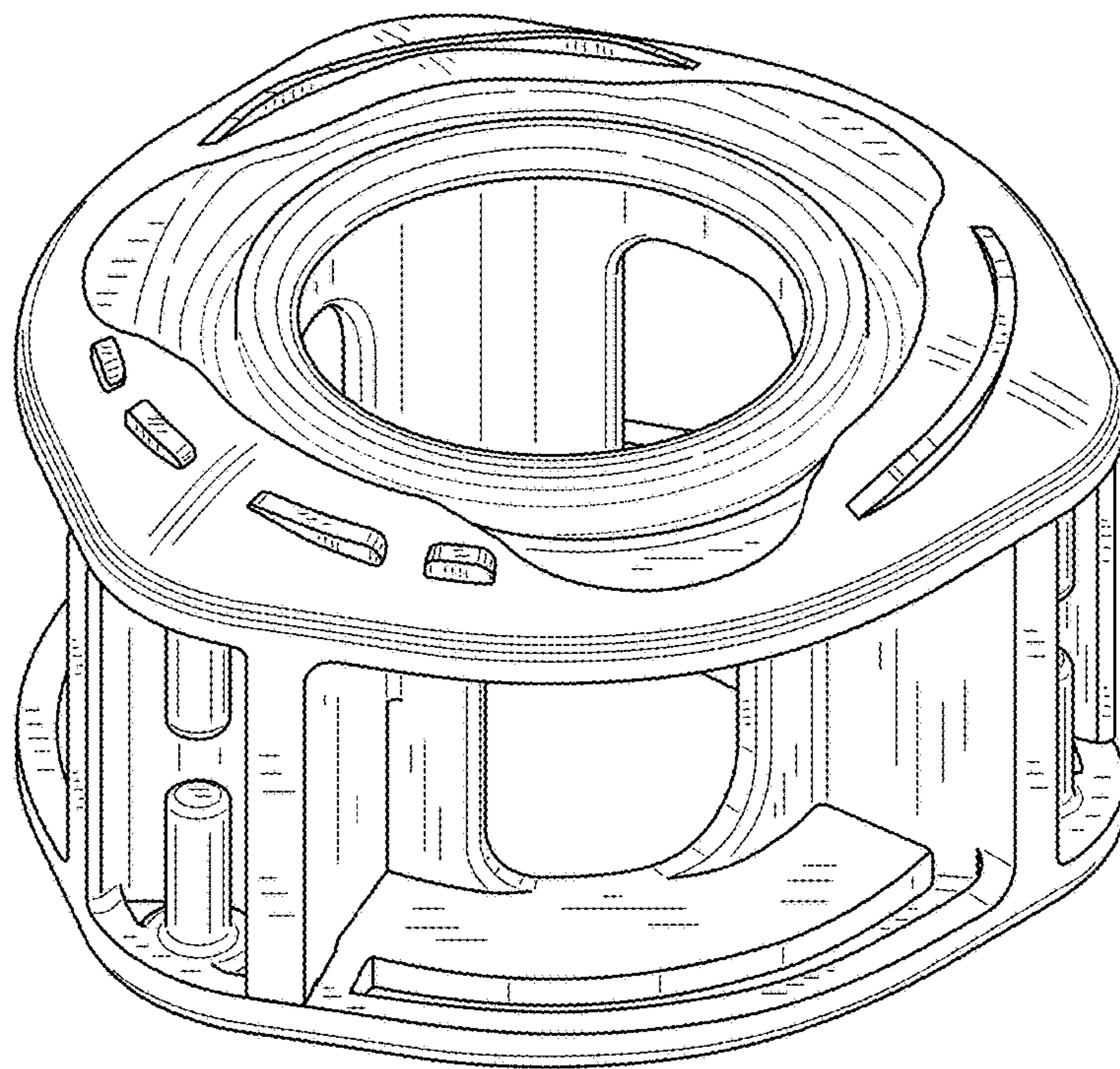


FIG.1

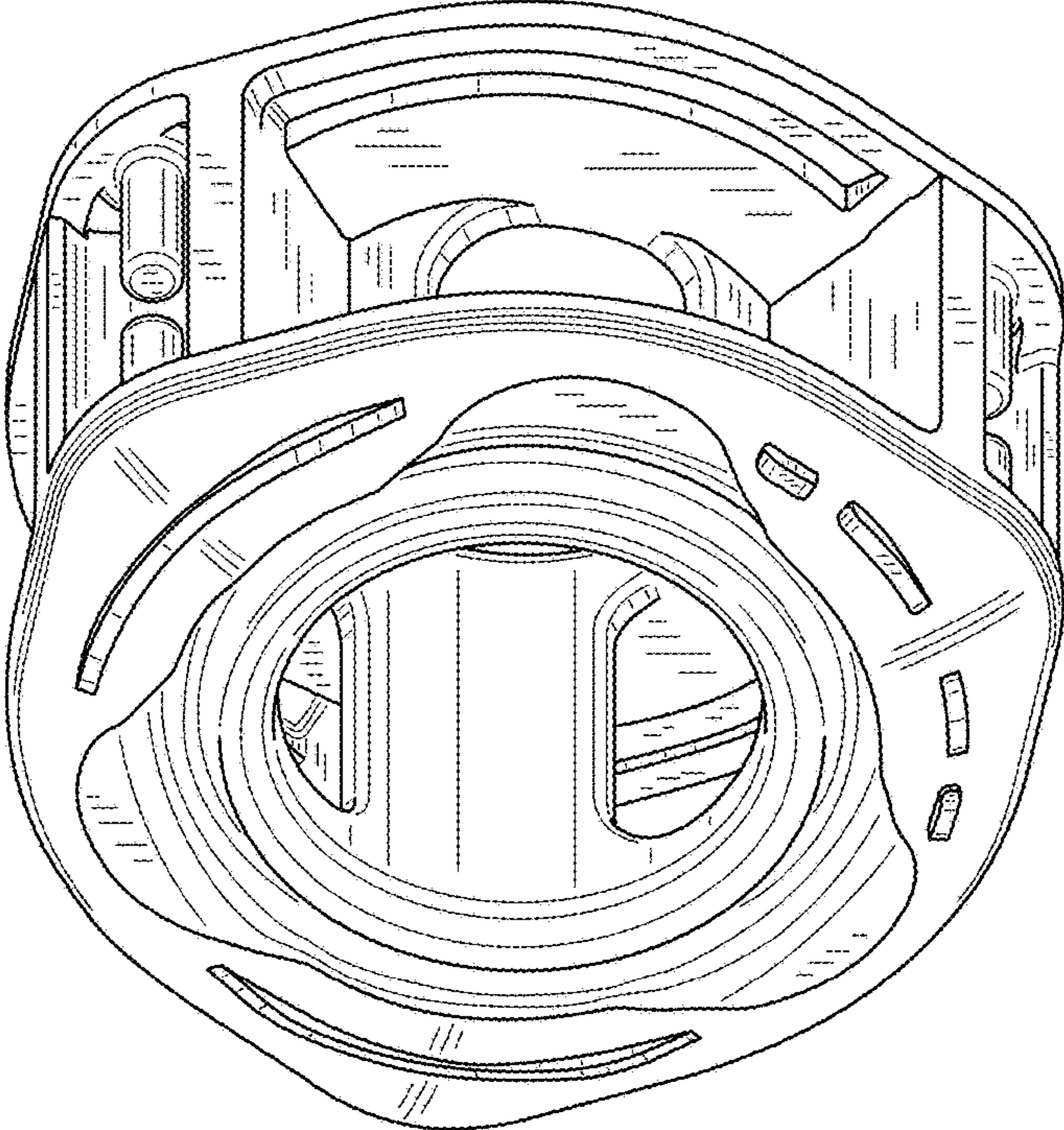


FIG.2

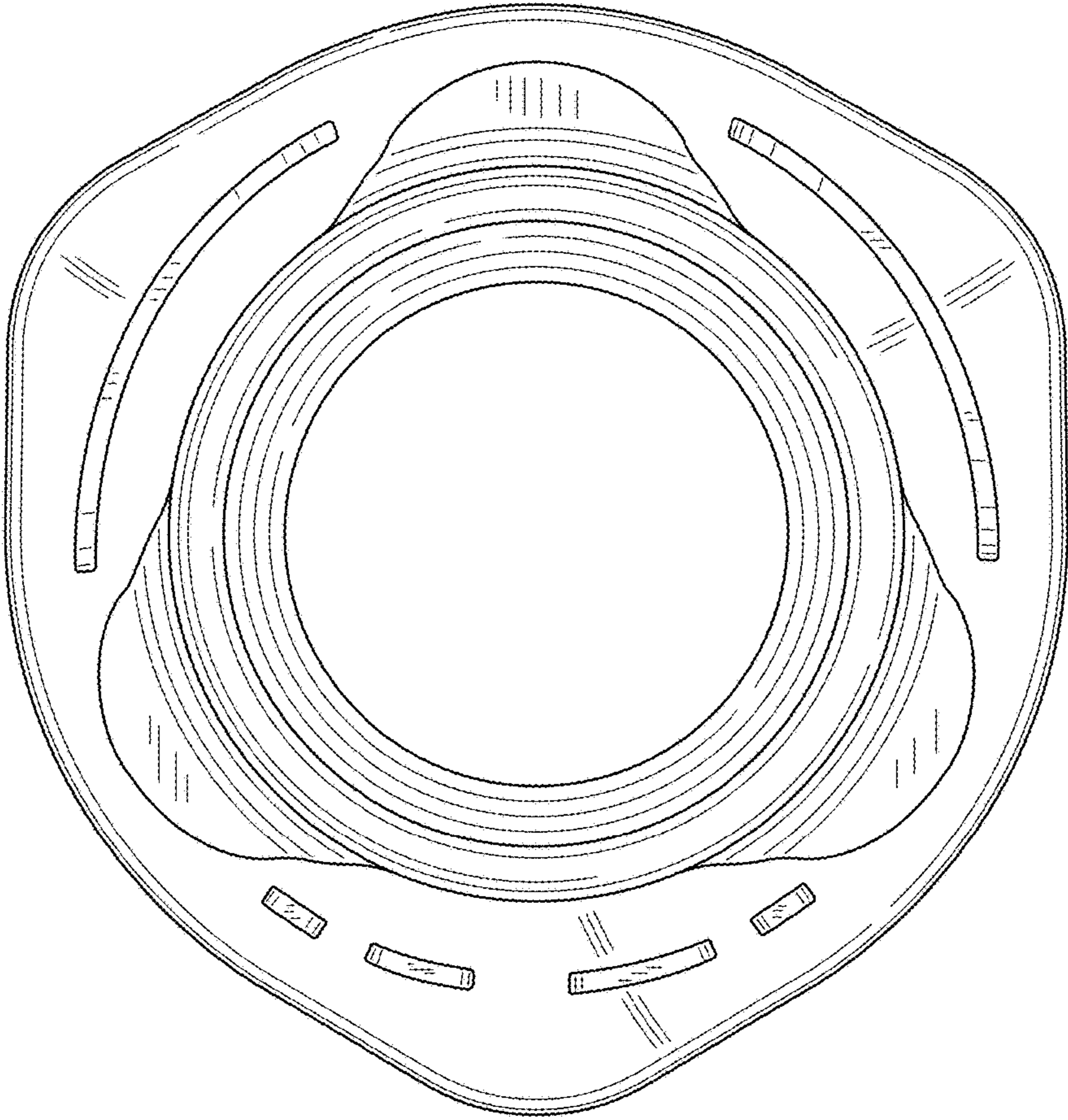


FIG.3

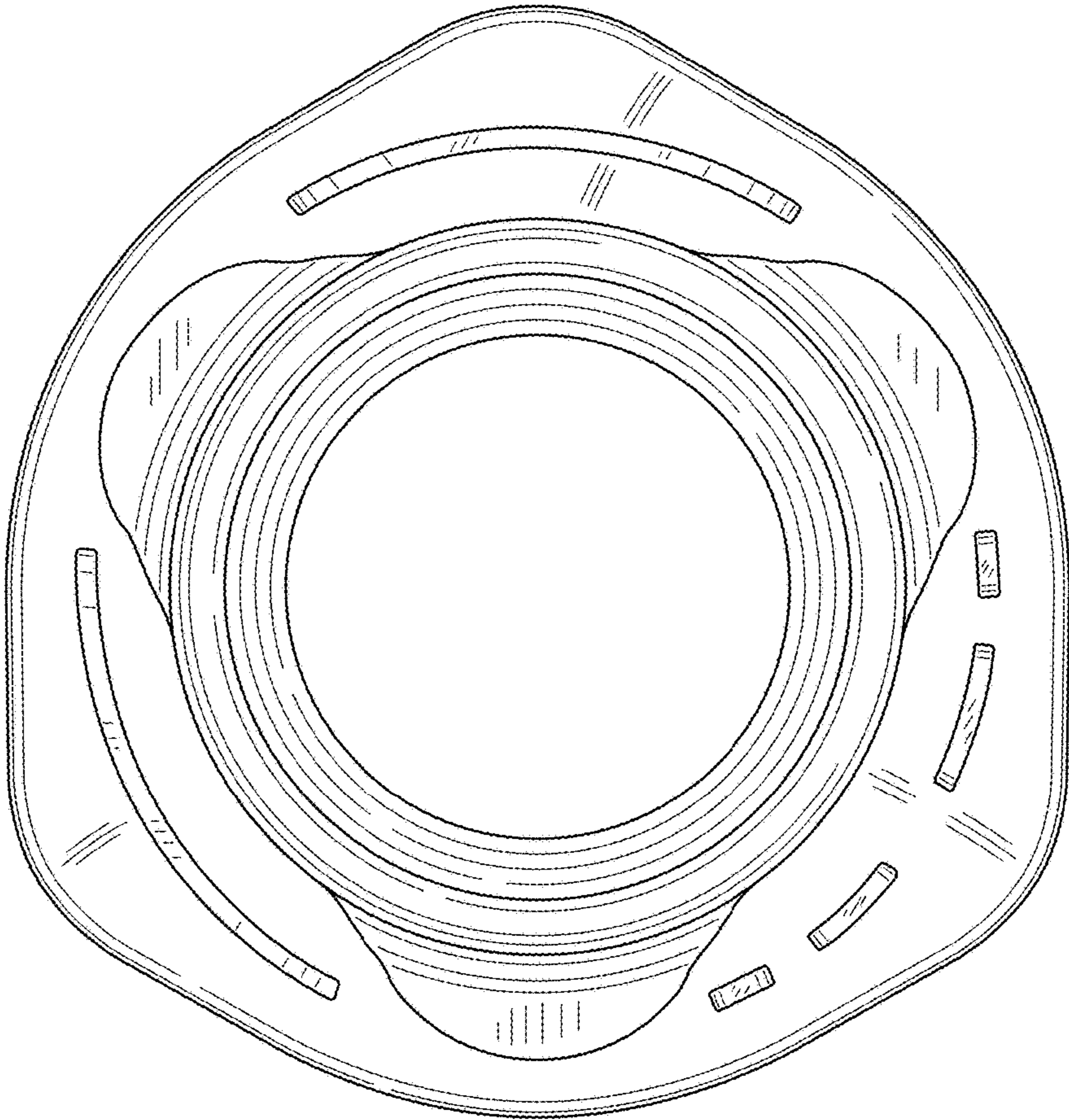


FIG.4

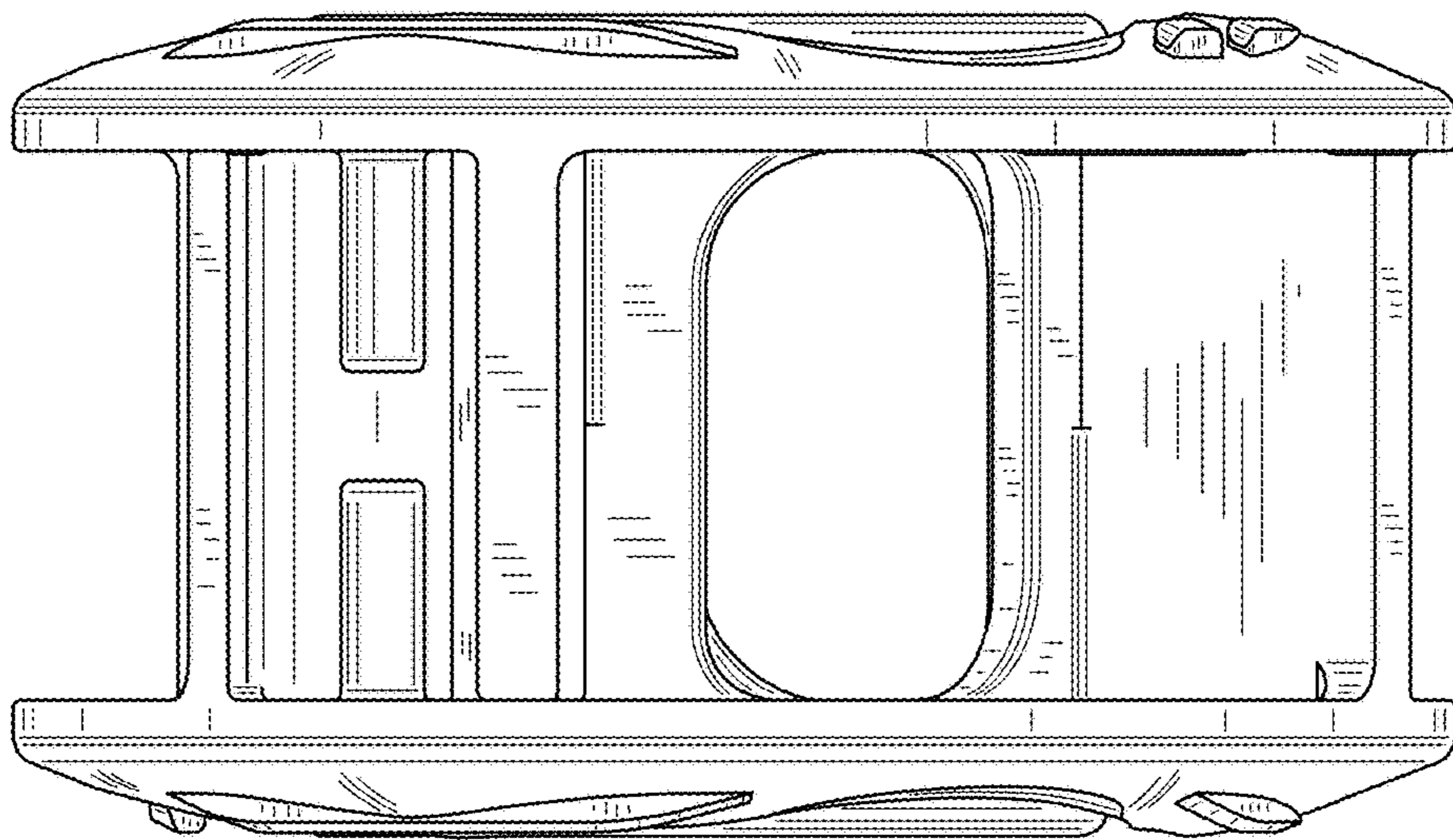


FIG.5

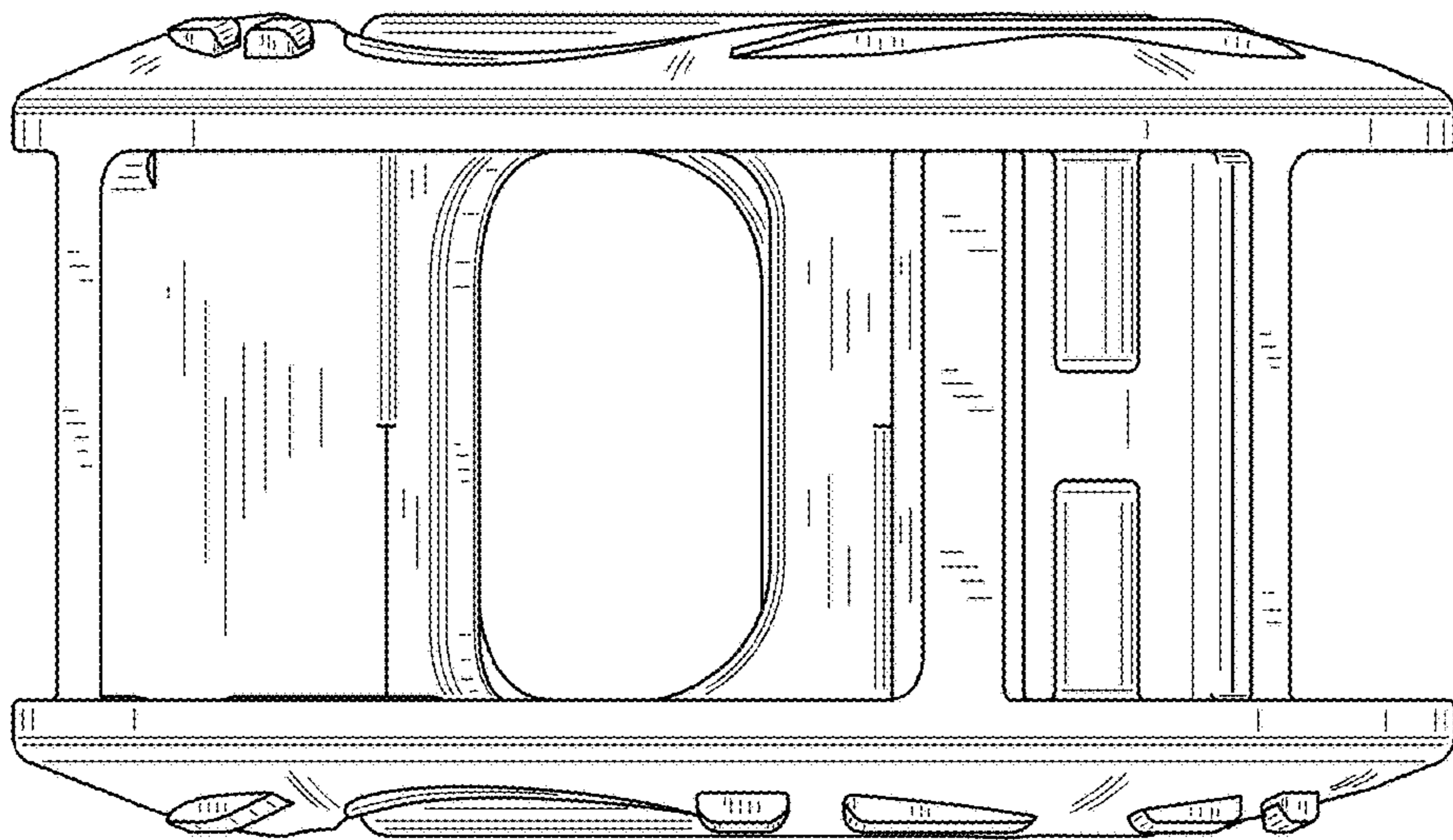


FIG.6

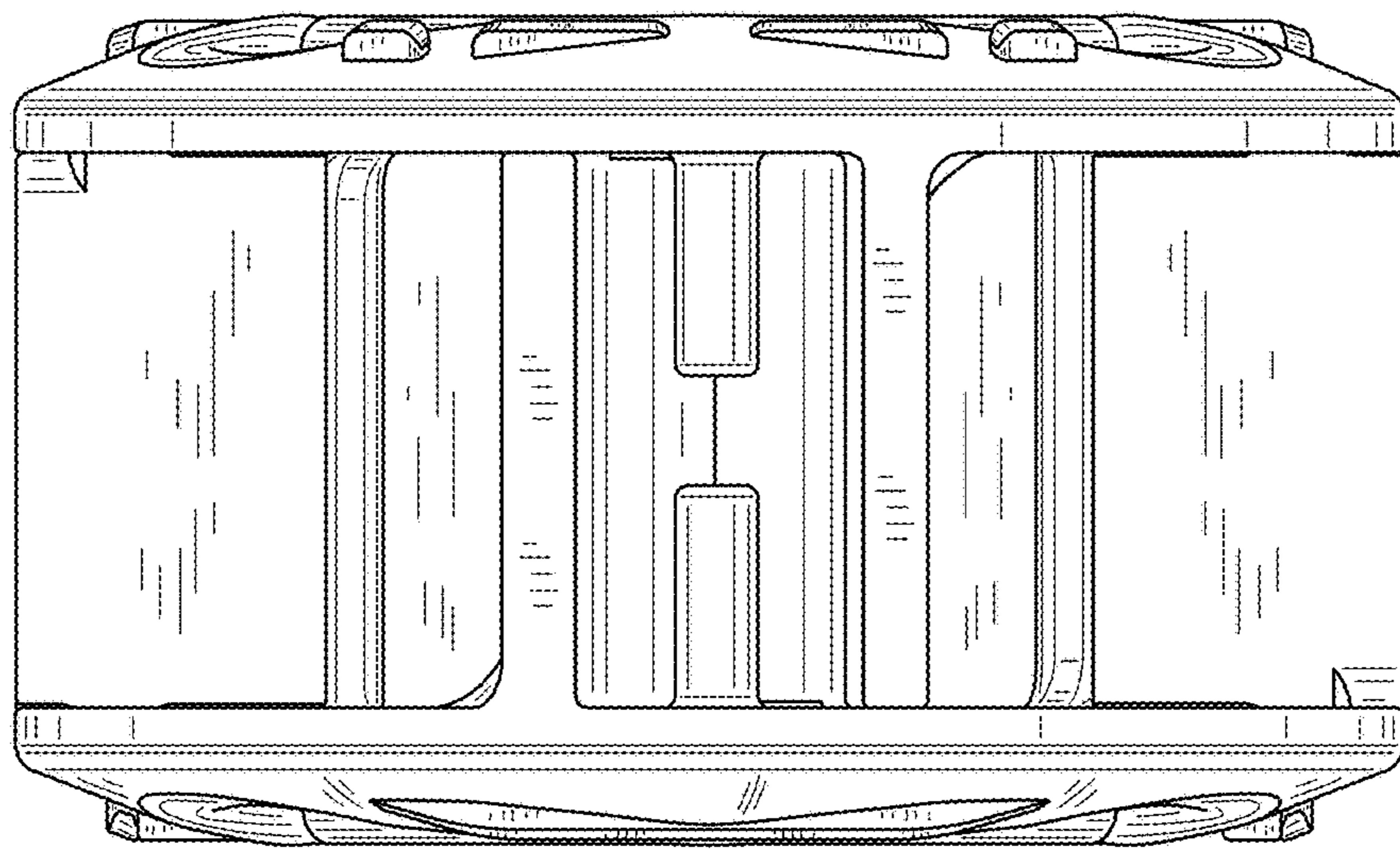


FIG.7

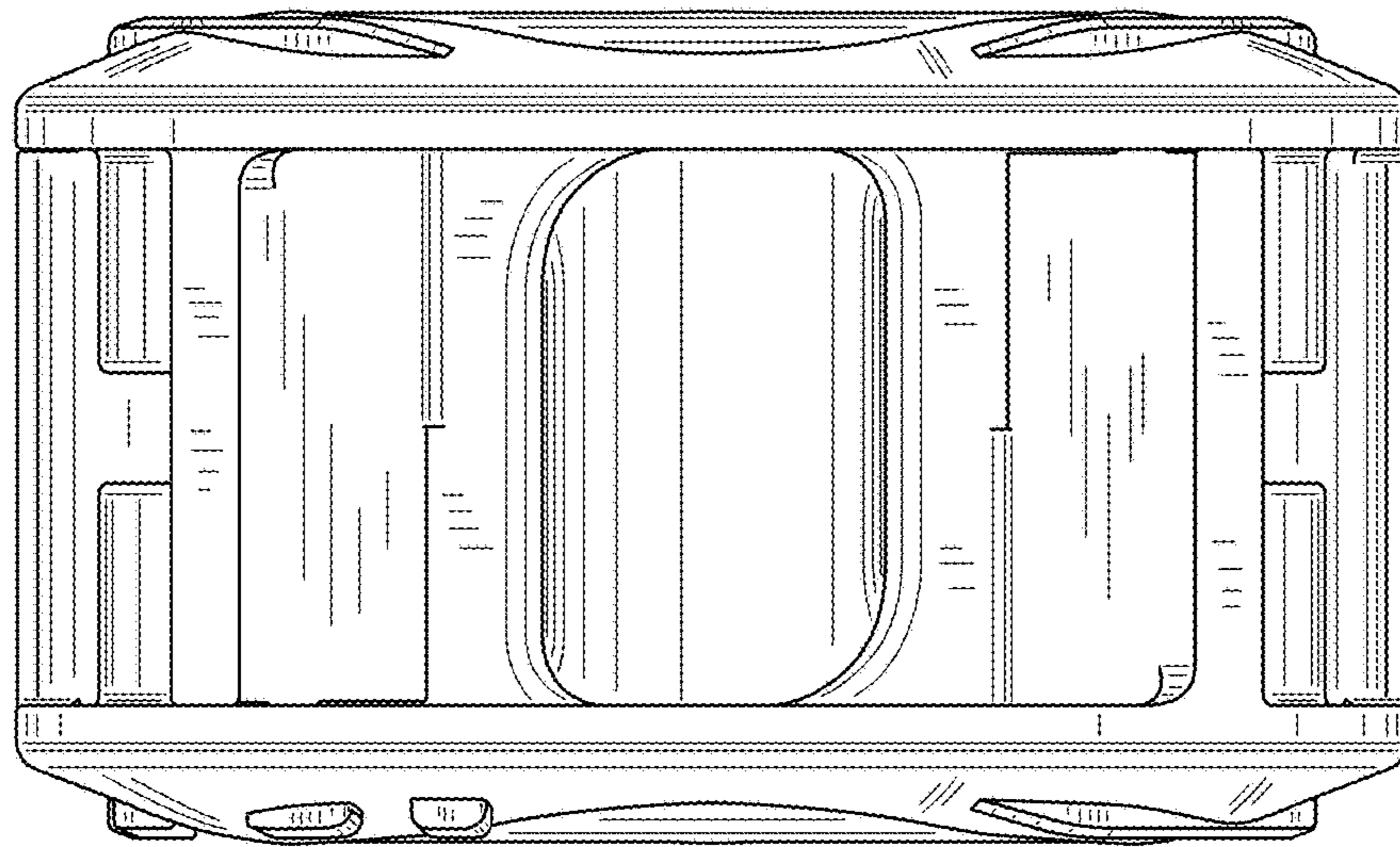


FIG.8