



US00D860021S

(12) **United States Design Patent** (10) **Patent No.:** **US D860,021 S**
Ma et al. (45) **Date of Patent:** **** Sep. 17, 2019**

(54) **MEASUREMENT DEVICE**

(71) Applicant: **CAINIAO SMART LOGISTICS HOLDING LIMITED**, Grand Cayman (KY)

(72) Inventors: **Zanzan Ma**, Hangzhou (CN); **Hangcheng Fan**, Hangzhou (CN); **Liang Zhao**, Hangzhou (CN); **Donghui Hu**, Hangzhou (CN)

(73) Assignee: **Cainiao Smart Logistics Holding Limited**, Grand Cayman (KY)

(**) Term: **15 Years**

(21) Appl. No.: **29/627,354**

(22) Filed: **Nov. 27, 2017**

(30) **Foreign Application Priority Data**

Jun. 7, 2017 (CN) 2017 3 0229245

(51) **LOC (12) Cl.** **10-04**

(52) **U.S. Cl.**
USPC **D10/88; D16/208**

(58) **Field of Classification Search**
USPC D10/46, 87, 88, 89, 91, 92, 94; D16/208
CPC G01G 21/28; G01G 21/283; G01G 21/286;
G01G 21/30; G01G 23/37; G01G 23/3728; G01G 23/3735

See application file for complete search history.

(56) **References Cited**

U.S. PATENT DOCUMENTS

D830,868 S * 10/2018 Kress D10/87

* cited by examiner

Primary Examiner — Antoine Duval Davis

(74) *Attorney, Agent, or Firm* — Sheppard Mullin Richter & Hampton LLP

(57) **CLAIM**

The ornamental design for a measurement device, as shown and described.

DESCRIPTION

FIG. 1 is a front and right-side perspective view showing the measurement device;

FIG. 2 is a front view thereof;

FIG. 3 is a rear view thereof;

FIG. 4 is a left-side view thereof;

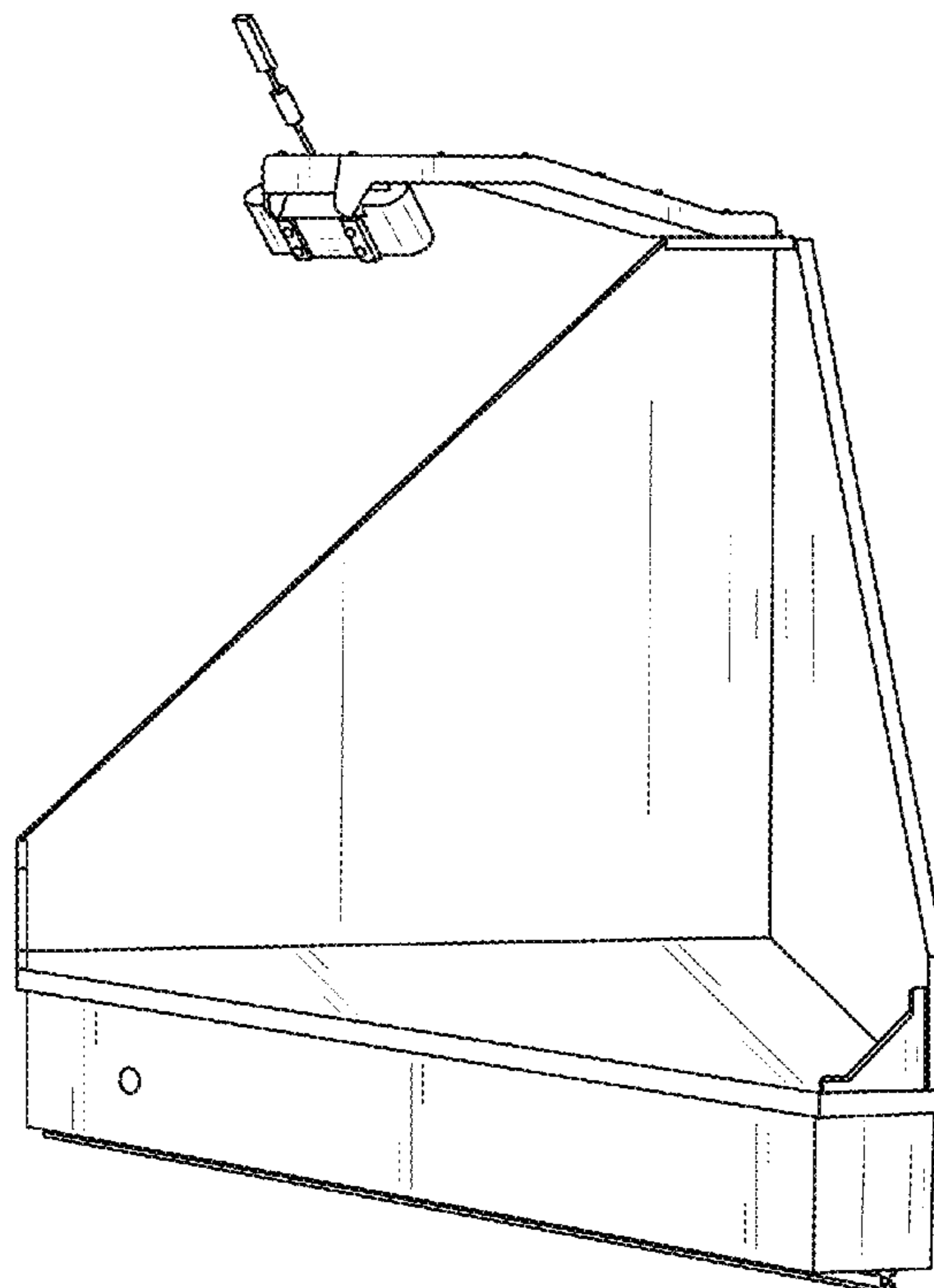
FIG. 5 is a right-side view thereof;

FIG. 6 is a top view thereof; and,

FIG. 7 is a bottom view thereof.

The broken lines in FIGS. 1 through 7 illustrate portions of the measurement device that are not part of the claimed design. Appendix A includes computer-generated images that correspond to FIGS. 1-7.

1 Claim, 7 Drawing Sheets



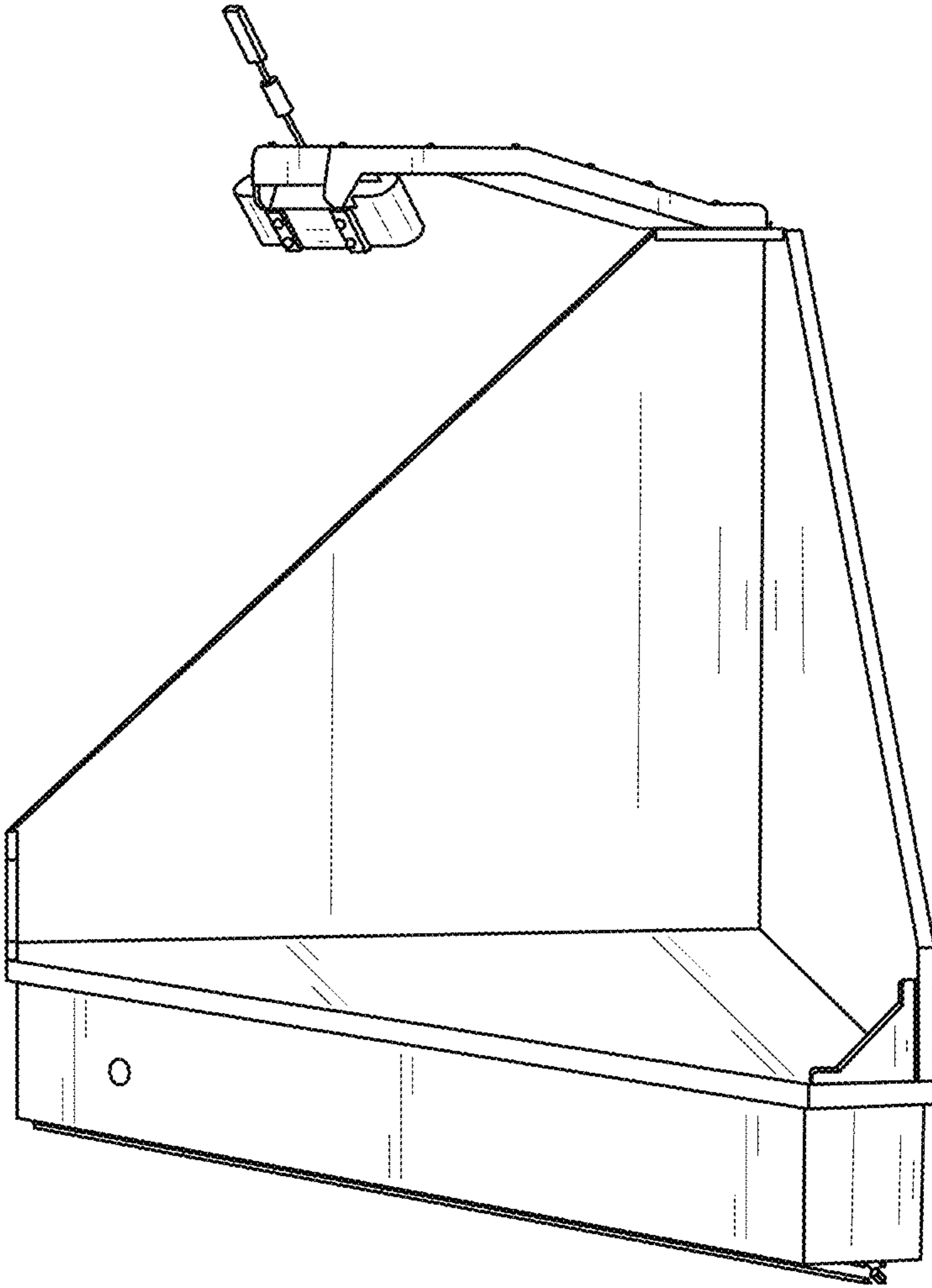


FIG. 1

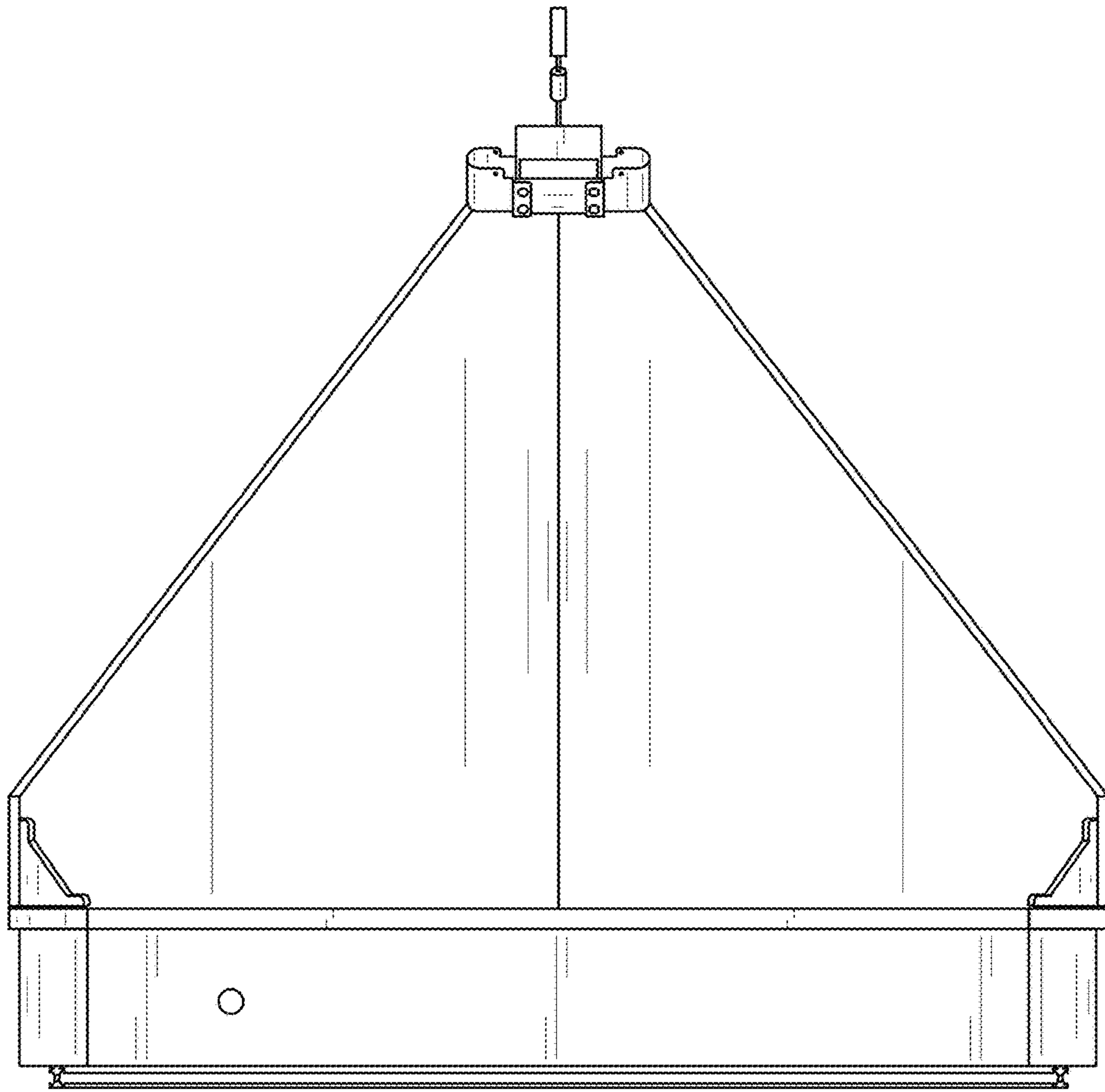


FIG. 2

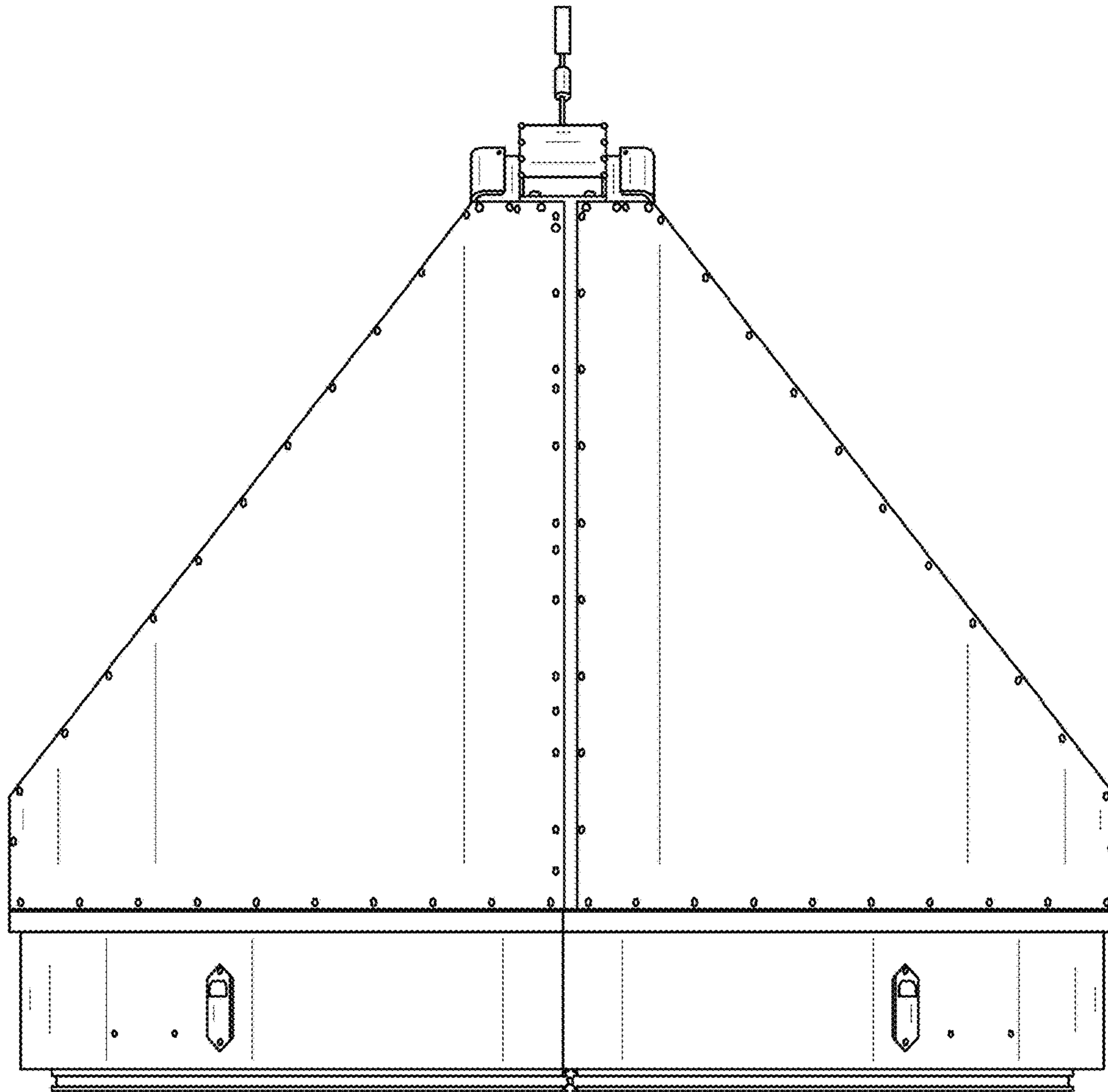


FIG. 3

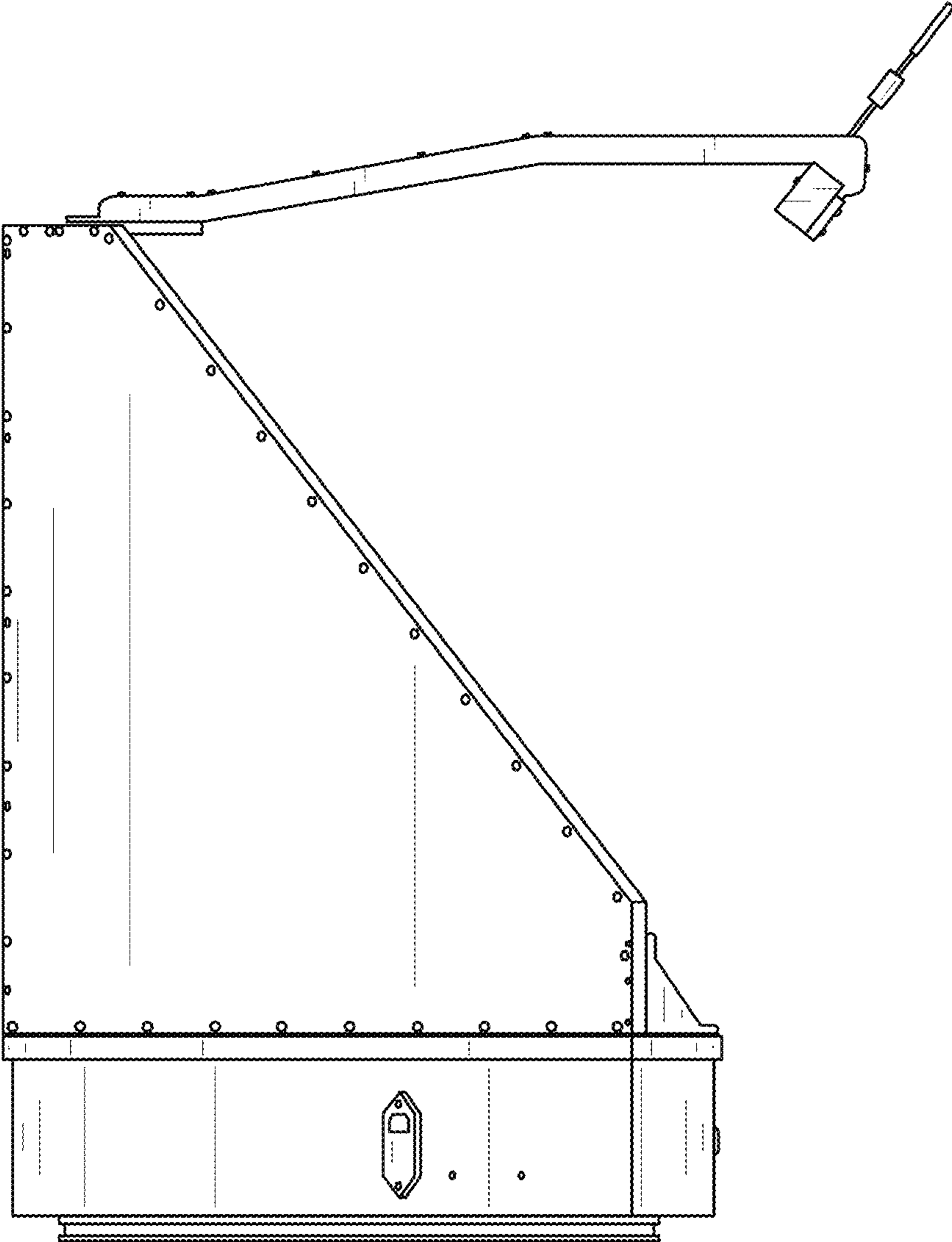


FIG. 4

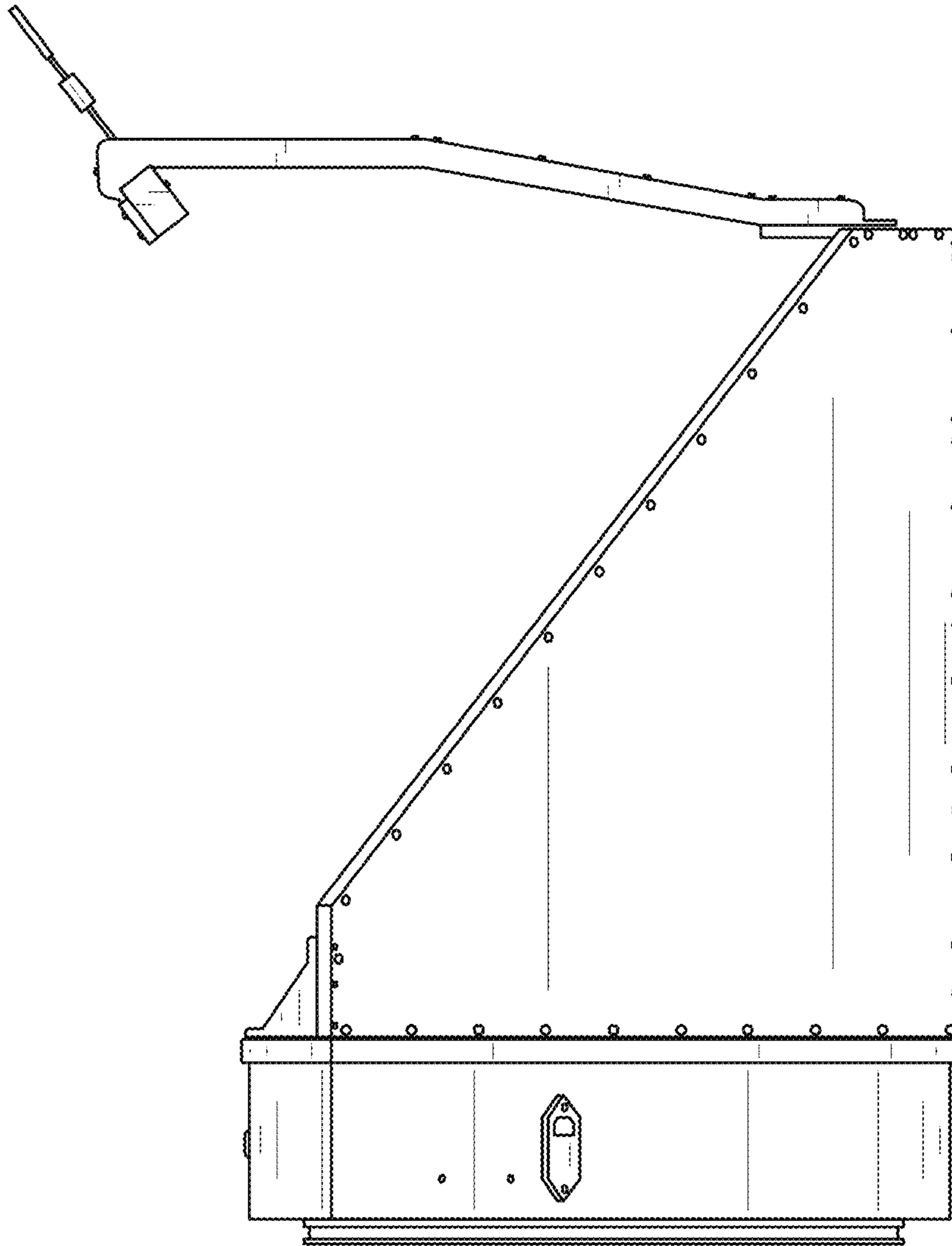


FIG. 5

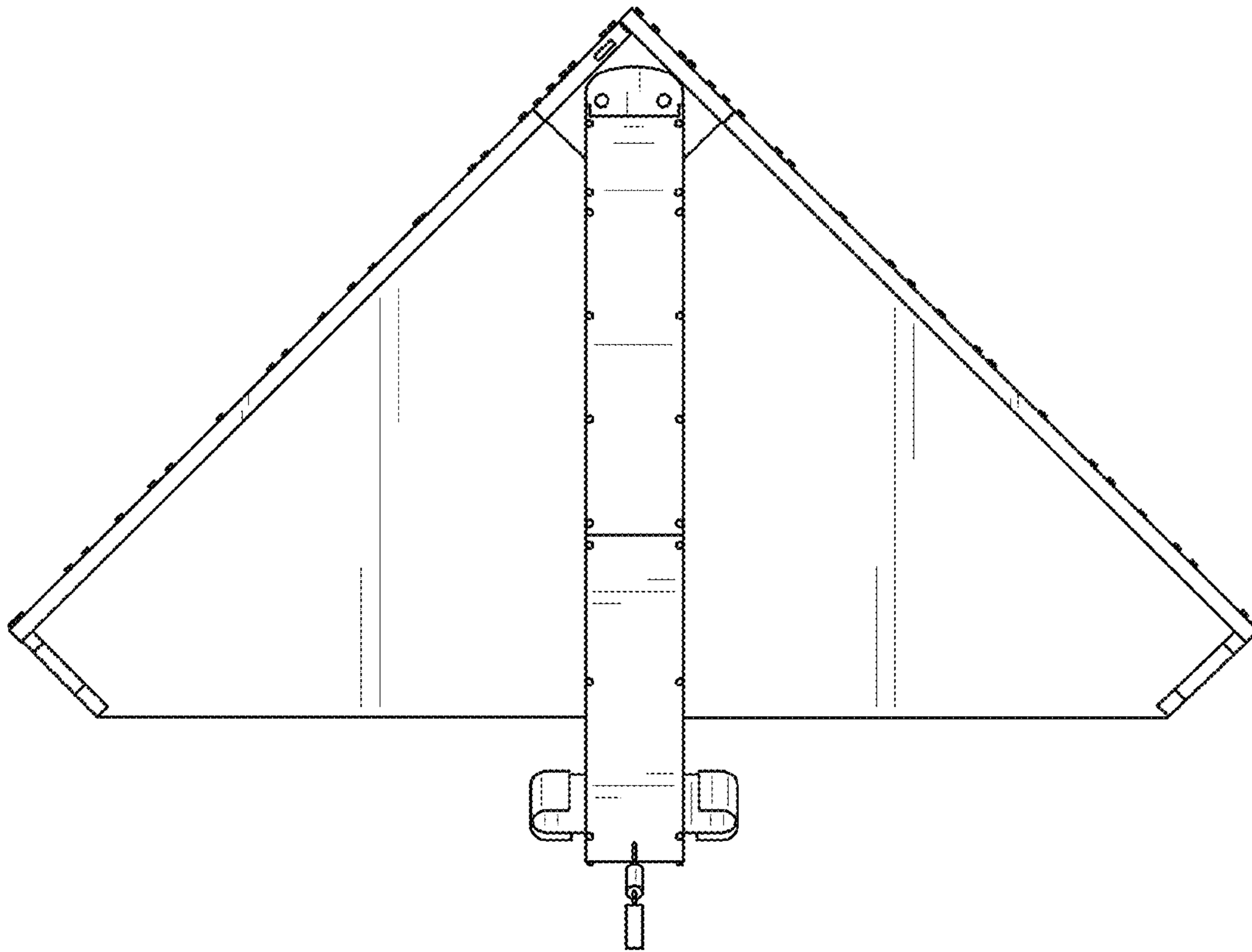


FIG. 6

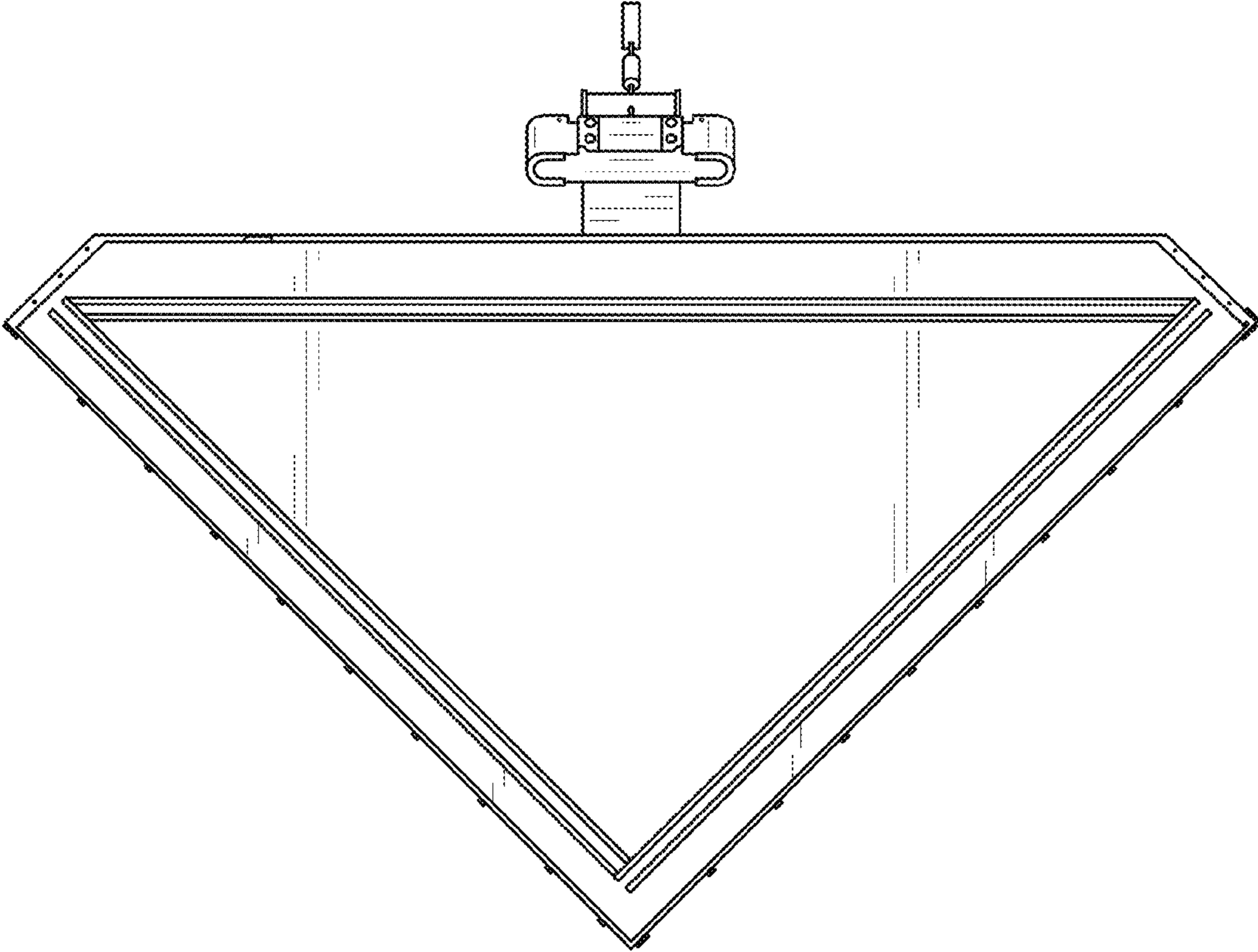


FIG. 7