

US00D860017S

(12) **United States Design Patent**  
**Takimoto**

(10) **Patent No.:** **US D860,017 S**

(45) **Date of Patent:** **\*\* \*Sep. 17, 2019**

(54) **PRESSURE DETECTOR**

FOREIGN PATENT DOCUMENTS

(71) Applicant: **SAGINOMIYA SEISAKUSHO, INC.**,  
Tokyo (JP)

JP 1486624 S 12/2013  
KR 30-0913697-0001 S 7/2017

(72) Inventor: **Kazuya Takimoto**, Sayama (JP)

\* cited by examiner

(73) Assignee: **SAGINOMIYA SEISAKUSHO, INC.**,  
Tokyo (JP)

*Primary Examiner* — Antoine Duval Davis

(\*) Notice: This patent is subject to a terminal disclaimer.

(74) *Attorney, Agent, or Firm* — Studebaker & Brackett  
PC

(\*\*) Term: **15 Years**

(57) **CLAIM**

(21) Appl. No.: **29/639,443**

The ornamental design for a pressure detector, as shown and described.

(22) Filed: **Mar. 6, 2018**

(30) **Foreign Application Priority Data**

Sep. 8, 2017 (JP) ..... 2017-019530

(51) **LOC (12) Cl.** ..... **10-04**

(52) **U.S. Cl.**  
USPC ..... **D10/85**

(58) **Field of Classification Search**  
USPC ..... D10/83-85  
CPC .... G01L 19/14; G01L 19/0084; F25B 49/005;  
F25B 2700/19; G01D 11/24; G01D  
11/245; H01R 4/02; H01R 43/02  
See application file for complete search history.

**DESCRIPTION**

FIG. 1 is a front view of a pressure detector showing my new design;

FIG. 2 is a rear view thereof;

FIG. 3 is a left side view thereof;

FIG. 4 is a right side view thereof;

FIG. 5 is a top plan view thereof;

FIG. 6 is a bottom view thereof;

FIG. 7 is a top, front, right side perspective view thereof;  
and,

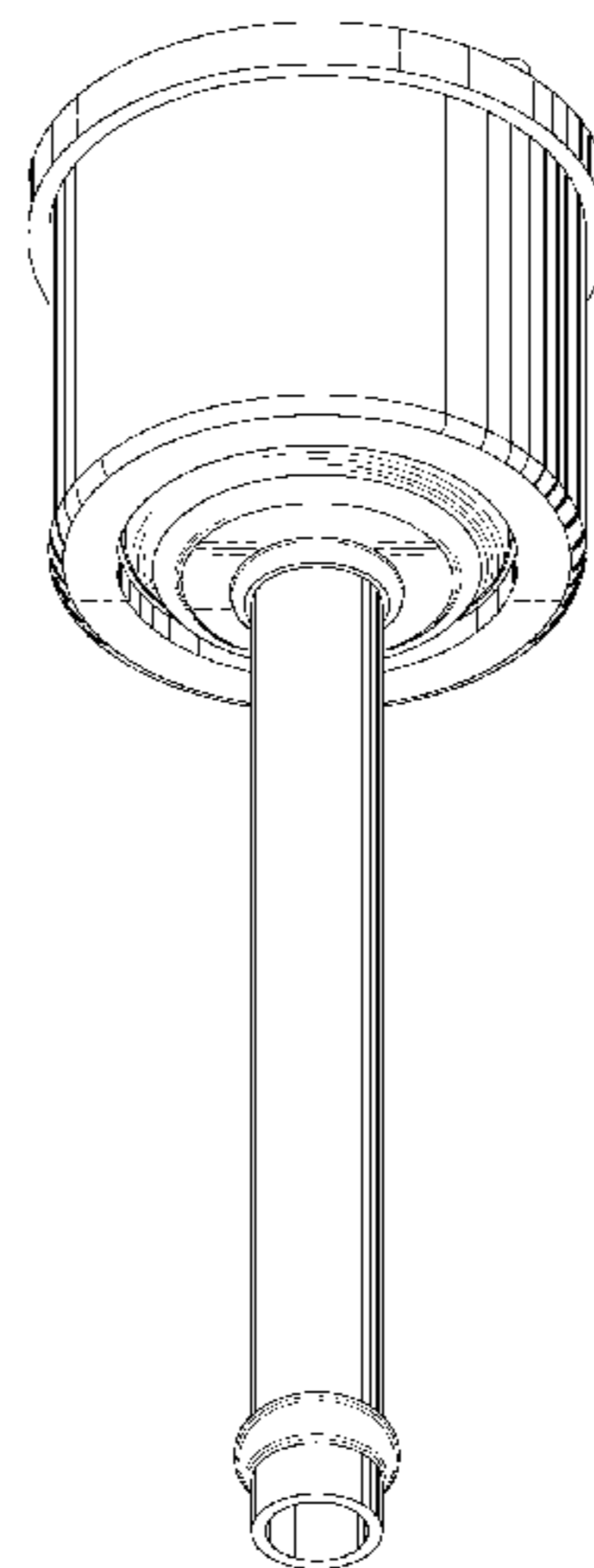
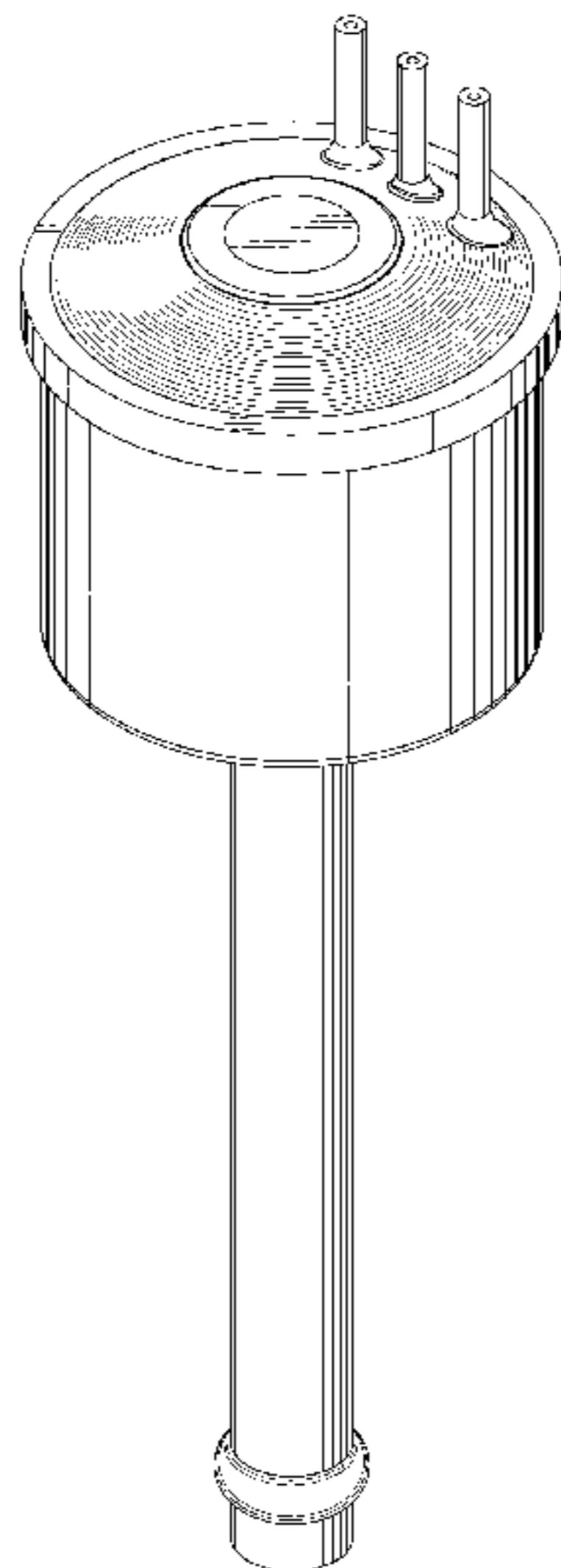
FIG. 8 is a bottom, front, right side perspective view thereof.

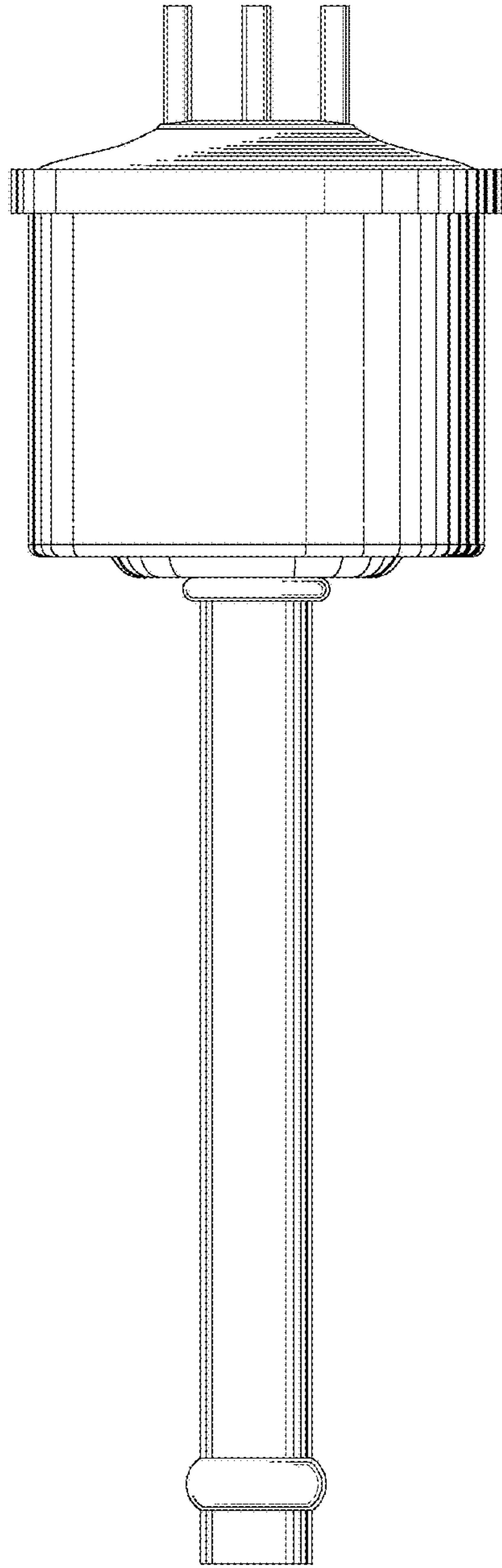
(56) **References Cited**

U.S. PATENT DOCUMENTS

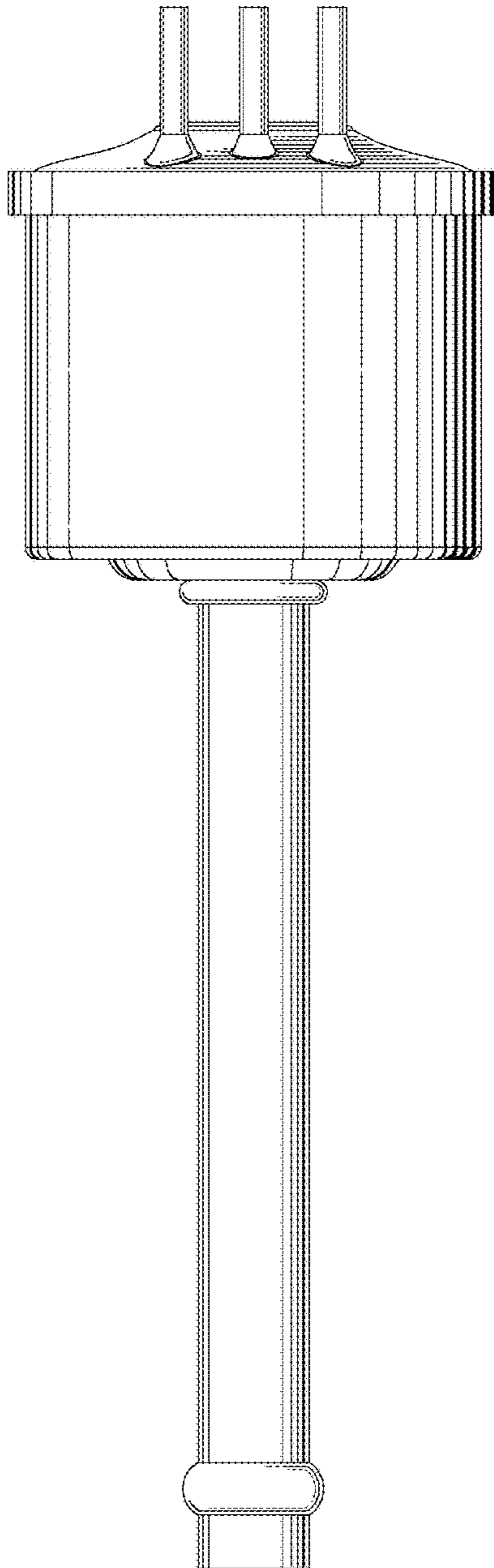
3,543,715 A \* 12/1970 Hill ..... B60C 23/00  
116/34 A  
5,396,803 A \* 3/1995 Ferran ..... G01L 9/0072  
73/718  
D695,140 S \* 12/2013 Ashino ..... D10/85

**1 Claim, 8 Drawing Sheets**

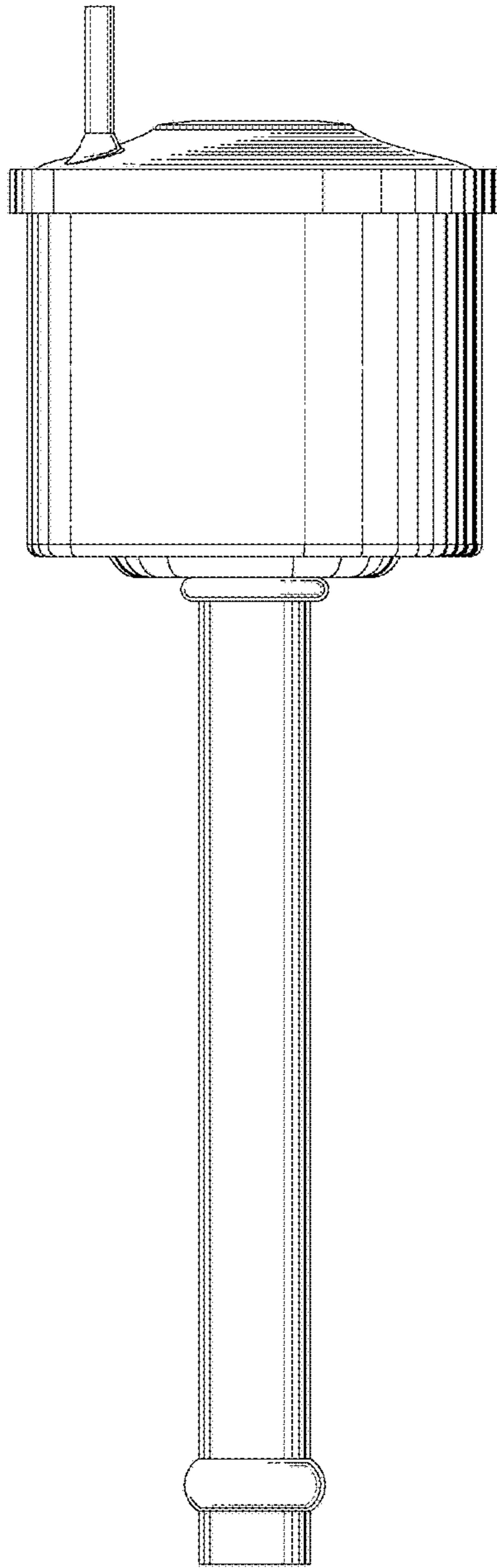




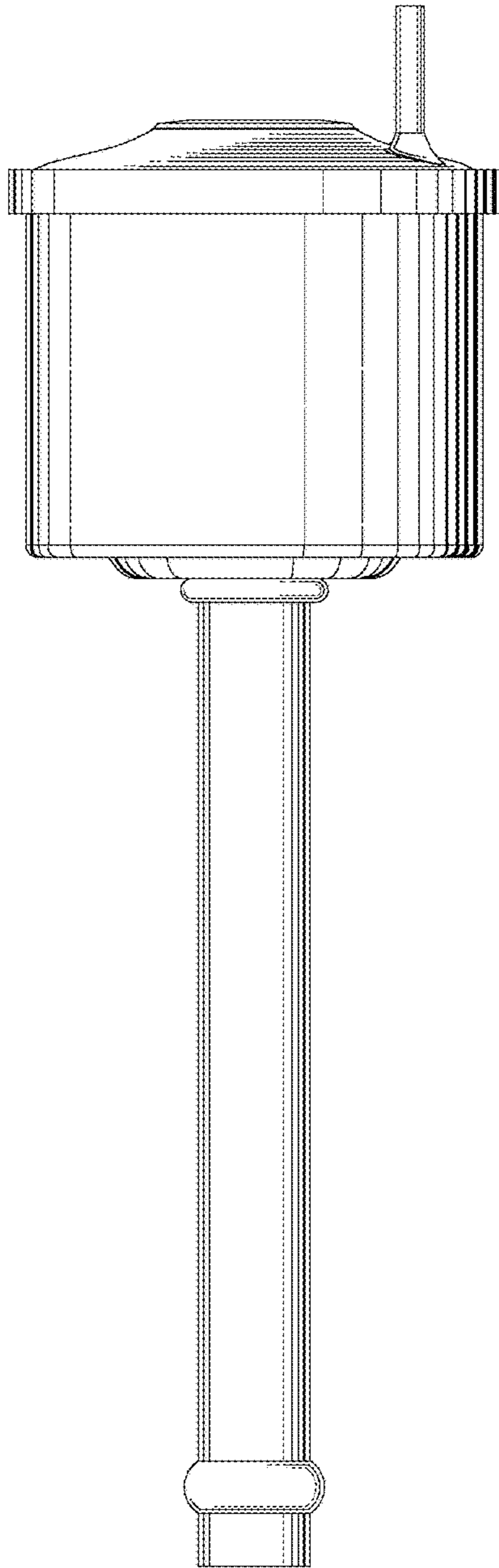
**FIG. 1**



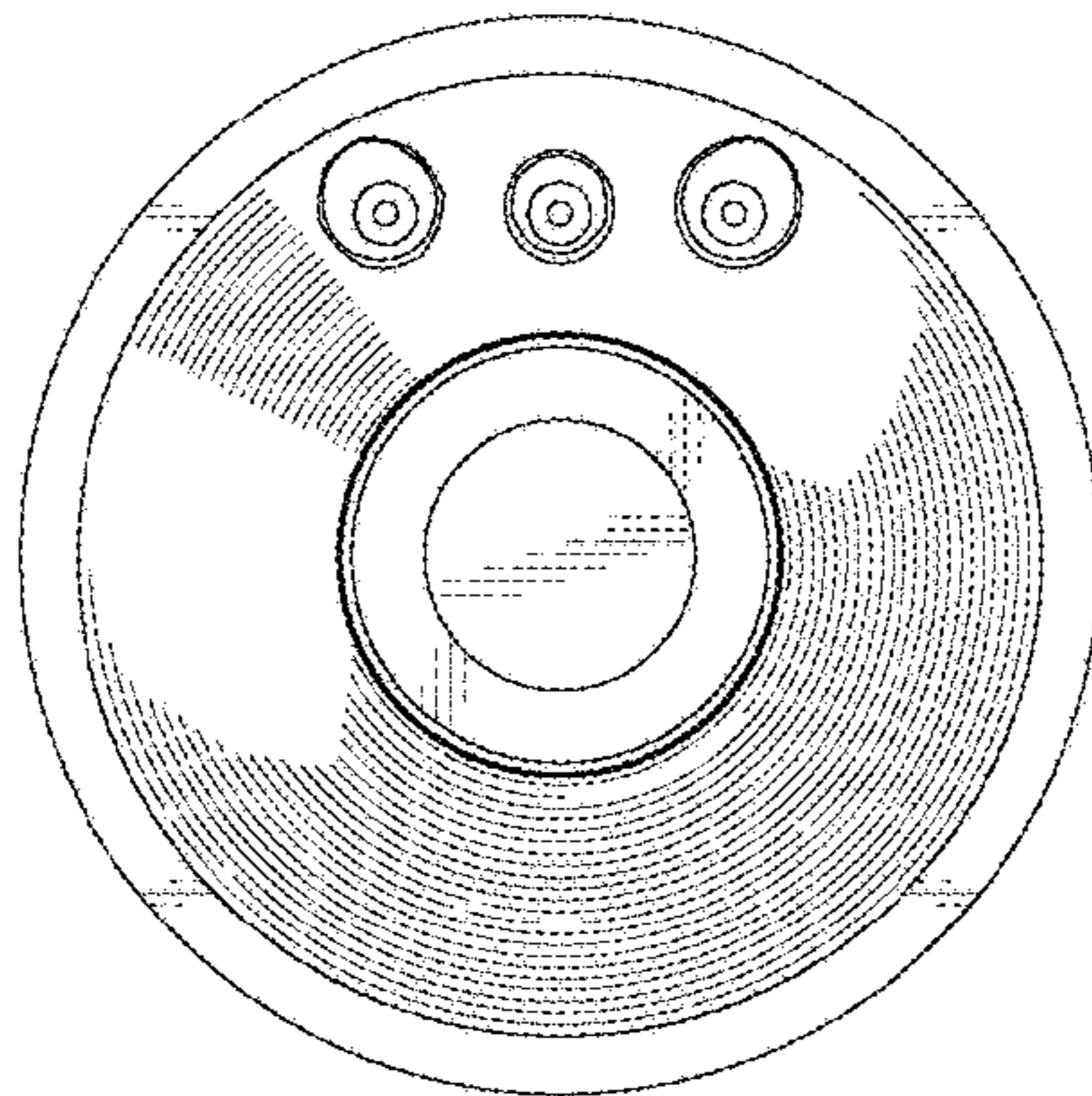
**FIG. 2**



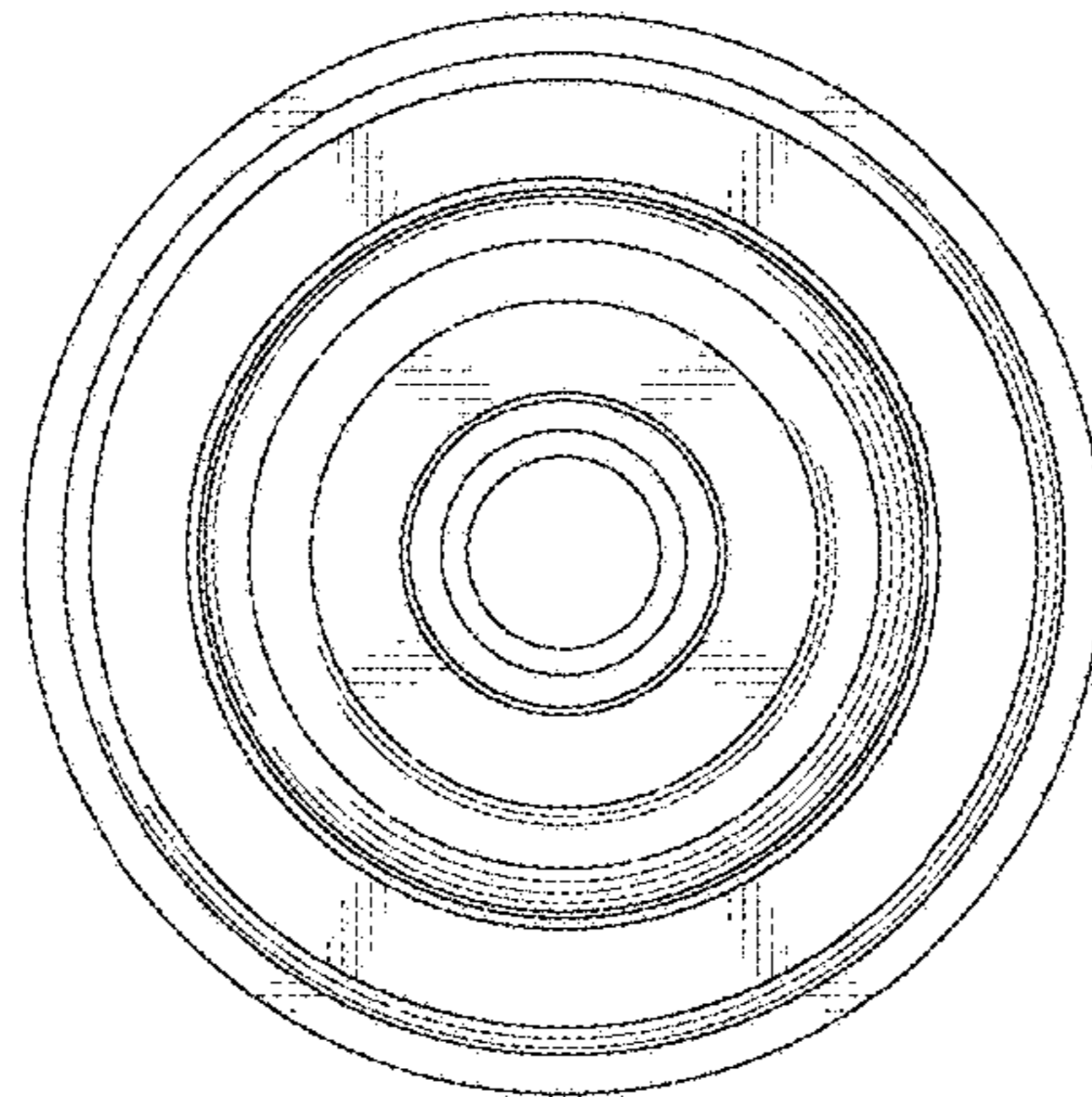
**FIG. 3**



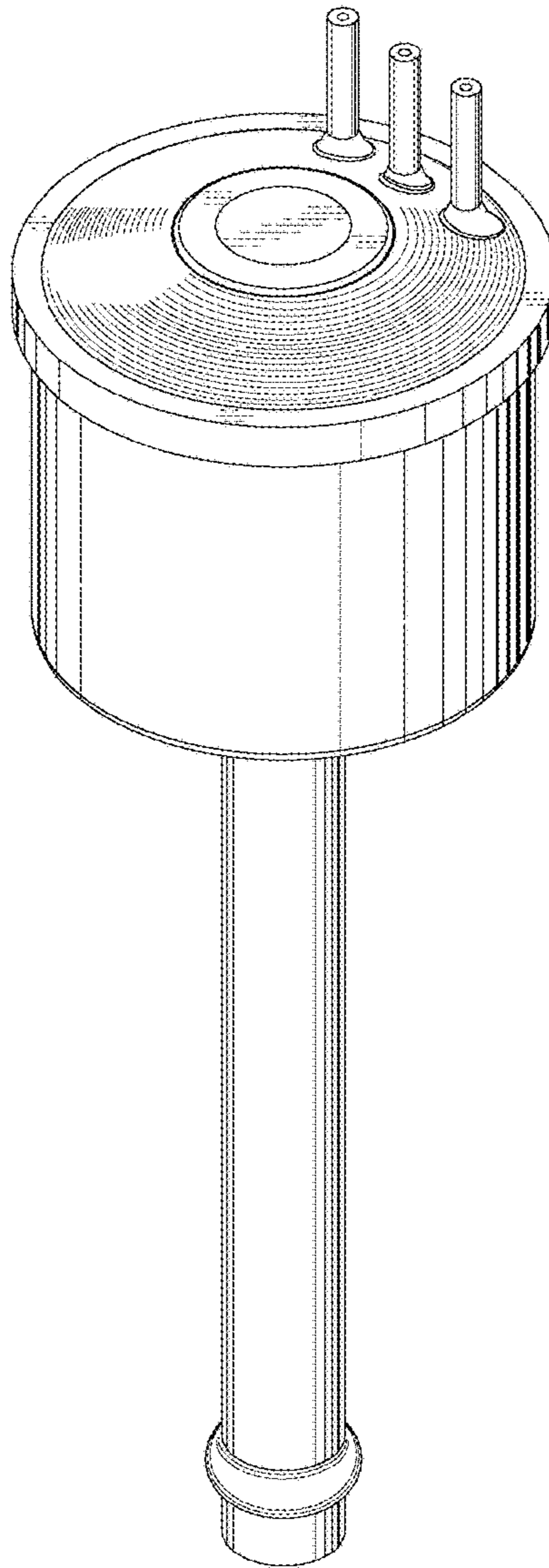
**FIG. 4**



**FIG. 5**

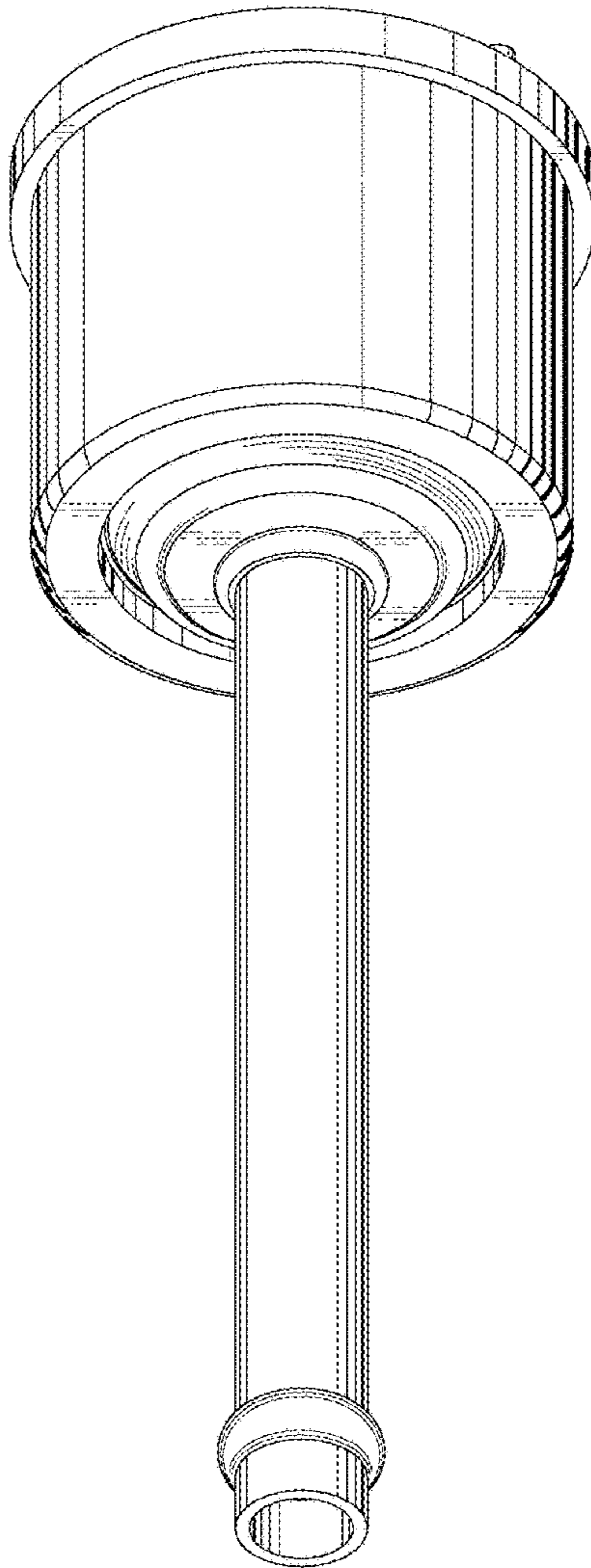


**FIG. 6**



**FIG. 7**





**FIG. 8**