

US00D860015S

(12) **United States Design Patent** (10) **Patent No.:** **US D860,015 S**
Carroll, III (45) **Date of Patent:** **** Sep. 17, 2019**

(54) **HAT MEASURING TAPE**

(71) Applicant: **Stephen W. Carroll, III**, Largo, FL (US)

(72) Inventor: **Stephen W. Carroll, III**, Largo, FL (US)

(73) Assignee: **Fashionable Inc.**, Largo, FL (US)

(**) Term: **15 Years**

(21) Appl. No.: **29/647,731**

(22) Filed: **May 15, 2018**

(51) **LOC (12) Cl.** **10-04**

(52) **U.S. Cl.**
USPC **D10/72**

(58) **Field of Classification Search**
USPC D10/72
CPC G01B 3/10; G01B 3/1002; G01B 3/1041; G01B 2003/1043; G01B 2003/1046; G01B 2003/1048; G01B 2003/1051; G01B 2003/1053–2003/1097; G01B 3/1082; G01B 3/1056; G01B 3/563; G01B 3/566; G01B 3/1071; G01B 2003/1089; G01B 2003/1092; G01B 2003/1079; G01B 2003/1041; G01B 2003/1084; G07B 3/10

See application file for complete search history.

(56) **References Cited**

U.S. PATENT DOCUMENTS

2,471,709 A * 5/1949 Witchger G01B 3/1005
242/402

D311,874 S * 11/1990 Ingram, II D10/72

* cited by examiner

Primary Examiner — Antoine Duval Davis
(74) *Attorney, Agent, or Firm* — Dunlap Bennett & Ludwig PLLC; Brendan E. Squire

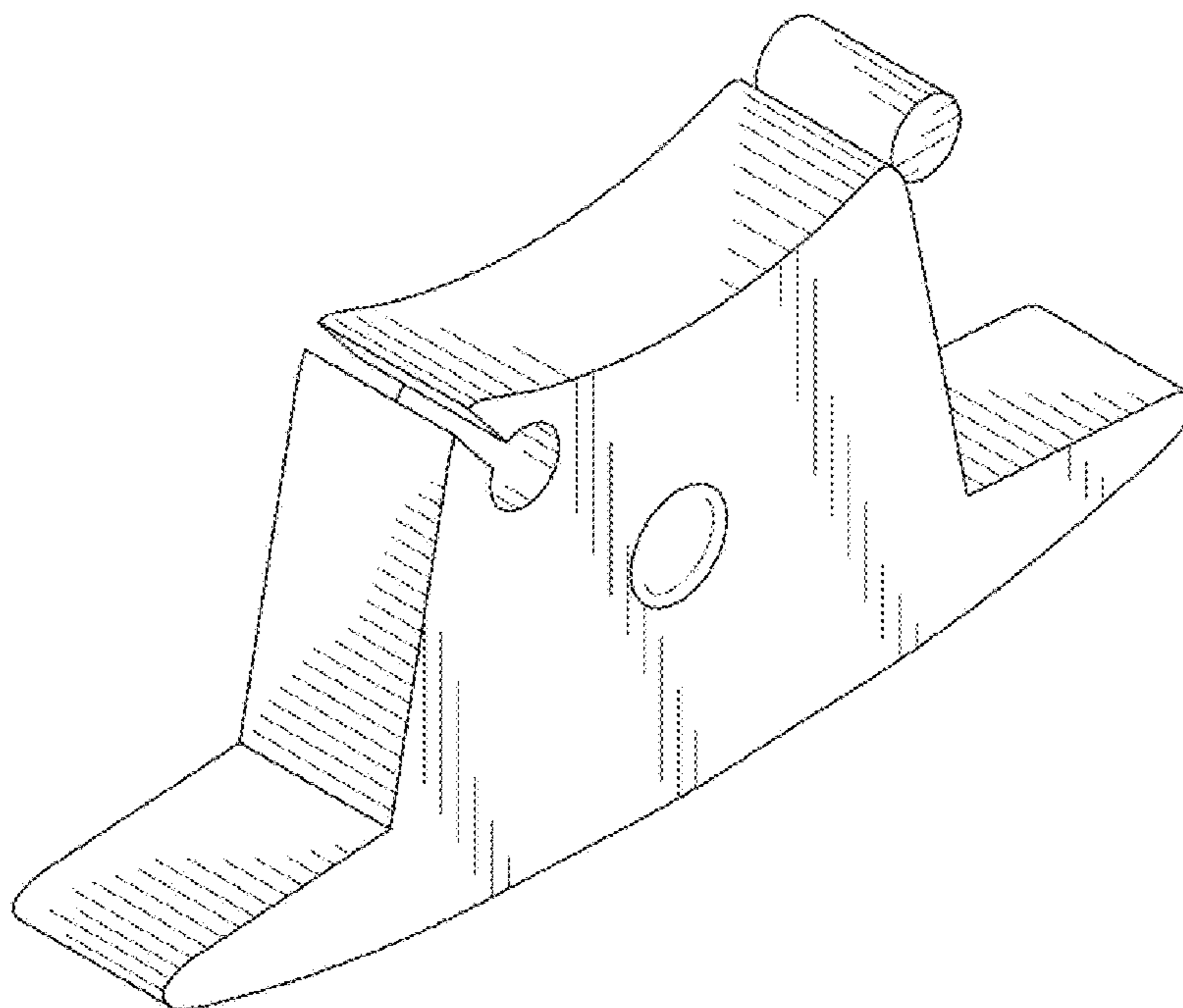
(57) **CLAIM**

The ornamental design for a hat measuring tape, as shown and described.

DESCRIPTION

FIG. 1 is a top front perspective view of a hat measuring tape showing my new design;
FIG. 2 is a front elevation view thereof, with the rear elevation view being a mirror image thereof;
FIG. 3 is a right elevation view thereof;
FIG. 4 is a left elevation view thereof;
FIG. 5 is a top elevation view thereof;
FIG. 6 is a bottom elevation view thereof; and,
FIG. 7 illustrates the hat measuring tape shown in use. The broken lines in FIG. 7 showing the hat measuring tape in use illustrates environment and forms no part of the claim.

1 Claim, 4 Drawing Sheets



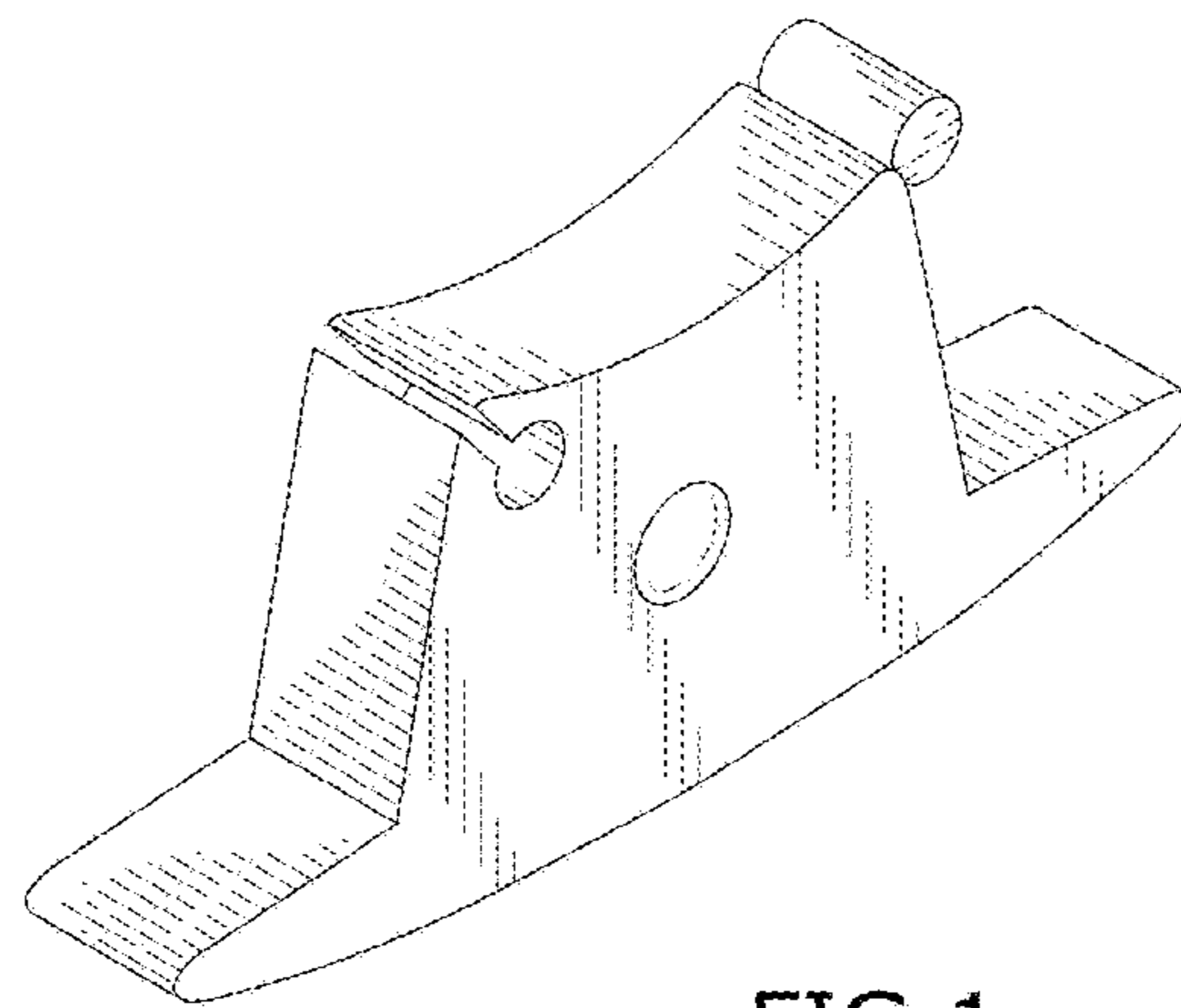


FIG. 1

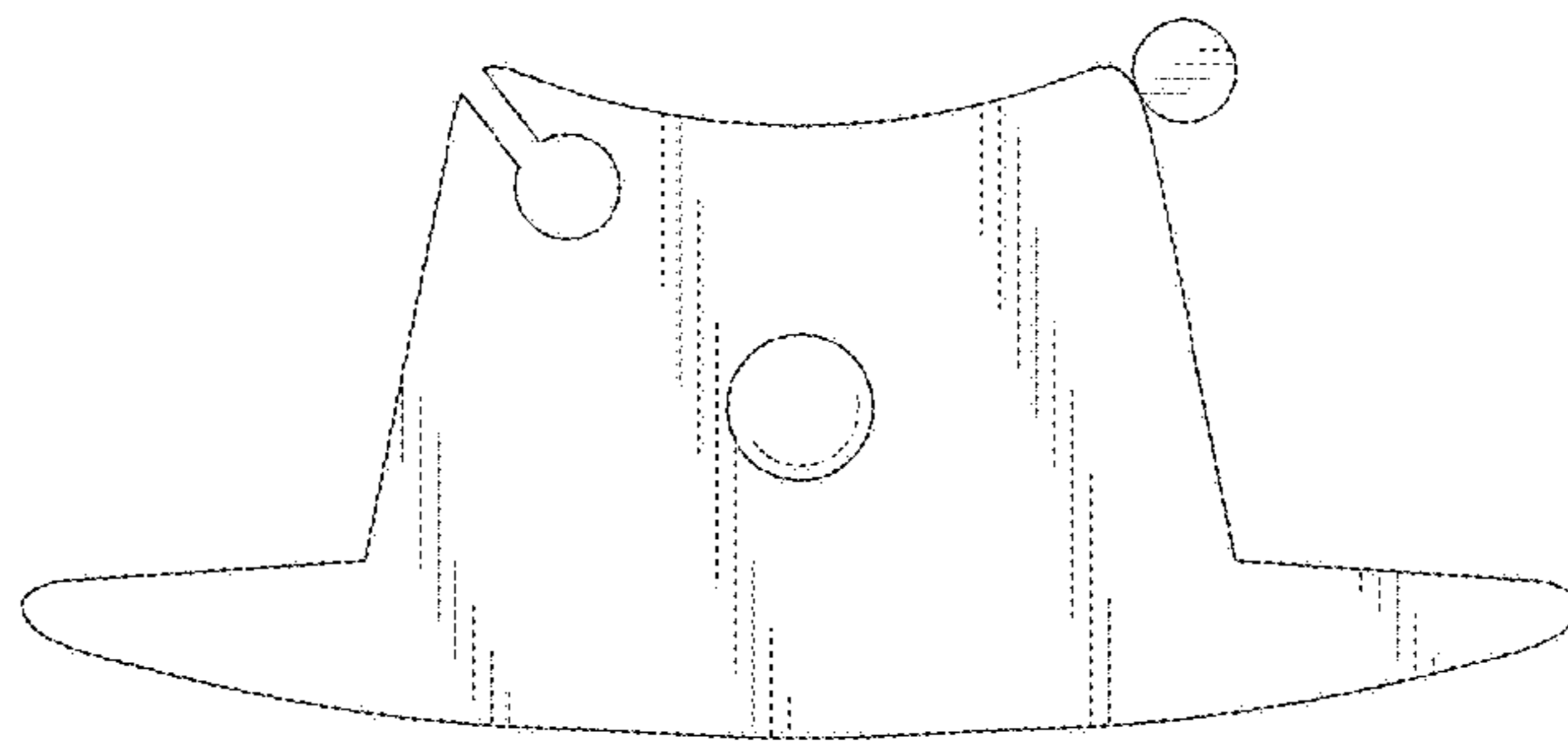


FIG. 2

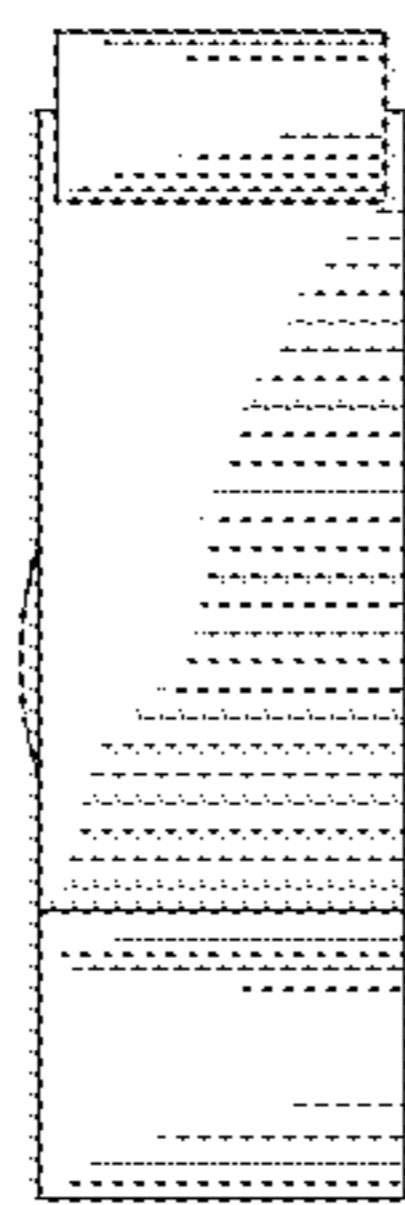


FIG. 3

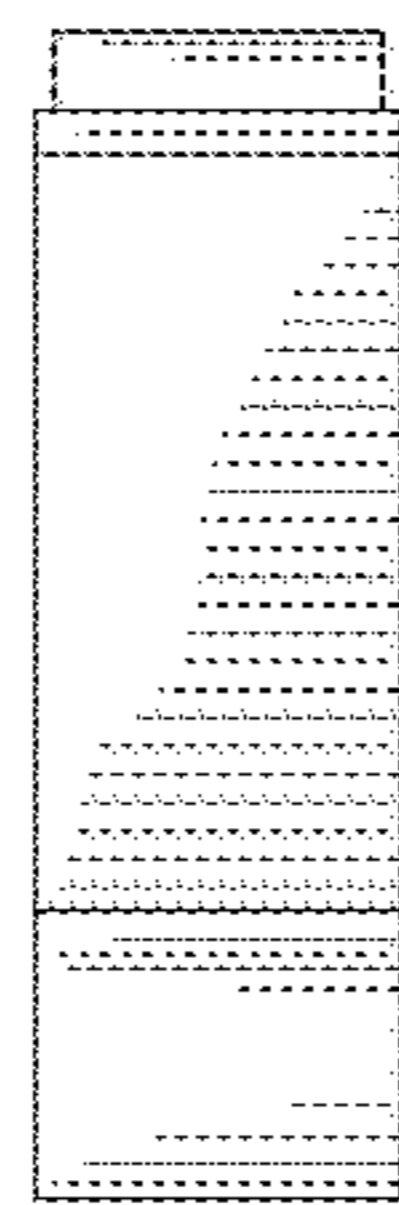


FIG. 4



FIG.5

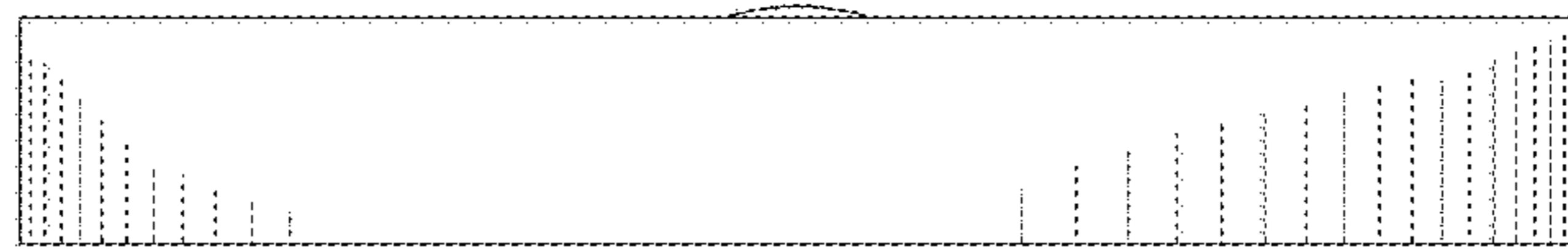


FIG.6

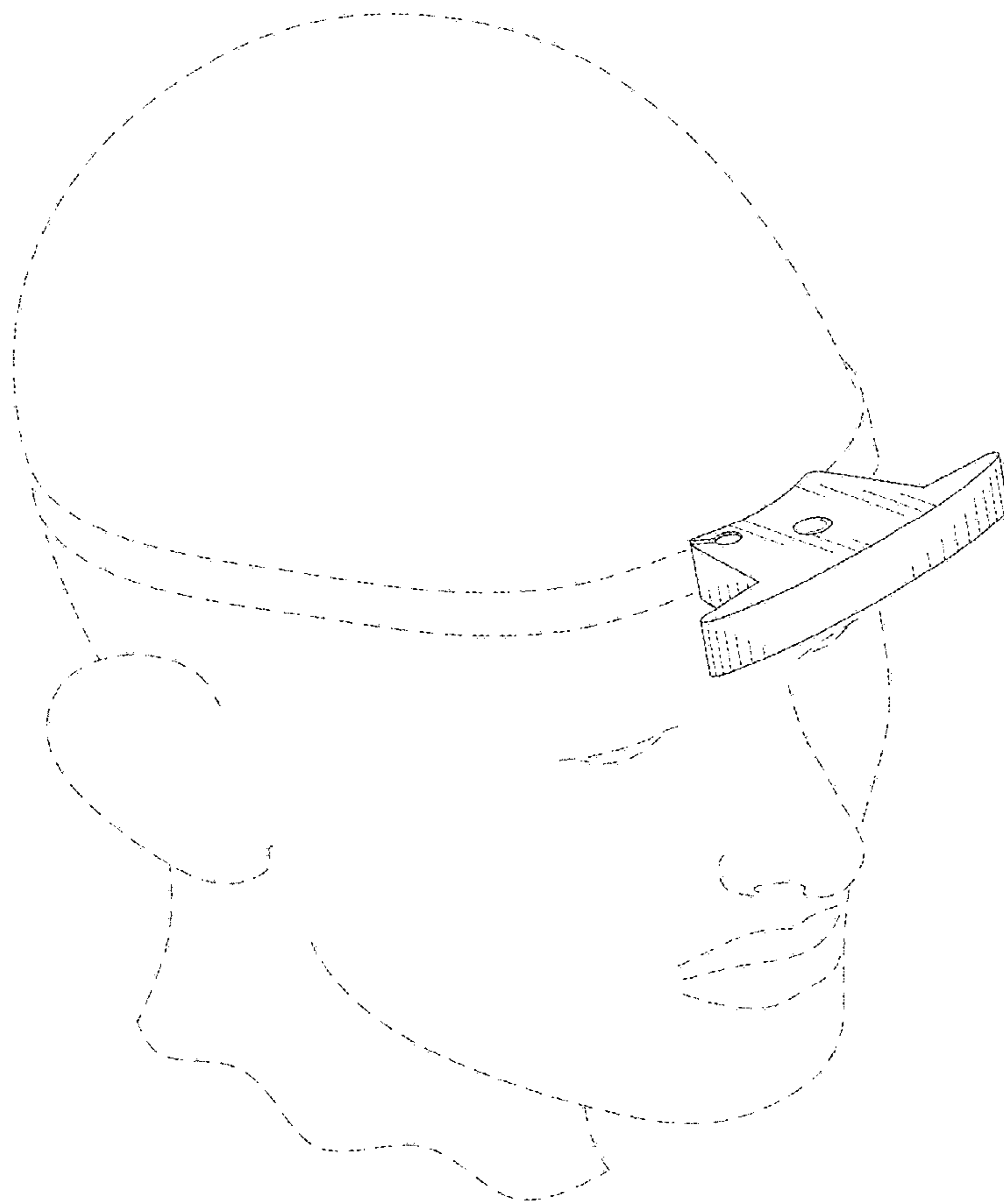


FIG.7