

US00D860012S

(12) **United States Design Patent** (10) **Patent No.:** **US D860,012 S**
Hsieh et al. (45) **Date of Patent:** **** Sep. 17, 2019**

(54) **INTERCHANGEABLE THERMOSTAT COVER**

(71) Applicant: **Johnson Controls, Inc.**, Milwaukee, WI (US)

(72) Inventors: **Gary Hsieh**, Philadelphia, PA (US); **Alexander McAuley**, Geneva (CH); **Robert S. Munin**, Philadelphia, PA (US)

(73) Assignee: **Johnson Controls, Inc.**, Milwaukee, WI (US)

(**) Term: **15 Years**

(21) Appl. No.: **29/668,232**

(22) Filed: **Oct. 29, 2018**

Related U.S. Application Data

(63) Continuation of application No. 29/603,189, filed on May 8, 2017, now Pat. No. Des. 832,121.

(51) **LOC (12) Cl.** **10-04**

(52) **U.S. Cl.**
USPC **D10/60; D13/177**

(58) **Field of Classification Search**
USPC **D10/49, 50, 60; D13/162, 162.1, 173, D13/177**

CPC . **F23N 5/20; F23N 5/203; F23N 5/206; F23N 5/18; F23N 5/184; F23N 5/187; F23N 5/22; F23N 2025/12; F23N 2041/02; F24F 11/00; F24F 11/0012; F24F 11/0009; F24F 11/001; F24F 2011/0057; F24F 2011/0073; F24F 2011/0091; F24F 2011/0094; F24F 2011/0068; F24F 2011/0012; F24F 2011/0015; F24F 2011/0017; F21V 11/16; F21V 33/10; G05B 19/042; G05D 23/01; G05D 23/12; G05D 23/275; G05D 23/1902; G05D 23/1904; G05D 23/27502; G05D 23/27503; G05D 23/1919; G05D 23/19;**

G05D 23/2723; G05D 23/00; G09F 13/22; G09F 9/53; G06F 1/1684; G06F 1/30; G06F 3/0362; G06F 3/038; H05B 33/0854; H05B 37/0218; H05K 5/0017; H05K 5/0243; H05K 5/00; H05K 5/03; H04M 2250/12; H04M 2250/22

See application file for complete search history.

(56) **References Cited**

U.S. PATENT DOCUMENTS

D613,626 S	4/2010	Wang
D664,453 S	7/2012	Roddy
D667,739 S	9/2012	Saitou
D712,756 S	9/2014	Rump et al.
D716,158 S	10/2014	Baumgartner et al.
D723,948 S	3/2015	Baumgartner et al.
D780,699 S	3/2017	Zhang
D810,591 S	2/2018	Ribbich et al.

(Continued)

Primary Examiner — Antoine Duval Davis

(74) *Attorney, Agent, or Firm* — Foley & Lardner LLP

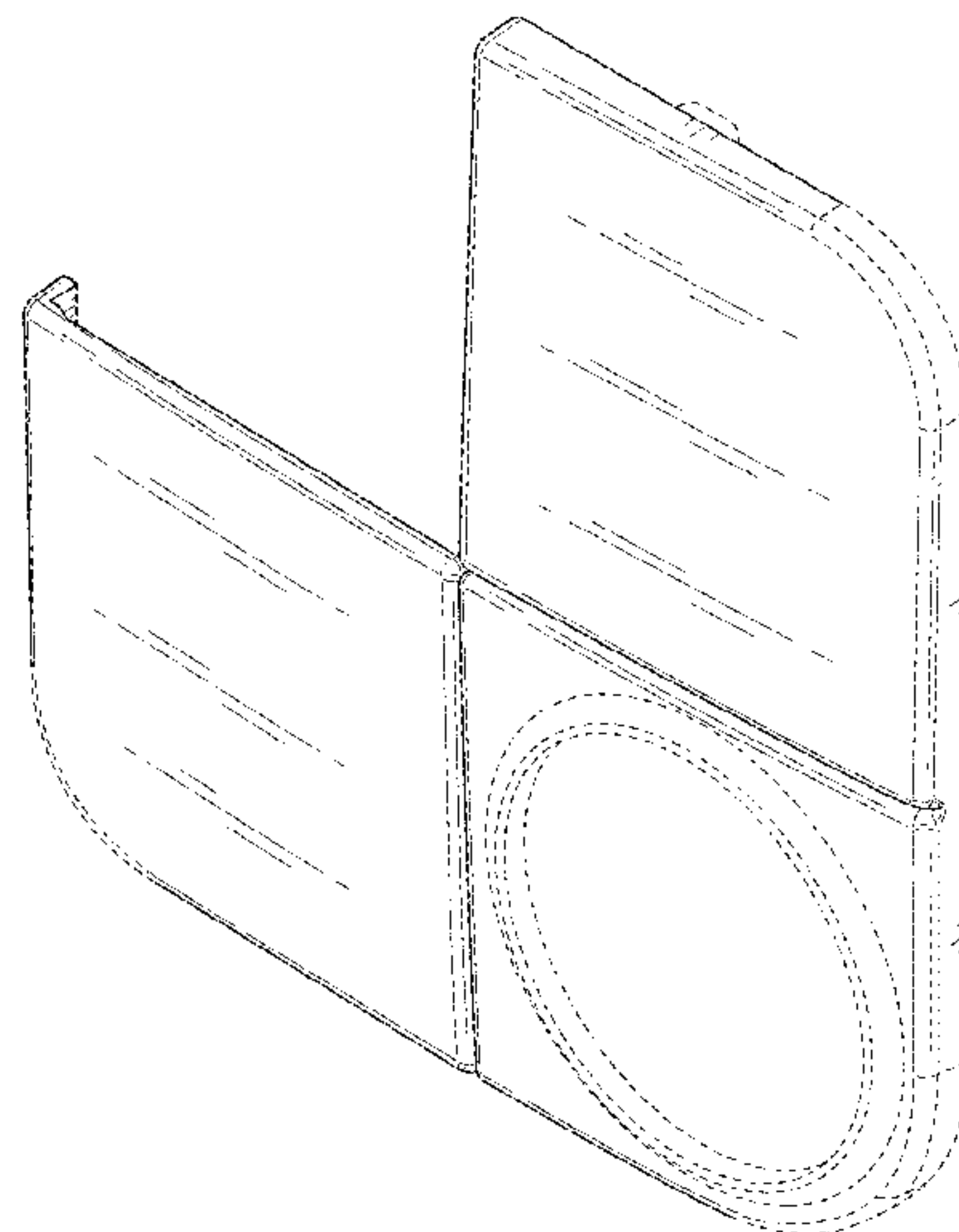
(57) **CLAIM**

We claim the ornamental design for an interchangeable thermostat cover, as shown and described.

DESCRIPTION

FIG. 1 is a front perspective view of an interchangeable thermostat cover;
FIG. 2 is a top plan view thereof;
FIG. 3 is a front elevational view thereof;
FIG. 4 is a bottom plan view thereof;
FIG. 5 is a right side elevational view thereof;
FIG. 6 is a left side elevational view thereof; and,
FIG. 7 is a rear elevational view thereof.
The broken lines in the figures are for the purpose of showing environmental structure, are for illustrative purposes only, and form no part of the claimed design.

1 Claim, 4 Drawing Sheets



(56)

References Cited

U.S. PATENT DOCUMENTS

D813,823 S *	3/2018	Zhang	D13/162
D832,121 S *	10/2018	Hsieh	D10/60
D839,215 S *	1/2019	Odegard	D13/162
D842,712 S *	3/2019	Swanson	D10/50

* cited by examiner

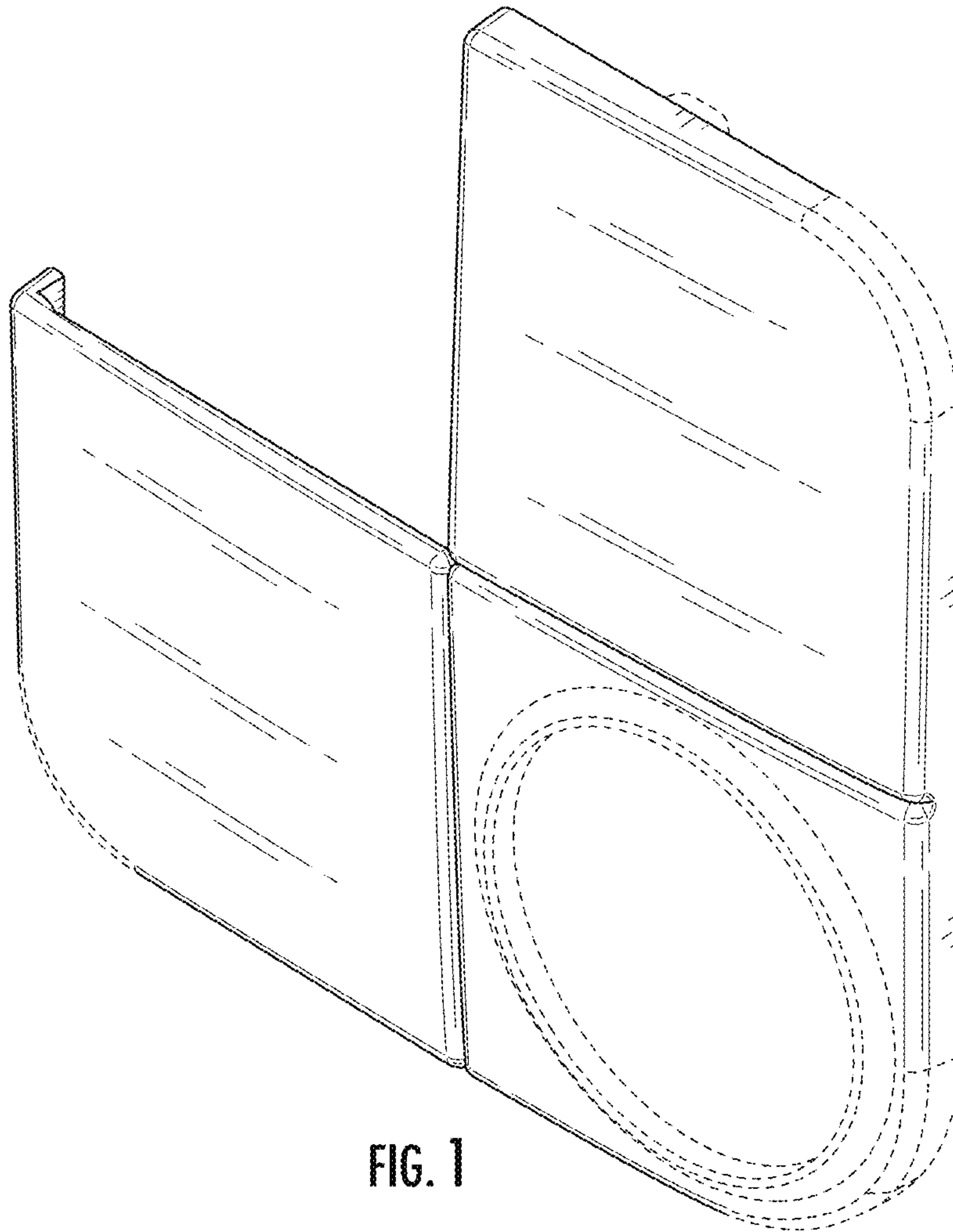


FIG. 1

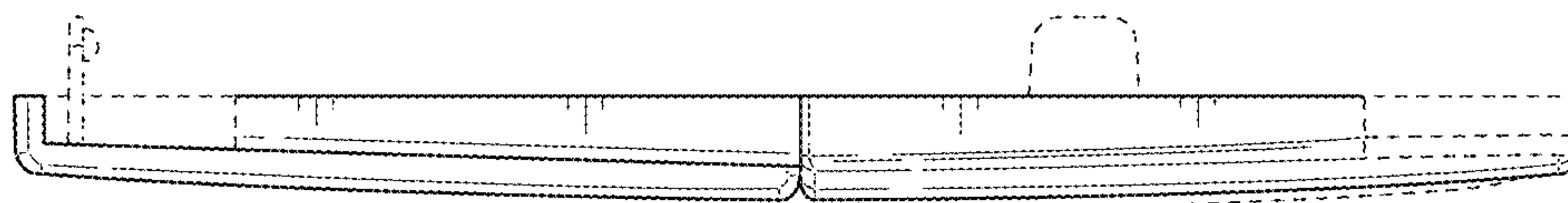


FIG. 2

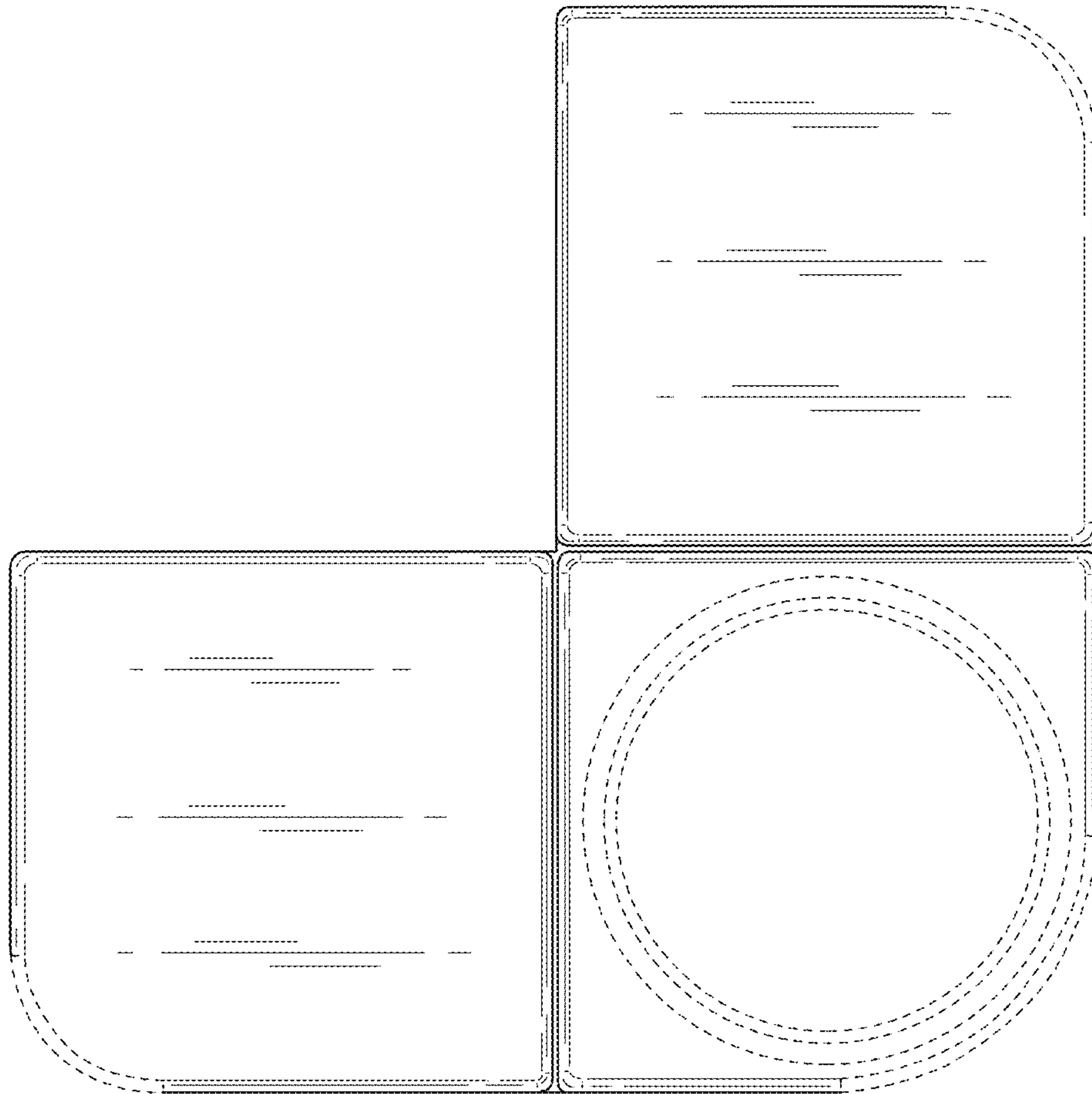


FIG. 3

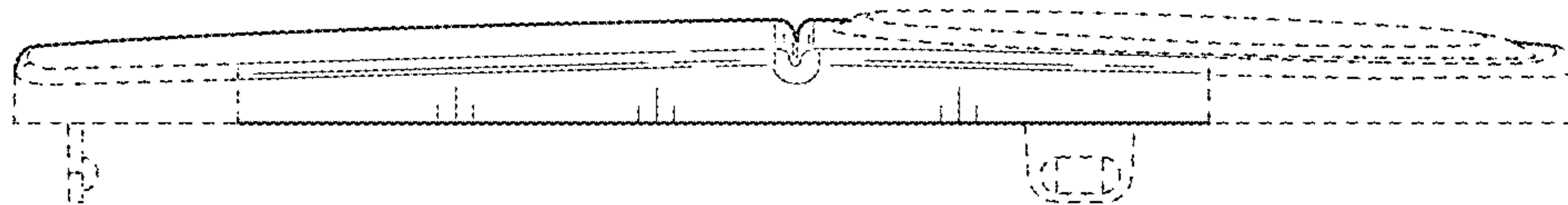


FIG. 4

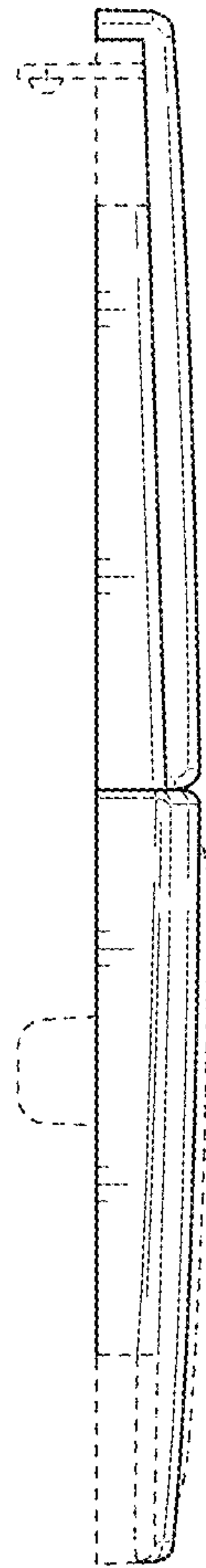


FIG. 5

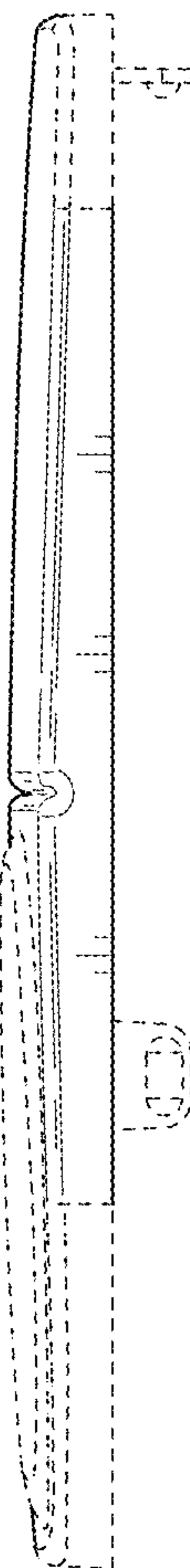


FIG. 6

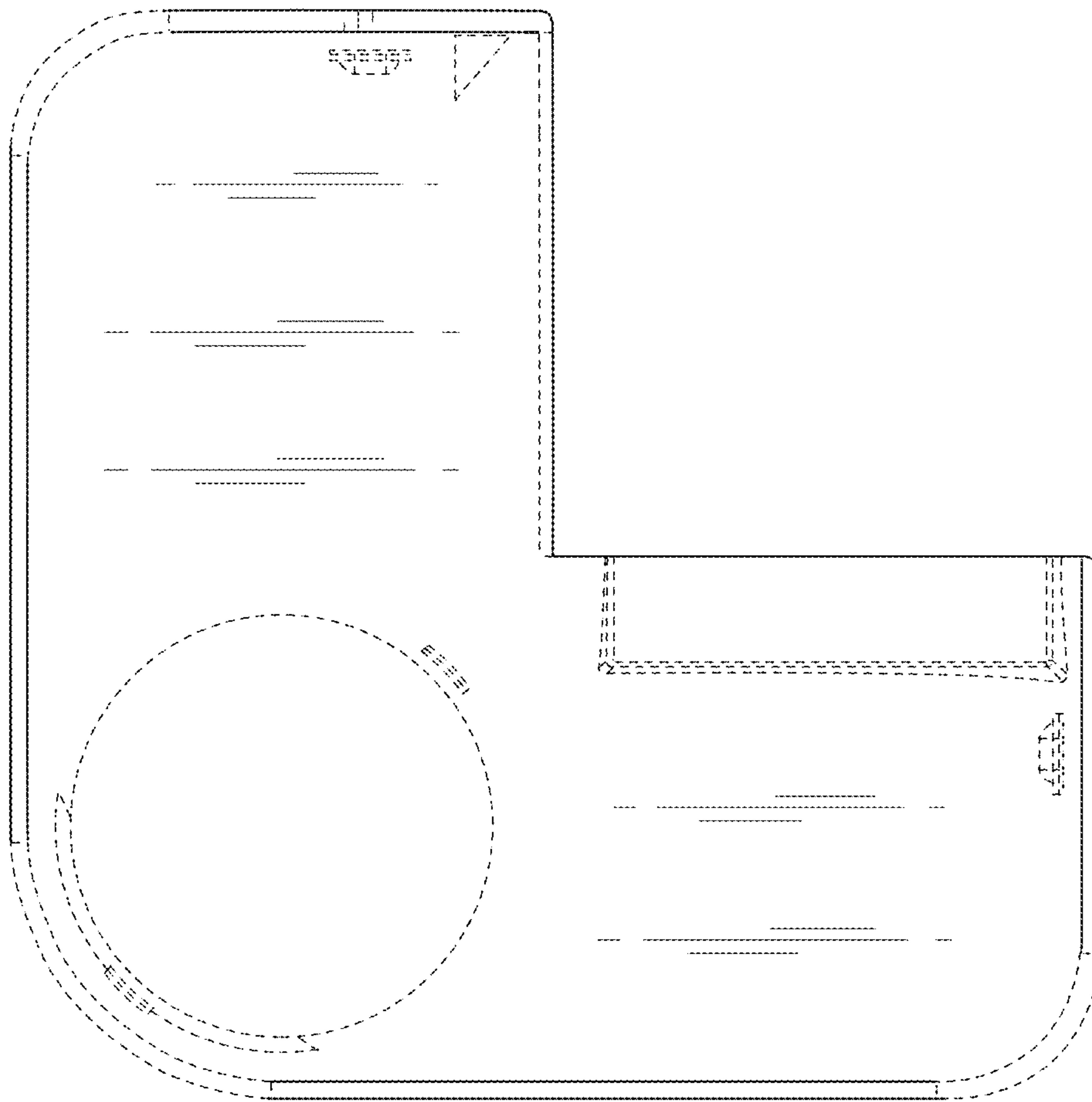


FIG. 7