

US00D860008S

(12) **United States Design Patent** (10) **Patent No.:** **US D860,008 S**
Favre (45) **Date of Patent:** **** Sep. 17, 2019**

(54) **WATCH**

D562,156 S * 2/2008 Pozzan D10/39
D586,668 S * 2/2009 Dias D10/38
D607,758 S * 1/2010 Hegi D10/39

(Continued)

(71) Applicant: **Richemont International SA,**
Villars-sur-Glane (CH)

FOREIGN PATENT DOCUMENTS

(72) Inventor: **Lionel Favre,** Ambilly (FR)

WO D0752880004 12/2010
WO D0752880007 12/2010

(73) Assignee: **Richemont International SA,**
Villars-sur-Glane (CH)

(Continued)

(**) Term: **15 Years**

OTHER PUBLICATIONS

(21) Appl. No.: **29/610,433**

Roger Dubuis Excaliber 42 Automatic | posted at watchtime.com
Nov. 2012 © 2018 Ebner Publishing International, Inc [online][site
visited Jun. 14, 2018]. Available from internet: <[https://www.
watchtime.com/watch-to-watch/roger-dubuis-excalibur-automatic/](https://www.watchtime.com/watch-to-watch/roger-dubuis-excalibur-automatic/)>
(Year: 2012).*

(22) Filed: **Jul. 12, 2017**

(Continued)

(30) **Foreign Application Priority Data**

Jan. 13, 2017 (WO) DM/094463

(51) **LOC (12) Cl.** **10-02**

(52) **U.S. Cl.**

USPC **D10/39**

(58) **Field of Classification Search**

USPC D10/30-39, 42, 122-124, 126, 128;
D11/3; D14/344; D99/28, 99; D24/167,
D24/186

See application file for complete search history.

Primary Examiner — Sandra S Snapp

Assistant Examiner — Katherine Glennon

(74) *Attorney, Agent, or Firm* — Taft Stettinius &
Hollister LLP

(57)

CLAIM

The ornamental design for a watch, as shown and described.

DESCRIPTION

(56) **References Cited**

U.S. PATENT DOCUMENTS

D10,625 S * 4/1878 Ager D10/126
D78,044 S * 3/1929 Streng D10/1
D295,837 S * 5/1988 Takeichi D10/39
D415,693 S * 10/1999 Kennedy D10/30
D473,473 S * 4/2003 Wunderman D10/32
D528,443 S * 9/2006 Bedat D10/39
D547,211 S * 7/2007 Dias D10/39
D547,212 S * 7/2007 Dias D10/39
D555,015 S * 11/2007 Parmigiani D10/38
D555,517 S * 11/2007 Dias D10/38

FIG. 1 is a front elevational view of a watch showing my
new design;

FIG. 2 is a back elevational view thereof;

FIG. 3 is a right side elevational view thereof;

FIG. 4 is a left side elevational view thereof;

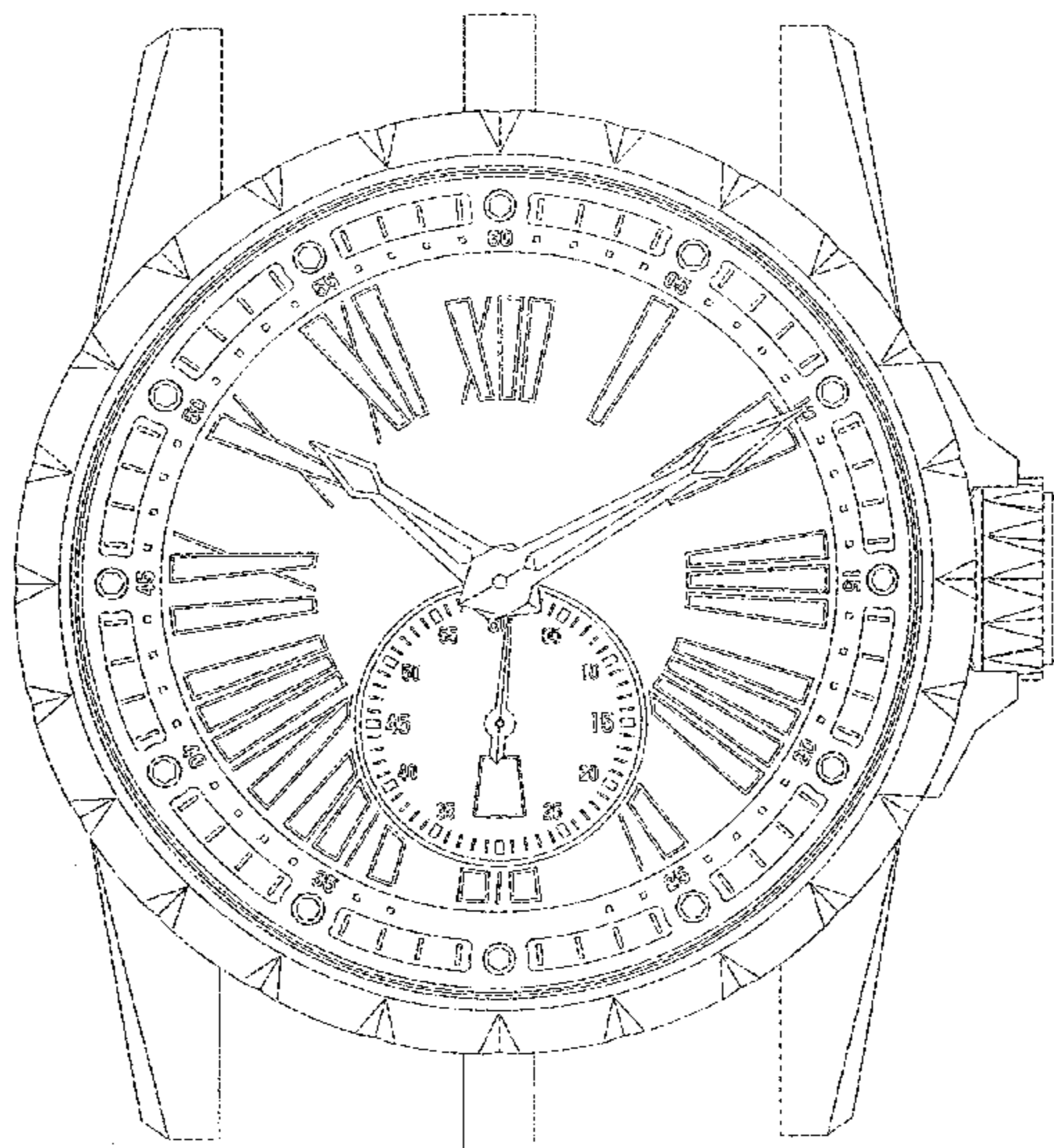
FIG. 5 is a bottom plan view thereof;

FIG. 6 is a top plan view thereof; and,

FIG. 7 is a front, right side perspective view thereof.

The broken lines showing portions of the watch form no part
of the claimed design.

1 Claim, 7 Drawing Sheets



(56)

References Cited

U.S. PATENT DOCUMENTS

D614,514 S * 4/2010 Laucella D10/39
 D616,323 S * 5/2010 Duport D10/126
 D616,782 S * 6/2010 Chastaingt D10/126
 D620,381 S * 7/2010 Rabassa D10/126
 D620,814 S * 8/2010 Duport D10/38
 D620,826 S * 8/2010 Duport D10/126
 D621,736 S * 8/2010 Duport D10/126
 D628,499 S * 12/2010 Duport D10/38
 D649,890 S * 12/2011 Favre D10/38
 D651,928 S * 1/2012 Favre D10/126
 D677,186 S * 3/2013 Favre D10/123
 D698,687 S * 2/2014 Boulangeot D10/126
 D711,751 S * 8/2014 Laucella D10/39
 D714,661 S * 10/2014 Calvani D10/39
 D718,648 S * 12/2014 Calvani D10/126
 D724,446 S * 3/2015 Favre D10/124
 D728,403 S * 5/2015 Calvani D10/126
 D729,638 S * 5/2015 Favre D10/38
 D756,259 S * 5/2016 Nguyen-Tang D10/126

D843,229 S * 3/2019 Miodrag D10/39
 D843,231 S * 3/2019 Manzoni D10/39
 D843,233 S * 3/2019 Torre D10/39

FOREIGN PATENT DOCUMENTS

WO D0776810004 12/2011
 WO D0776850003 1/2012
 WO D0837410001 6/2014

OTHER PUBLICATIONS

Roger Dubuis Excaliber Al Hilal Edition | posted at en.worldtempus.com Apr. 2017 © 2018, Worldtempus [online][site visited Jun. 14, 2018]. Available from internet: <<http://en.worldtempus.com/article/watches/trends-and-style/roger-dubuis-excalibur-al-hilal-edition-23852.html>> (Year: 2017).*

Roger Dubuis Excalibur Essential | posted at chinese.ablogtwatch.com Oct. 2017 © 2007-2016 aBlogtoWatch [online][site visited Jun. 14, 2018]. Available from internet: <<http://chinese.ablogtwatch.com/roger-dubuis-excalibur-essential/>> (Year: 2017).*

* cited by examiner

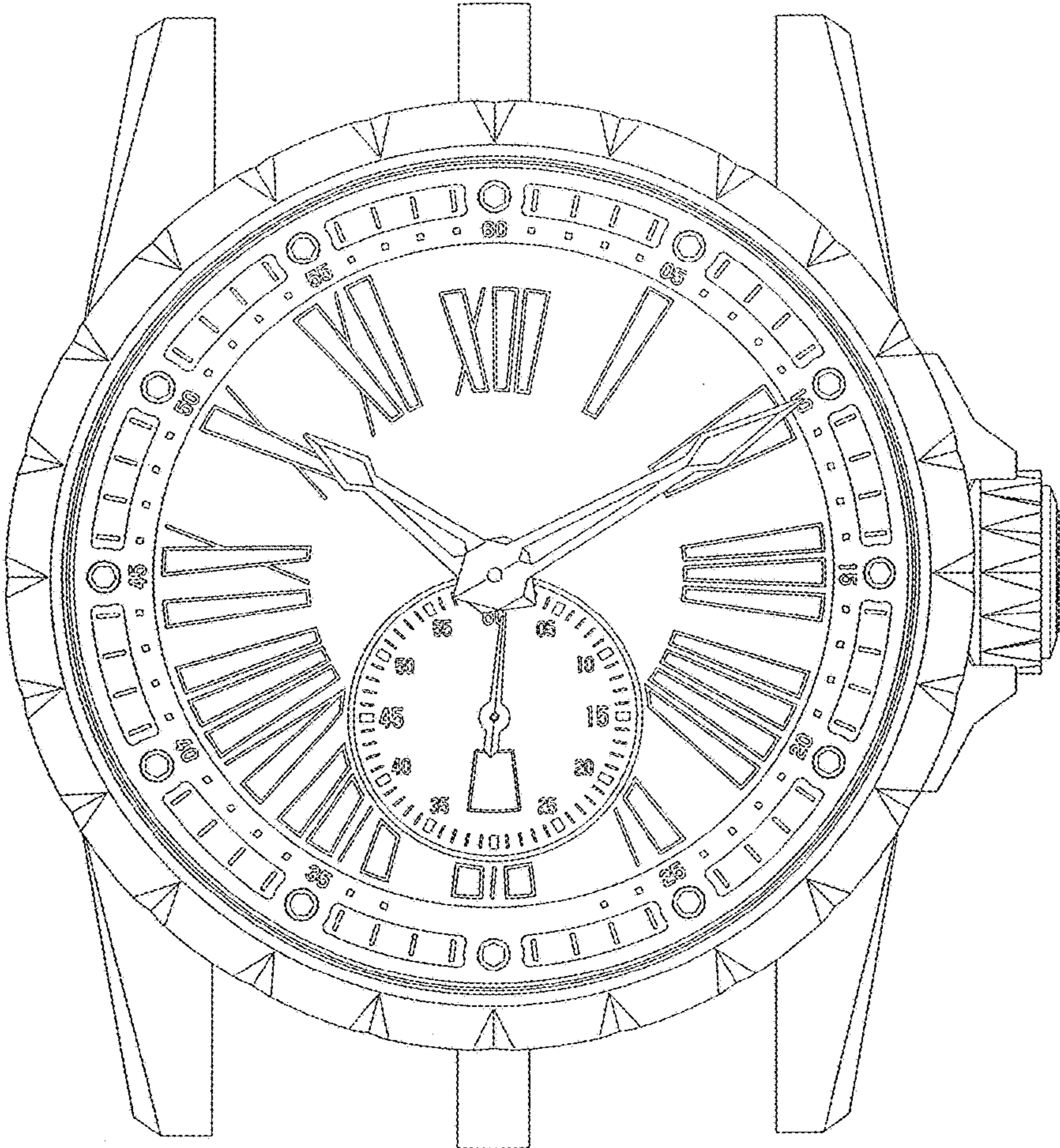


Fig. 1

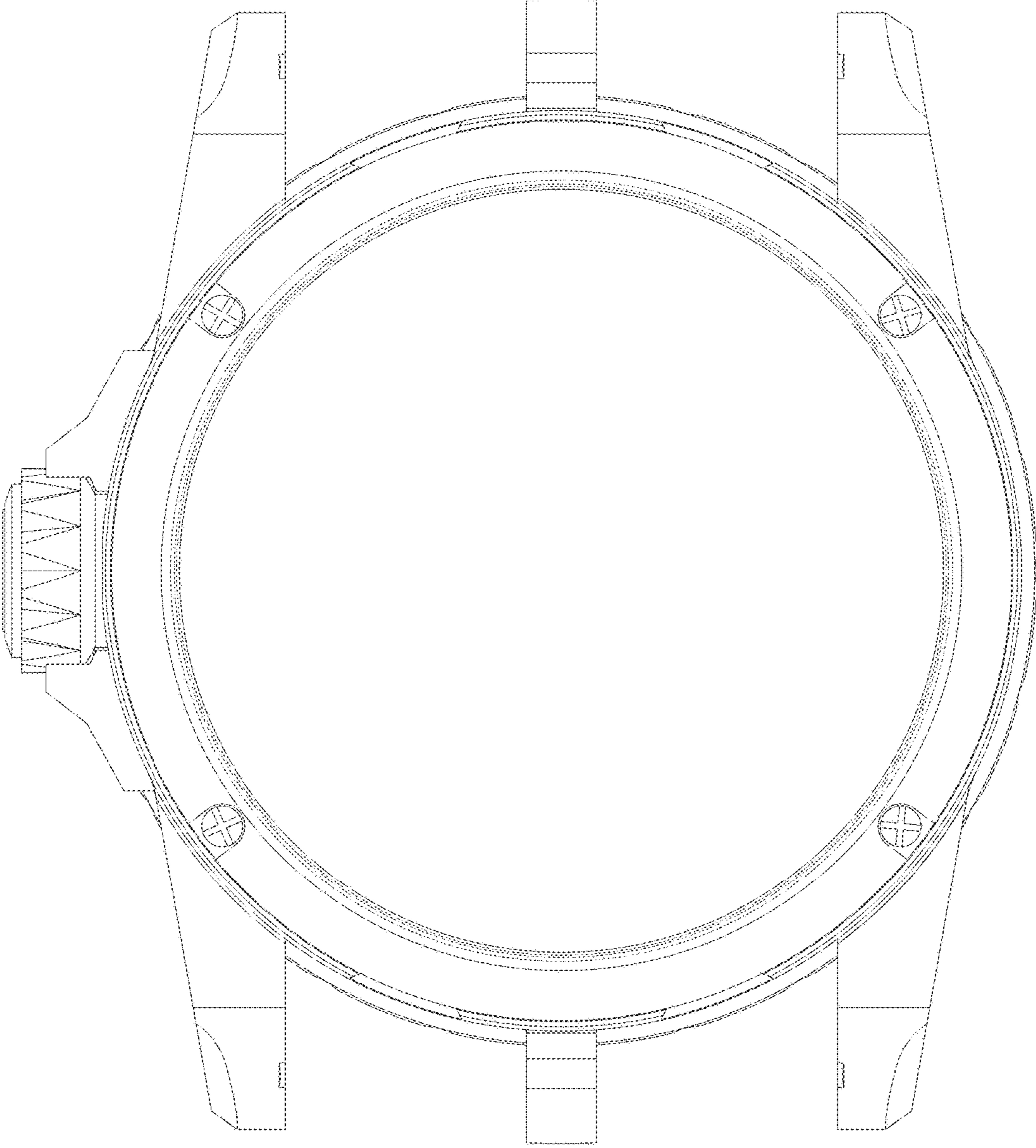


Fig. 2

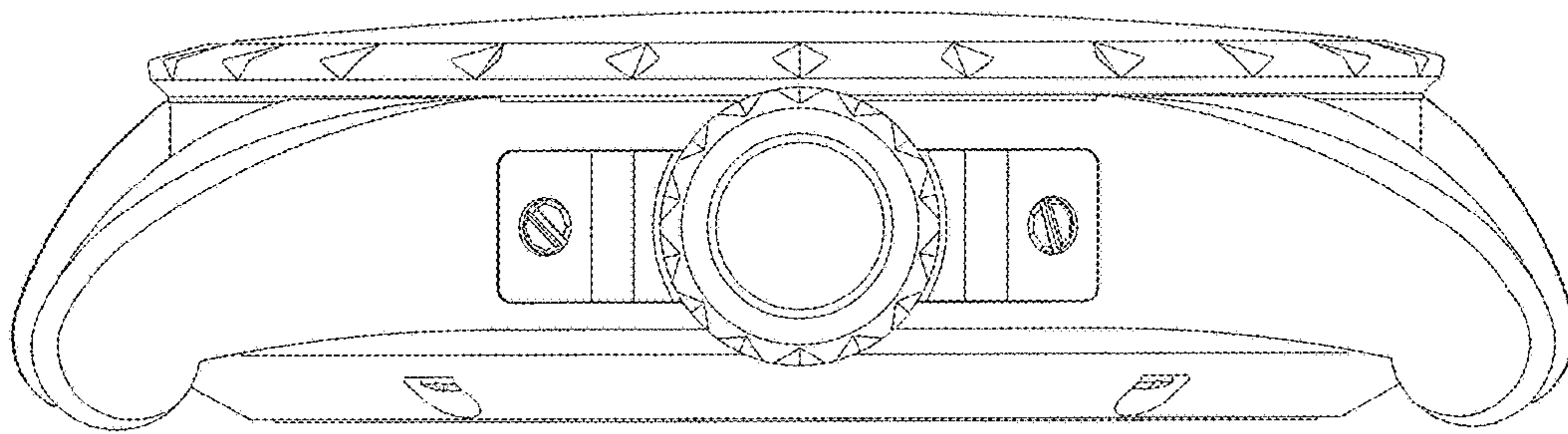


Fig. 3

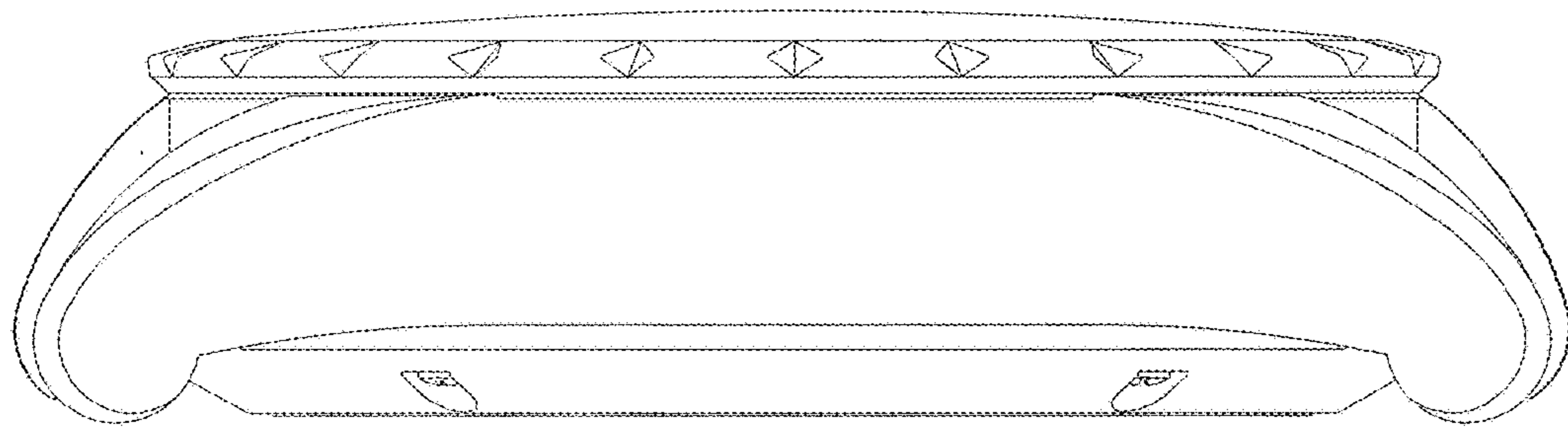


Fig. 4

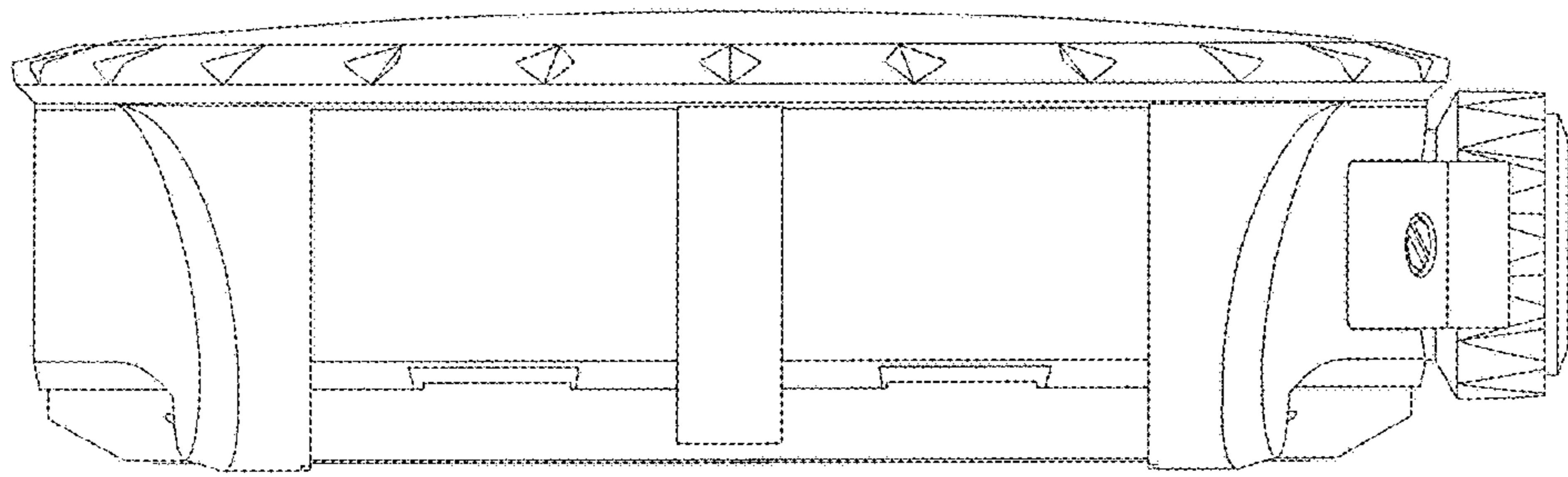


Fig. 5

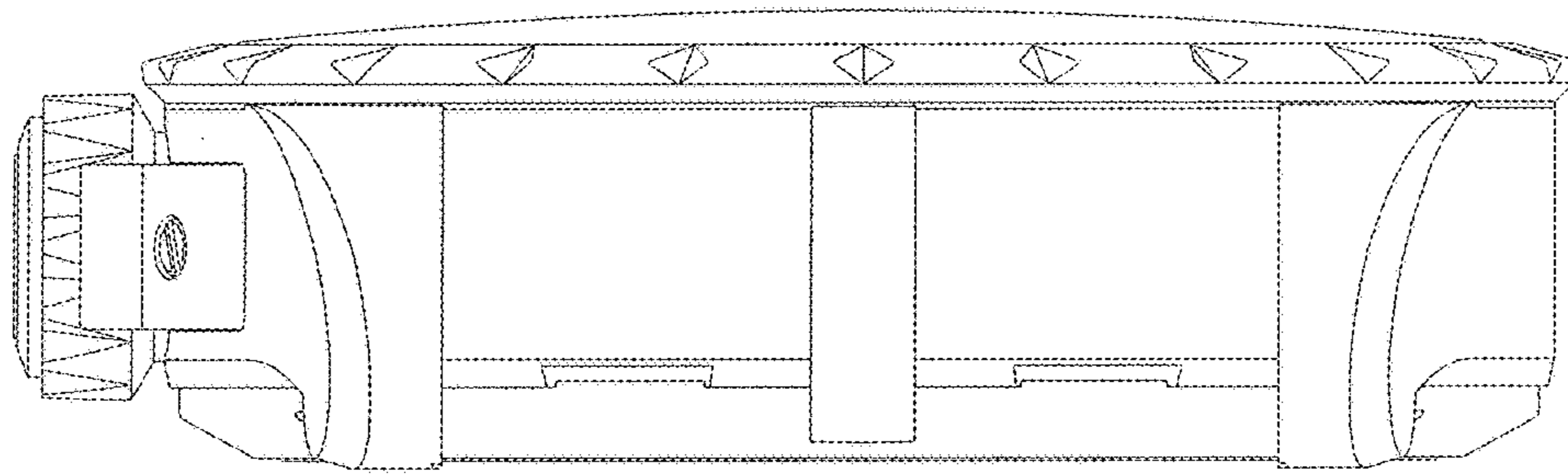


Fig. 6

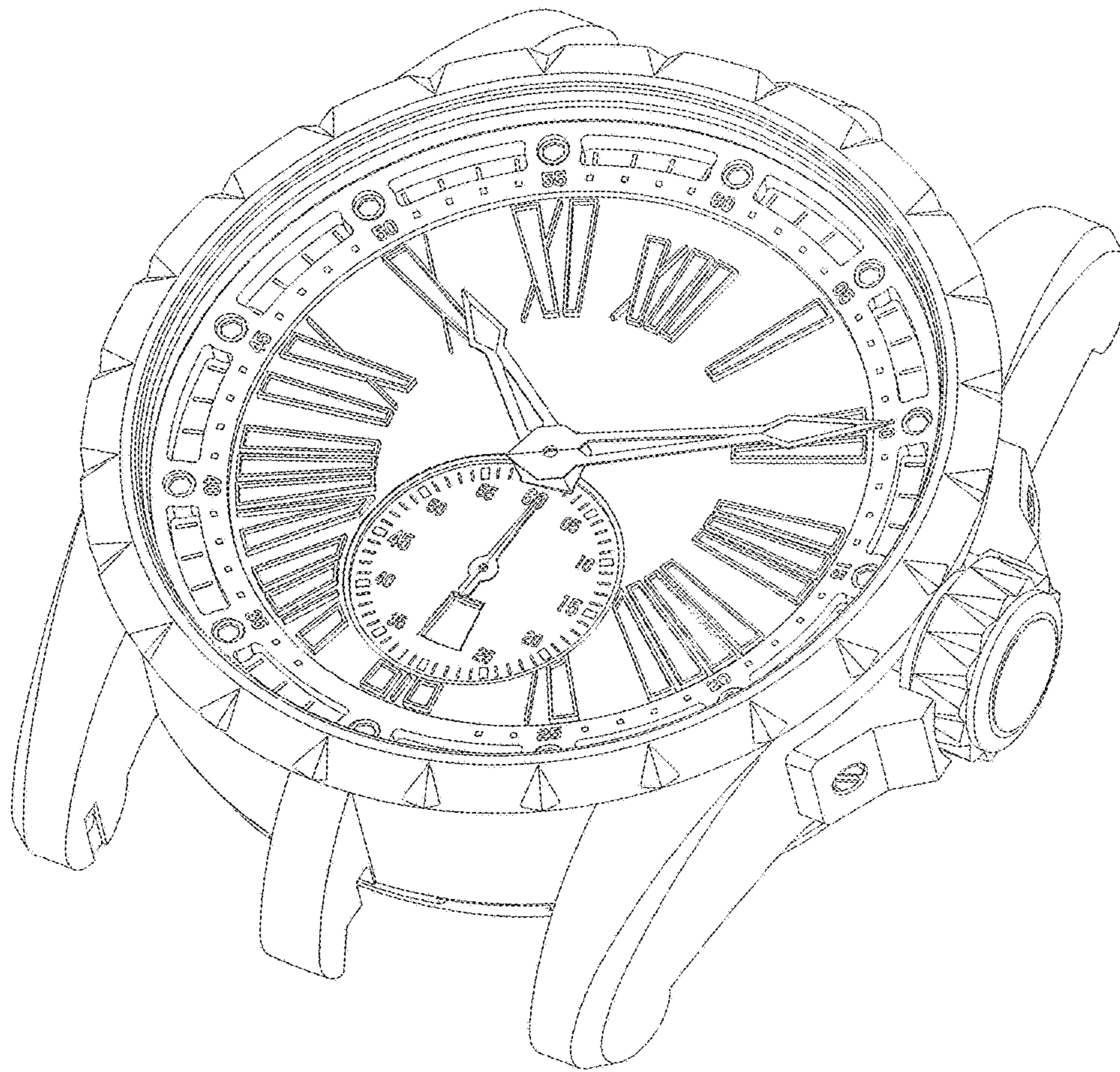


Fig. 7