



US00D860005S

(12) **United States Design Patent** (10) **Patent No.:** **US D860,005 S**  
**Dominion et al.** (45) **Date of Patent:** **\*\* Sep. 17, 2019**

(54) **CONTAINER INSERT**

(71) Applicant: **D6 Inc.**, Portland, OR (US)

(72) Inventors: **Ed Dominion**, Portland, OR (US);  
**Martin Troutd**, Wood Village, OR  
(US); **Ben McGregor**, Portland, OR  
(US)

(73) Assignee: **D6 Inc.**, Portland, OR (US)

(\*\*) Term: **15 Years**

(21) Appl. No.: **29/639,583**

(22) Filed: **Mar. 7, 2018**

(51) **LOC (12) Cl.** ..... **09-03**

(52) **U.S. Cl.**

USPC ..... **D9/761**; D9/737

(58) **Field of Classification Search**

USPC ..... D9/414, 424, 425, 737, 666, 761, 456,  
D9/499; D7/550.1, 551.1, 553.1, 553.8,  
D7/554.4, 701, 702, 628; D3/270, 271,  
D3/304, 313, 315; 220/575, 500,  
220/505-507, 523, 553, 555, 556;  
206/216, 217, 541-550, 518, 557, 558,  
206/561, 564, 223, 467; 229/107, 406,  
229/120, 125.17; 249/126, 134;  
426/106; 215/211, 200, 224, 243  
CPC .... B65D 85/34; B65D 85/345; B65D 43/161;  
B65D 43/162; B65D 43/16; B65D 51/28;  
B65D 2543/00194; B65D 2543/00296;  
B65D 1/24; B65D 21/0237; B65D  
2543/00101; B65D 2543/00351; B65D  
1/36; B65D 2543/00555; B65D  
2581/3425; B65D 25/04; B65D 43/0218;  
B65D 2543/00083; B65D 2543/00268;  
B65D 2543/00277; B65D 81/3453; A47G  
19/02; A47G 19/065; A47G 23/0608;  
A47G 23/06

See application file for complete search history.

(56) **References Cited**

U.S. PATENT DOCUMENTS

D172,271 S \* 5/1954 Despres ..... D7/553.4  
D290,919 S \* 7/1987 Beute ..... A47G 19/065  
D7/543

(Continued)

*Primary Examiner* — Cathron C Brooks

*Assistant Examiner* — W. A. Teddy Falloway

(74) *Attorney, Agent, or Firm* — Stoel Rives LLP

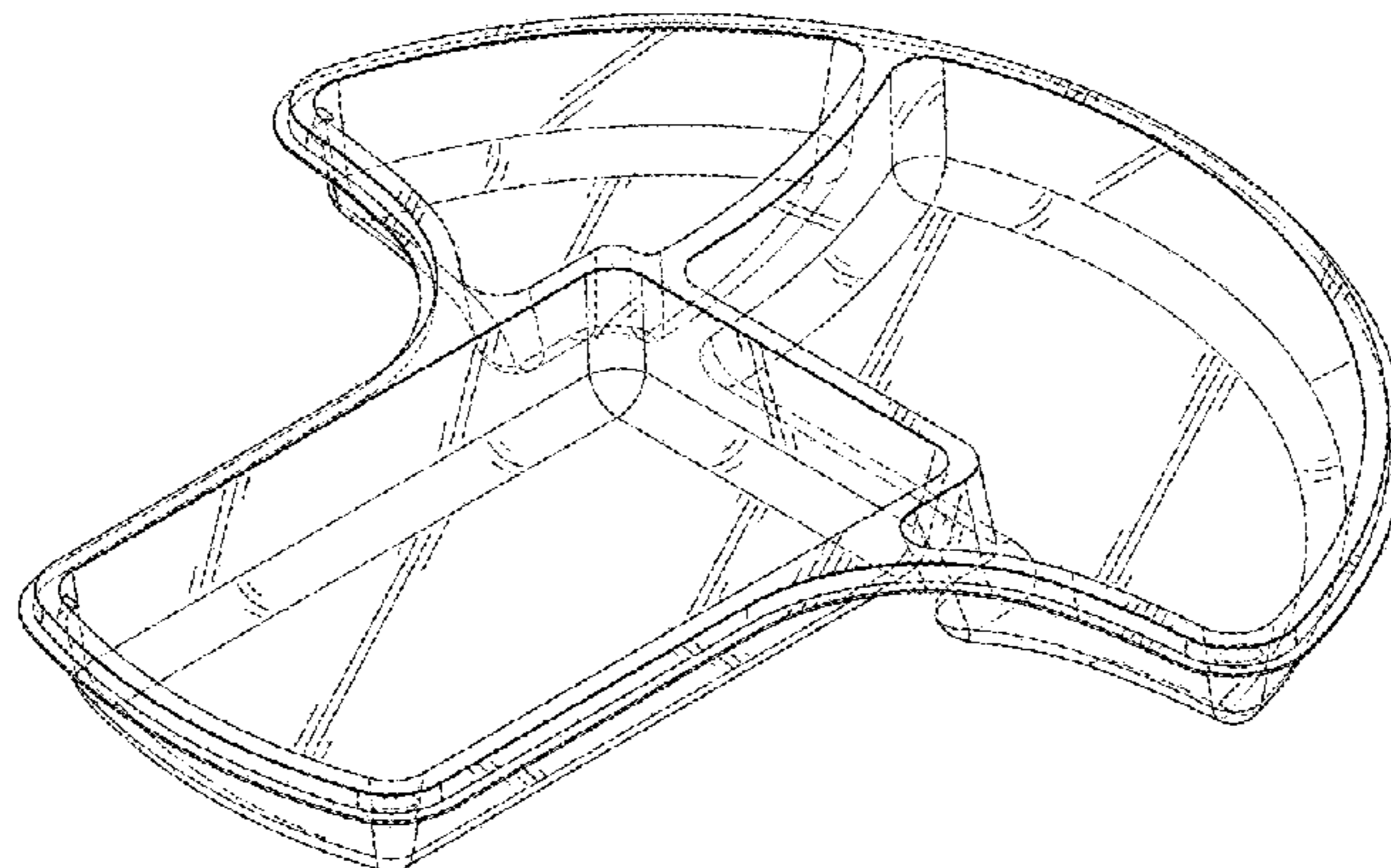
(57) **CLAIM**

The ornamental design for a container insert, as shown and described.

**DESCRIPTION**

FIG. 1 is a front, top isometric view of a container insert of our new design;  
FIG. 2 is a front elevational view of the container insert of FIG. 1;  
FIG. 3 is a rear elevational view of the container insert of FIG. 1;  
FIG. 4 is a right side view of the container insert of FIG. 1;  
FIG. 5 is a left side view of the container insert of FIG. 1;  
FIG. 6 is a top plan view of the container insert of FIG. 1;  
FIG. 7 is a bottom plan view of the container insert of FIG. 1;  
FIG. 8 is a front, bottom isometric view of the container insert of FIG. 1;  
FIG. 9 is a front assembled isometric environmental view of the container insert of FIG. 1; and,  
FIG. 10 is an exploded isometric environmental view of the container insert of FIG. 1.  
The broken-lines in FIGS. 9 and 10 illustrate environmental structure that forms no part of the claimed design.

**1 Claim, 8 Drawing Sheets**



(56)

References Cited

U.S. PATENT DOCUMENTS

|              |      |         |                    |                        |
|--------------|------|---------|--------------------|------------------------|
| 4,989,742    | A *  | 2/1991  | Powell .....       | A47G 19/06<br>206/549  |
| 5,598,944    | A *  | 2/1997  | Aragona .....      | A47G 19/06<br>206/518  |
| D551,091     | S *  | 9/2007  | Shahsavarani ..... | D9/737                 |
| D555,475     | S *  | 11/2007 | Enriquez .....     | D9/432                 |
| D594,280     | S *  | 6/2009  | Wolhender .....    | D7/549                 |
| D594,281     | S *  | 6/2009  | Luft .....         | D7/549                 |
| D615,821     | S *  | 5/2010  | Stamper .....      | D7/538                 |
| D631,696     | S *  | 2/2011  | Lipfert .....      | D7/505                 |
| D656,280     | S *  | 3/2012  | St. Clair .....    | D30/122                |
| D681,286     | S *  | 4/2013  | Namvong .....      | D30/129                |
| D698,665     | S *  | 2/2014  | Sifuentes .....    | D9/425                 |
| D708,904     | S *  | 7/2014  | Coyle .....        | A47G 23/06<br>D7/544   |
| D723,392     | S *  | 3/2015  | Sifuentes .....    | D9/425                 |
| D740,615     | S *  | 10/2015 | Shoshan .....      | D7/553.2               |
| D782,333     | S *  | 3/2017  | Shoshan .....      | D9/737                 |
| D804,961     | S *  | 12/2017 | Shoshan .....      | D9/737                 |
| D809,934     | S *  | 2/2018  | Shoshan .....      | D9/737                 |
| D825,996     | S *  | 8/2018  | Rabiai .....       | A47G 23/06<br>D7/551.1 |
| D829,509     | S *  | 10/2018 | Malak .....        | D7/553.1               |
| 2011/0132914 | A1 * | 6/2011  | Vernes .....       | A47G 19/06<br>220/575  |

\* cited by examiner

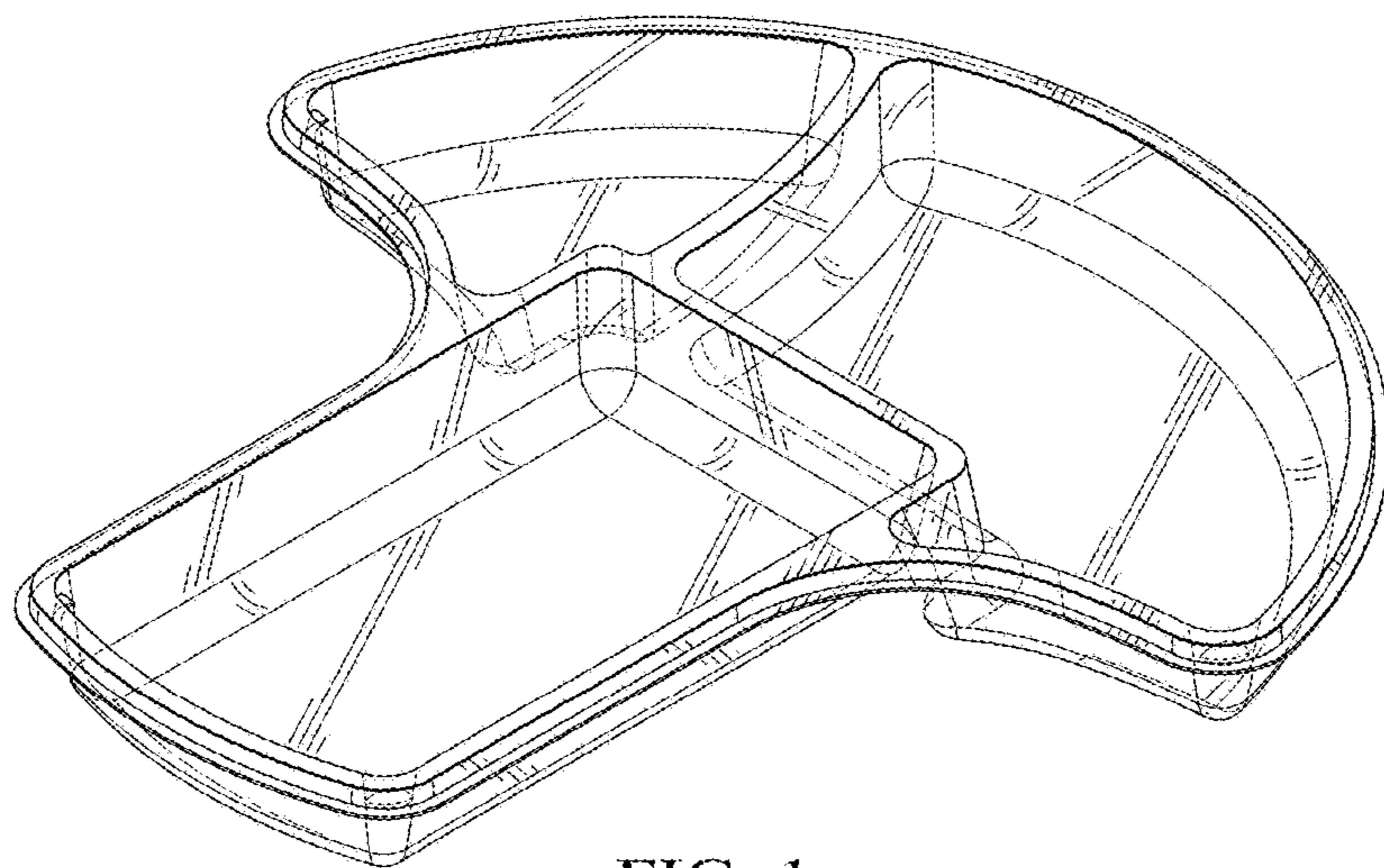


FIG. 1

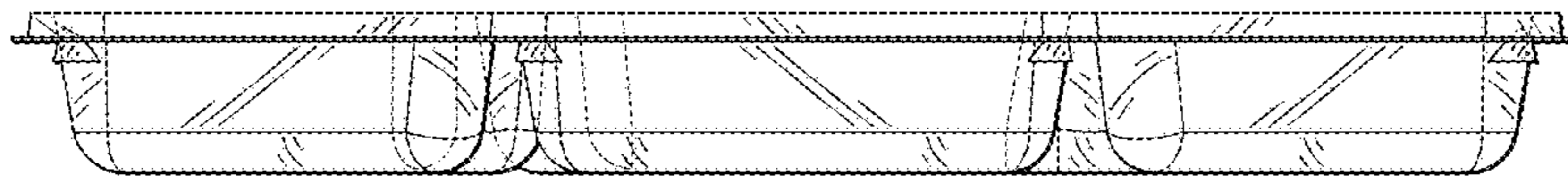


FIG. 2

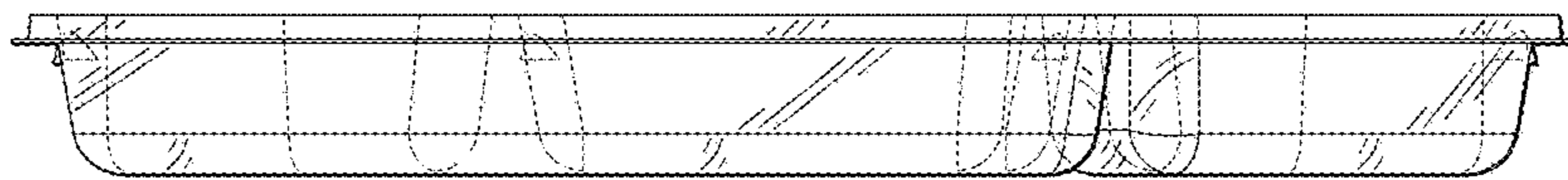


FIG. 3

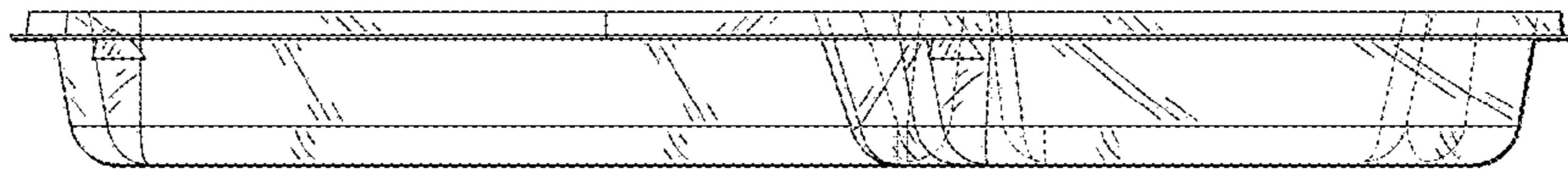


FIG. 4

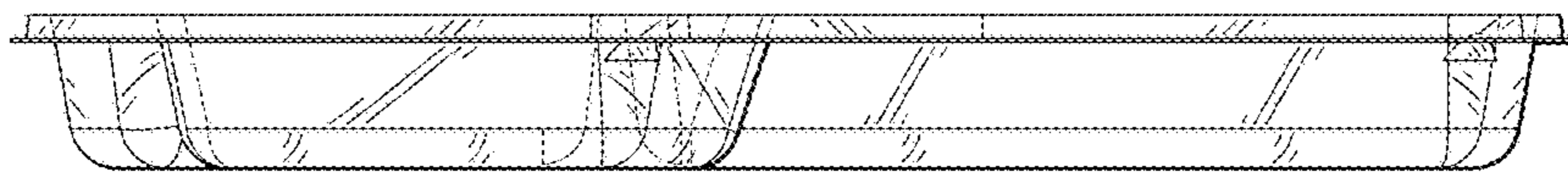


FIG. 5



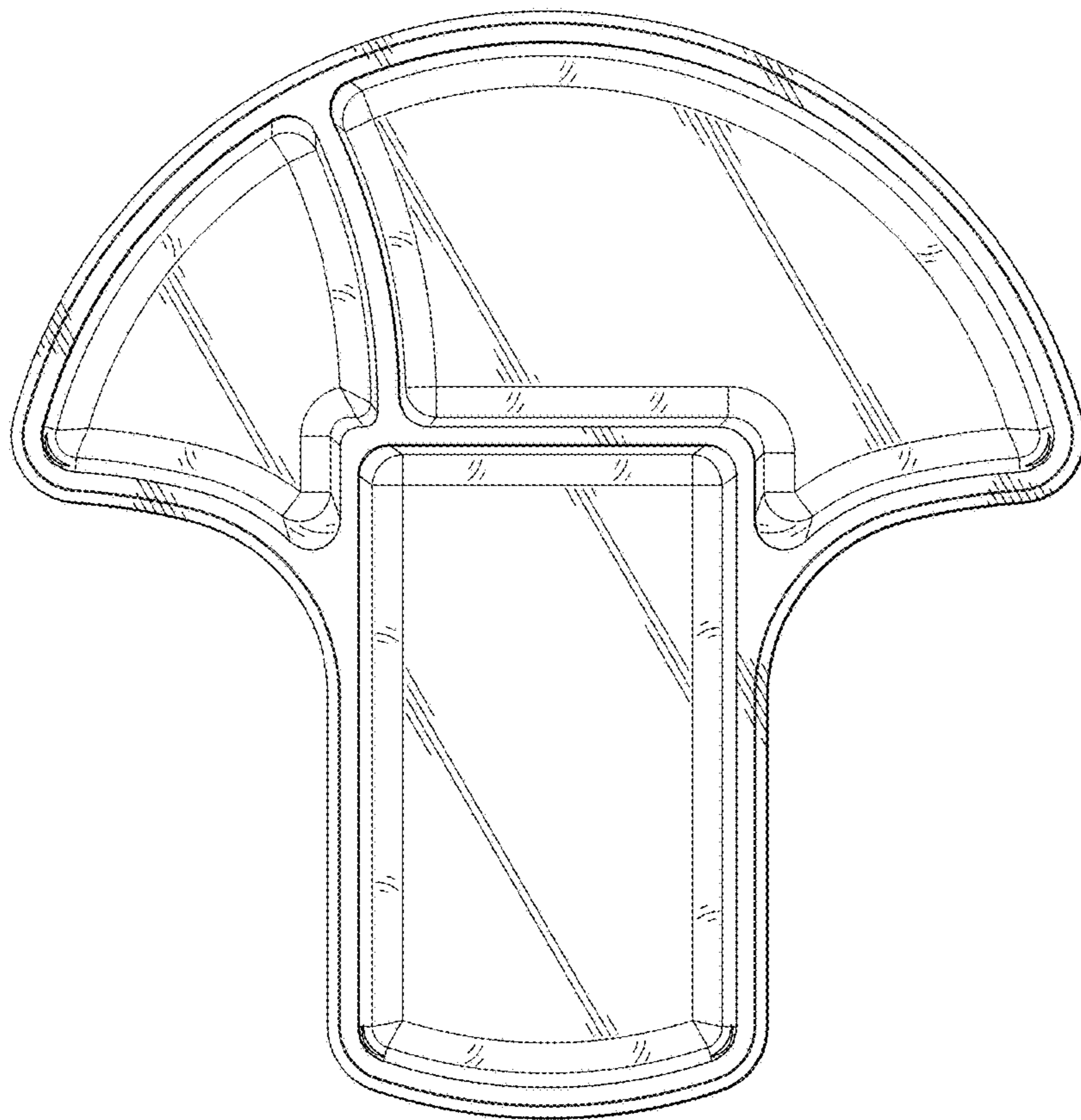


FIG. 6

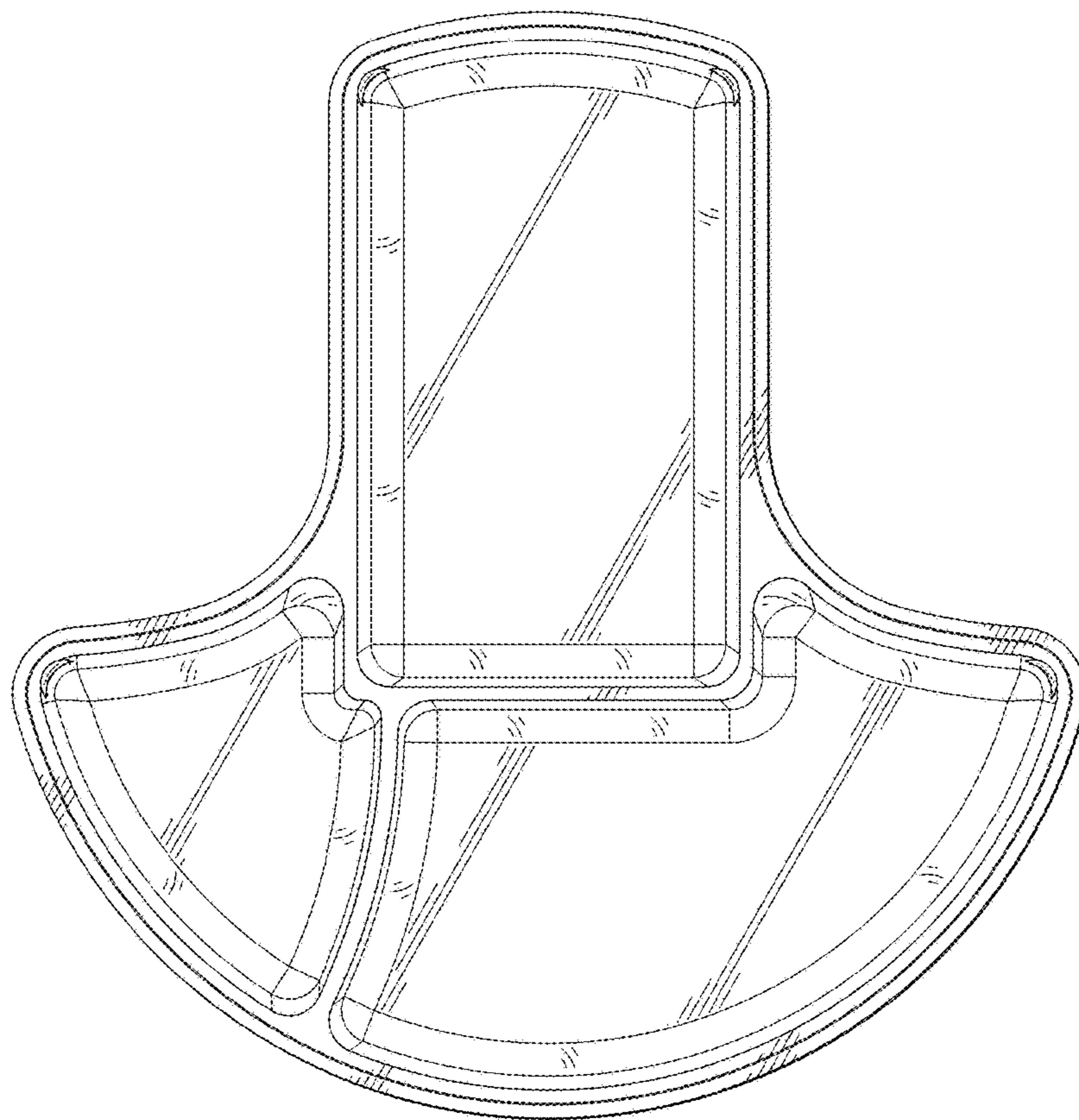


FIG. 7

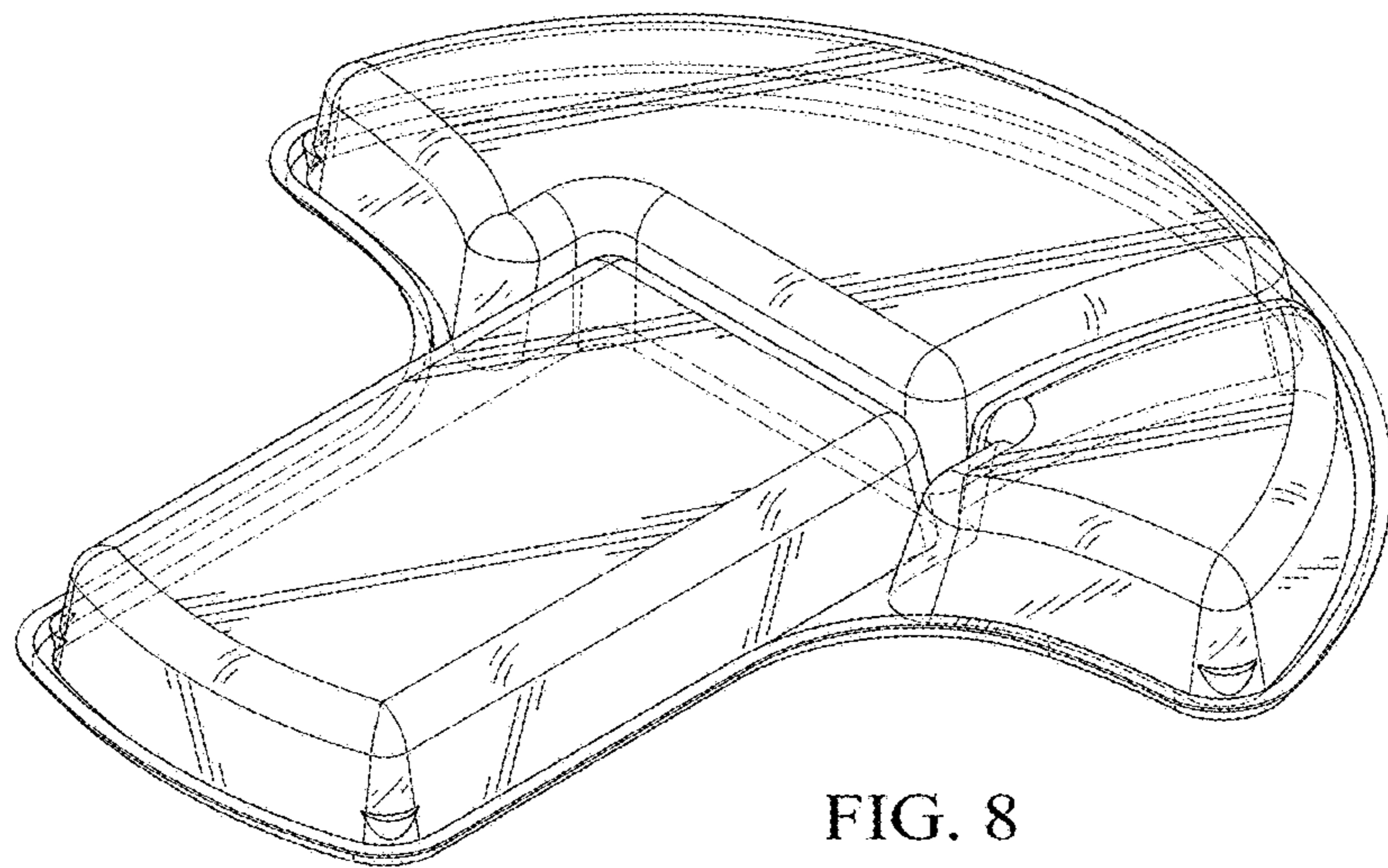


FIG. 8



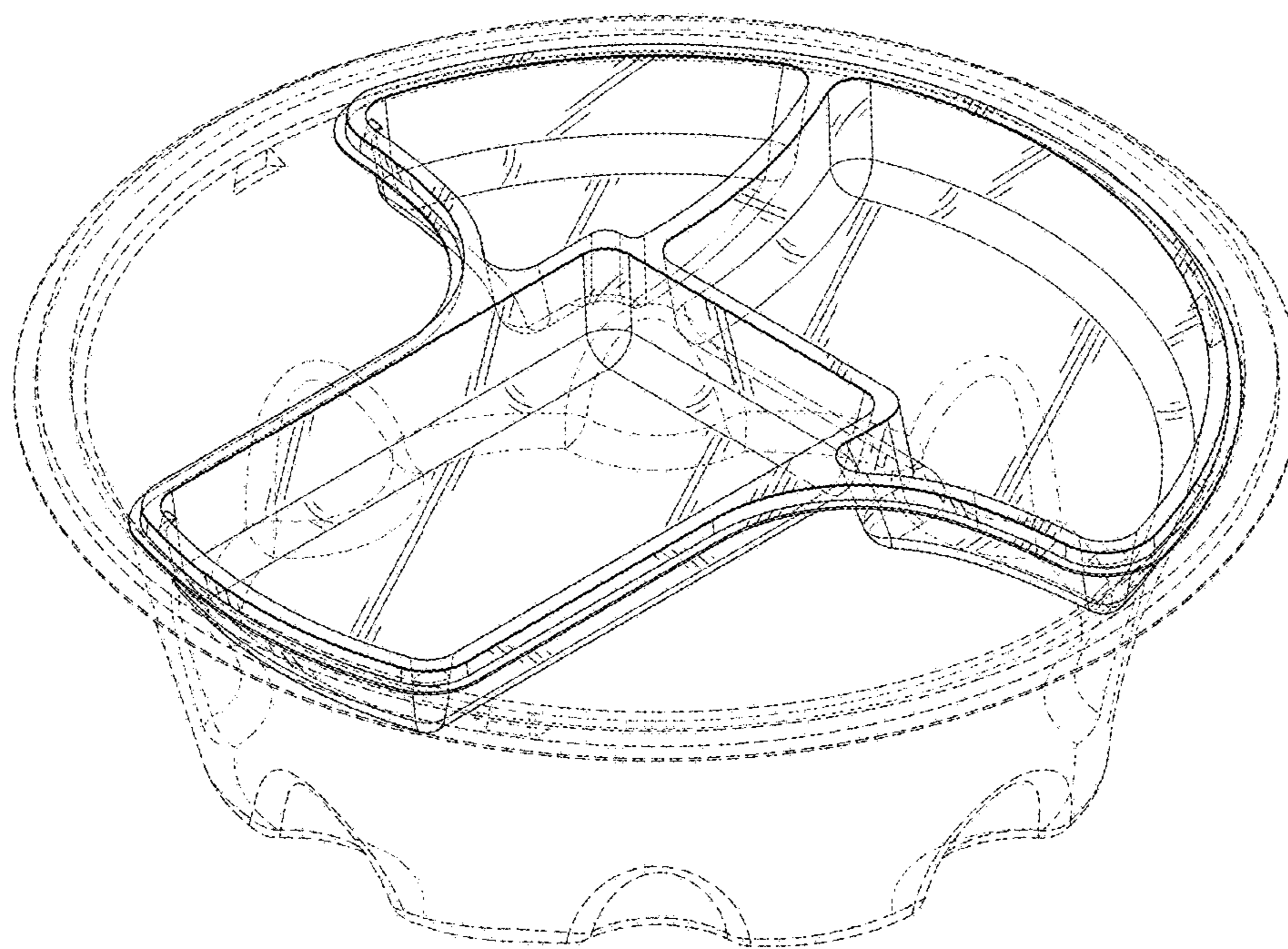


FIG. 9

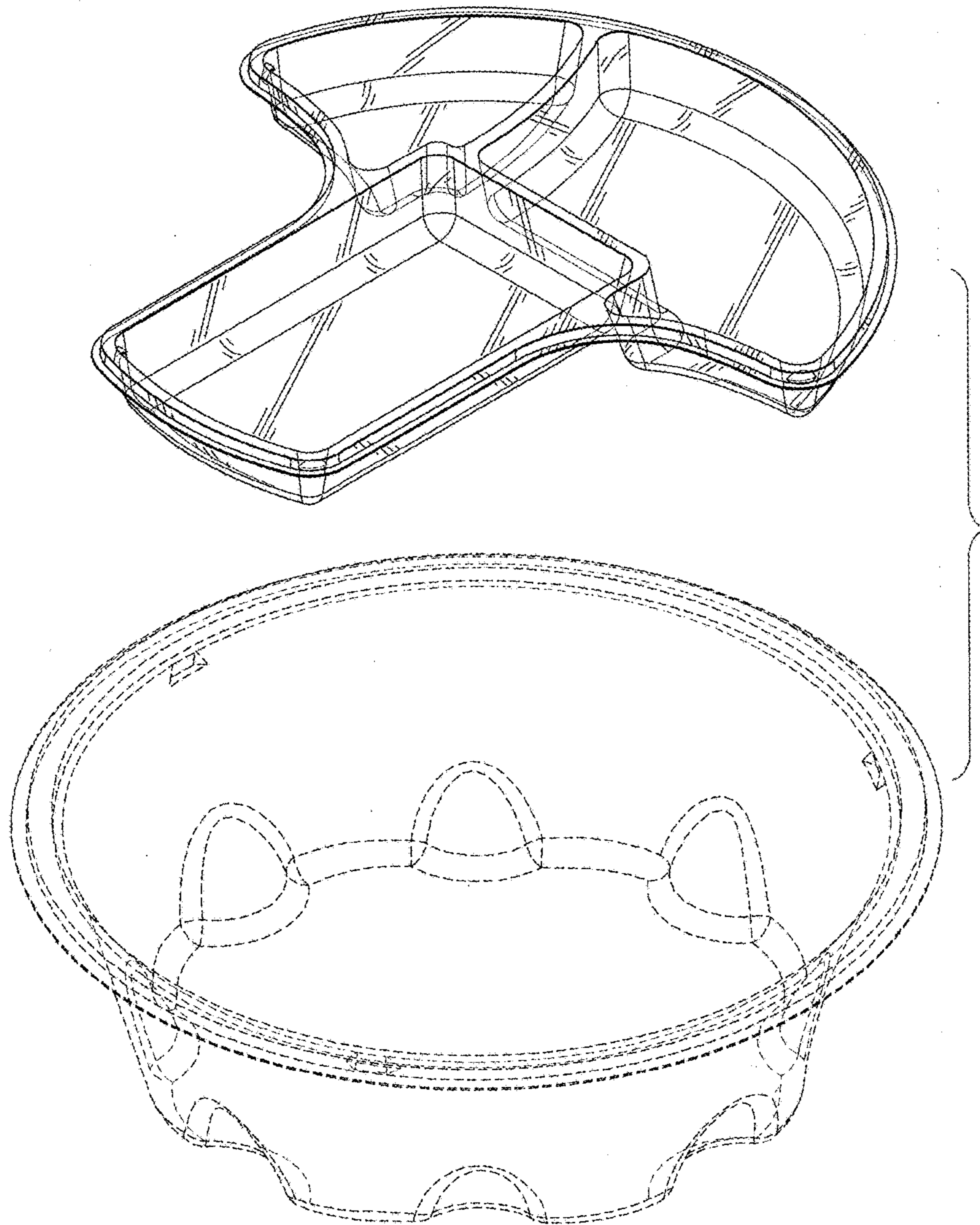


FIG. 10