



US00D860001S

(12) **United States Design Patent** (10) **Patent No.:** **US D860,001 S**
Sahatjian (45) **Date of Patent:** **** Sep. 17, 2019**

(54) **CONTAINER**

(71) Applicant: **Sarine Sahatjian**, Simi Valley, CA (US)

(72) Inventor: **Sarine Sahatjian**, Simi Valley, CA (US)

(**) Term: **15 Years**

(21) Appl. No.: **29/643,284**

(22) Filed: **Apr. 6, 2018**

(51) **LOC (12) Cl.** **09-05**

(52) **U.S. Cl.**
USPC **D9/707**

(58) **Field of Classification Search**
USPC D9/702-714, 720-722, 414, 434-435, D9/696, 716, 771, 447, 516-517, D9/738-747, 544, 520-521; D24/118, D24/207, 108; 383/6, 9, 22, 96, 61.1, 383/80-81, 104, 901, 63, 203, 107, 383/119-120, 123, 61.2, 44; 220/675, 220/495.03; 215/381-385, 400, 328, 316; 206/484; D3/202; 428/34.3; 222/92, 222/215, 95, 107; 604/408, 403, 415
CPC ... B65D 1/00; B65D 1/02; B65D 1/09; B65D 1/10; B65D 1/32; B65D 1/0223; B65D 1/0246; B65D 33/00; B65D 33/24; B65D 33/2508; B65D 33/2591; B65D 75/00; B65D 75/30; B65D 2081/008; B65D 2081/051; B05B 11/0037; B05B 11/048

See application file for complete search history.

(56) **References Cited**

U.S. PATENT DOCUMENTS

D457,318 S * 5/2002 Borland D3/303
D818,842 S * 5/2018 Panigel D9/707
D840,836 S * 2/2019 Sahatjian D9/708

* cited by examiner

Primary Examiner — Abraham Bahta
(74) *Attorney, Agent, or Firm* — Hankin Patent Law, APC; Kevin Schraven; Anooj Patel

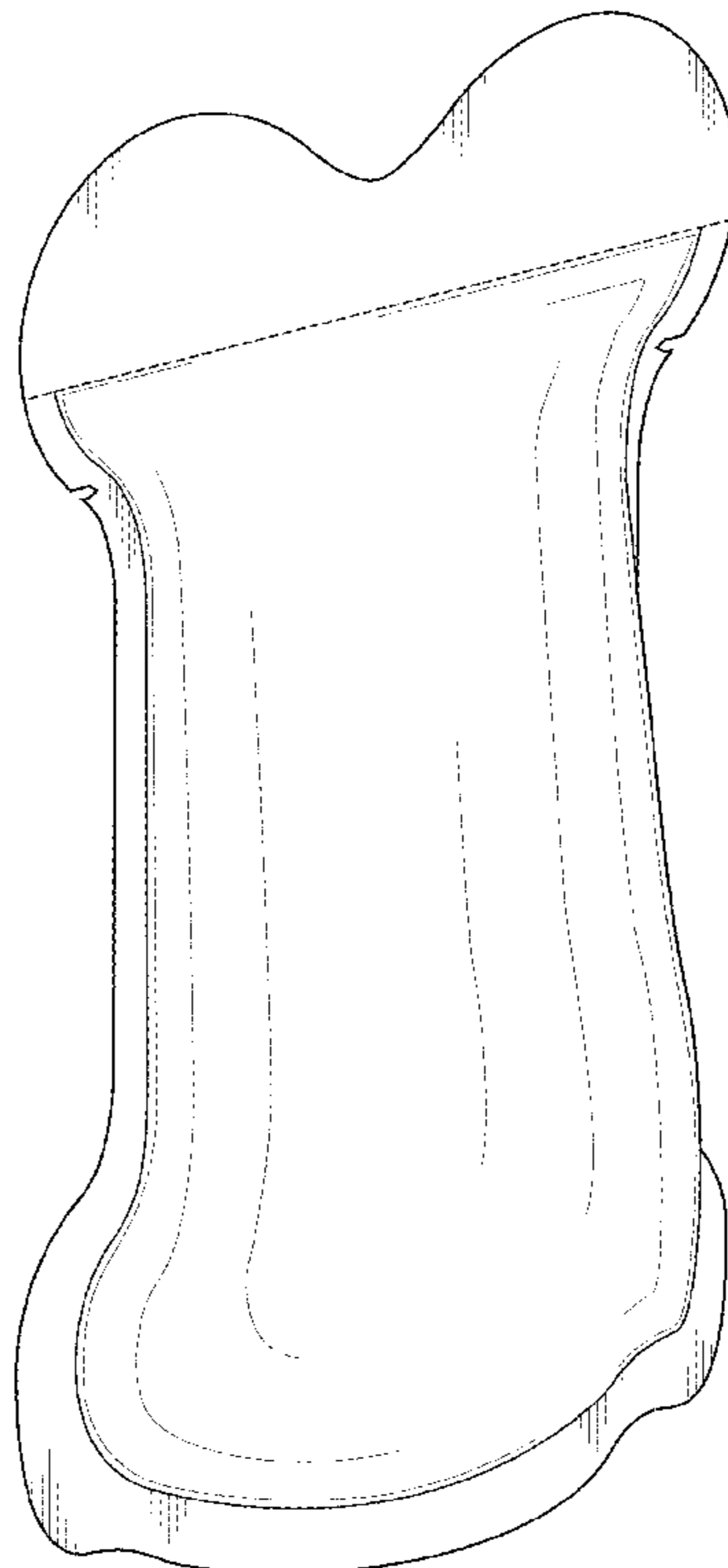
(57) **CLAIM**

The ornamental design for a container, as shown and described.

DESCRIPTION

FIG. 1 is a top perspective view of the container showing my new design.
FIG. 2 is a bottom perspective view thereof.
FIG. 3 is a right side elevational view thereof.
FIG. 4 is a left side elevational view thereof.
FIG. 5 is a front elevational view thereof.
FIG. 6 is a rear elevational view thereof.
FIG. 7 is a top plan view thereof; and,
FIG. 8 is a bottom plan view thereof.
The broken line showing the sealed separation between the top of the container and the tillable portion of the container forms no part of the claimed design.

1 Claim, 8 Drawing Sheets



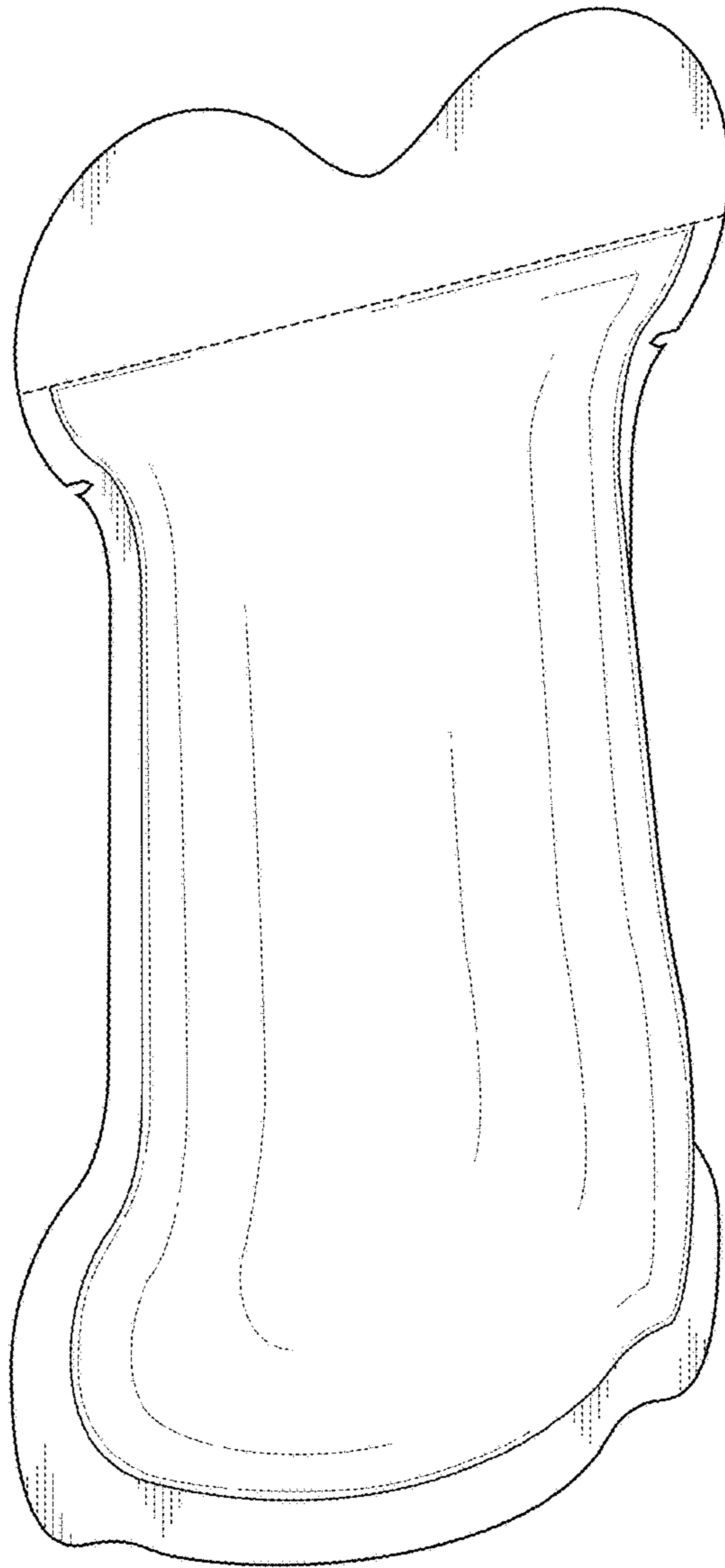


Fig. 1

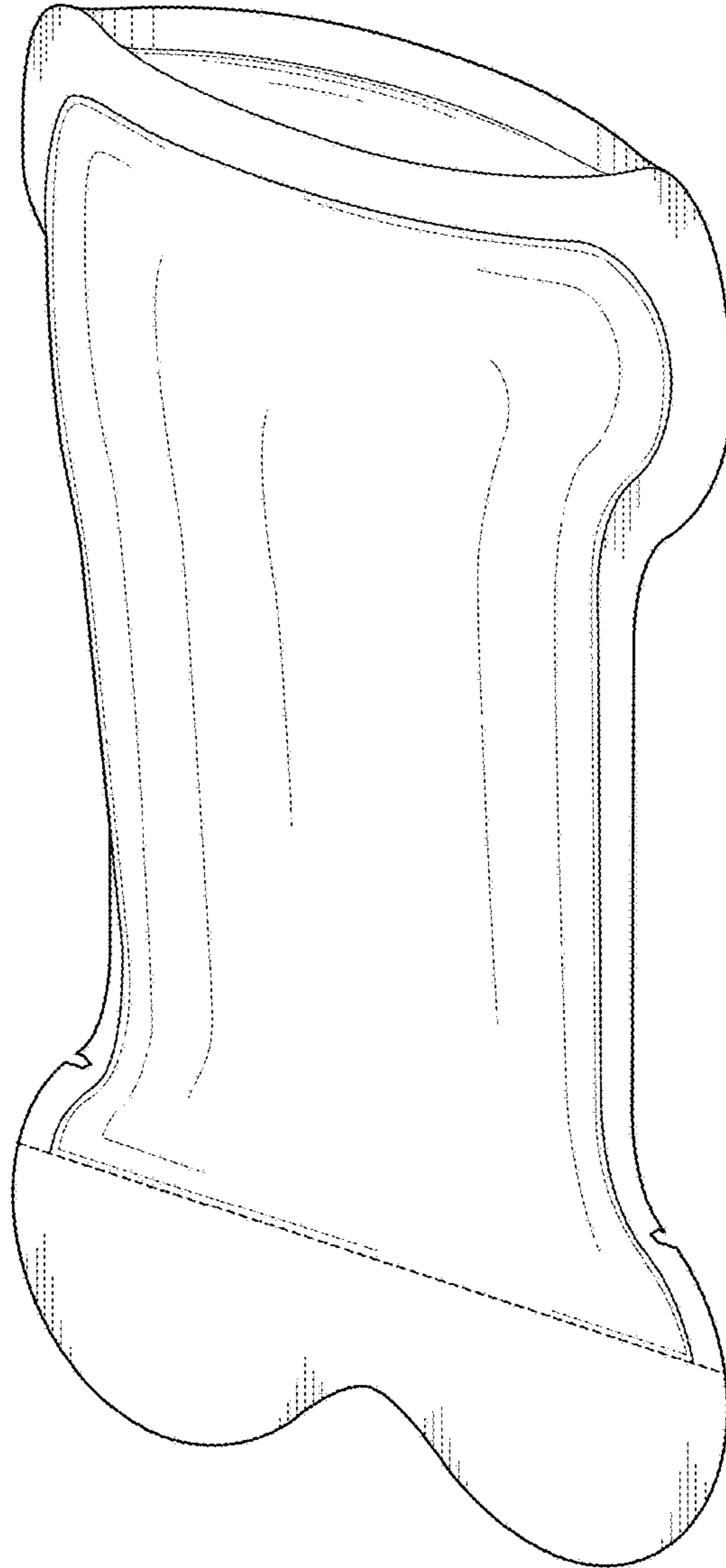


Fig.2

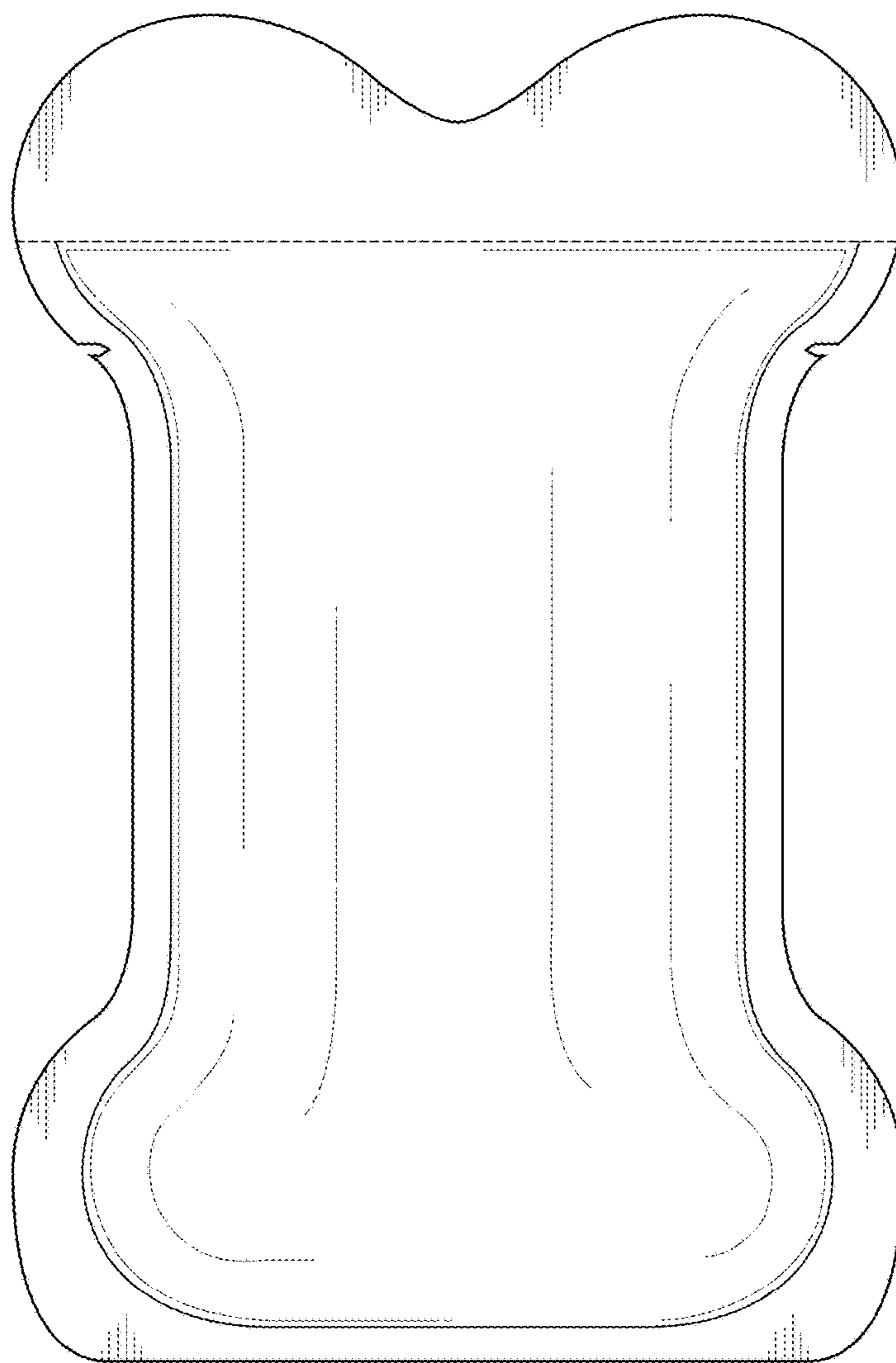


Fig.3

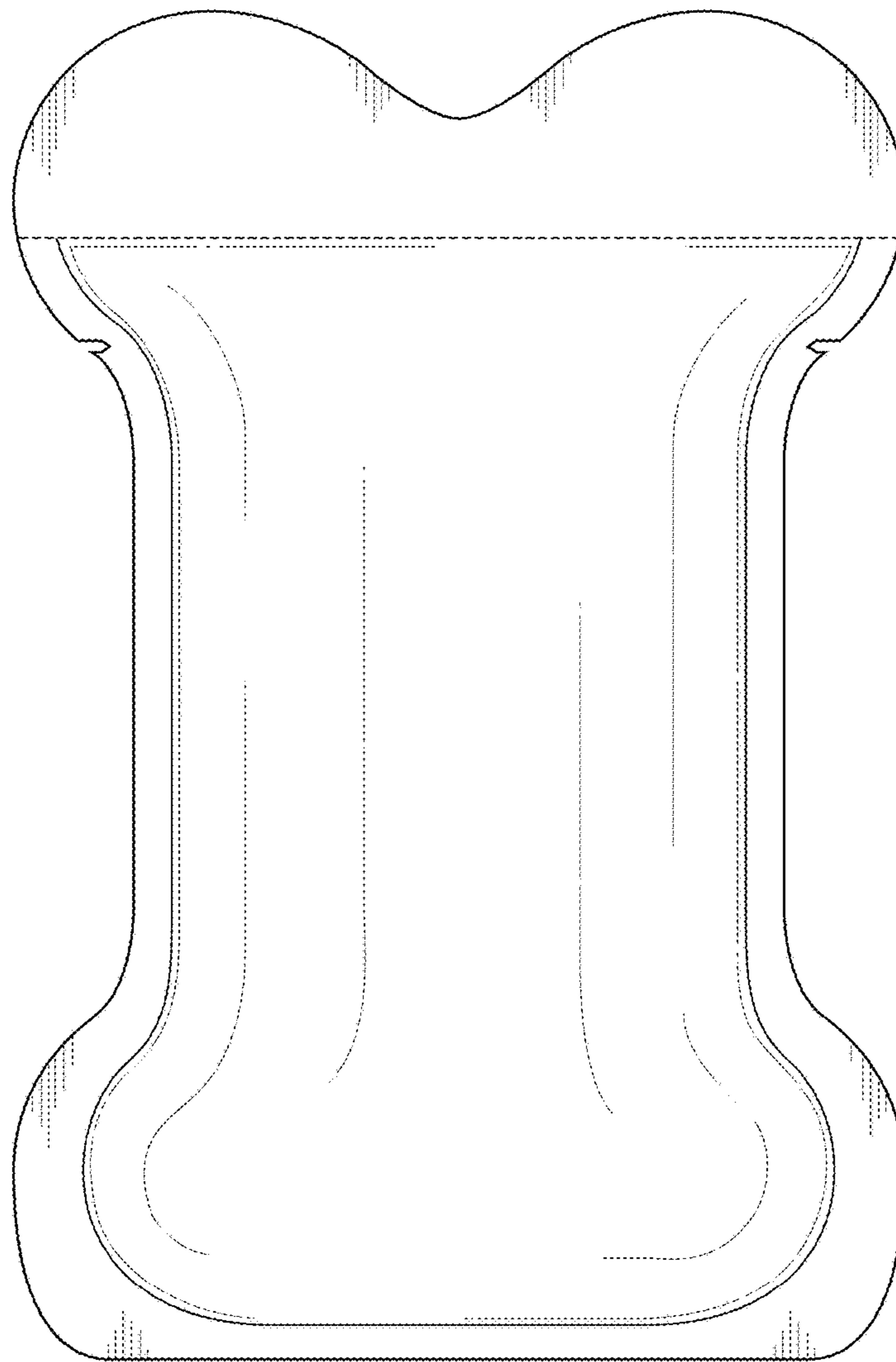


Fig.4

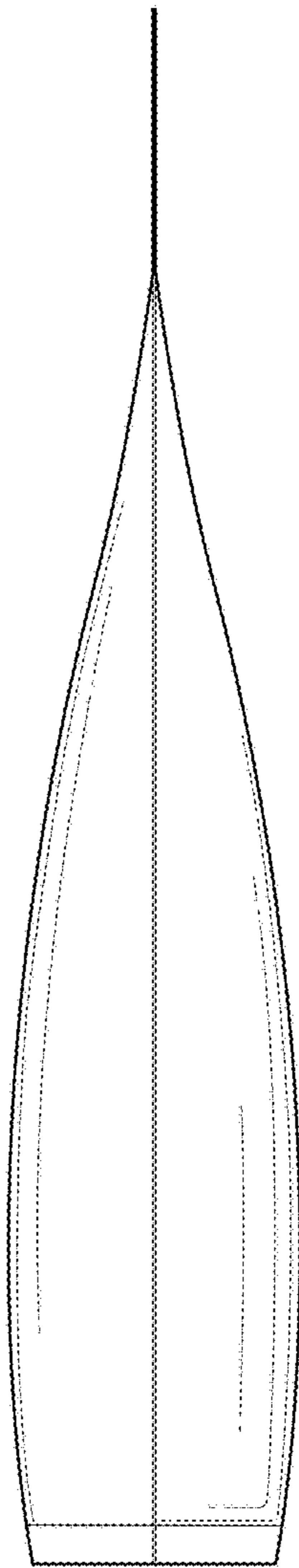


Fig.5

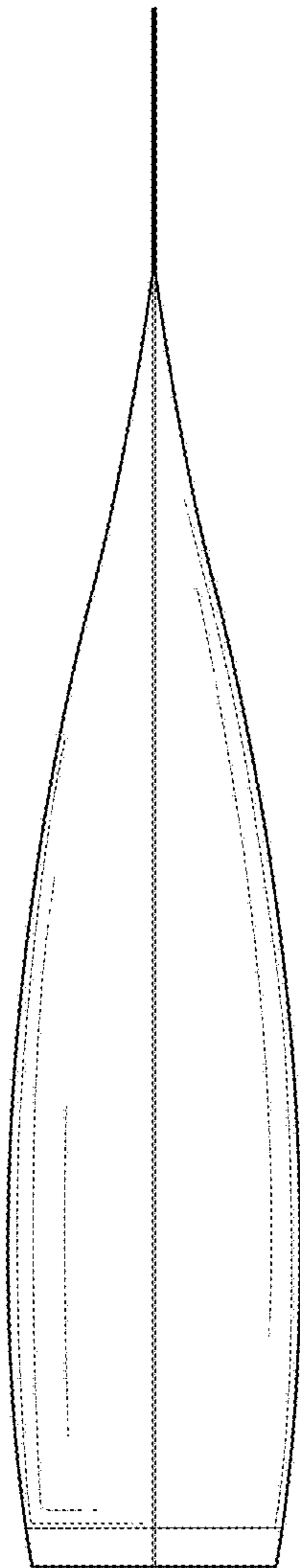


Fig.6

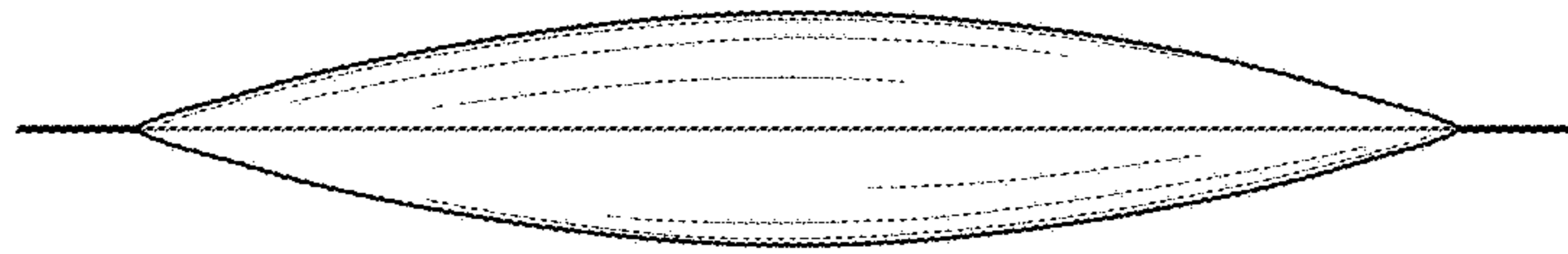


Fig.7

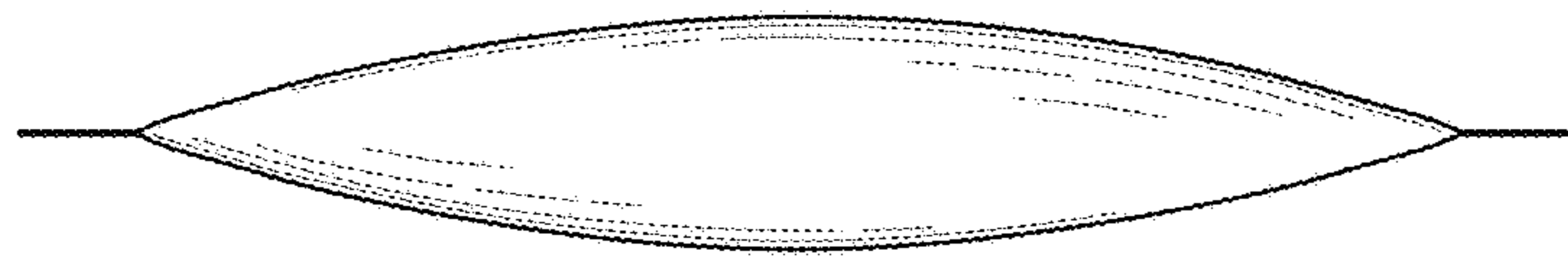


Fig.8