



US00D86000S

(12) **United States Design Patent** (10) **Patent No.:** **US D860,000 S**  
**Baldelomar Bernardin** (45) **Date of Patent:** **\*\* Sep. 17, 2019**

(54) **GIFT BAG WITH DETACHABLE ACTIVITY SURFACE**

(71) Applicant: **Farach Lucia Baldelomar Bernardin**,  
Miami, FL (US)

(72) Inventor: **Farach Lucia Baldelomar Bernardin**,  
Miami, FL (US)

(\*\*) Term: **15 Years**

(21) Appl. No.: **29/645,948**

(22) Filed: **Apr. 30, 2018**

**Related U.S. Application Data**

(63) Continuation of application No. 15/453,458, filed on  
Mar. 8, 2017, now abandoned.

(51) **LOC (12) Cl.** ..... **09-05**

(52) **U.S. Cl.**  
USPC ..... **D9/704**

(58) **Field of Classification Search**

USPC ..... D9/702-714, 719, 738-740, 517-518,  
D9/522, 416, 435, 444, 460, 455, 414,  
D9/499, 431-432; D7/560-562;  
206/434, 426-427, 429-430, 485, 485.1,  
206/499, 508, 431, 418-422, 588-594;  
229/117.3, 185, 121, 122, 200, 207, 236,  
229/87.01; 220/23.83; 150/100-118;  
294/137, 152; 383/6, 10, 14, 20, 40, 33,  
383/104-105, 117, 108, 120, 93, 121.1,  
383/127; 428/34.3  
CPC ..... B65D 33/00; B65D 33/06; B65D 33/065;  
B65D 33/14; B65D 33/1683; B65D  
33/12; B65D 31/00; B65D 31/04; B65D  
31/10; A45C 3/04; A45C 3/10

See application file for complete search history.

(56) **References Cited**

U.S. PATENT DOCUMENTS

|                   |         |           |       |                        |
|-------------------|---------|-----------|-------|------------------------|
| D485,166 S *      | 1/2004  | Clark     | ..... | D9/704                 |
| D494,853 S *      | 8/2004  | Chan      | ..... | D9/704                 |
| D498,667 S *      | 11/2004 | Clark     | ..... | D9/703                 |
| D547,673 S *      | 7/2007  | Glass     | ..... | D9/617                 |
| 8,696,203 B2 *    | 4/2014  | Rednour   | ..... | A63H 3/50<br>206/458   |
| D738,743 S *      | 9/2015  | Galmarini | ..... | D9/631                 |
| 2013/0295550 A1 * | 11/2013 | Mullaguru | ..... | B43K 23/001<br>434/417 |

\* cited by examiner

*Primary Examiner* — Abraham Bahta

(74) *Attorney, Agent, or Firm* — Dunlap Bennett &  
Ludwig PLLC; Brendan E. Squire

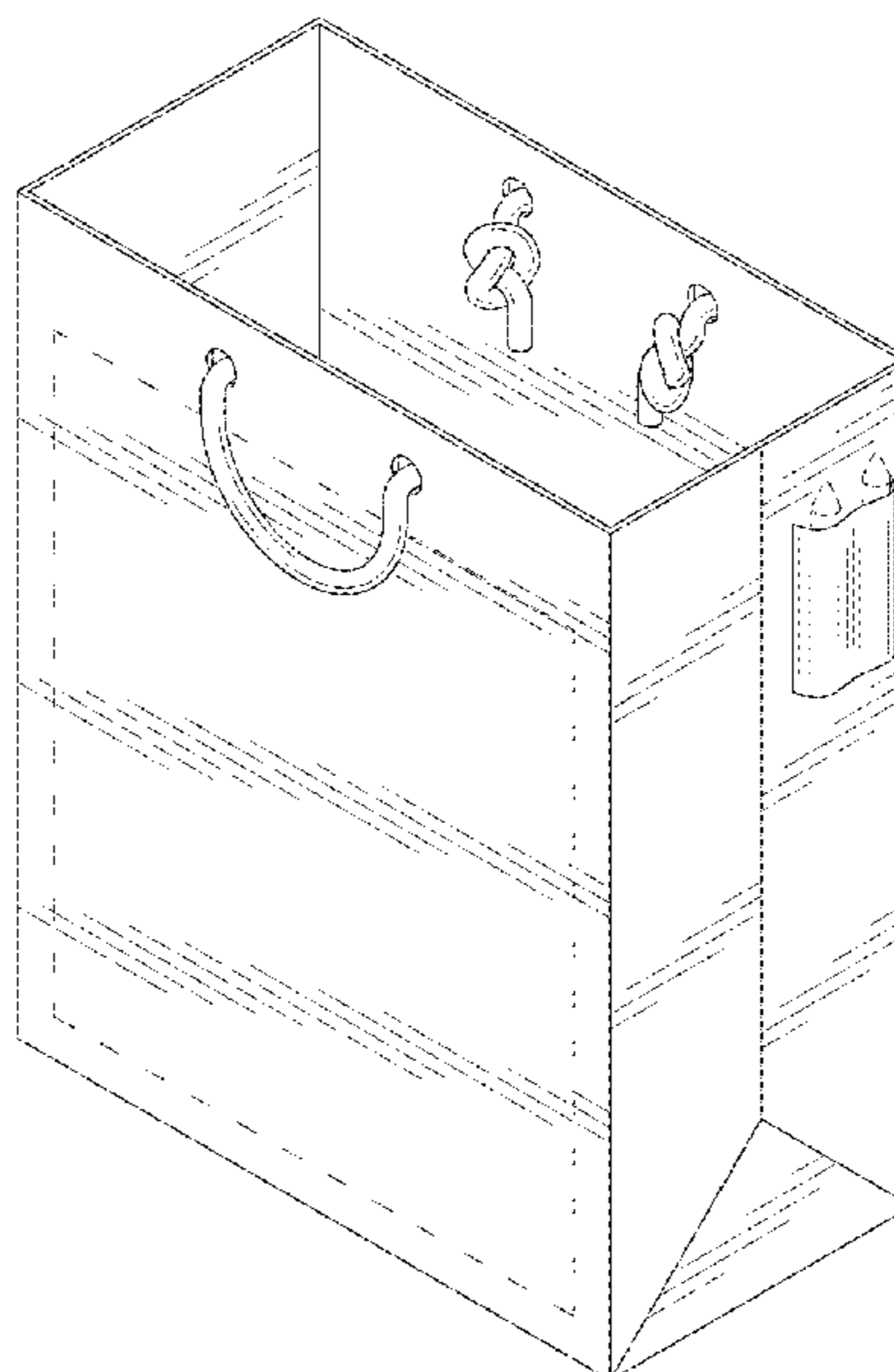
(57) **CLAIM**

The ornamental design for a gift bag with detachable activity surface, as shown and described.

**DESCRIPTION**

FIG. 1 is a top front perspective view of a gift bag with detachable activity surface showing my new design;  
FIG. 2 is a front elevation view thereof, with the rear elevation view being a mirror image thereof;  
FIG. 3 is a right elevation view thereof;  
FIG. 4 is a left elevation view thereof;  
FIG. 5 is a top elevation view thereof; and,  
FIG. 6 is a bottom elevation view thereof.  
The broken lines shown in the drawings that illustrate crayons form no part of the claimed design.  
The broken lines in FIGS. 1 and 2 showing the gift bag with detachable activity surface in use illustrates perforations in the front surface of the bag.

**1 Claim, 4 Drawing Sheets**



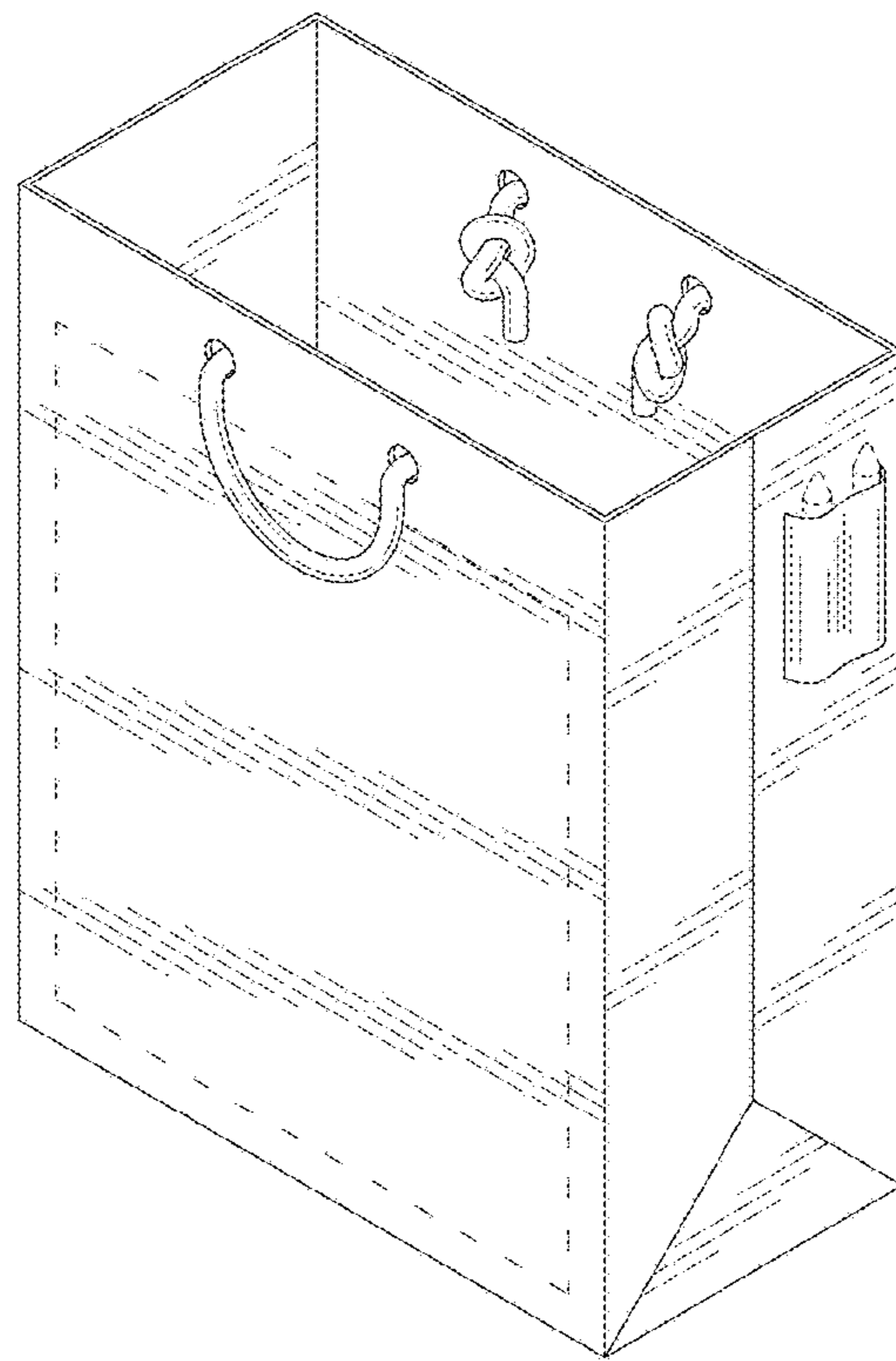


FIG. 1

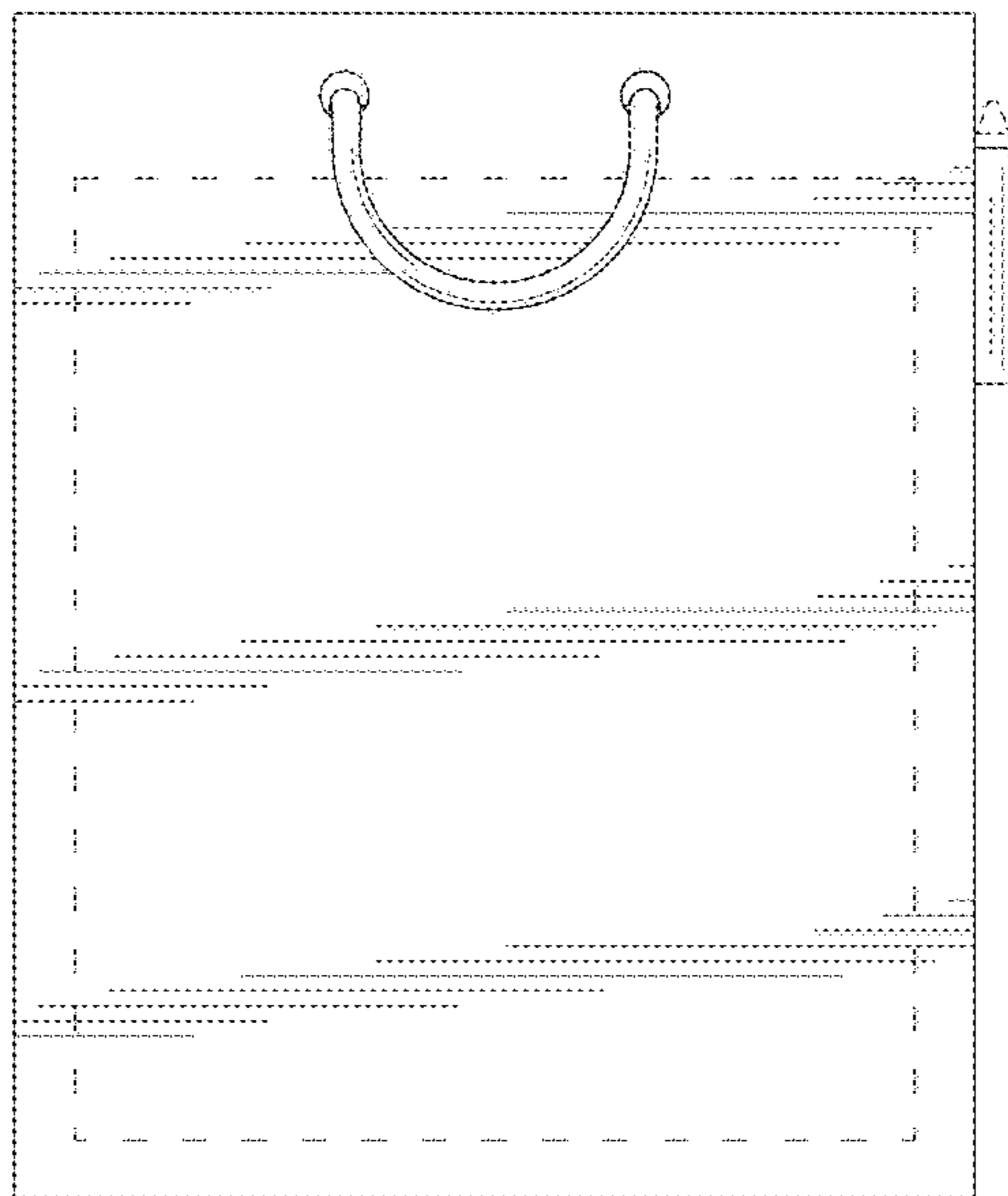


FIG.2

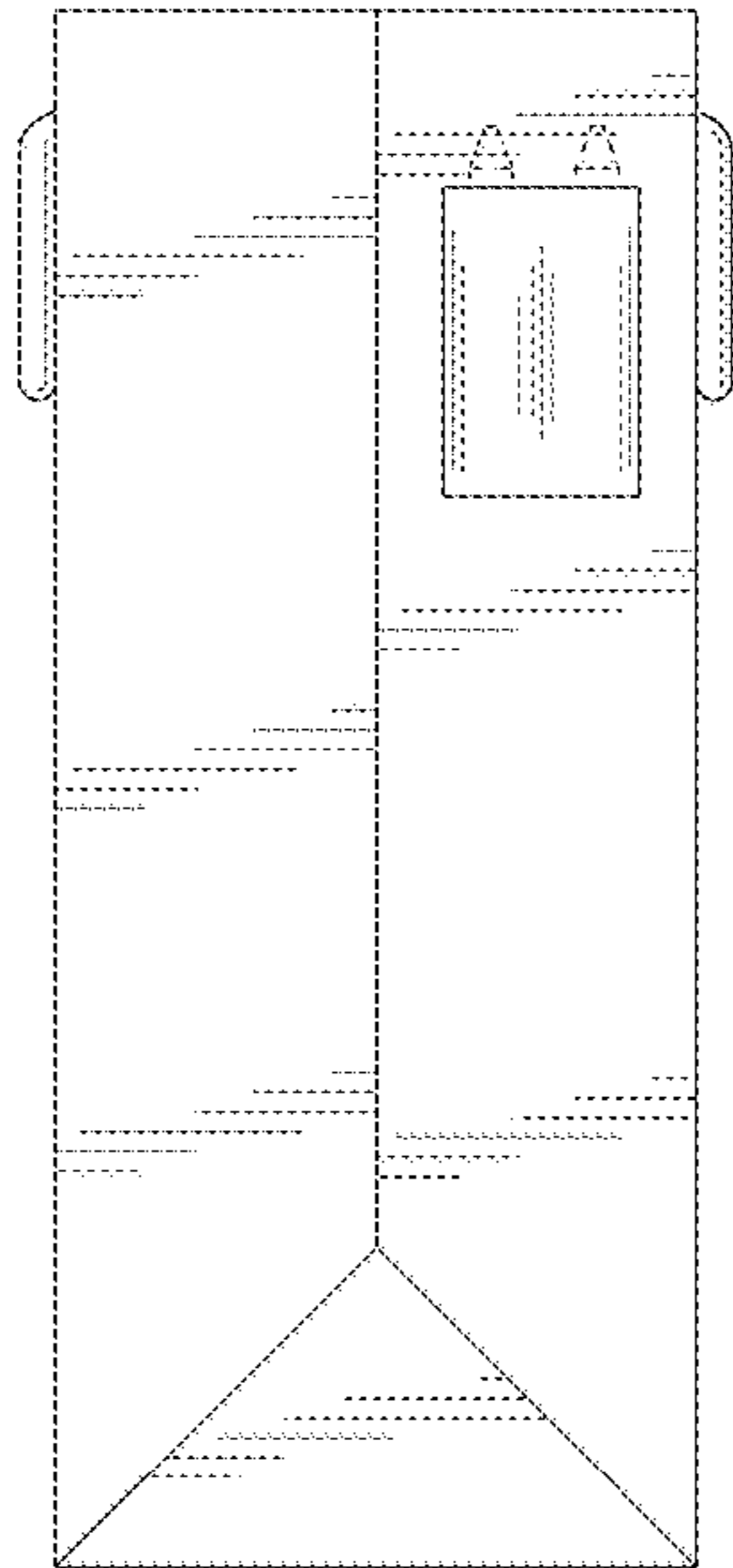


FIG.3

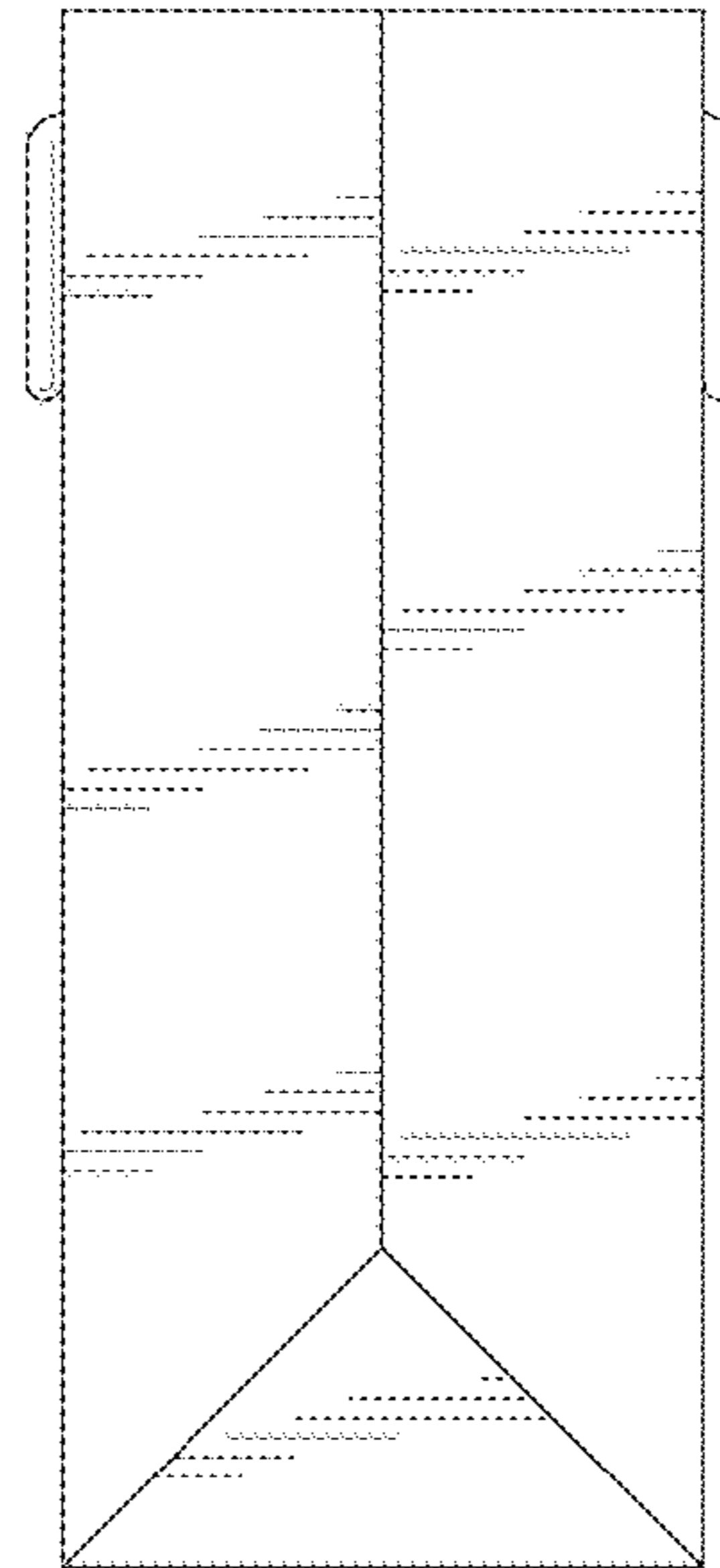


FIG.4

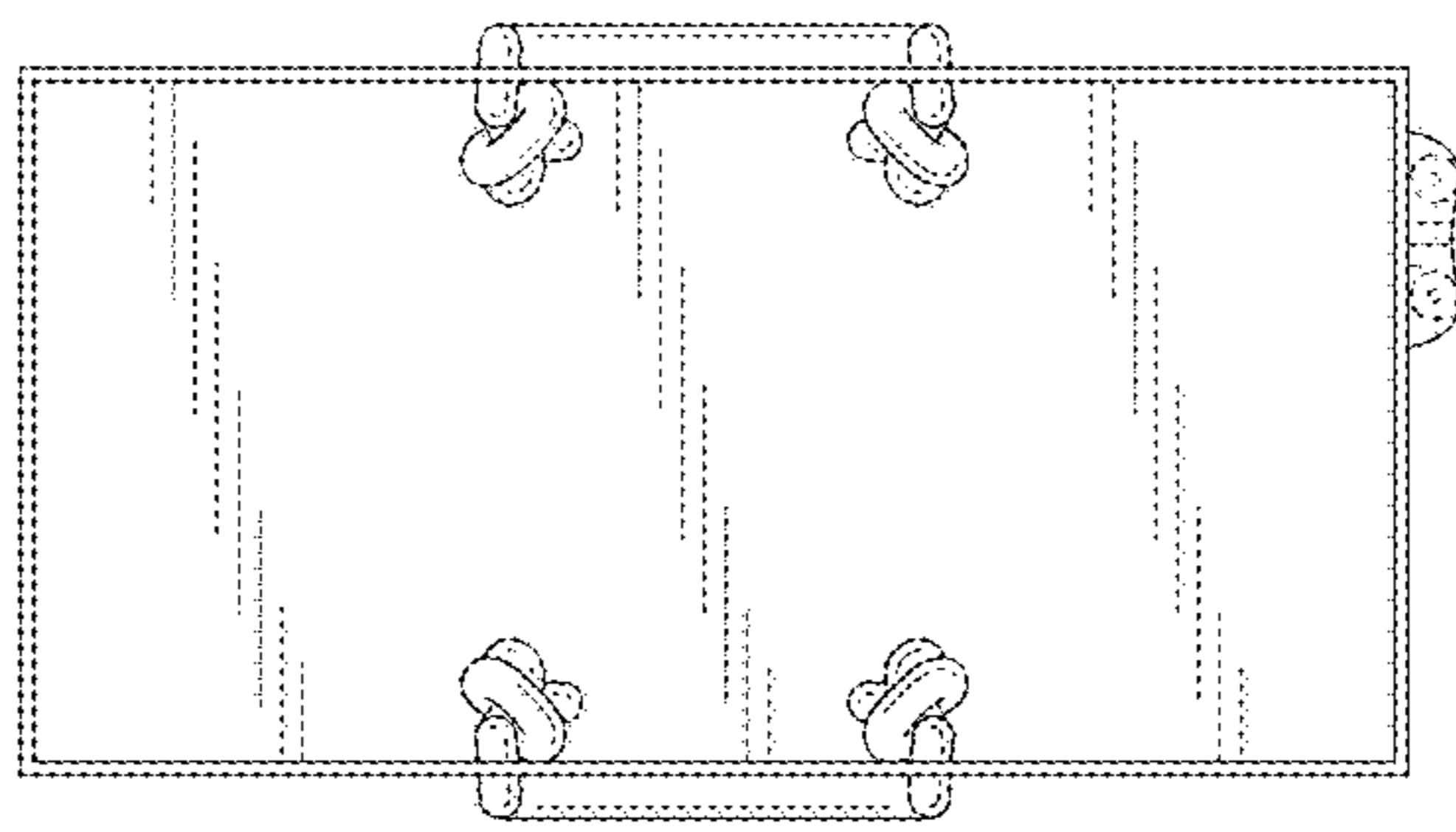


FIG. 5

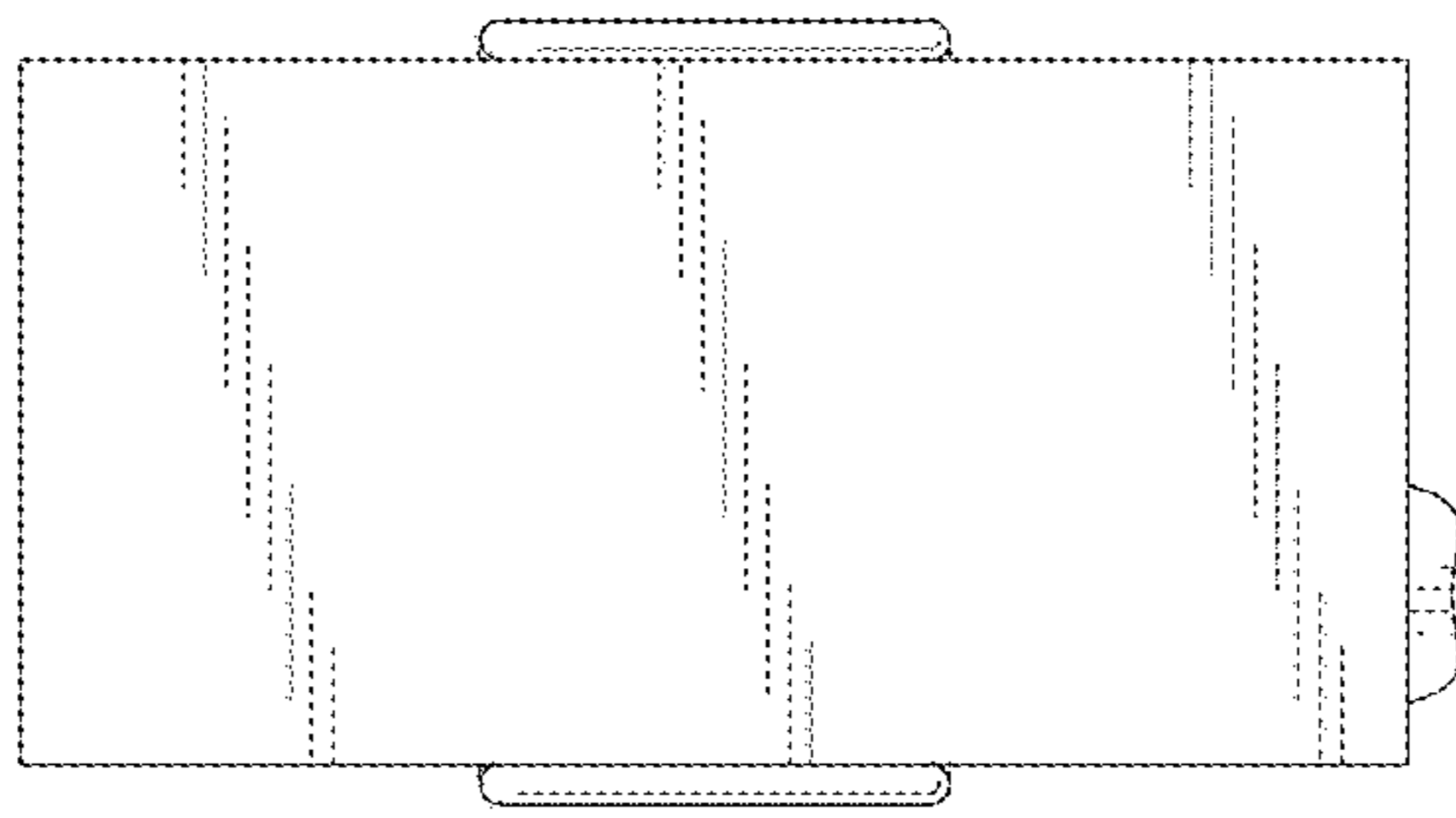


FIG. 6