



(12) **United States Design Patent**
Lee

(10) **Patent No.:** **US D859,998 S**
(45) **Date of Patent:** **** Sep. 17, 2019**

- (54) **COSMETIC CONTAINER**
- (71) Applicant: **PUM-TECH KOREA CO., LTD,**
Incheon (KR)
- (72) Inventor: **Do Hoon Lee,** Incheon (KR)
- (73) Assignee: **PUM-TECH KOREA CO., LTD,**
Incheon (KR)
- (**) Term: **15 Years**
- (21) Appl. No.: **29/636,504**
- (22) Filed: **Feb. 8, 2018**

- 5,165,603 A * 11/1992 Hahn A45D 40/0068
206/823
- 5,465,864 A * 11/1995 McClean B65D 83/0055
220/495.08
- 5,740,964 A * 4/1998 Crampton B05B 3/02
239/333
- D400,783 S * 11/1998 de Mourgues D9/691
- 5,829,648 A * 11/1998 Goeren B01F 13/0052
222/321.7
- D411,100 S * 6/1999 Torres D9/692
- D413,793 S * 9/1999 Favre D9/692
- D423,922 S * 5/2000 Ohchi D9/503
- D434,645 S * 12/2000 Adachi D9/694
- D435,647 S * 12/2000 Shah D24/108
- D523,350 S * 6/2006 Ohmoto D9/690
- D573,035 S * 7/2008 Dean D9/503

(Continued)

(30) **Foreign Application Priority Data**

Aug. 18, 2017 (KR) 30-2017-0038516

- (51) **LOC (12) Cl.** **09-01**
- (52) **U.S. Cl.**
USPC **D9/690; D9/692; D9/503**
- (58) **Field of Classification Search**
USPC D9/682-694, 500-505, 715, 718, 719,
D9/723-729, 737-747, 537-560, 435,
D9/436, 439, 442, 444, 445, 448-450,
D9/452; D28/76-91
CPC B05B 11/00-3098; A45D 34/02; A45D
34/04; A45D 2034/002; A45D 2200/054;
A45D 2200/055; A45D 2200/056; A45D
2200/057
See application file for complete search history.

(56) **References Cited**

U.S. PATENT DOCUMENTS

- D248,927 S * 8/1978 Cassia D9/500
- 4,173,297 A * 11/1979 Petterson B05B 11/3063
222/321.2
- 4,251,032 A * 2/1981 Werding B05B 1/3442
239/323

FOREIGN PATENT DOCUMENTS

- CN 3518378 * 4/2006
- CN 302187352 * 11/2012

(Continued)

Primary Examiner — Catherine A Tuttle

(74) *Attorney, Agent, or Firm* — Heedong Chae; Lucem,
PC

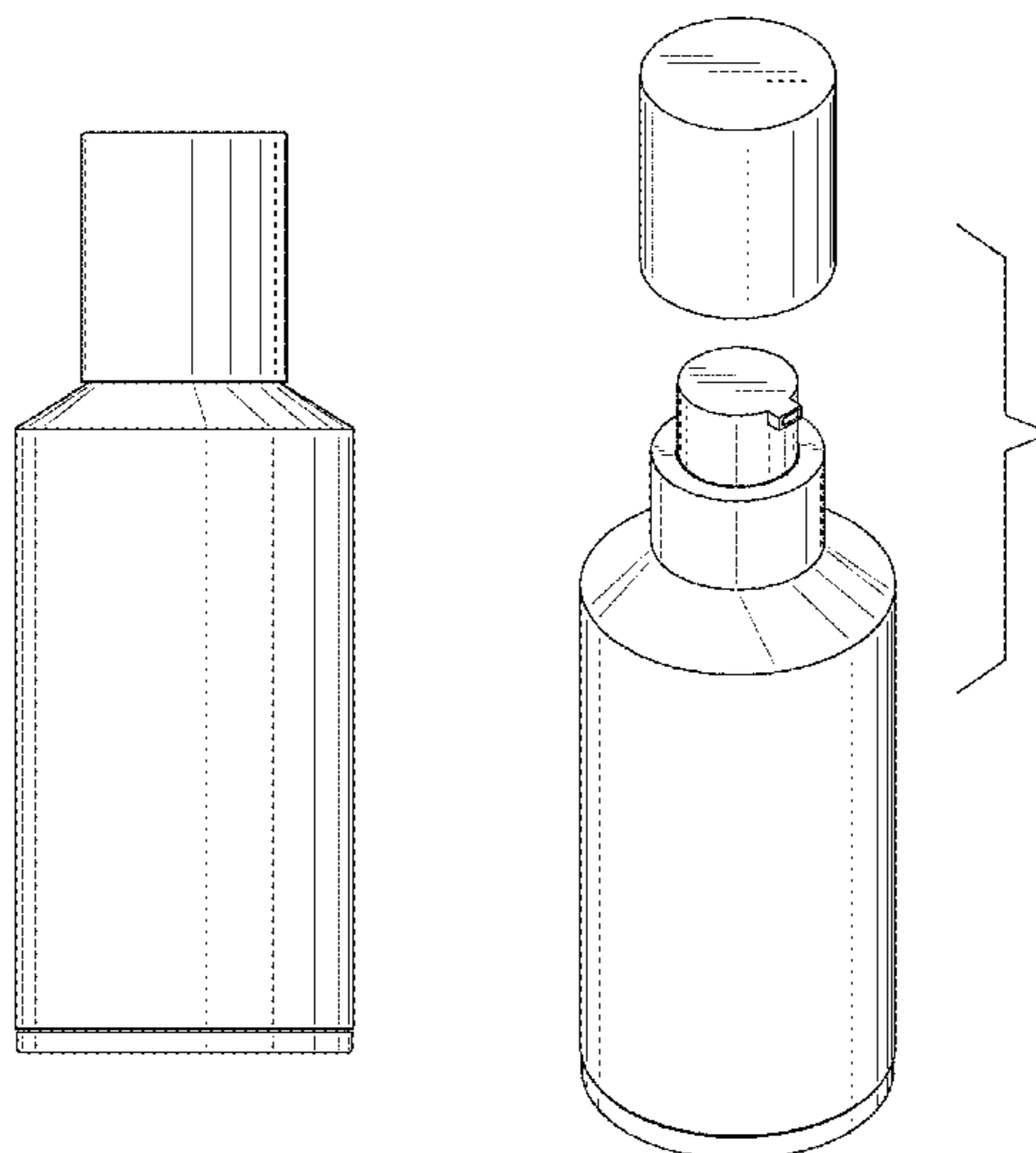
(57) **CLAIM**

The ornamental design for a cosmetic container, as shown
and described.

DESCRIPTION

FIG. 1 is a perspective view of the cosmetic container showing my new design;
FIG. 2 is a side elevational view thereof;
FIG. 3 is a top plan view thereof;
FIG. 4 is a bottom plan view thereof; and,
FIG. 5 is an exploded perspective view thereof.
The broken lines in FIG. 4 are included for the purpose of illustrating the portions of the cosmetic container that form no part of the claimed design.

1 Claim, 4 Drawing Sheets



(56)

References Cited

U.S. PATENT DOCUMENTS

D625,198	S	*	10/2010	Hall	D9/690
D643,743	S	*	8/2011	Yu	D9/689
D676,764	S	*	2/2013	Moore	B65D 7/04
						D9/500
D680,443	S	*	4/2013	You	D9/691
D735,052	S	*	7/2015	Hwang	D9/690
D781,662	S	*	3/2017	Seiders	D7/510
D818,840	S	*	5/2018	Nagata	D9/692
2002/0114657	A1	*	8/2002	Gueret	A45D 34/04
						401/130
2003/0222103	A1	*	12/2003	Sawicki	B05B 11/3049
						222/182
2015/0342411	A1	*	12/2015	Son	B05B 11/0081
						366/130
2016/0318054	A1	*	11/2016	Dumont	A45D 34/00
2018/0044099	A1	*	2/2018	Nakajima	A61Q 19/00

FOREIGN PATENT DOCUMENTS

DE	M9205743-0001	*	5/1993
KR	300252868.0003	*	8/2006
KR	300528650.0000	*	5/2009
KR	300550660.0000	*	1/2010
KR	300566794.0000	*	7/2010
KR	300804578.0000	*	7/2015
KR	300878085.0000	*	10/2016

* cited by examiner

FIG. 1

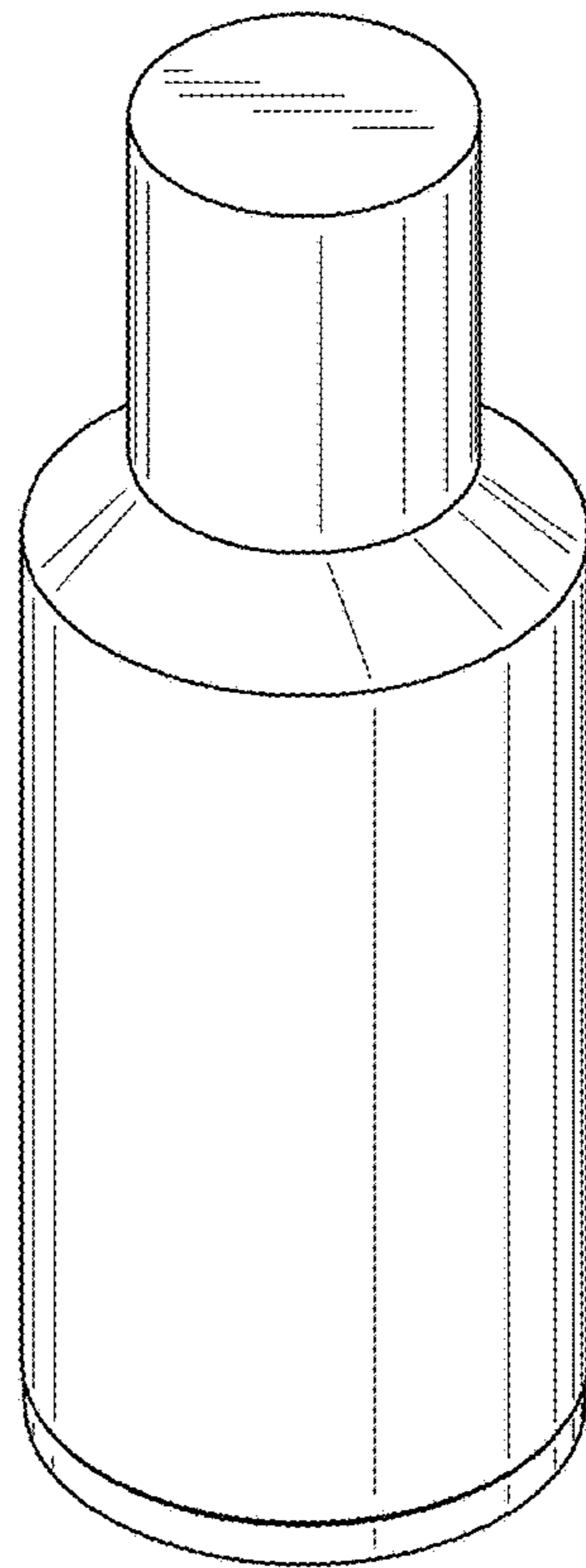


FIG. 2

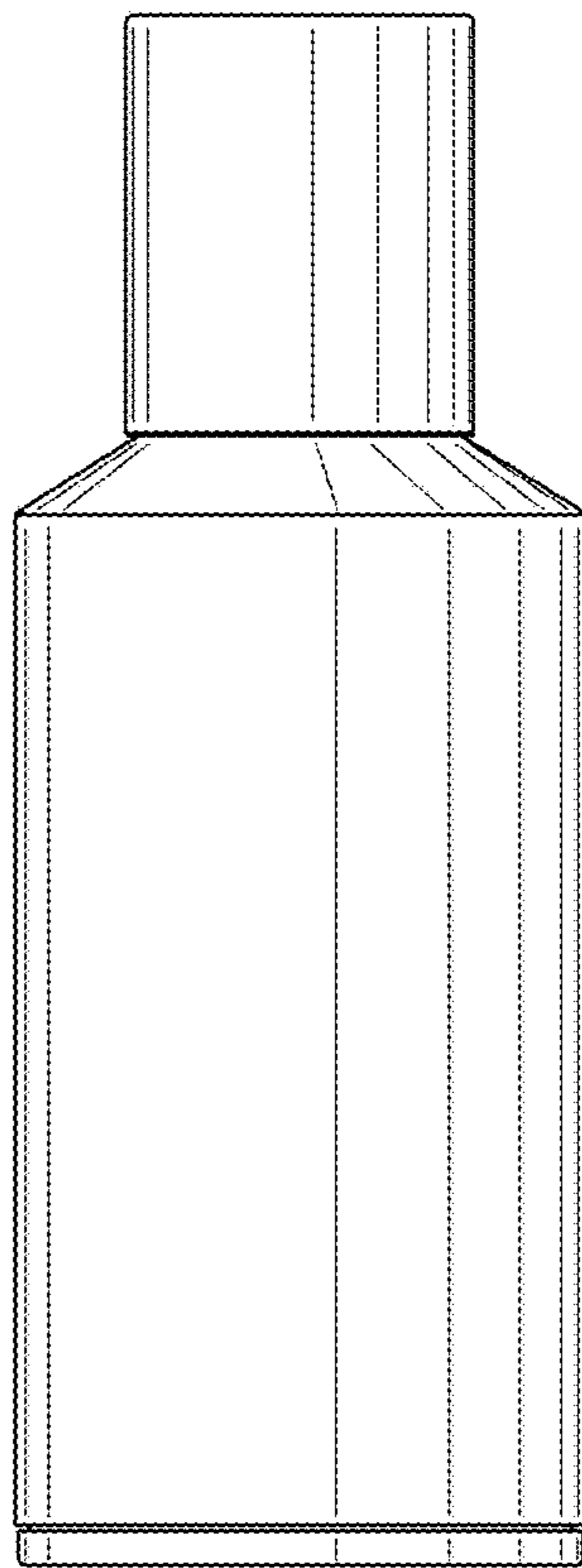


FIG. 3

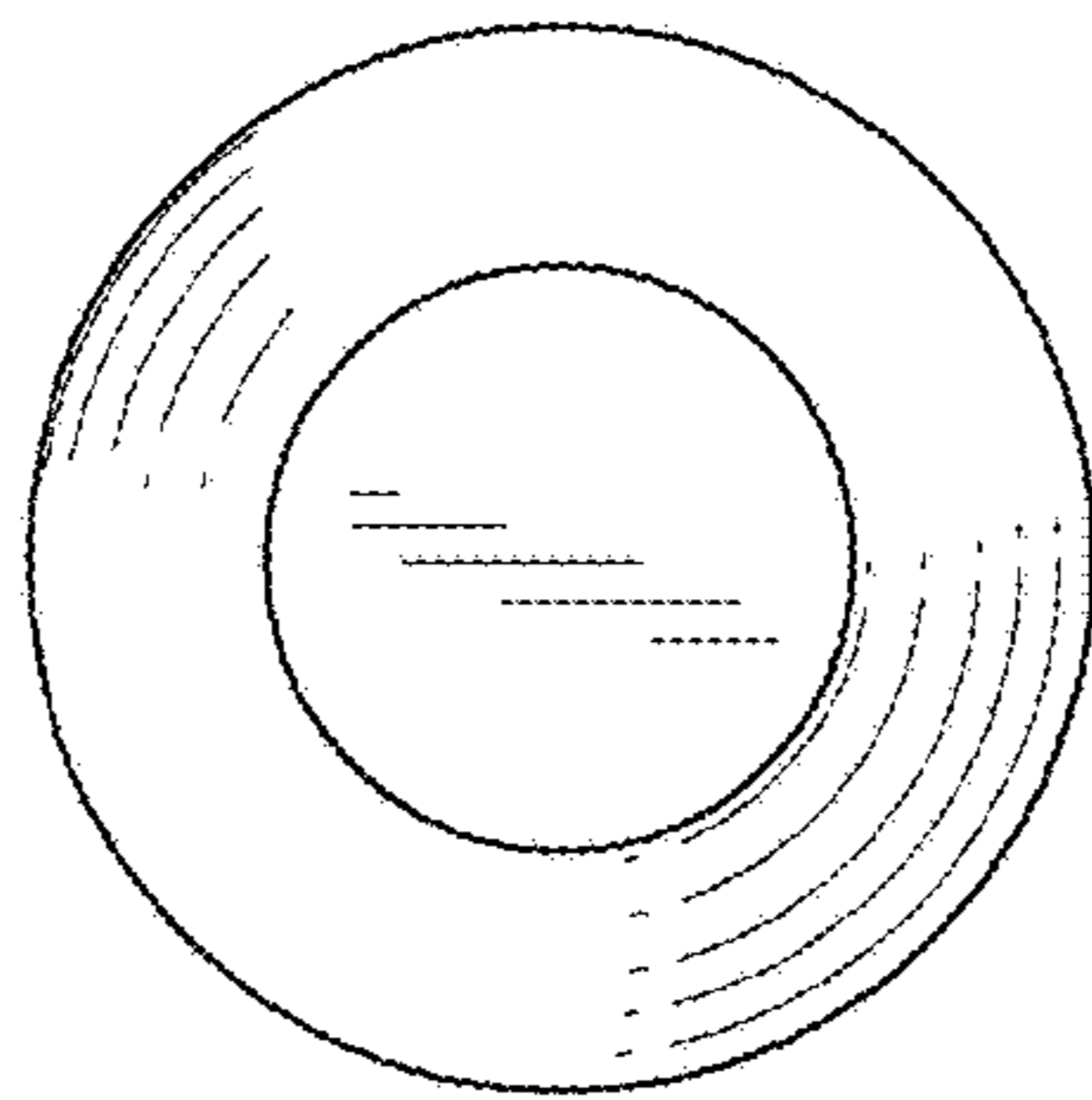


FIG. 4

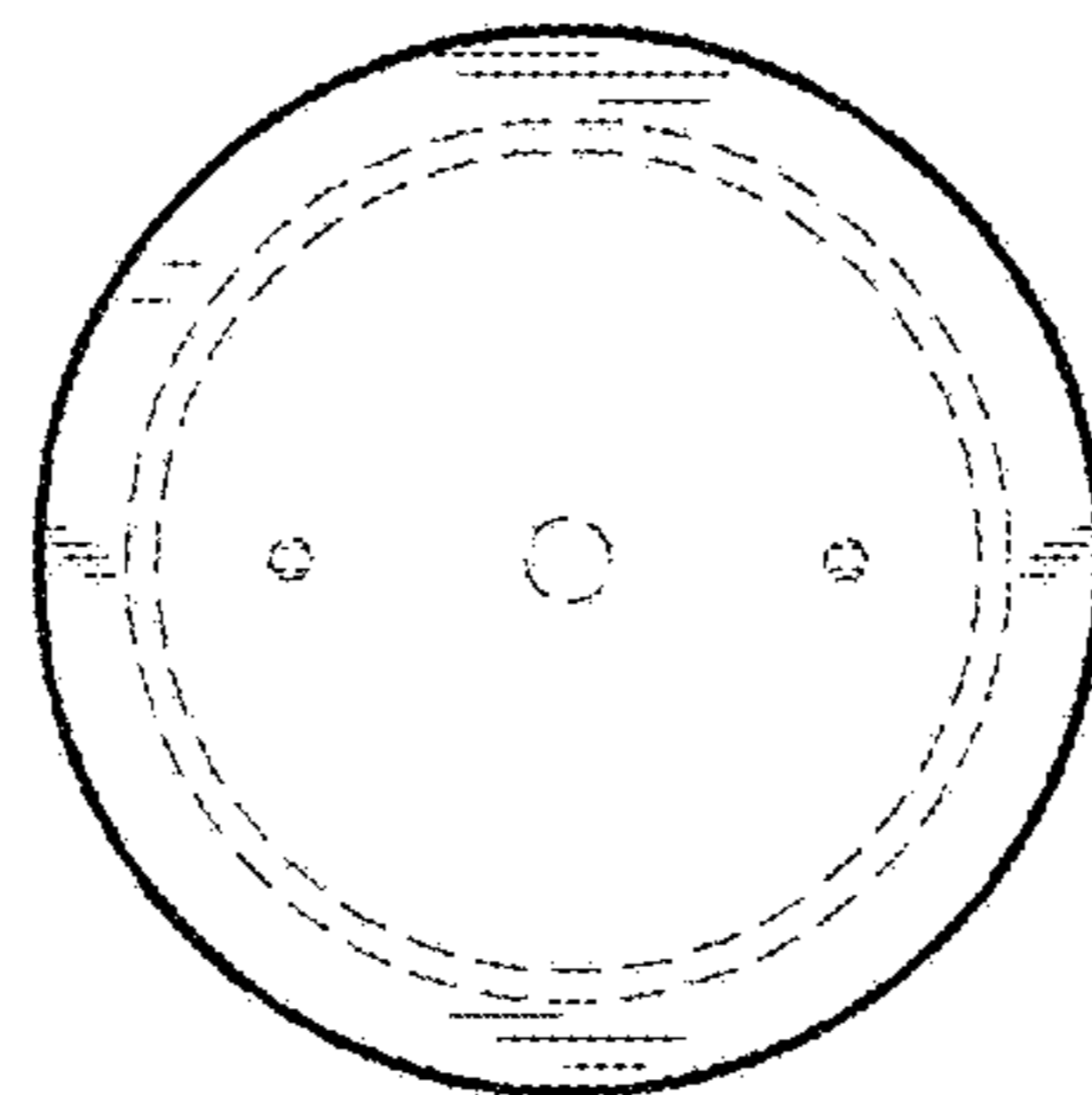


FIG. 5

