



US00D85997S

(12) **United States Design Patent**  
**Lee**

(10) **Patent No.:** **US D859,997 S**

(45) **Date of Patent:** **\*\* Sep. 17, 2019**

- (54) **COSMETIC CONTAINER**
- (71) Applicant: **PUM-TECH KOREA CO., LTD,**  
Incheon (KR)
- (72) Inventor: **Do Hoon Lee,** Incheon (KR)
- (73) Assignee: **PUM-TECH KOREA CO., LTD,**  
Incheon (KR)
- (\*\*) Term: **15 Years**
- (21) Appl. No.: **29/636,472**

- 5,465,864 A \* 11/1995 McClean ..... B65D 83/0055  
220/495.08
  - 5,740,964 A \* 4/1998 Crampton ..... B05B 3/02  
239/333
  - D400,783 S \* 11/1998 de Mourgues ..... D9/691
  - 5,829,648 A \* 11/1998 Goeren ..... B01F 13/0052  
222/321.7
  - D411,100 S \* 6/1999 Torres ..... D9/692
  - D413,793 S \* 9/1999 Favre ..... D9/692
  - D423,922 S \* 5/2000 Ohchi ..... D9/503
  - D434,645 S \* 12/2000 Adachi ..... D9/694
  - D435,647 S \* 12/2000 Shah ..... D24/108
  - D523,350 S \* 6/2006 Ohmoto ..... D9/690
  - D573,035 S \* 7/2008 Dean ..... D9/503
- (Continued)

- (22) Filed: **Feb. 8, 2018**
- (30) **Foreign Application Priority Data**  
Aug. 10, 2017 (KR) ..... 30-2017-0037291
- (51) **LOC (12) Cl.** ..... **09-01**
- (52) **U.S. Cl.**  
USPC ..... **D9/690; D9/692; D9/504**
- (58) **Field of Classification Search**  
USPC ..... D9/682-694, 500-505, 715, 718, 719,  
D9/723-729, 737-747, 537-560, 435,  
D9/436, 439, 442, 444, 445, 448-450,  
D9/452; D28/76-91  
CPC ..... B05B 11/00-3098; A45D 34/02; A45D  
34/04; A45D 2034/002; A45D 2200/054;  
A45D 2200/055; A45D 2200/056; A45D  
2200/057  
See application file for complete search history.

**FOREIGN PATENT DOCUMENTS**

- KR 300252868.0003 \* 8/2006
  - KR 300549598.0000 \* 1/2010
- (Continued)

*Primary Examiner* — Catherine A Tuttle  
(74) *Attorney, Agent, or Firm* — Heedong Chae; Lucem,  
PC

(57) **CLAIM**

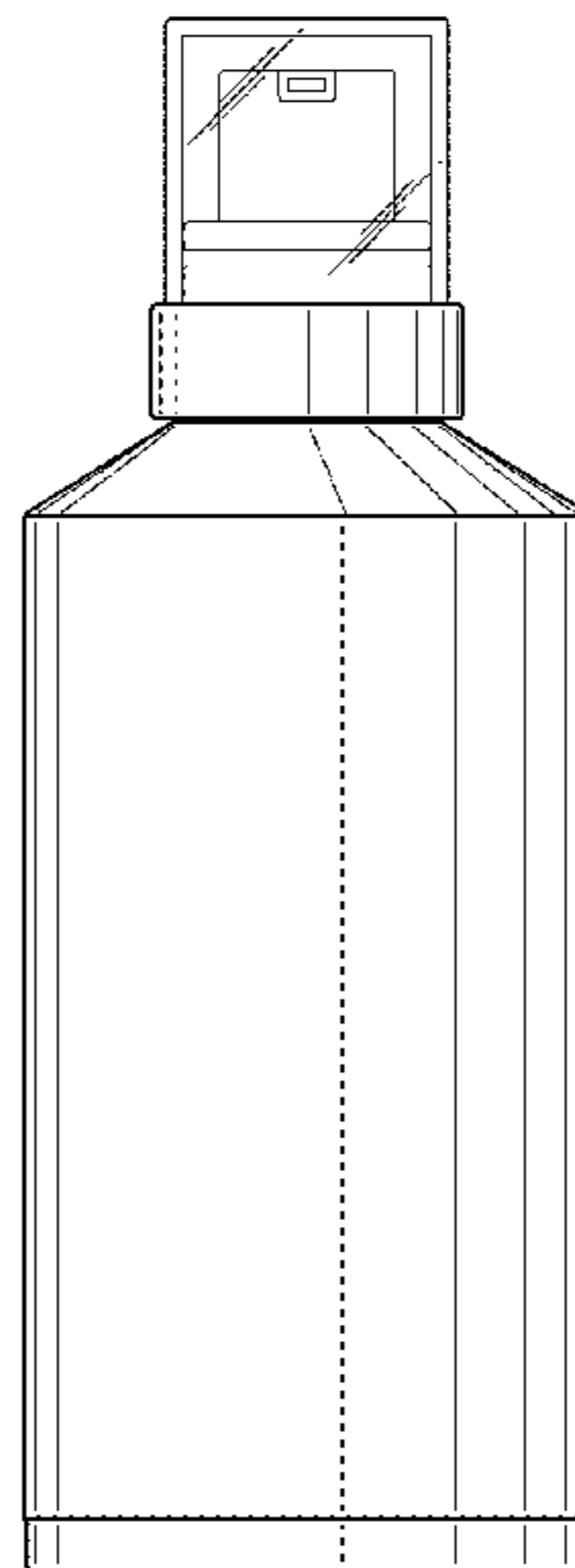
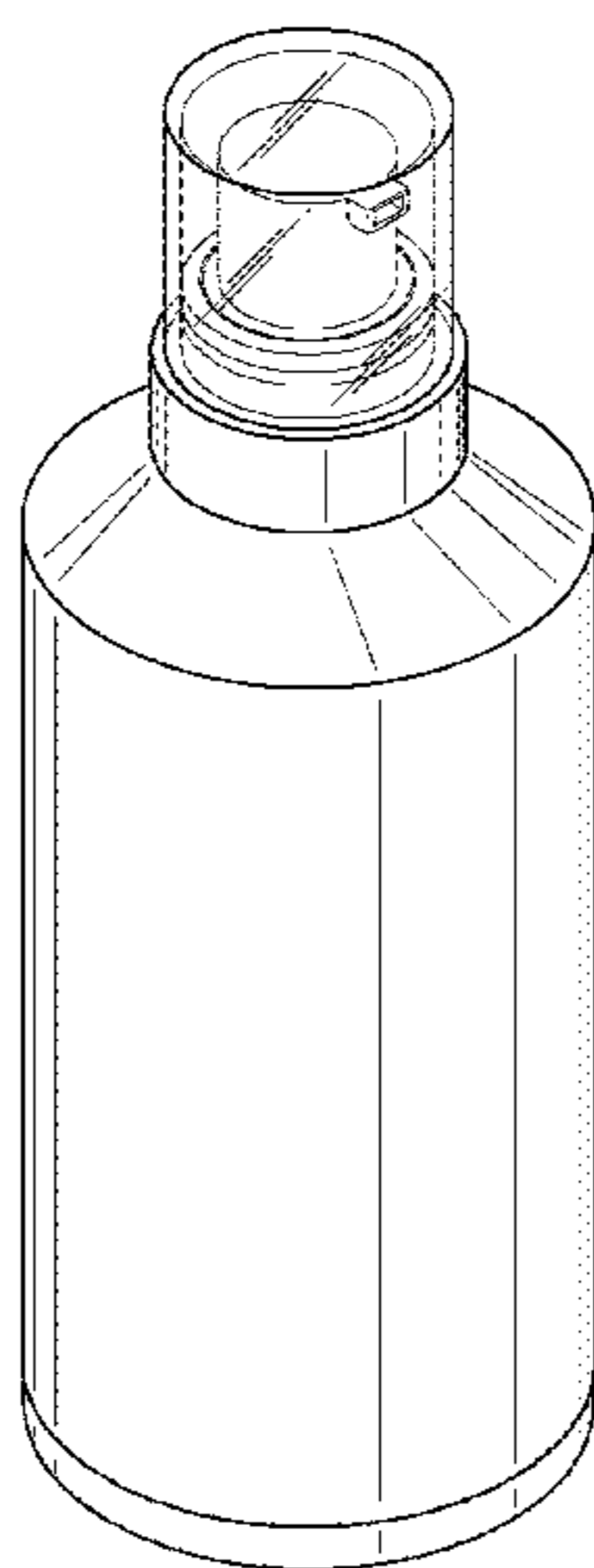
The ornamental design for a cosmetic container, as shown and described.

**DESCRIPTION**

FIG. 1 is a perspective view of the cosmetic container showing my new design;  
 FIG. 2 is a front elevational view thereof;  
 FIG. 3 is a rear elevational view thereof;  
 FIG. 4 is a left side elevational view thereof;  
 FIG. 5 is a right side elevational view thereof;  
 FIG. 6 is a top plan view thereof; and,  
 FIG. 7 is a bottom plan view thereof.  
 The broken lines in FIG. 7 are included for the purpose of illustrating the portions of the cosmetic container that form no part of the claimed design.

- (56) **References Cited**  
U.S. PATENT DOCUMENTS  
D248,927 S \* 8/1978 Cassia ..... D9/500  
4,173,297 A \* 11/1979 Pettersen ..... B05B 11/3063  
222/321.2  
5,165,603 A \* 11/1992 Hahn ..... A45D 40/0068  
206/823

**1 Claim, 6 Drawing Sheets**



(56)

**References Cited**

U.S. PATENT DOCUMENTS

D625,198	S	*	10/2010	Hall	.....	D9/690
D643,743	S	*	8/2011	Yu	.....	D9/689
D676,764	S	*	2/2013	Moore	.....	B65D 7/04 D9/500
D680,443	S	*	4/2013	You	.....	D9/691
D735,052	S	*	7/2015	Hwang	.....	D9/690
D781,662	S	*	3/2017	Seiders	.....	D7/510
D818,840	S	*	5/2018	Nagata	.....	D9/692
2002/0114657	A1	*	8/2002	Gueret	.....	A45D 34/04 401/130
2003/0222103	A1	*	12/2003	Sawicki	.....	B05B 11/3049 222/182
2015/0342411	A1	*	12/2015	Son	.....	B05B 11/0081 366/130
2016/0318054	A1	*	11/2016	Dumont	.....	A45D 34/00
2018/0044099	A1	*	2/2018	Nakajima	.....	A61Q 19/00

FOREIGN PATENT DOCUMENTS

KR	300550659.0000	*	1/2010
KR	300550660.0000	*	1/2010
KR	300583052.0000	*	12/2010
KR	300693488.0000	*	5/2013
KR	300804578.0000	*	7/2015
KR	300878085.0000	*	10/2016
KR	300894394.0000	*	2/2017

\* cited by examiner

FIG. 1

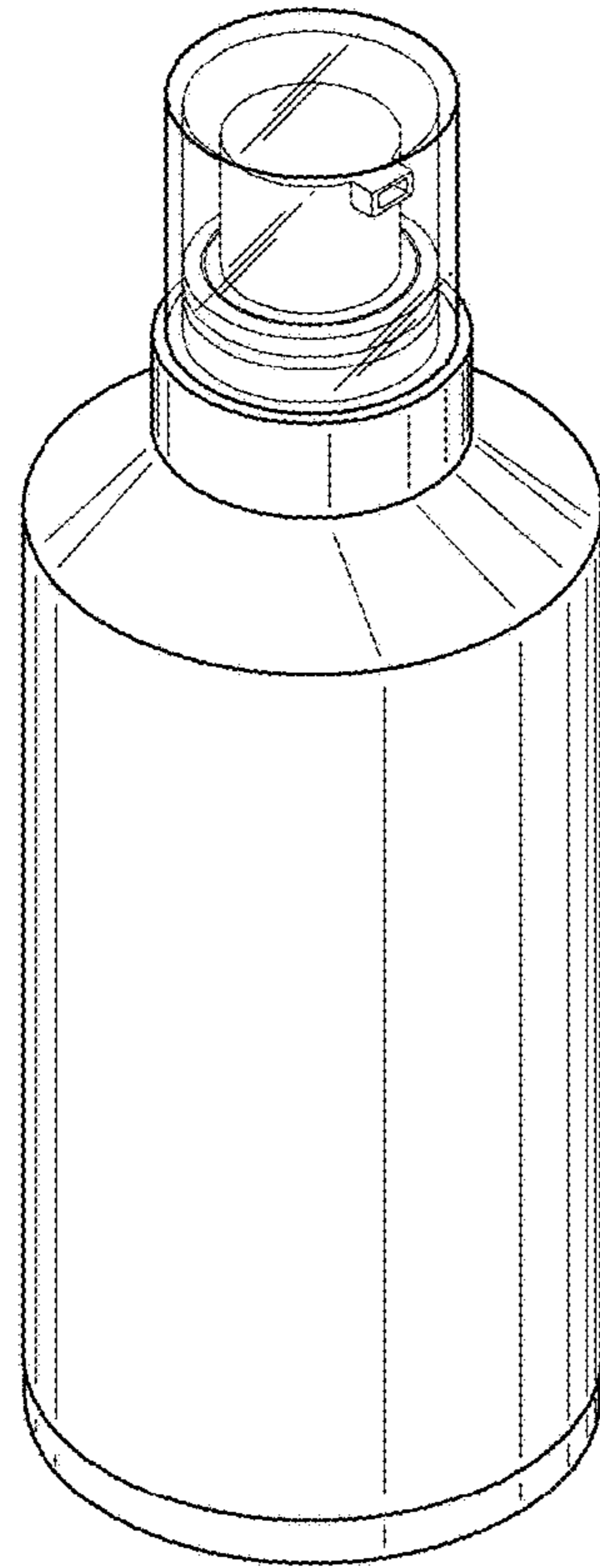


FIG.2

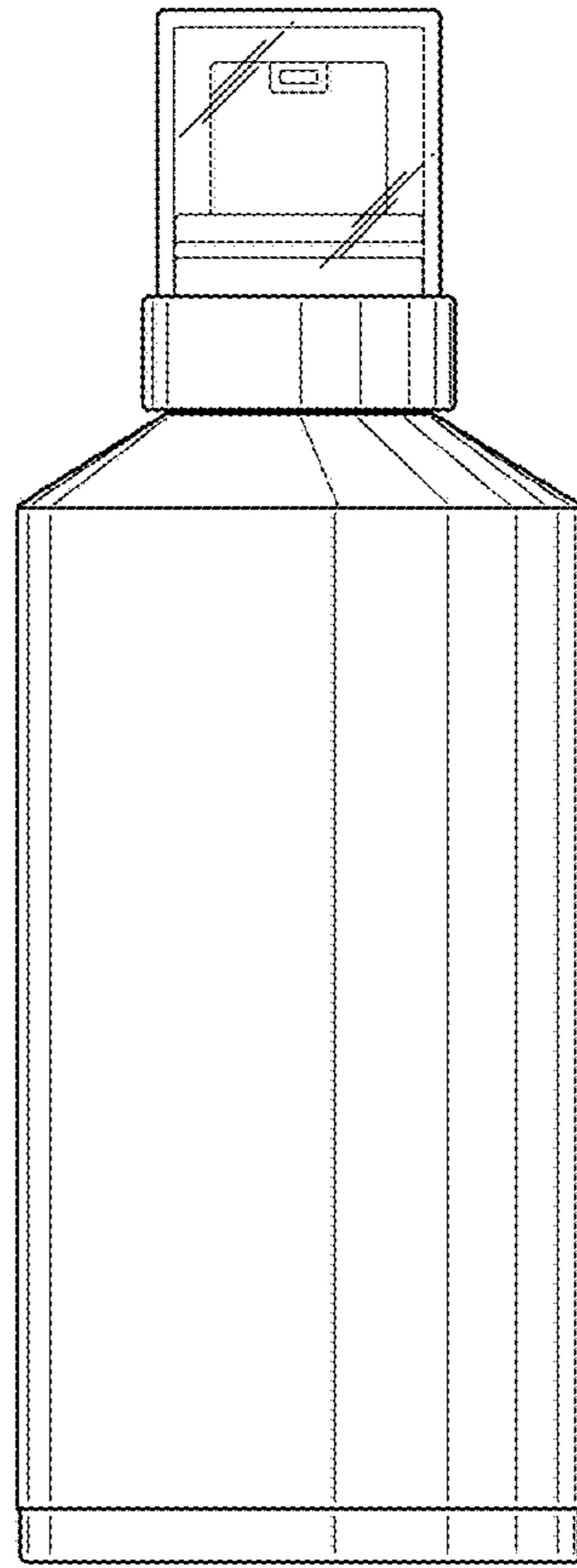


FIG.3

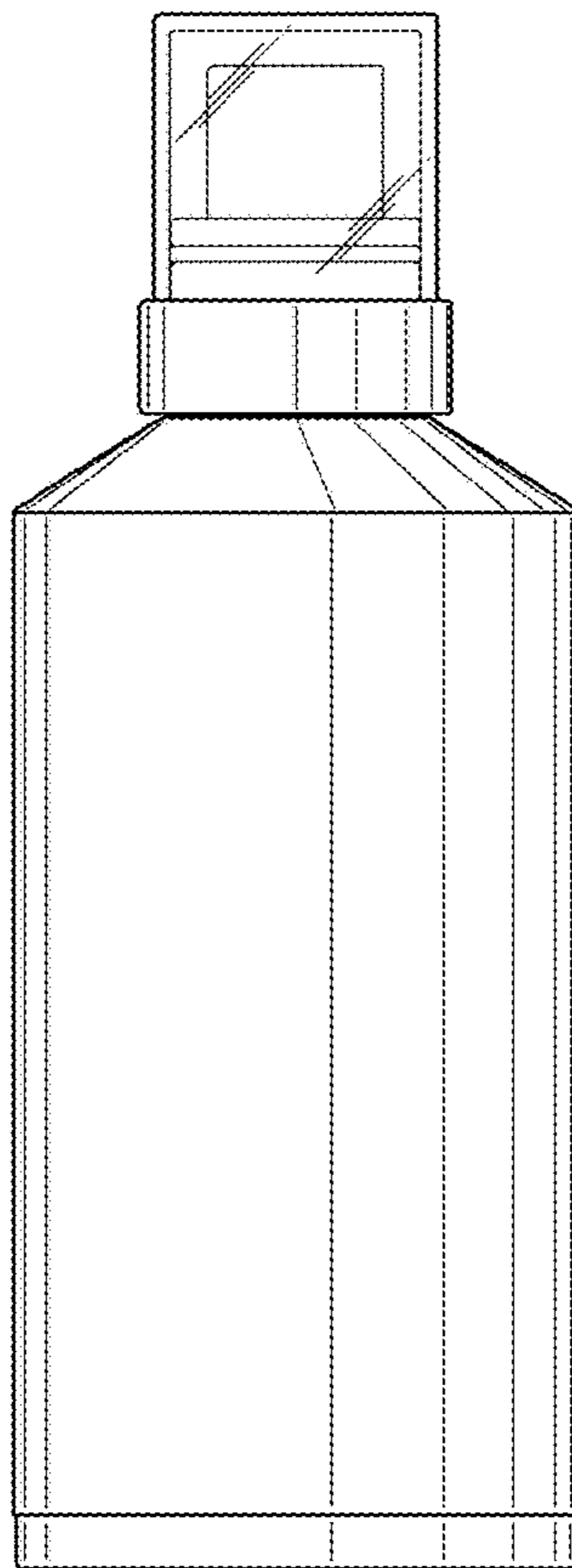


FIG.4

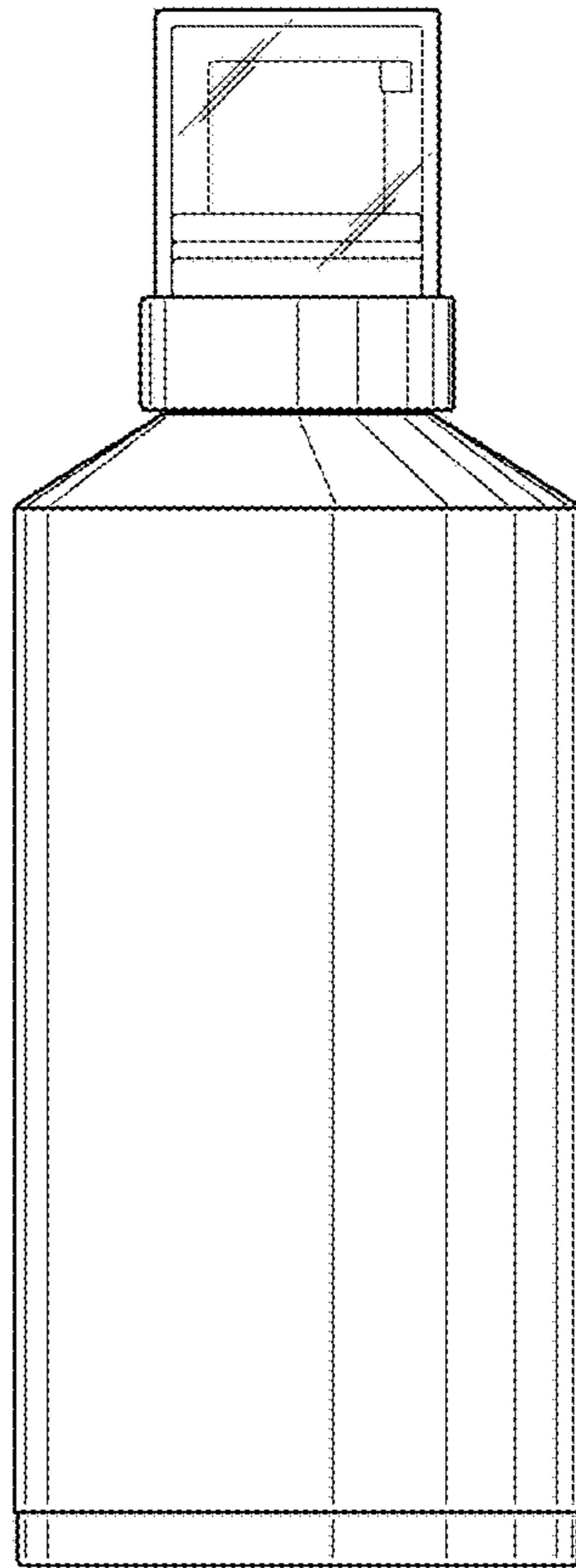


FIG.5

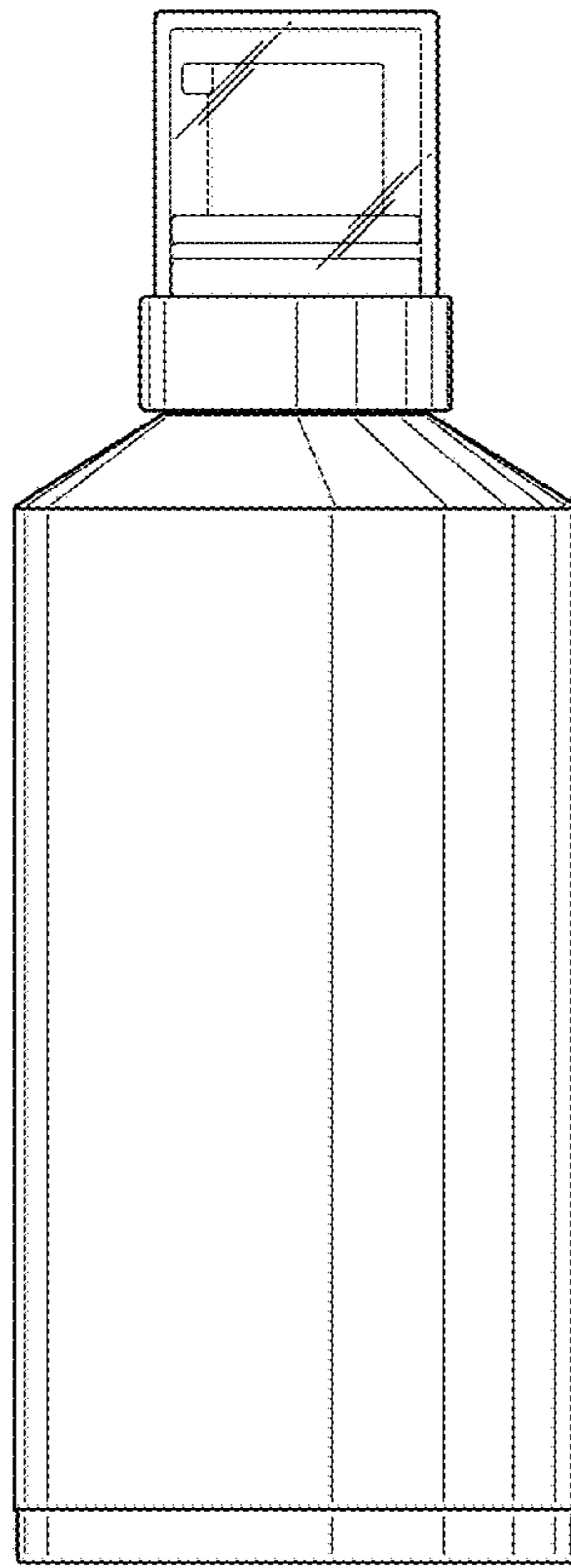


FIG.6

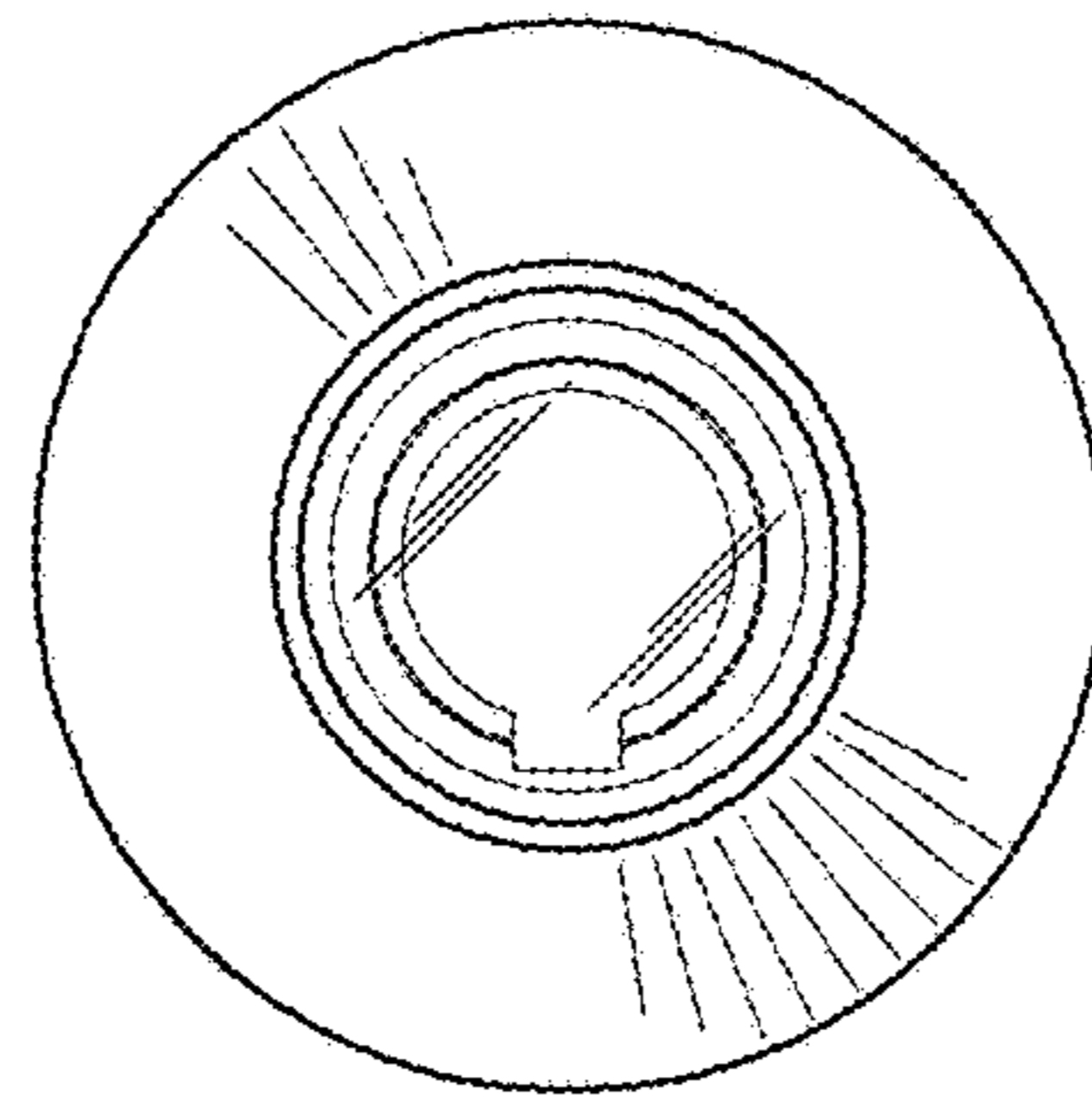


FIG.7

