



US00D859995S

(12) **United States Design Patent** (10) **Patent No.:** **US D859,995 S**
Mai (45) **Date of Patent:** **** Sep. 17, 2019**

- (54) **LETTER SHAPED LIQUOR BOTTLE**
- (71) Applicant: **Andy Nguyen Mai**, Lynnwood, WA (US)
- (72) Inventor: **Andy Nguyen Mai**, Lynnwood, WA (US)
- (**) Term: **15 Years**
- (21) Appl. No.: **29/604,307**
- (22) Filed: **May 16, 2017**

D253,033 S *	10/1979	Meyer	D9/544
D311,866 S	11/1990	Karlin		
D380,960 S	7/1997	Blotsky		
D412,851 S	8/1999	Nosella		
D466,410 S	12/2002	De Baschmakoff		
D602,810 S *	10/2009	Shatley	D11/120
D656,838 S	4/2012	Mouquet		
D687,313 S	8/2013	Limback		
D693,695 S	11/2013	Limback		
D694,644 S	12/2013	Limback		
D695,625 S	12/2013	Limback		
D697,813 S	1/2014	Limback		
2003/0141269 A1	7/2003	Roderick		

Related U.S. Application Data

- (63) Continuation of application No. 29/536,937, filed on Aug. 20, 2015, now Pat. No. Des. 790,356, which is a continuation of application No. 29/491,740, filed on May 23, 2014, now Pat. No. Des. 739,257.
- (51) **LOC (12) Cl.** **09-01**
- (52) **U.S. Cl.**
USPC **D9/652**
- (58) **Field of Classification Search**
USPC D9/600, 652, 500-505, 516, 522, D9/529-530, 537-546, 548-561, D9/572-575, 434-454; 206/457, 494, 206/459.5, 527, 540; 229/116.1; 215/381-384, 400; 446/77; D7/514-516, D7/539, 544, 571, 579, 604, 613, 619.2, D7/628-630, 391-392.1; D3/270-271.3
CPC B65D 67/00; B65D 81/36; B65D 81/60; B65D 81/368; B65D 2203/00; B65D 2203/02; A63H 33/16
See application file for complete search history.

(56) **References Cited**

U.S. PATENT DOCUMENTS

- D81,619 S * 7/1930 Blunt D9/652
- D117,605 S 11/1939 Blunt

OTHER PUBLICATIONS

Box Vox, "ABC Bottles", Feb. 22, 2012, available at <http://www.beachpackagingdesign.com/wp/2012/02/abc-bottles.html>, 4 pages.

* cited by examiner

Primary Examiner — Sandra L Morris

(74) *Attorney, Agent, or Firm* — Wooshik Shim; John D. Houvener; Bold IP, PLLC

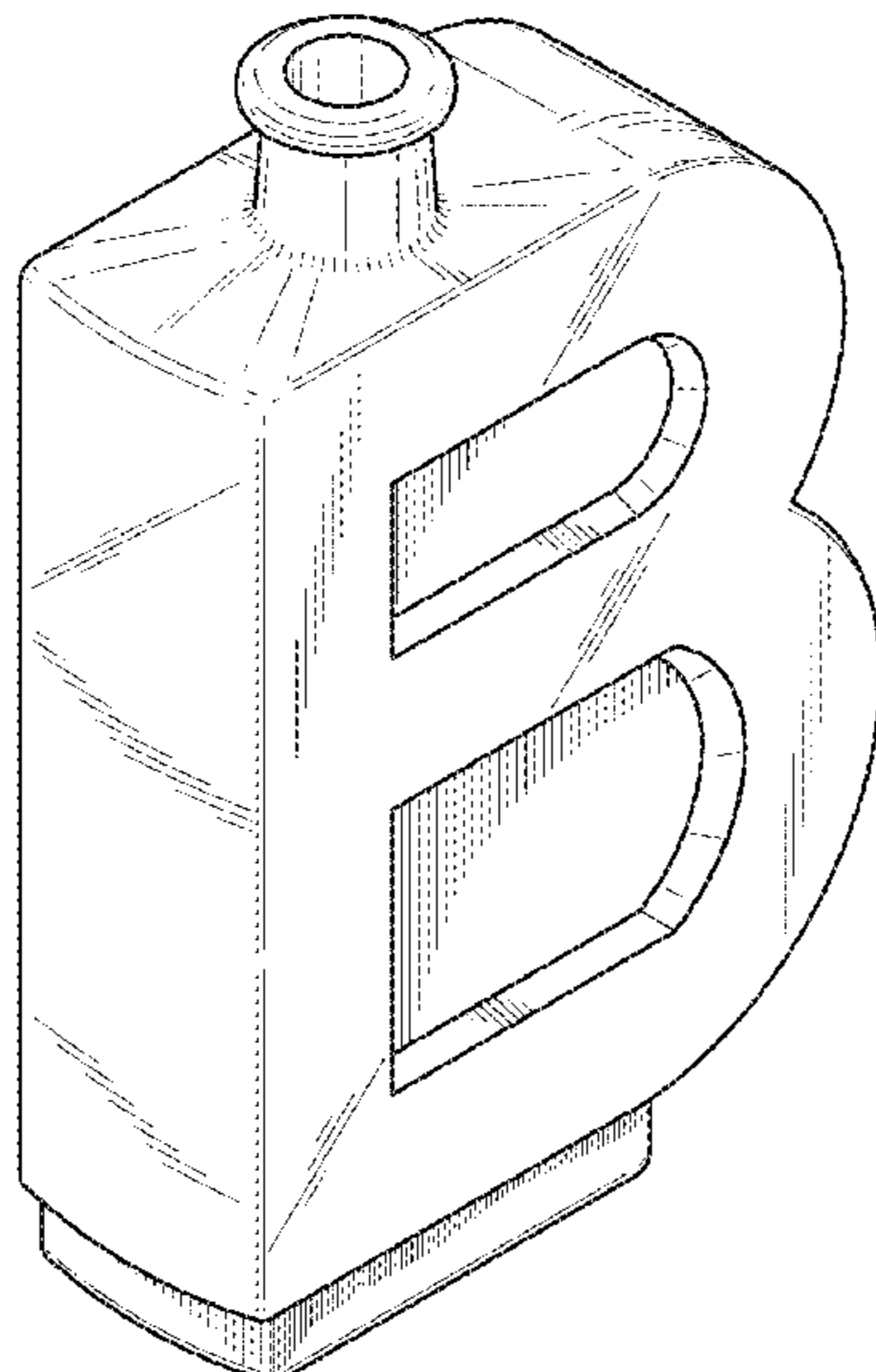
(57) **CLAIM**

The ornamental design for letter shaped liquor bottle, as shown and described.

DESCRIPTION

FIG. 1 is a perspective view of an alternate embodiment of the letter shaped liquor bottle, or portion thereof, showing my new design;
 FIG. 2 is a front view thereof;
 FIG. 3 is a right view thereof;
 FIG. 4 is a left view thereof;
 FIG. 5 is a top view thereof; and,
 FIG. 6 is a bottom view thereof.
 Any broken lines in the figures are shown for illustrative purposes only and form no part of the claimed design.

1 Claim, 3 Drawing Sheets



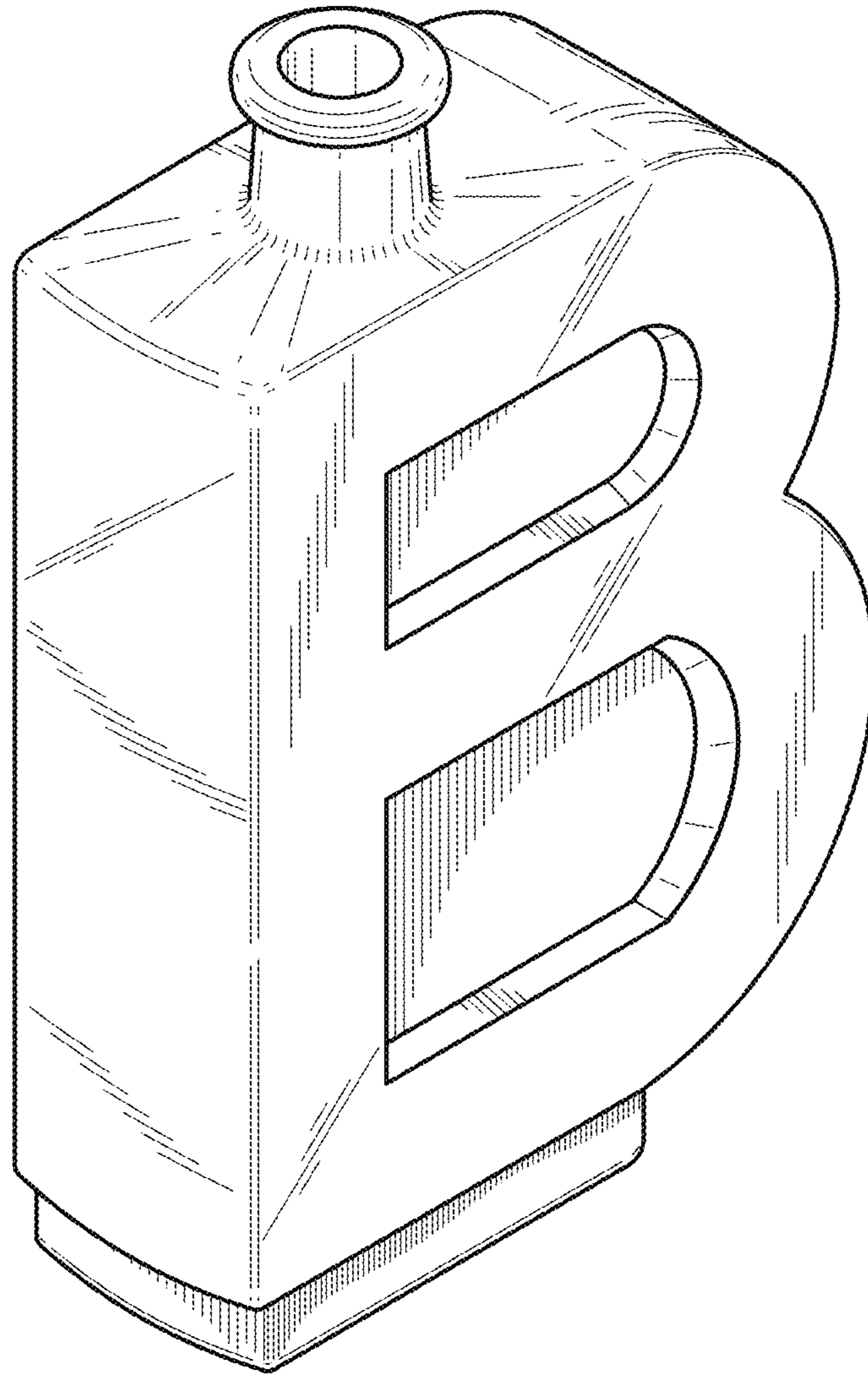


FIG. 1

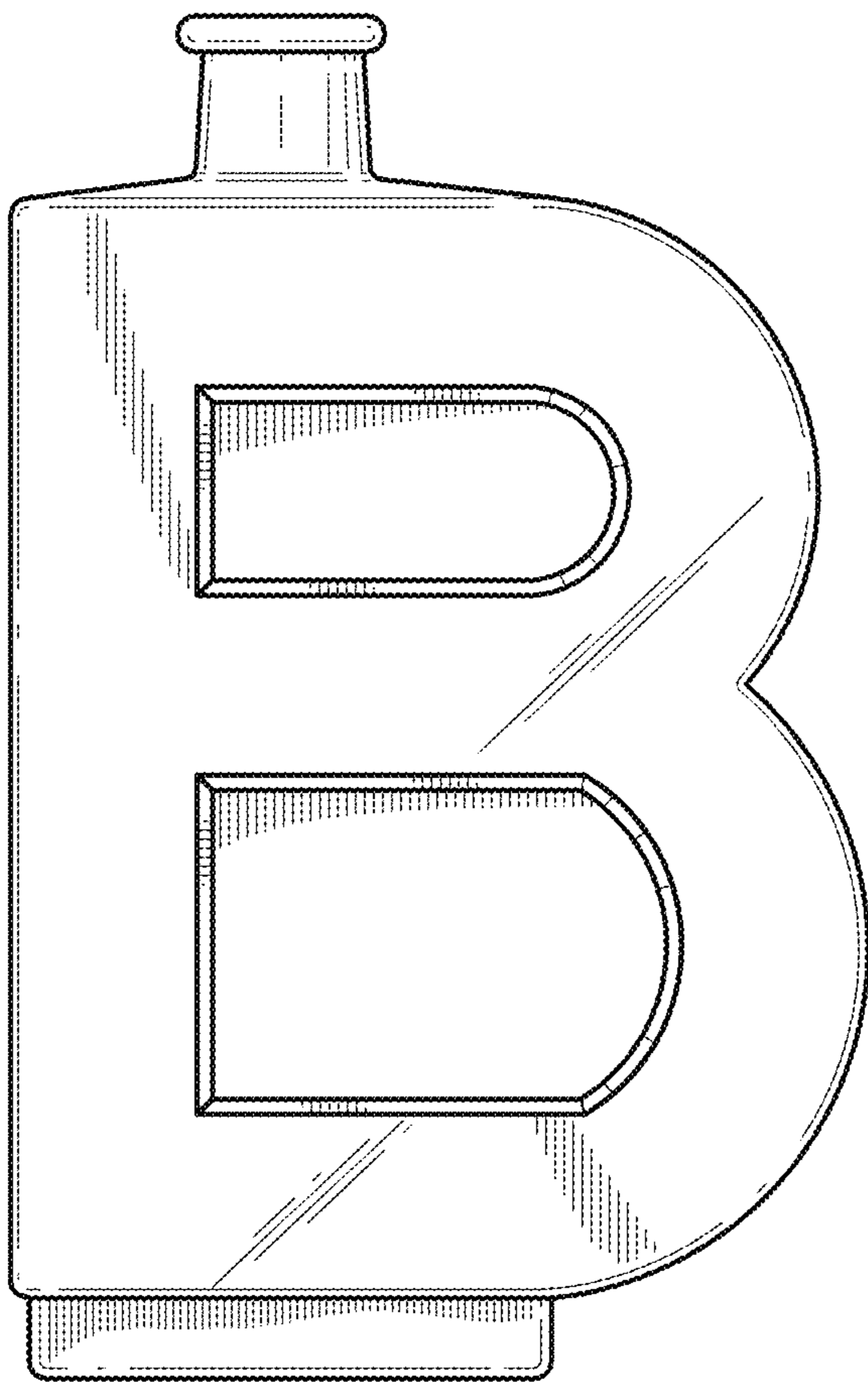


FIG. 2

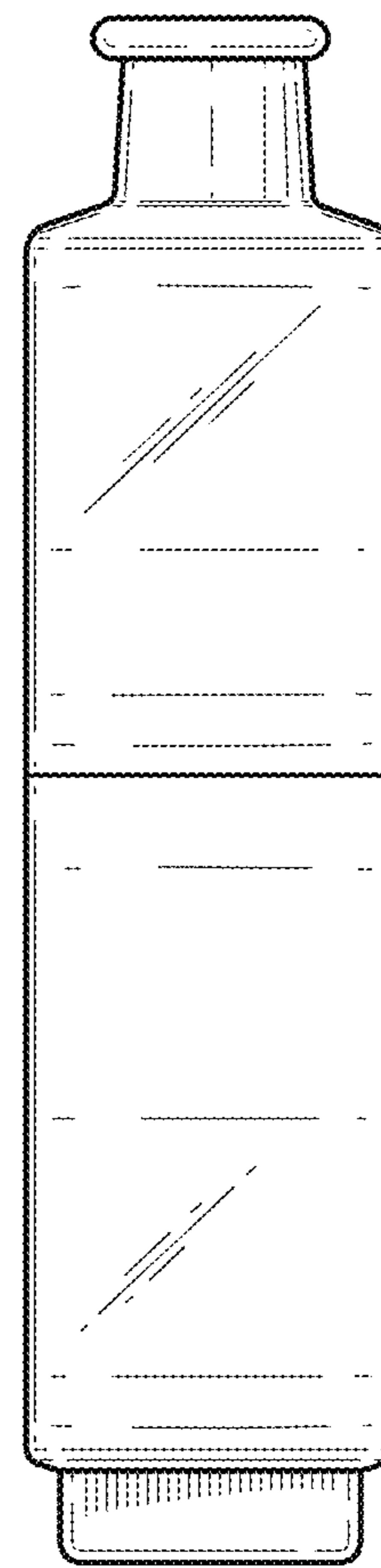


FIG. 3

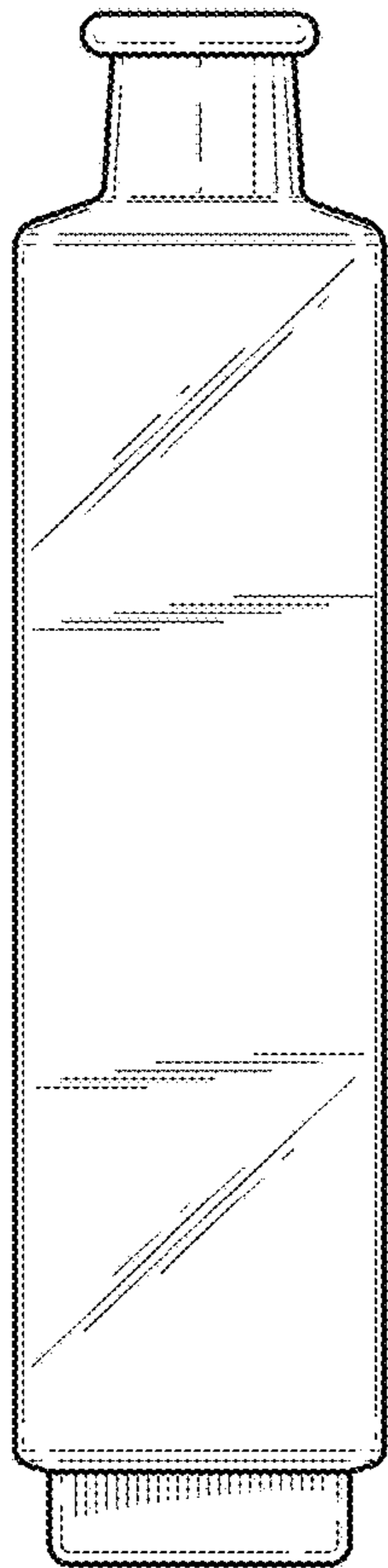


FIG. 4

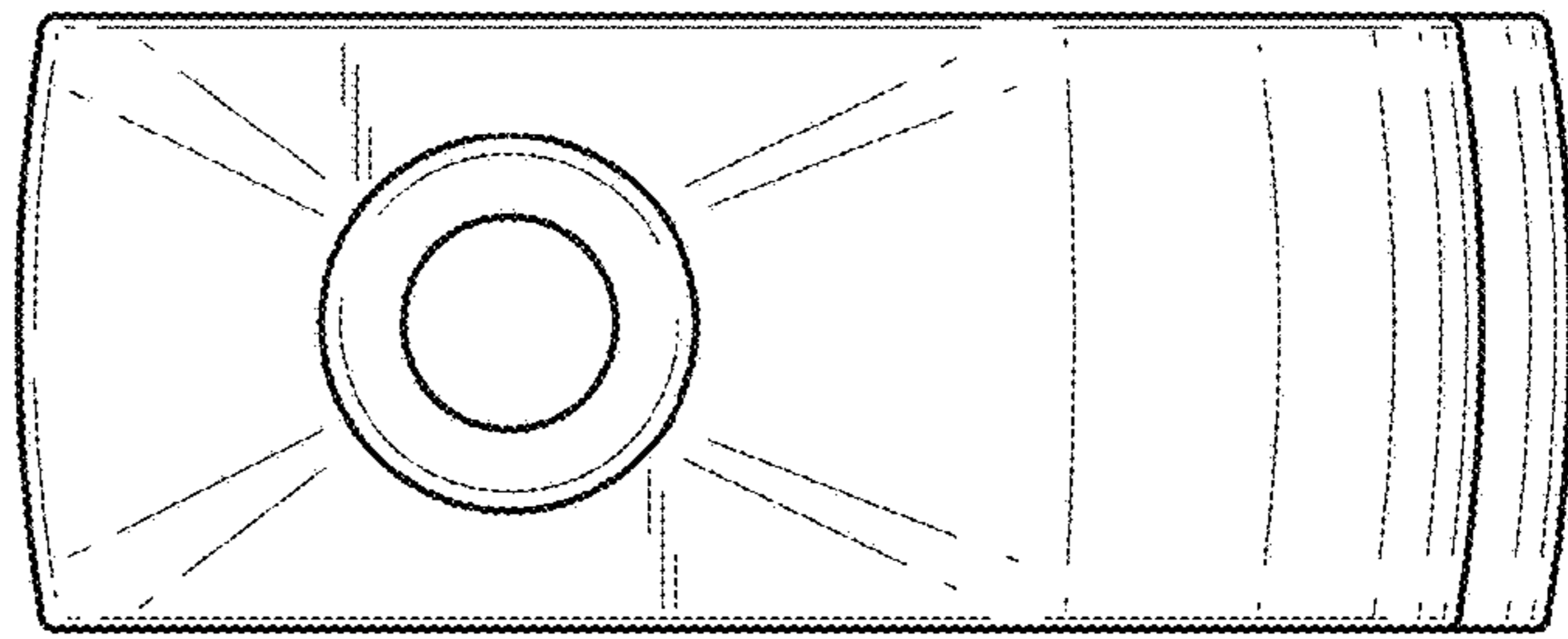


FIG. 5

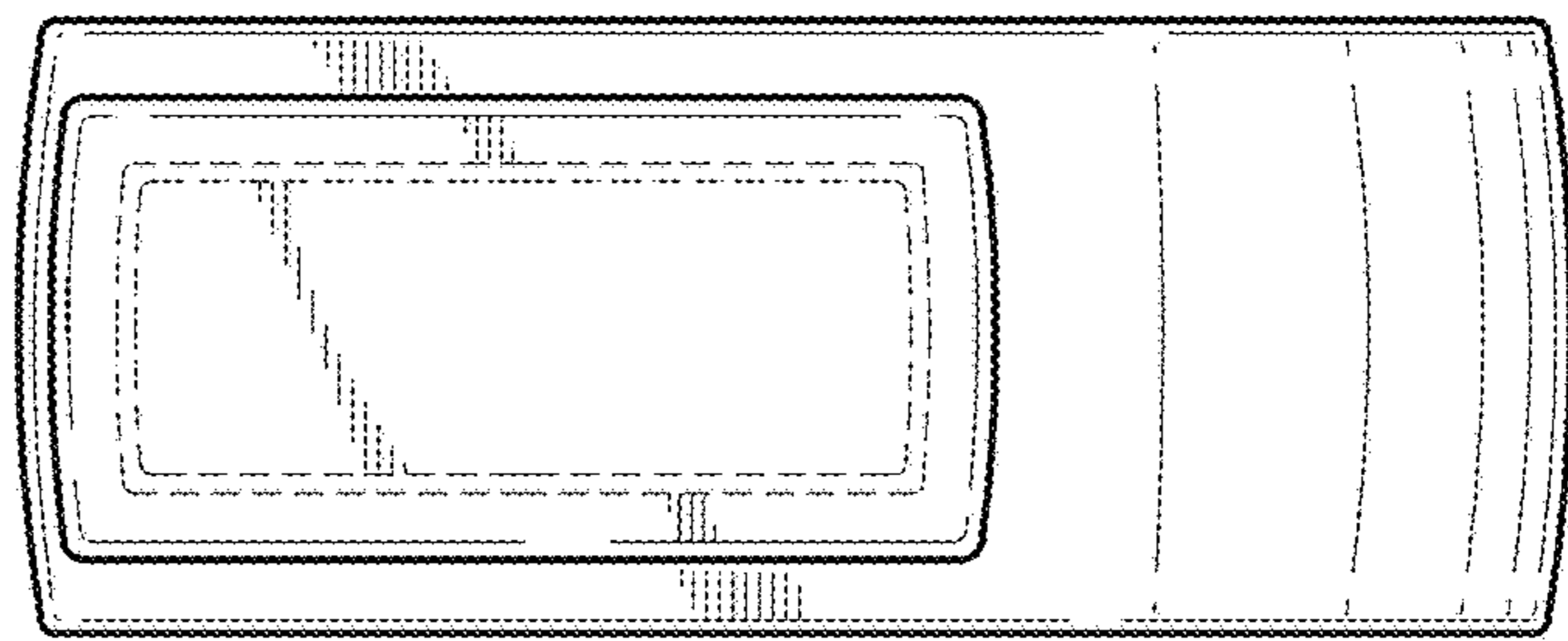


FIG. 6