



US00D859994S

(12) **United States Design Patent**
Eble

(10) **Patent No.:** **US D859,994 S**

(45) **Date of Patent:** **** *Sep. 17, 2019**

(54) **CONTAINER**

(71) Applicant: **Pretium Packaging, L.L.C.**,
Chesterfield, MO (US)

(72) Inventor: **Raymond C. Eble**, Sugarloaf, PA (US)

(73) Assignee: **Pretium Packaging, L.L.C.**,
Chesterfield, MO (US)

(*) Notice: This patent is subject to a terminal disclaimer.

(**) Term: **15 Years**

(21) Appl. No.: **29/623,131**

(22) Filed: **Oct. 23, 2017**

(51) **LOC (12) Cl.** **09-01**

(52) **U.S. Cl.**

USPC **D9/553**; D9/557; D9/558

(58) **Field of Classification Search**

USPC D9/516, 520, 547-549, 551-558, 575,
D9/715, 719, 574; D3/201.3

CPC B65D 1/0223; B65D 1/40; B65D 1/10;
B65D 1/16; B65D 2501/0018

See application file for complete search history.

(56) **References Cited**

U.S. PATENT DOCUMENTS

D102,268 S	12/1936	Flannery
D105,274 S	7/1937	Fuerst
2,893,678 A	7/1959	Homan et al.
D194,811 S	3/1963	Worthington
D199,869 S	12/1964	Trombley
D212,276 S	9/1968	Lodding
3,464,546 A	9/1969	Thomka
4,318,882 A	3/1982	Agrawal et al.
D268,324 S	3/1983	Gautier
4,497,855 A	2/1985	Agrawal et al.
4,665,682 A	5/1987	Kerins et al.
D292,378 S	10/1987	Brandt et al.

D299,314 S	1/1989	LeFevre
D306,262 S	2/1990	Bit
5,024,341 A	6/1991	Dekerle
D348,007 S	6/1994	Feen
D348,837 S	7/1994	Feen
D366,421 S	1/1996	Best
D382,806 S	8/1997	Wilson et al.
5,862,929 A	1/1999	Takeuchi et al.
D411,750 S	6/1999	Forecast et al.
D427,910 S	7/2000	Barnes et al.
D428,814 S	8/2000	Silvers et al.
D450,244 S	11/2001	Rashid
D450,248 S	11/2001	Ogg
D467,813 S	12/2002	Silvers et al.

(Continued)

FOREIGN PATENT DOCUMENTS

CA	2552105 A1	1/2007
CA	2774334 A1	10/2012

Primary Examiner — Ian Simmons

Assistant Examiner — Keith Frank

(74) *Attorney, Agent, or Firm* — Armstrong Teasdale LLP

(57) **CLAIM**

I claim the ornamental design for a container, as shown and described.

DESCRIPTION

FIG. 1 is a perspective view of a container showing the new design;

FIG. 2 is a front view thereof;

FIG. 3 is a rear view thereof;

FIG. 4 is right side view thereof;

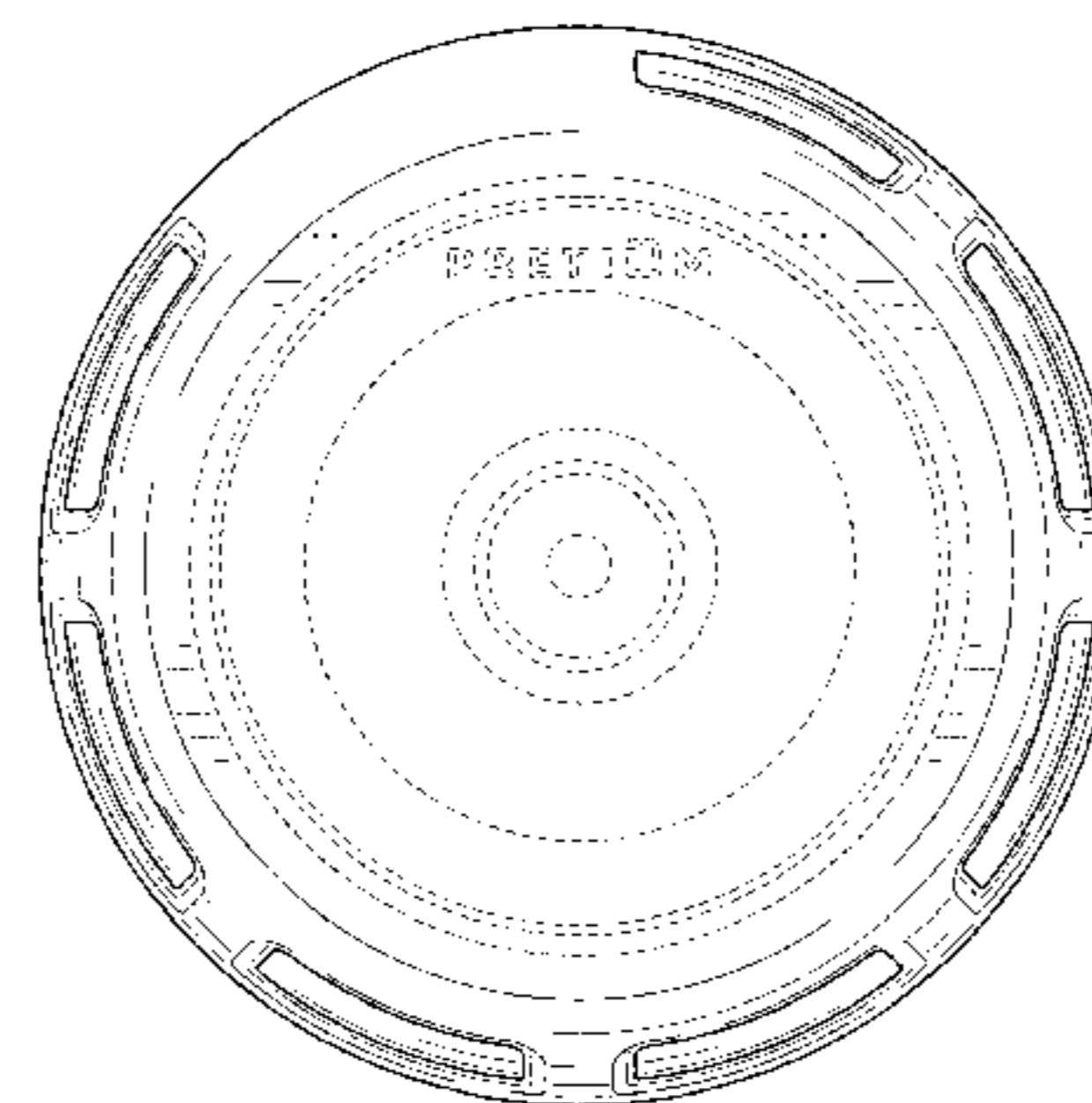
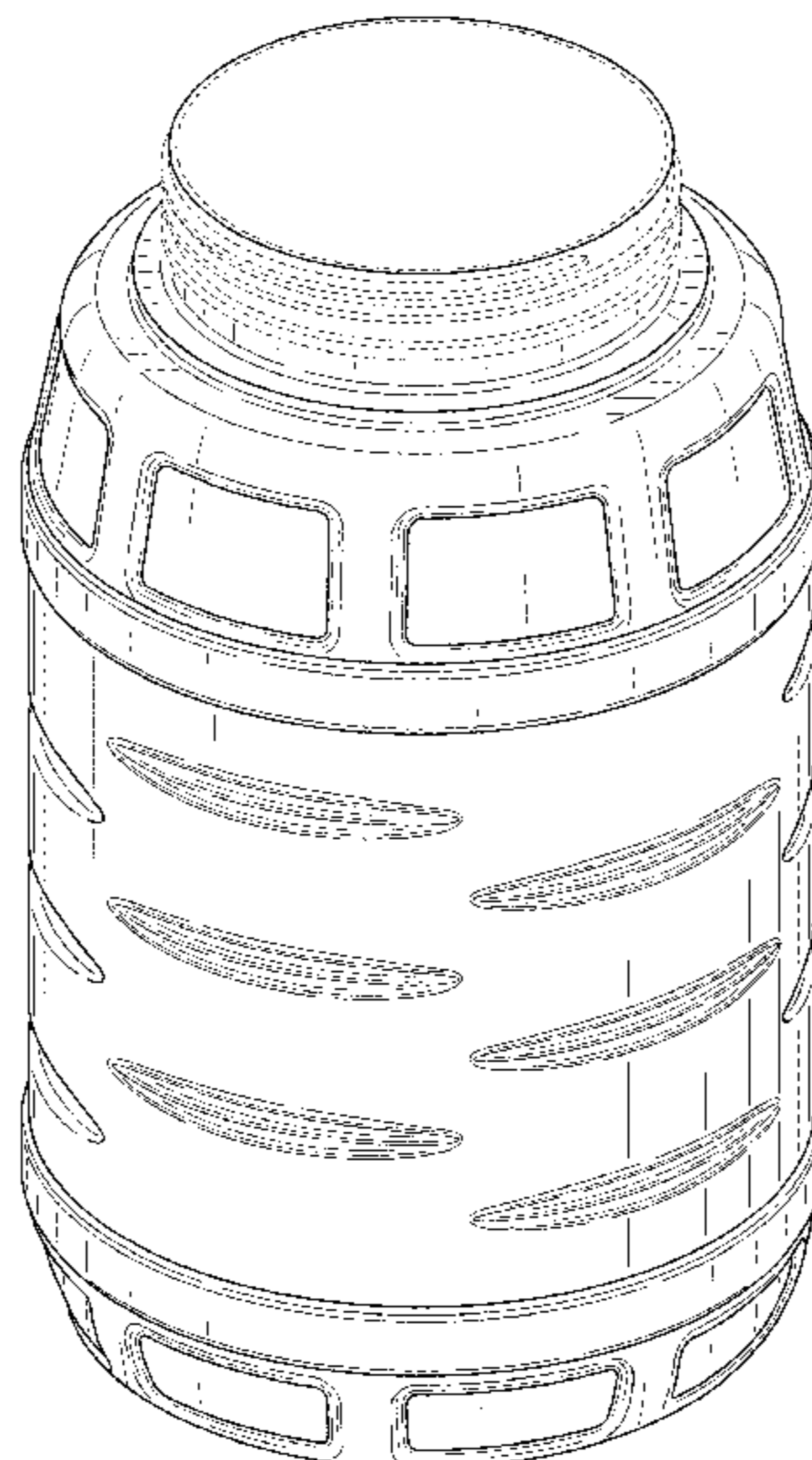
FIG. 5 is a left side view thereof;

FIG. 6 is a top view thereof; and,

FIG. 7 is a bottom view thereof.

The broken lines in the drawings showing the container illustrate the portions of the container that form no part of the claimed design.

1 Claim, 6 Drawing Sheets



(56)

References Cited

U.S. PATENT DOCUMENTS

6,497,333	B1 *	12/2002	Ellis	B65D 1/0223 215/383
D495,602	S	9/2004	Daly	
6,857,531	B2 *	2/2005	Slat	B65D 1/0276 215/373
D504,321	S *	4/2005	Slat	D9/550
D505,077	S	5/2005	Piccioli et al.	
6,905,038	B2	6/2005	Lopez	
6,908,002	B2	6/2005	Young et al.	
D523,331	S	6/2006	Yourist et al.	
D539,661	S	4/2007	Eble	
D608,211	S *	1/2010	Eble	D9/559
D612,249	S *	3/2010	Wurster	D9/538
D612,255	S *	3/2010	Shah	D9/557
D619,012	S	7/2010	Eble	
D663,624	S	7/2012	Eble	
D680,005	S	4/2013	Eble	
D697,408	S	1/2014	Eble	
8,662,332	B2 *	3/2014	Wurster	B65D 1/0276 215/371
D720,230	S *	12/2014	Robling	D9/556
D721,278	S	1/2015	Eble	
D735,581	S	8/2015	Eble	
D760,591	S *	7/2016	Groglopo Favetto	D9/500
D764,922	S *	8/2016	Eble	D9/520
D767,998	S *	10/2016	Peacock	D9/538
D795,077	S *	8/2017	Peacock	D9/552
D805,393	S *	12/2017	Eble	D9/552
D818,369	S *	5/2018	Jasso Gomez	D9/556
9,994,378	B2 *	6/2018	Wurster	B65D 1/0276
2012/0261428	A1	10/2012	Eble	

* cited by examiner

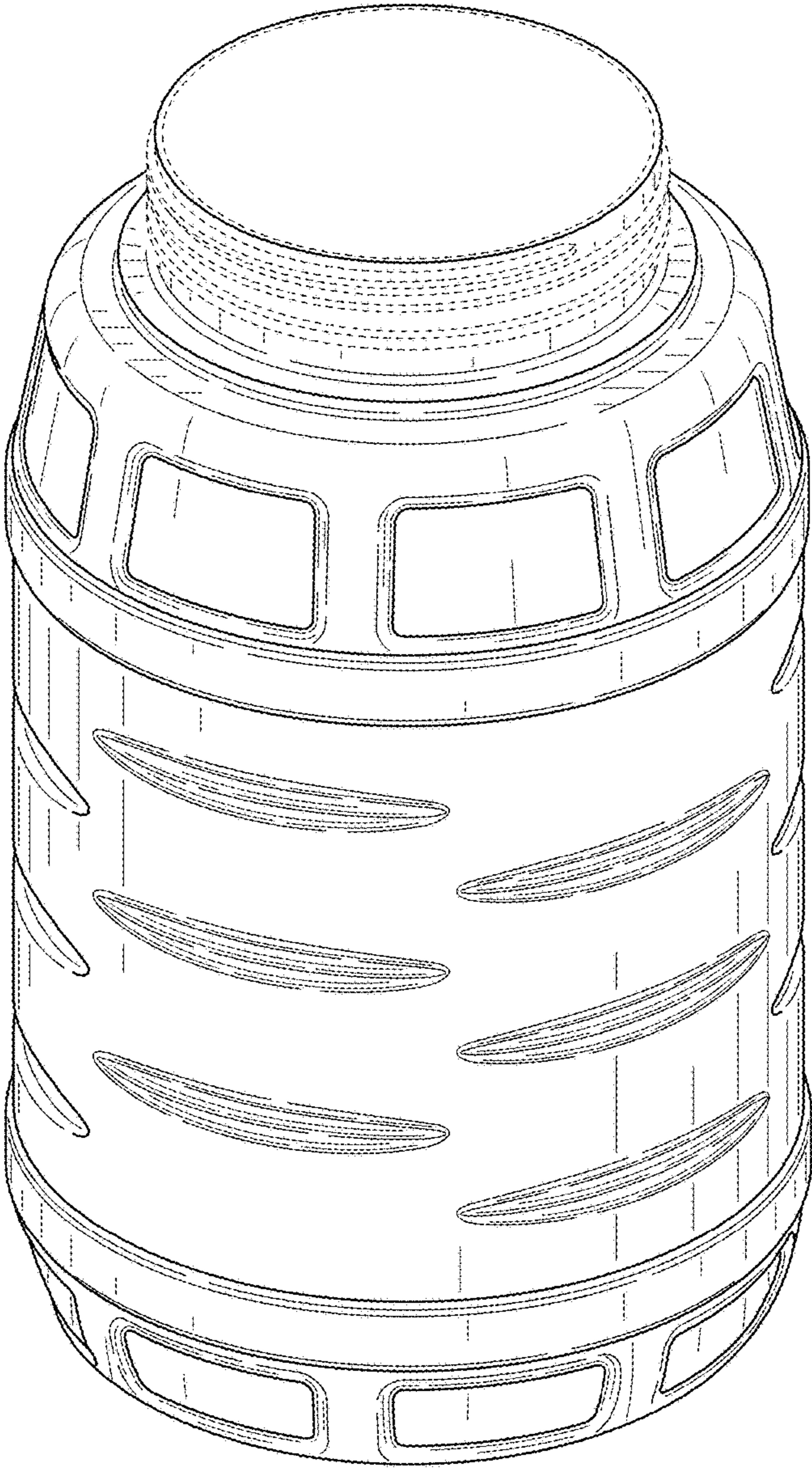


FIG. 1

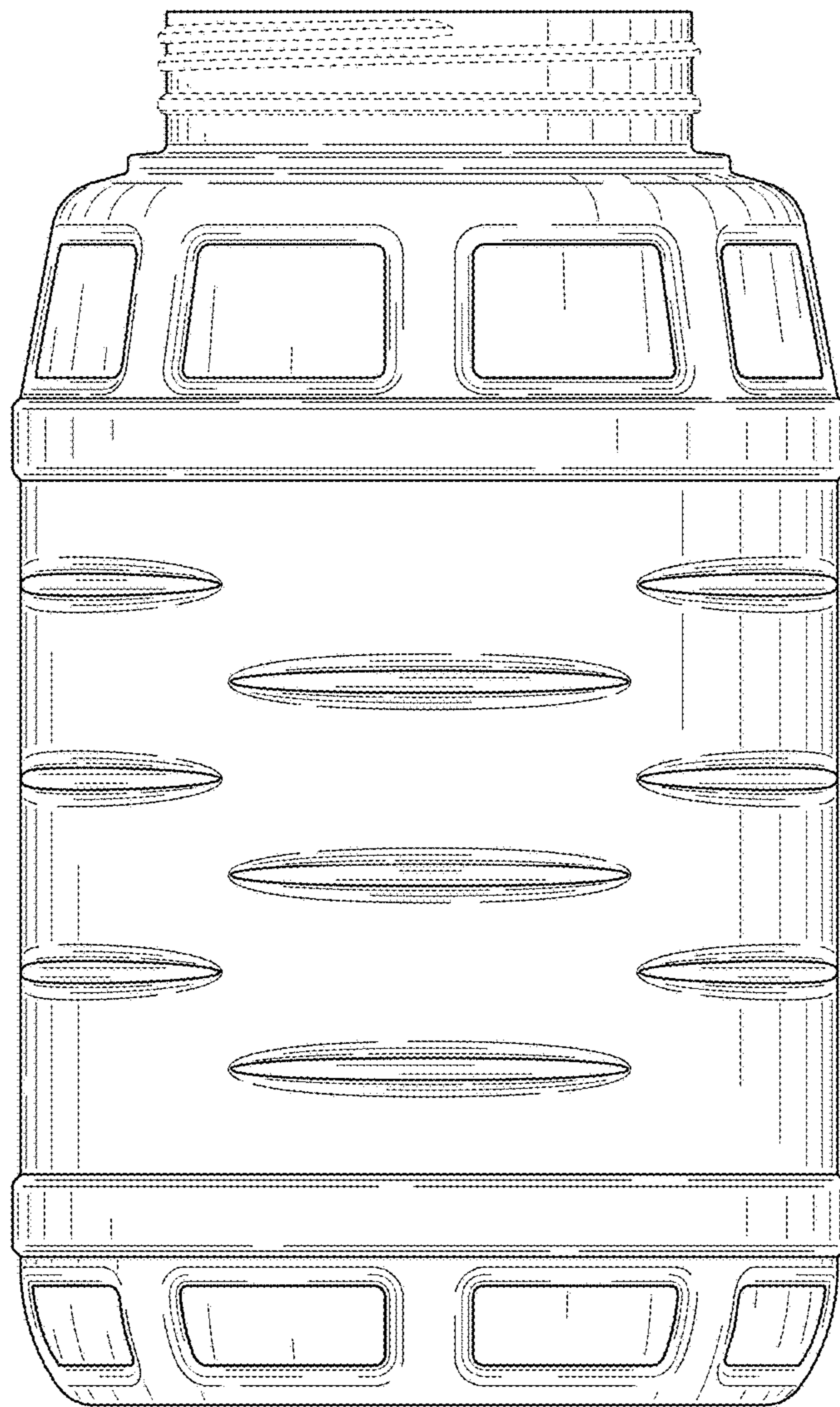


FIG. 2

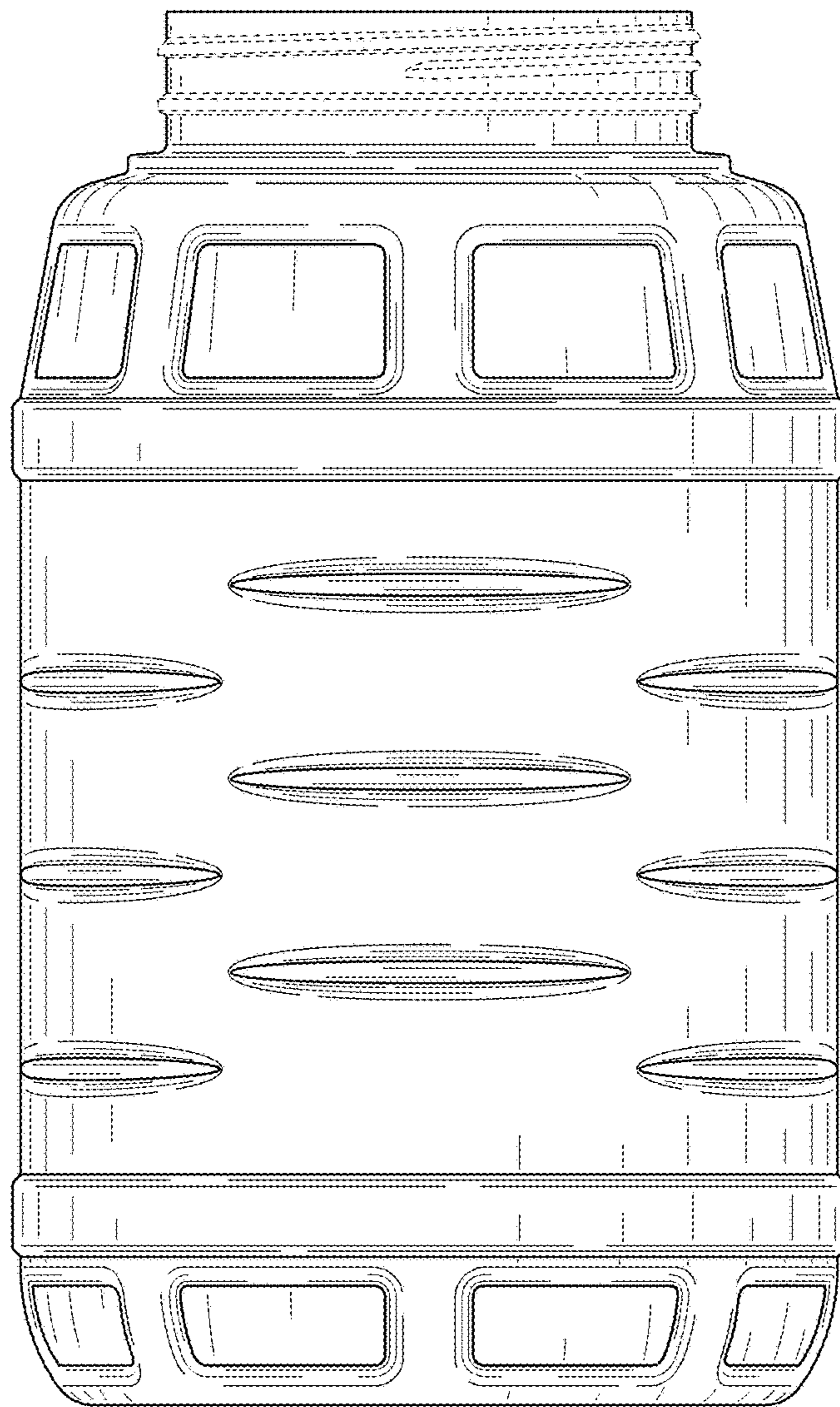


FIG. 3

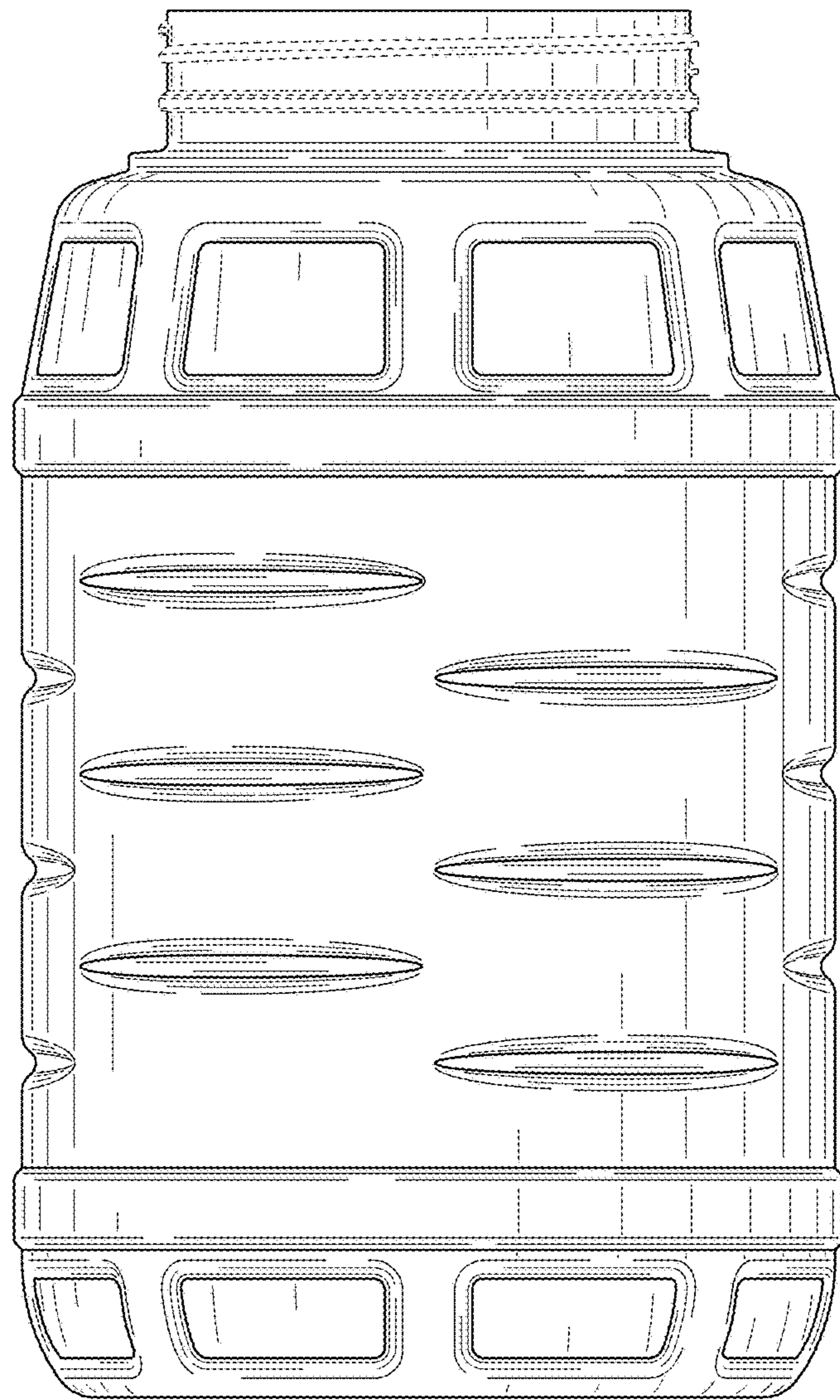


FIG. 4

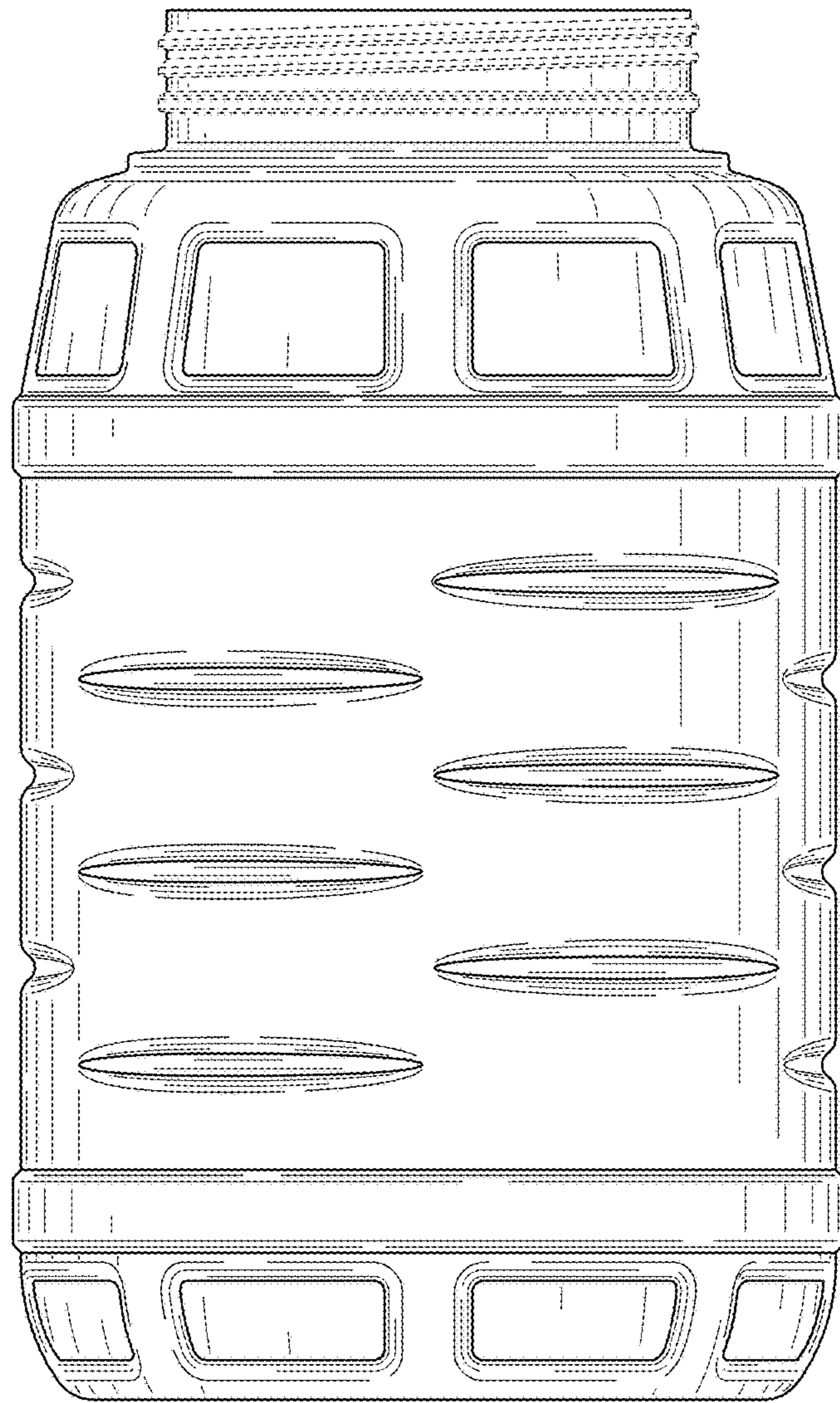


FIG. 5

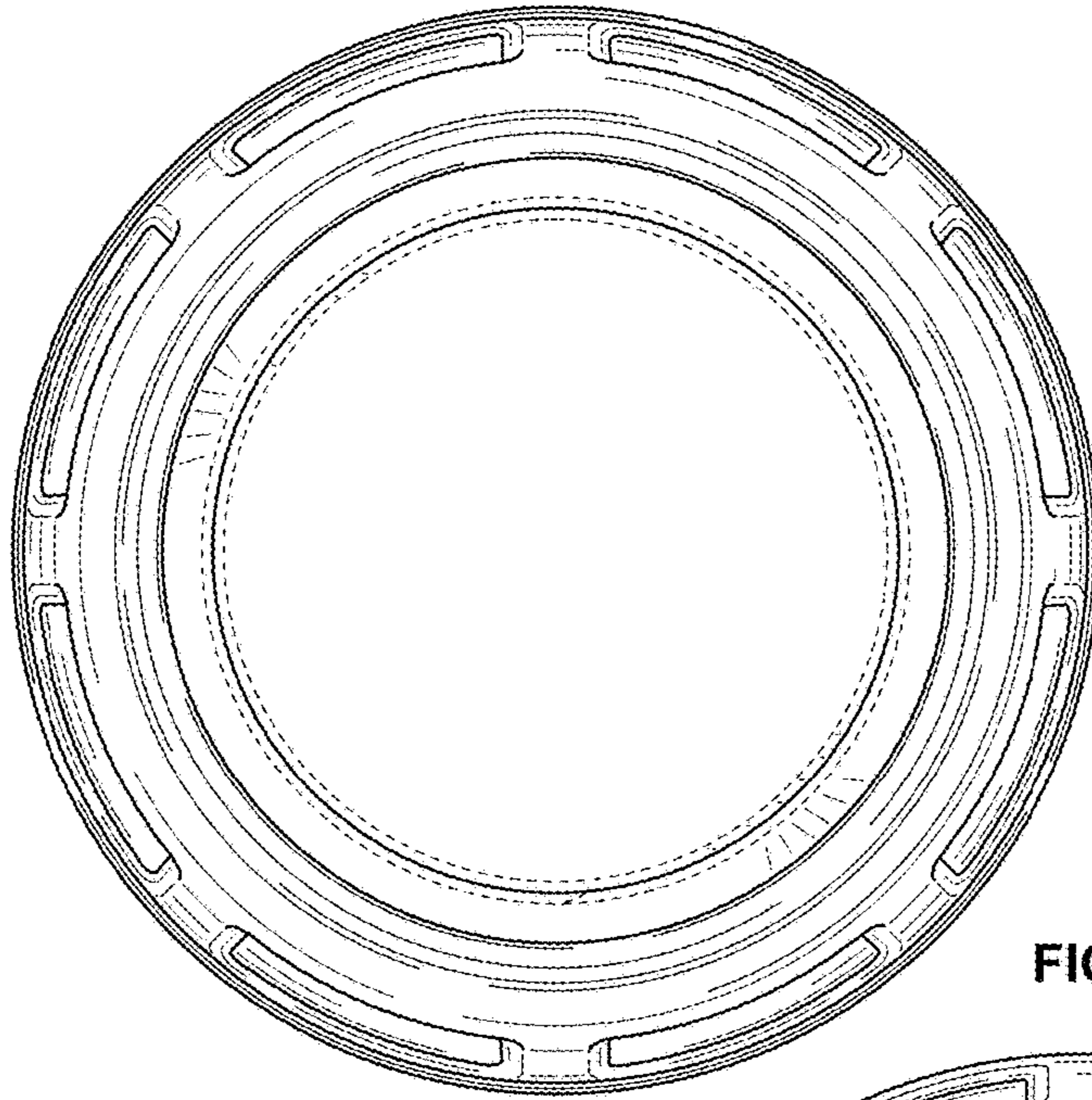


FIG. 6

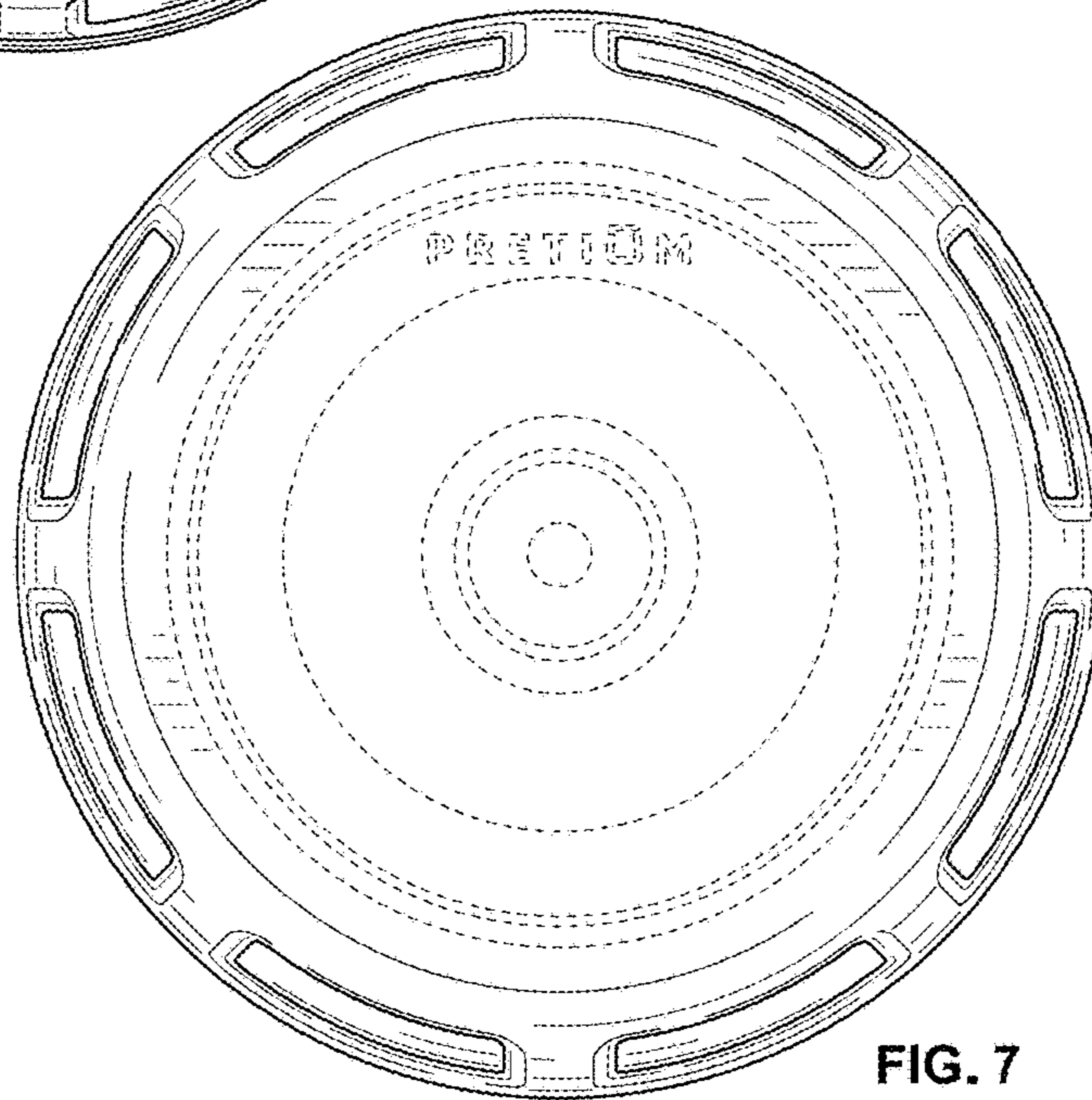


FIG. 7