



US00D85993S

(12) **United States Design Patent** (10) **Patent No.:** **US D859,993 S**  
**Seys** (45) **Date of Patent:** **\*\* Sep. 17, 2019**

- (54) **BOTTLE**
- (71) Applicant: **Brasserie Des Gabariers**, Gond Pontouvre (FR)
- (72) Inventor: **Philippe Seys**, Saint Saturnin (FR)
- (73) Assignee: **Brasserie Des Gabariers**, Gond Pontouvre (FR)
- (\*\*) Term: **15 Years**
- (21) Appl. No.: **29/600,243**
- (22) Filed: **Apr. 11, 2017**
- (30) **Foreign Application Priority Data**  
Nov. 17, 2016 (EM) ..... 003467158-0001
- (51) **LOC (12) Cl.** ..... **09-01**
- (52) **U.S. Cl.**  
USPC ..... **D9/551**; D9/575; D9/550; D9/667
- (58) **Field of Classification Search**  
USPC ..... D9/516, 520, 542, 543, 544, 545, 549, D9/550, 551, 574, 575, 667, 678, 715, D9/719  
CPC ..... B65D 1/0223; B65D 1/16; B65D 1/40; B65D 2203/00  
See application file for complete search history.

- (56) **References Cited**  
U.S. PATENT DOCUMENTS  
D259,332 S \* 5/1981 Walton ..... D9/545  
D329,385 S \* 9/1992 Alves Machado Guedes ..... D9/632  
D400,106 S \* 10/1998 Anderson ..... D9/551  
D536,986 S \* 2/2007 Nix ..... D9/551  
D597,413 S \* 8/2009 Teuscher ..... D9/505

- D691,894 S \* 10/2013 Marshall ..... D9/545
- D694,639 S \* 12/2013 Gayner ..... D9/520
- D704,563 S \* 5/2014 Gonzalez Rodriguez ..... D9/545
- D707,565 S \* 6/2014 Villasol ..... D9/520
- D720,233 S \* 12/2014 Thompson ..... D9/545
- D724,436 S \* 3/2015 Kozlowski ..... D9/500
- D774,915 S \* 12/2016 Seys ..... D9/550
- D786,687 S \* 5/2017 Cooper ..... D9/550
- D807,757 S \* 1/2018 Feletto ..... D9/558
- D813,675 S \* 3/2018 Matauch ..... D9/500
- D815,946 S \* 4/2018 Thompson ..... D9/500
- D817,176 S \* 5/2018 Pel ..... D9/542
- D824,769 S \* 8/2018 Ecabert ..... D9/542
- D826,058 S \* 8/2018 Pel ..... D9/542
- 2016/0311576 A1 \* 10/2016 Smith ..... B65D 23/14

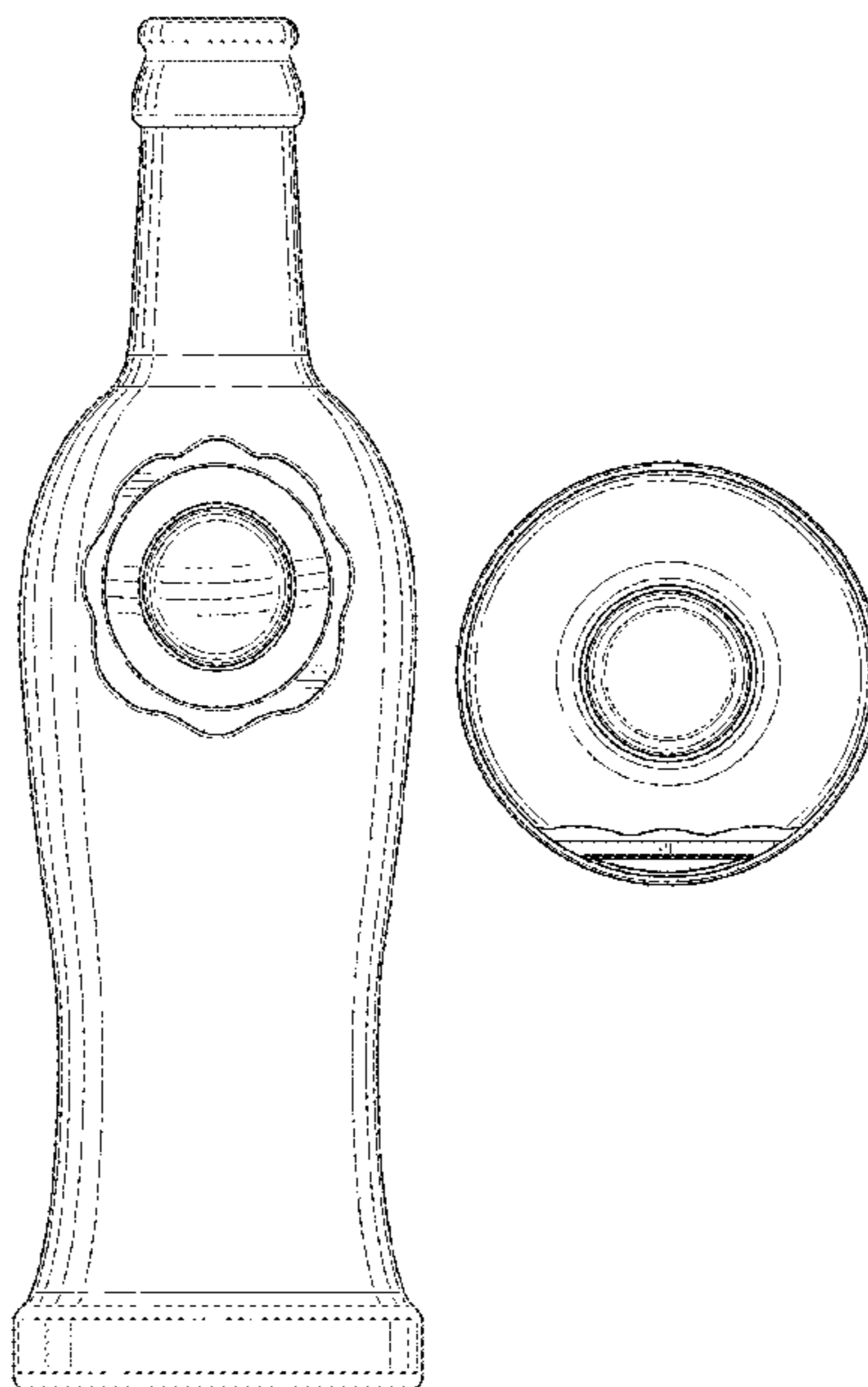
\* cited by examiner

*Primary Examiner* — Ian Simmons  
*Assistant Examiner* — Keith Frank  
(74) *Attorney, Agent, or Firm* — Downs Rachlin Martin PLLC

(57) **CLAIM**  
The ornamental design for a bottle, as shown and described.

**DESCRIPTION**  
FIG. 1 is a front perspective view of a bottle showing my new design;  
FIG. 2 is a front view thereof;  
FIG. 3 is a back view thereof;  
FIG. 4 is a side view thereof; and,  
FIG. 5 is a top view thereof.  
The broken lines in the Figures are for the purpose of illustrating unclaimed portions of the bottle and form no part of the claimed design.  
The shade lines in the Figures show contour and not surface ornamentation.

**1 Claim, 4 Drawing Sheets**



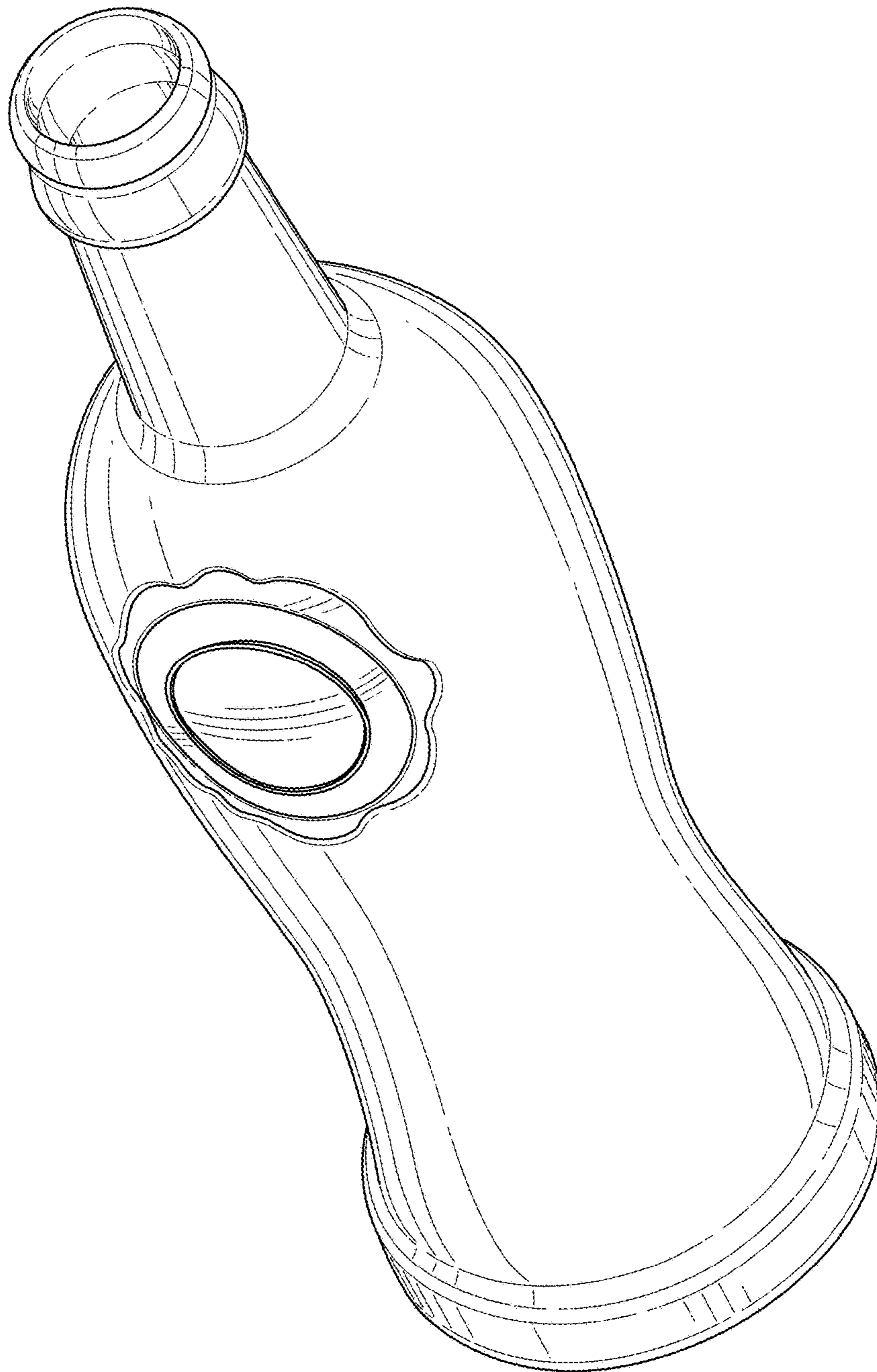


FIG. 1

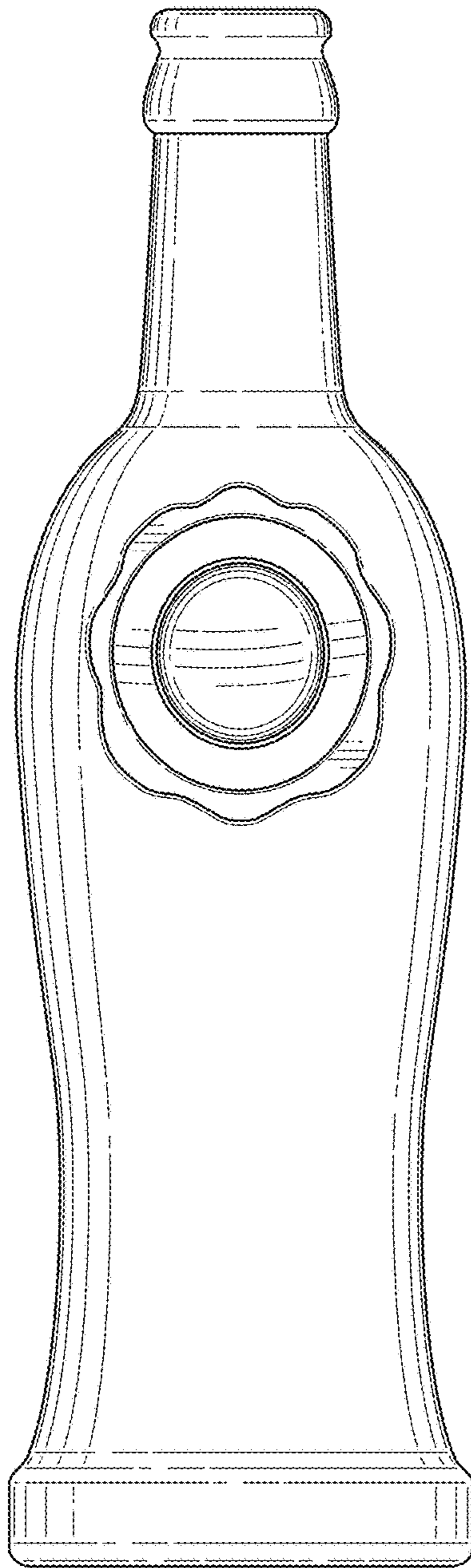


FIG. 2

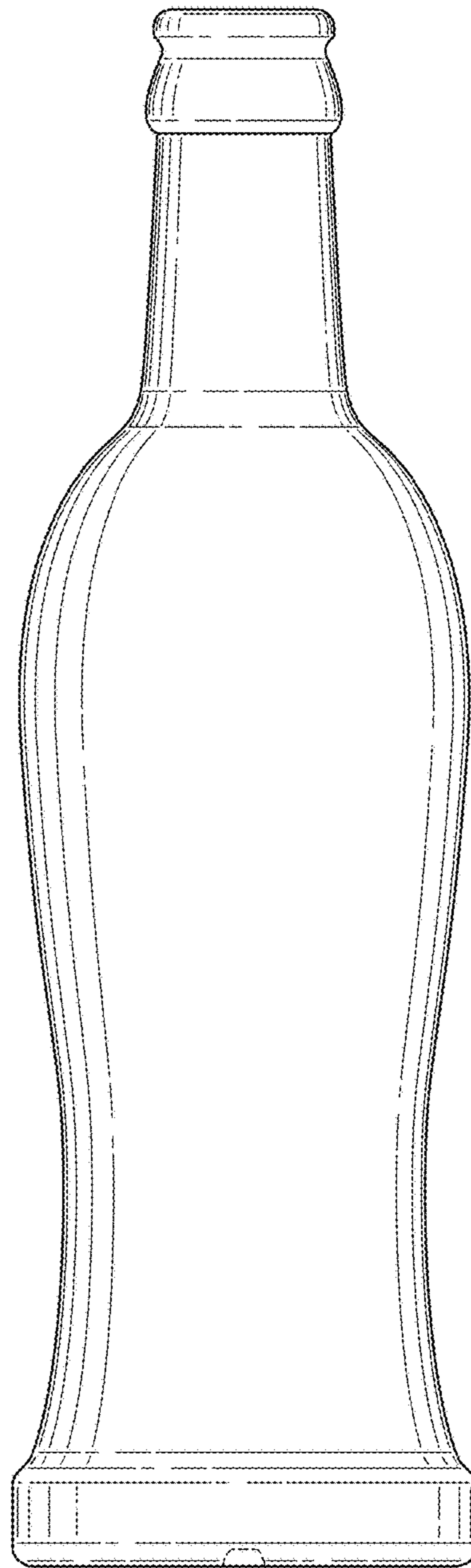


FIG. 3

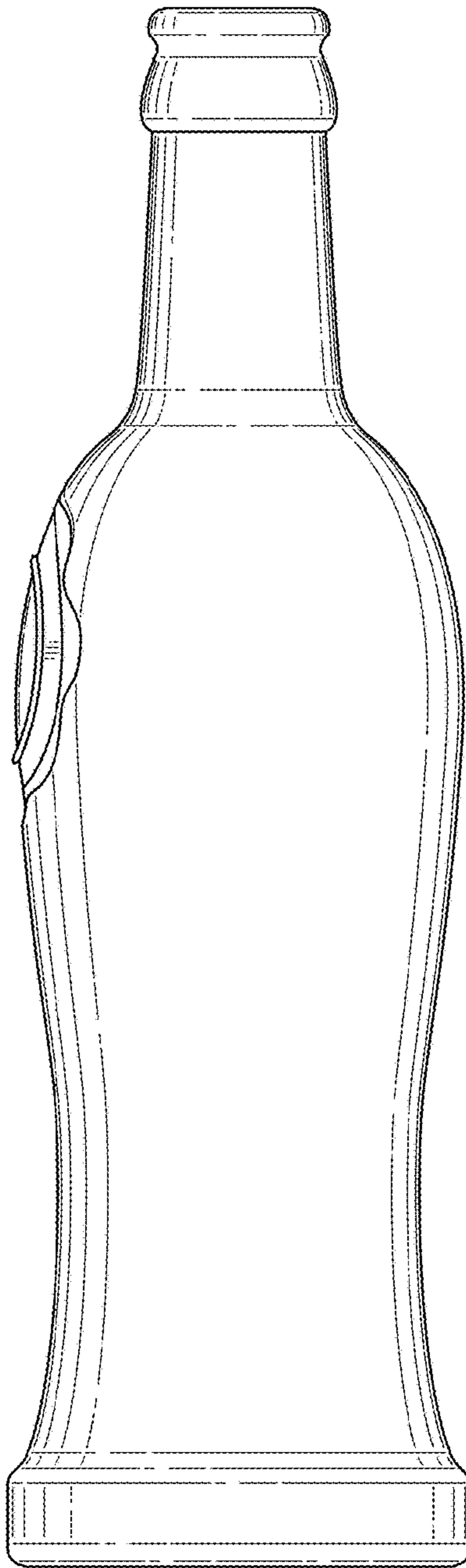


FIG. 4

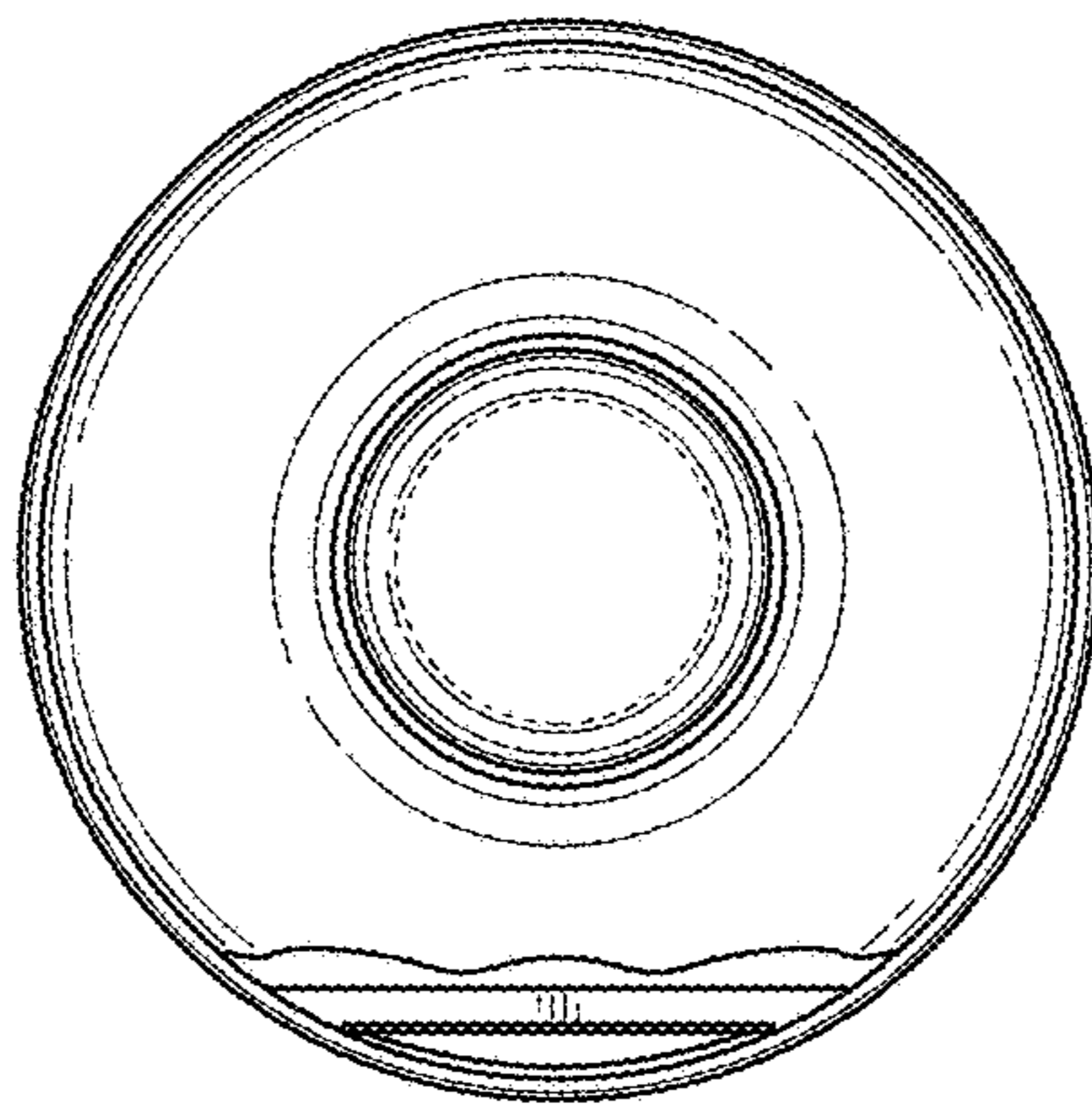


FIG. 5