



US00D859991S

(12) **United States Design Patent**
Nelson et al.

(10) **Patent No.:** **US D859,991 S**
(45) **Date of Patent:** **** Sep. 17, 2019**

(54) **CONTAINER**

(71) Applicant: **THE J. M. SMUCKER COMPANY,**
Orrville, OH (US)

(72) Inventors: **Zac Nelson,** West Chester, OH (US);
Keven Walter, Cincinnati, OH (US)

(73) Assignee: **THE J. M. SMUCKER COMPANY,**
Orrville, OH (US)

(**) Term: **15 Years**

(21) Appl. No.: **29/683,145**

(22) Filed: **Mar. 11, 2019**

Related U.S. Application Data

(62) Division of application No. 29/636,857, filed on Feb. 12, 2018.

(51) **LOC (12) Cl.** **09-01**

(52) **U.S. Cl.**
USPC **D9/516; D9/538; D9/552; D9/556**

(58) **Field of Classification Search**
USPC D9/500, 502–503, 516, 530, 537–539,
D9/549, 550, 552, 556–559, 565;
D7/300, 312, 321, 316, 598
CPC B65D 1/00; B65D 1/02; B65D 1/0223;
B65D 23/00; B65D 81/00; B65D
2501/00; B65D 2501/0009
See application file for complete search history.

(56) **References Cited**

U.S. PATENT DOCUMENTS

D195,063 S	4/1963	Lilling	
D212,211 S	9/1968	Bass	
D212,276 S *	9/1968	Lodding et al.	D9/538
D218,020 S	7/1970	Musson	
D220,030 S	3/1971	Plummer	
D225,510 S *	12/1972	Strand	D9/538
D242,842 S *	12/1976	Wolf	D7/300

D263,562 S *	3/1982	Cincala	D9/500
D264,433 S *	5/1982	Pettengill	D7/615
D348,006 S	6/1994	Fee	
D387,670 S *	12/1997	Larkin	D9/538
D387,671 S	12/1997	Panella	
D403,244 S *	12/1998	Van Dyk	D9/552
D425,793 S *	5/2000	Walker	D9/503
D428,576 S *	7/2000	Walker	D9/503
D431,468 S *	10/2000	Potts	D9/500
D480,315 S *	10/2003	Sadeghi	D9/538
D550,019 S *	9/2007	Lincer	D7/300
D623,528 S *	9/2010	Brandt	D9/538

(Continued)

OTHER PUBLICATIONS

Examination Report dated May 1, 2019 in corresponding Canadian Patent Application No. 182940, 13—Aug. 13, 2018.

Primary Examiner — Dana Meyrow

(74) *Attorney, Agent, or Firm* — Michael A. Olshavsky

(57) **CLAIM**

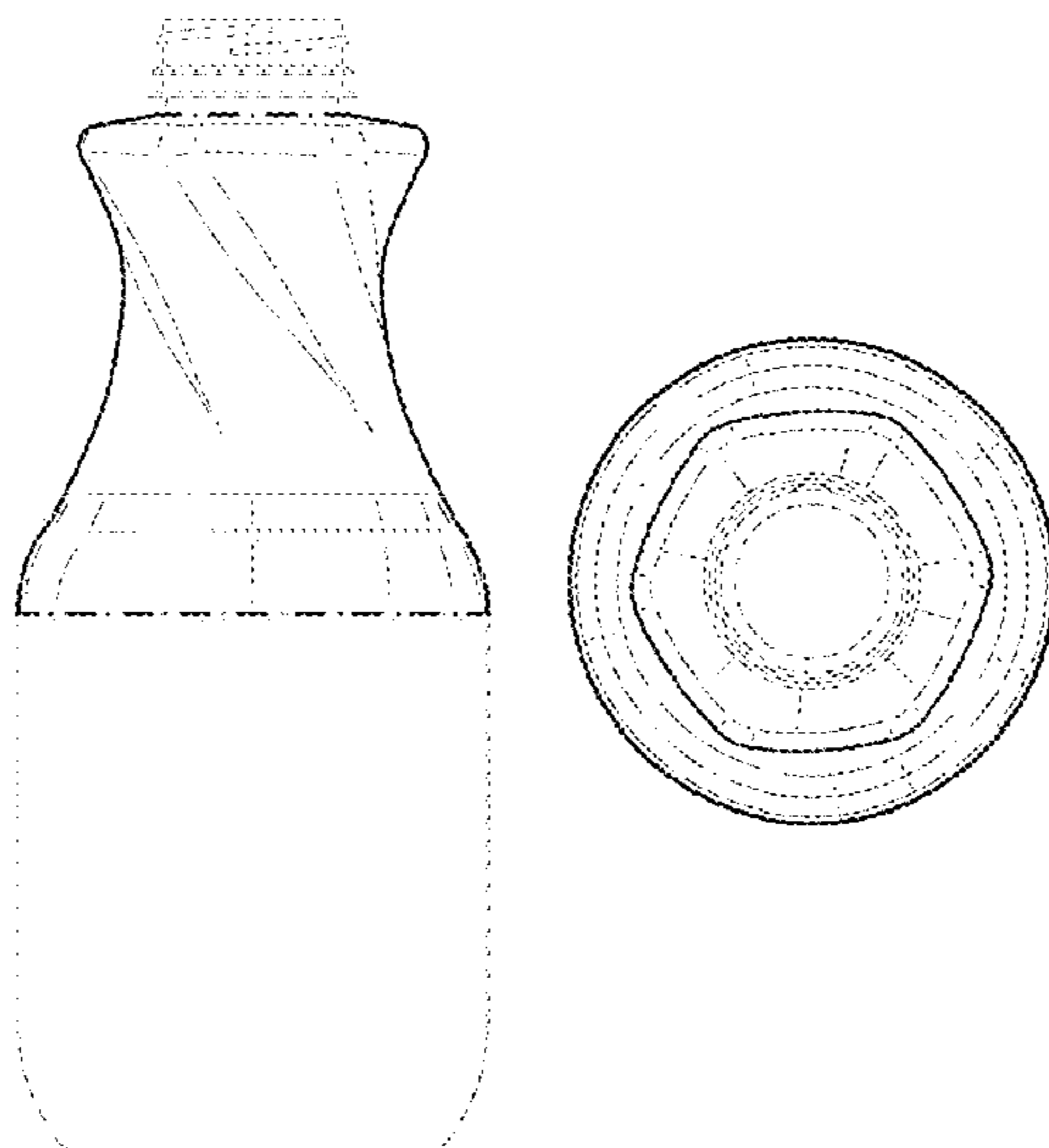
We claim the ornamental design for a container, as shown and described.

DESCRIPTION

FIG. 1 is a top, front, right side perspective view of a container showing our new design;
FIG. 2 is a bottom, rear, left side perspective view thereof;
FIG. 3 is a front elevation view thereof;
FIG. 4 is a left side elevation view thereof;
FIG. 5 is a rear elevation view thereof;
FIG. 6 is a right side elevation view thereof;
FIG. 7 is a top plan view thereof; and,
FIG. 8 is a bottom plan view thereof.

The evenly-dashed broken lines in the drawings illustrate the portions of the container that form no part of the claim. The dot-dash broken lines in the drawings define the bounds of the claim and form no part thereof.

1 Claim, 4 Drawing Sheets



(56)

References Cited

U.S. PATENT DOCUMENTS

D640,560 S	6/2011	Snyder	
D659,006 S	5/2012	Wiescinski et al.	
D666,915 S	9/2012	Wiescinski et al.	
D666,916 S	9/2012	Enciso et al.	
D667,731 S	9/2012	Enciso et al.	
D668,959 S	10/2012	Brown et al.	
D671,415 S	11/2012	Enciso et al.	
D675,535 S *	2/2013	Nomura	D9/538
D689,773 S *	9/2013	Nomura	D9/538
D714,155 S	9/2014	Tanaka et al.	
D743,802 S *	11/2015	Leslie	D9/530
D775,526 S	1/2017	Tanaka et al.	
D798,155 S	9/2017	Dominick et al.	
D801,183 S	10/2017	Bergeson et al.	

* cited by examiner

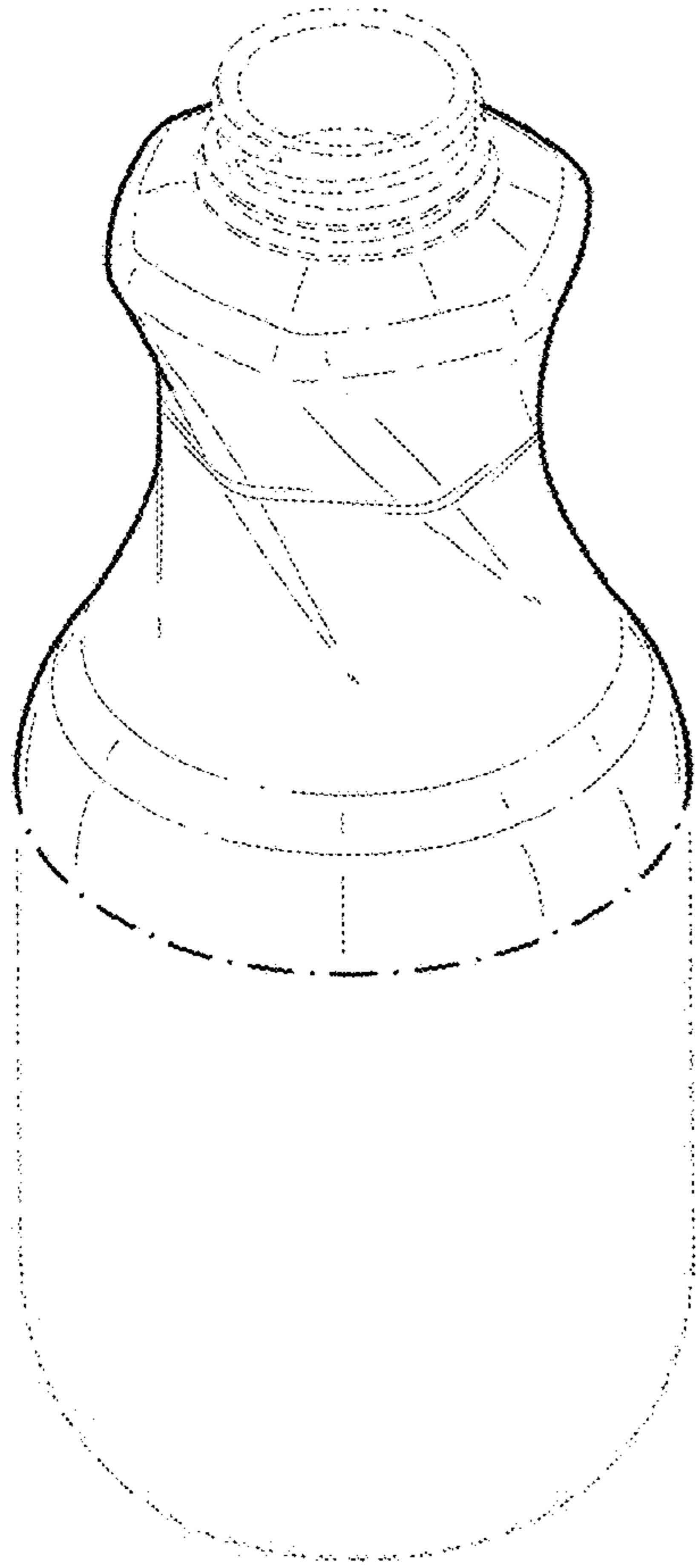


FIG. 1

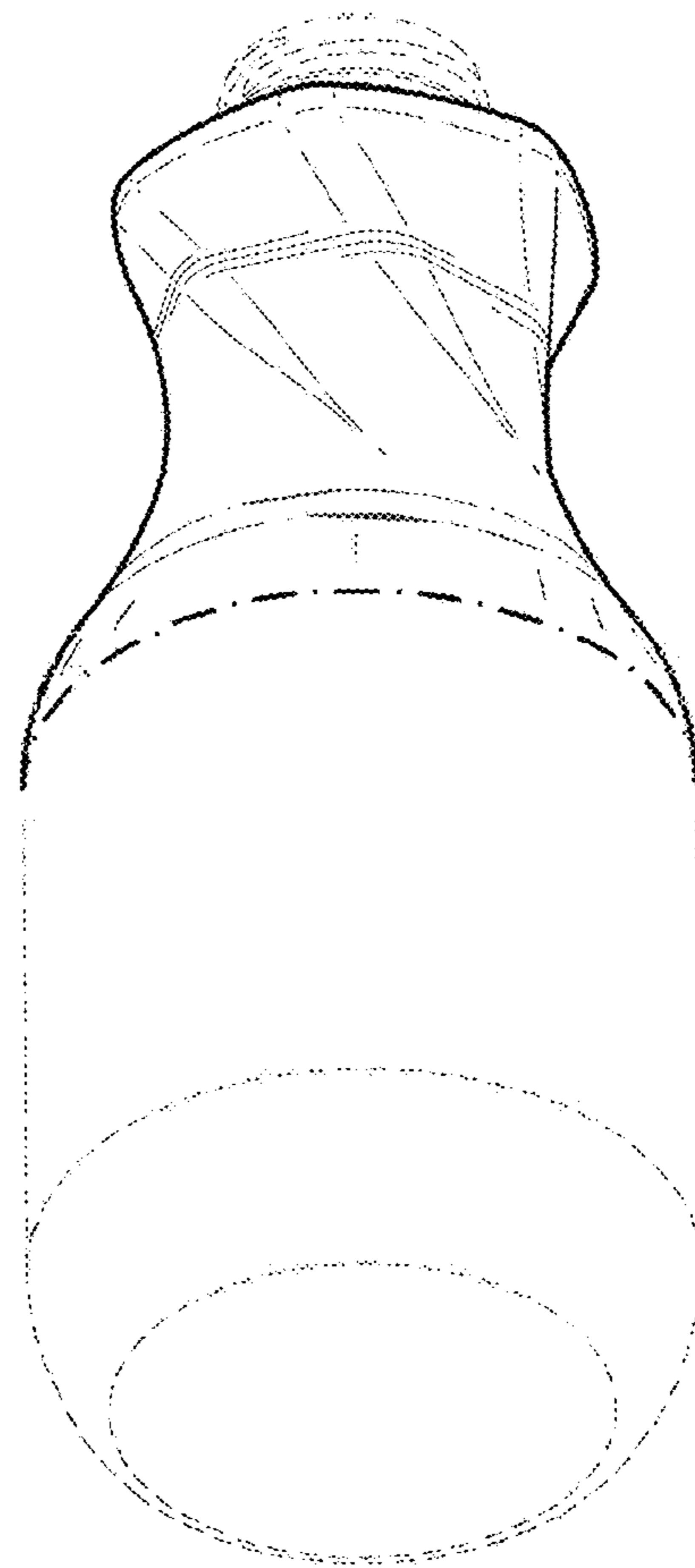


FIG. 2

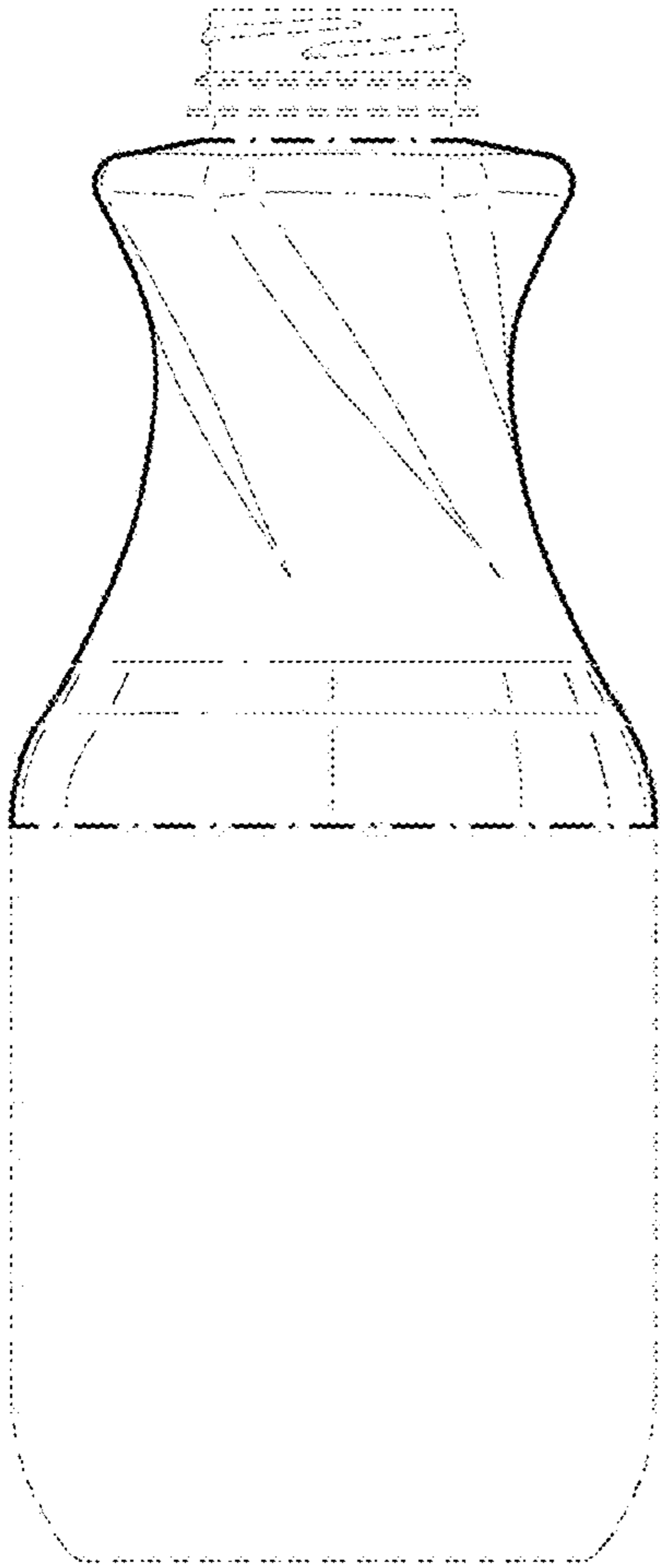


FIG. 3

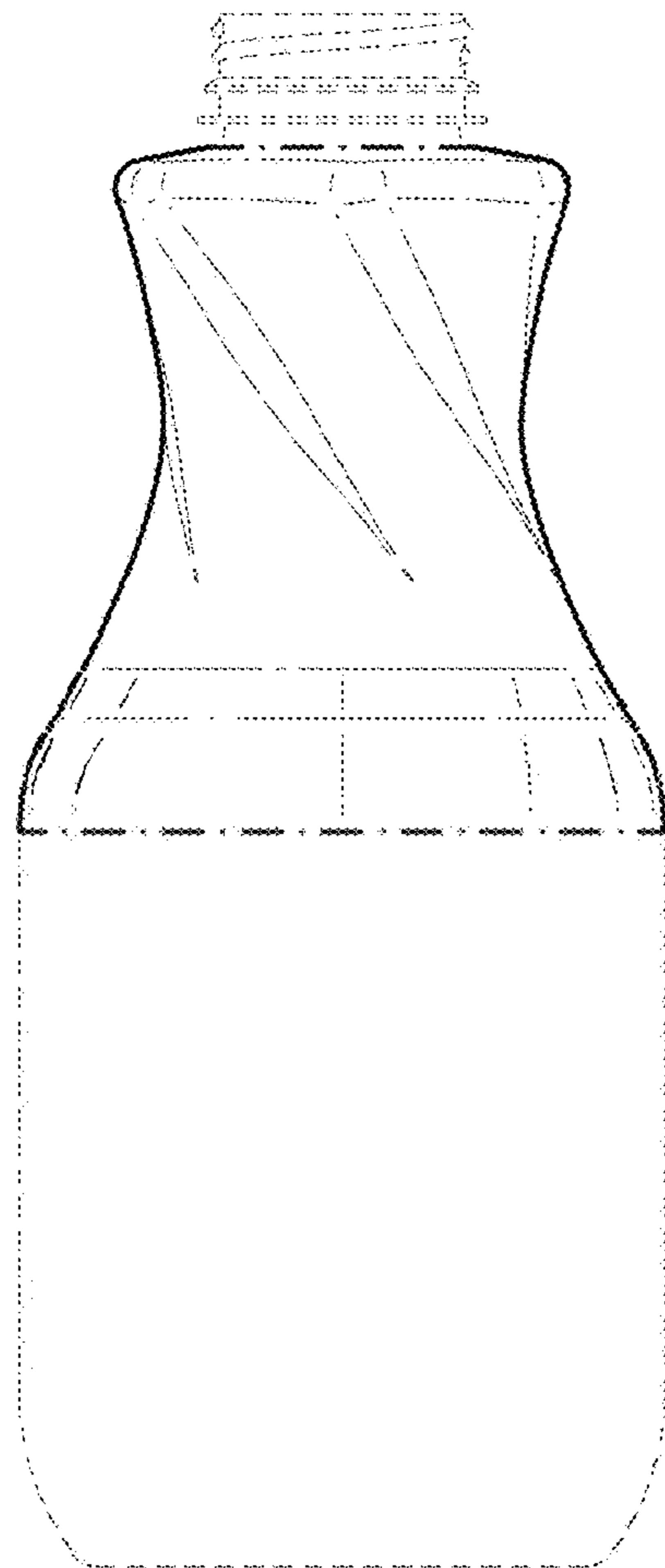


FIG. 4

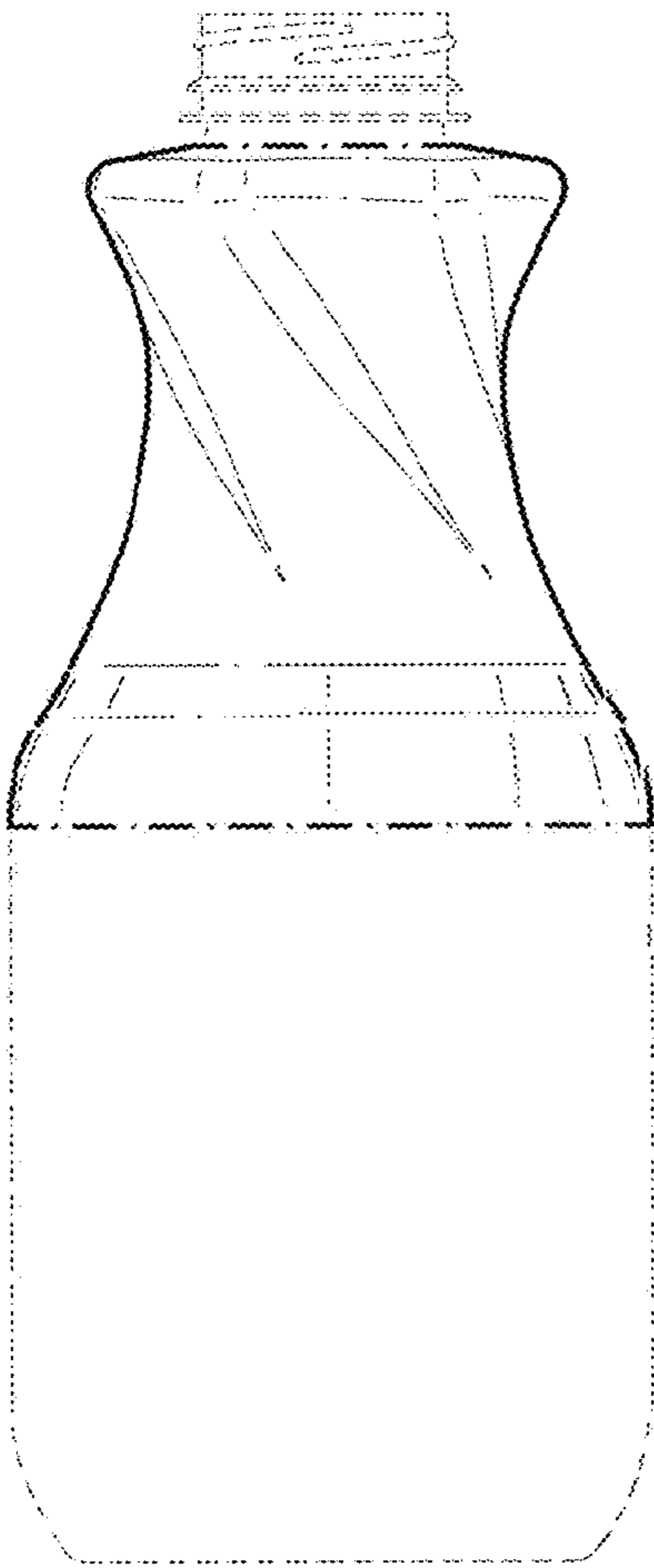


FIG. 5

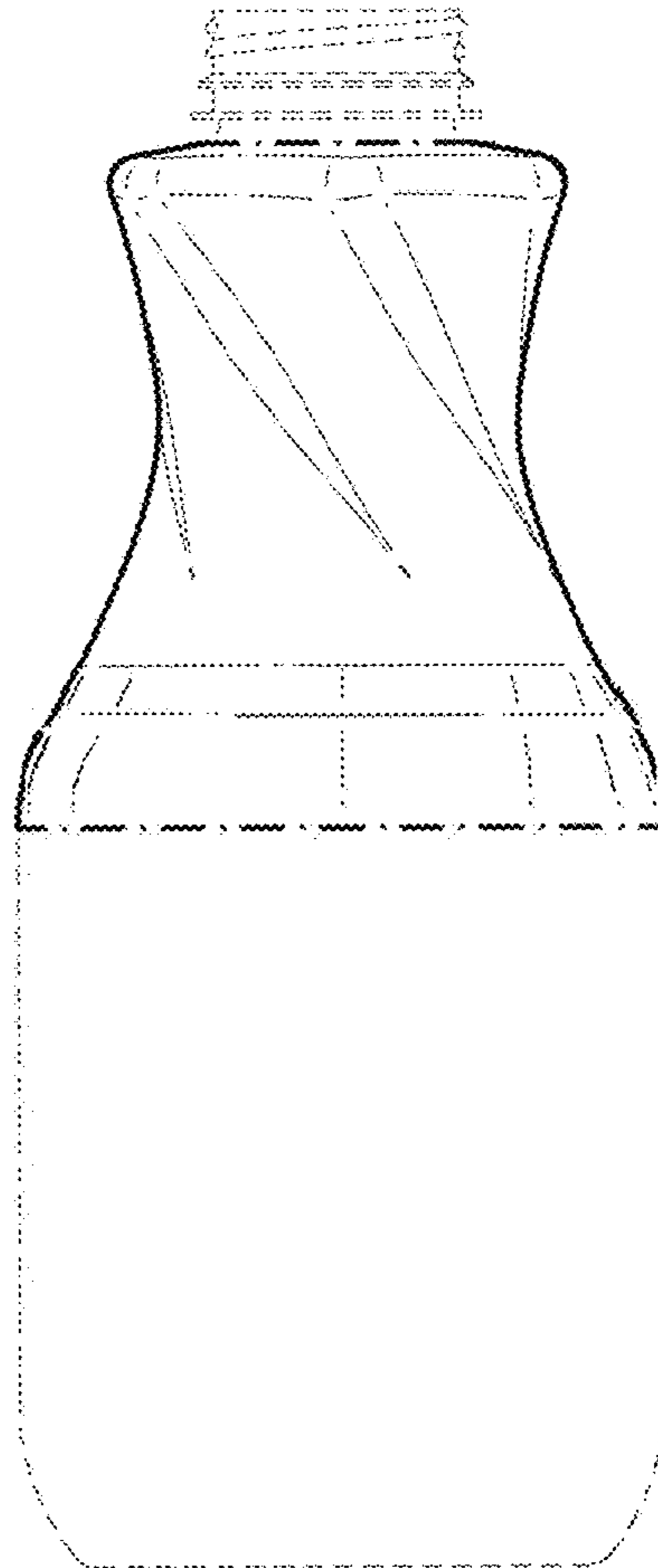


FIG. 6

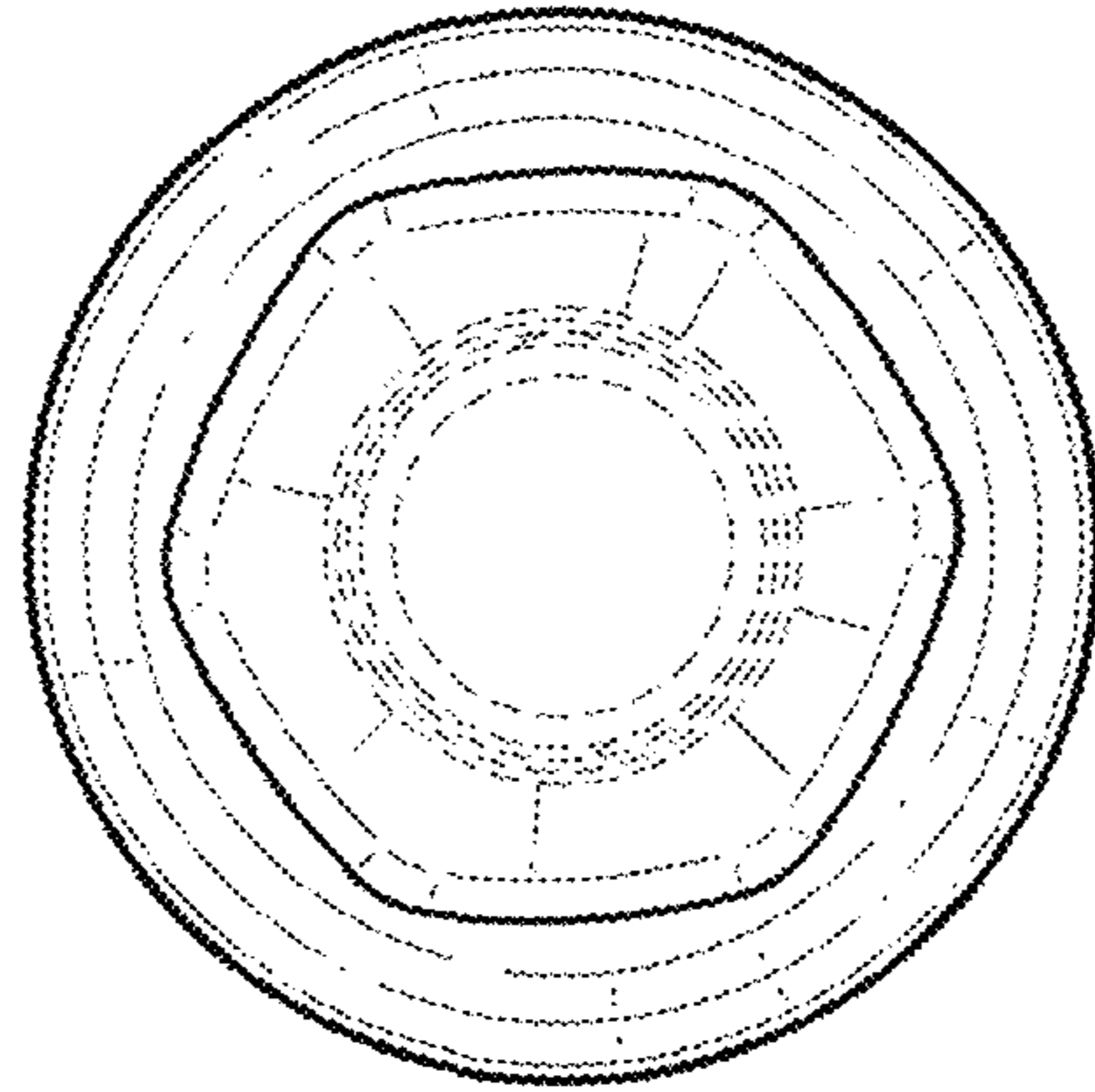


FIG. 7

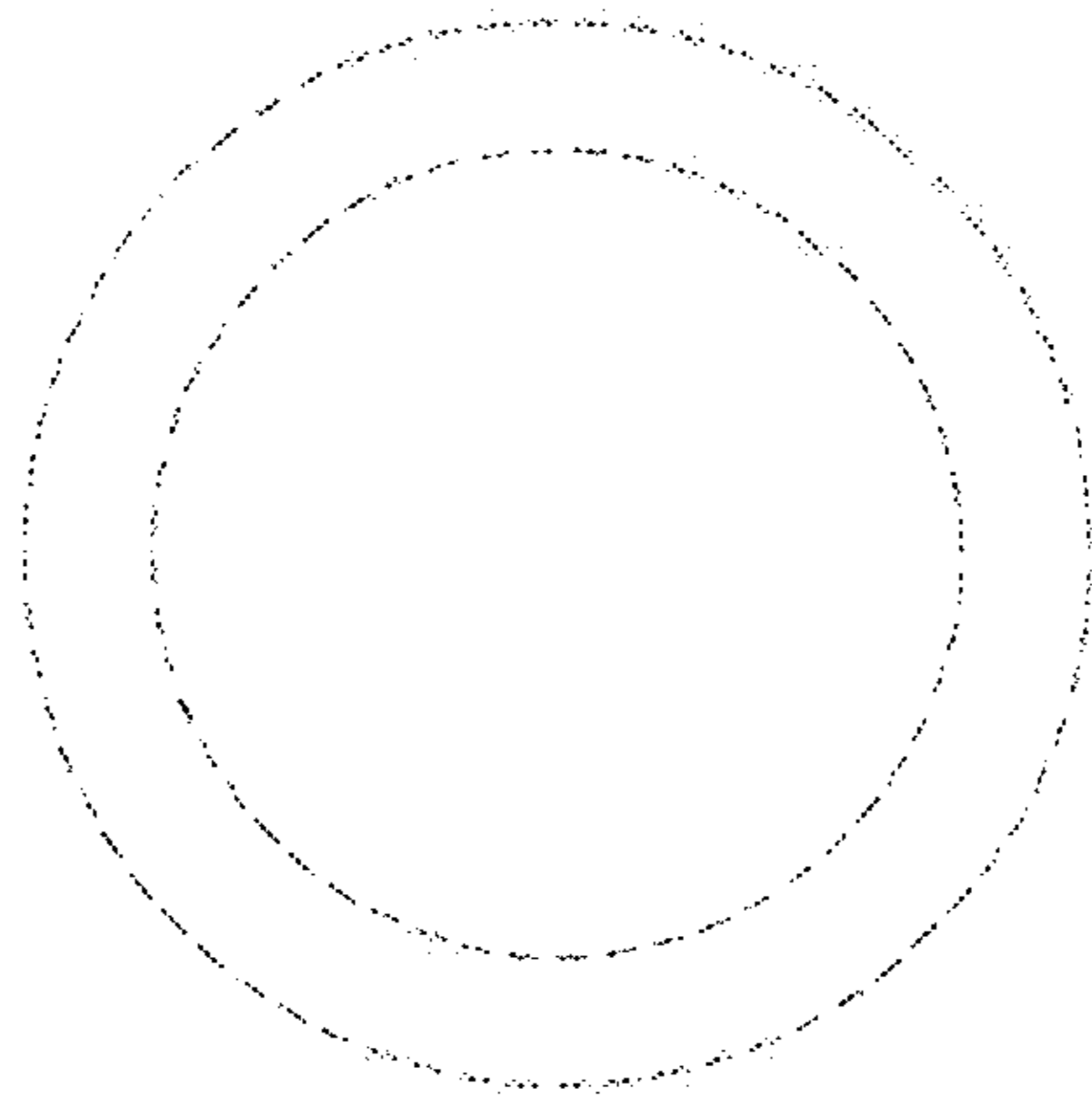


FIG. 8