



US00D85990S

(12) **United States Design Patent**
Neset

(10) **Patent No.:** **US D859,990 S**

(45) **Date of Patent:** **** Sep. 17, 2019**

(54) **TAPERED BOTTLE**

(71) Applicant: **Michael Hung**, Sheng Wan OT (HK)

(72) Inventor: **Lowell Neset**, San Francisco, CA (US)

(**) Term: **15 Years**

(21) Appl. No.: **29/602,872**

(22) Filed: **May 4, 2017**

(51) **LOC (12) Cl.** **09-01**

(52) **U.S. Cl.**
USPC **D9/504**; D9/454

(58) **Field of Classification Search**
USPC D9/434-435, 444-445, 454, 500,
D9/503-505, 516, 529-530, 537, 539,
D9/549, 558, 682, 686, 688-691, 715,
D9/719; D7/608

CPC B65D 1/00; B65D 1/02; B65D 1/0223;
B65D 23/00; B65D 81/00; B65D
2501/00; B65D 2501/0009

See application file for complete search history.

(56) **References Cited**

U.S. PATENT DOCUMENTS

D175,598 S * 9/1955 Hills D7/590
D196,455 S * 10/1963 Stern D9/504

D265,382 S * 7/1982 Jonsson D9/500
D463,716 S * 10/2002 Seater D7/599
D484,414 S * 12/2003 Kerr D9/500
D553,499 S * 10/2007 Lavelli D9/500
D646,973 S * 10/2011 Flanagan-Kent D9/500
D752,391 S * 3/2016 Hatherell D7/510

* cited by examiner

Primary Examiner — Dana Meyrow

(74) *Attorney, Agent, or Firm* — Stephen E. Zweig

(57) **CLAIM**

The ornamental design for a tapered bottle, as shown and described.

DESCRIPTION

FIG. 1 is a top perspective view of the tapered bottle according to the present invention.

FIG. 2 is a top plan view of the tapered bottle of FIG. 1.

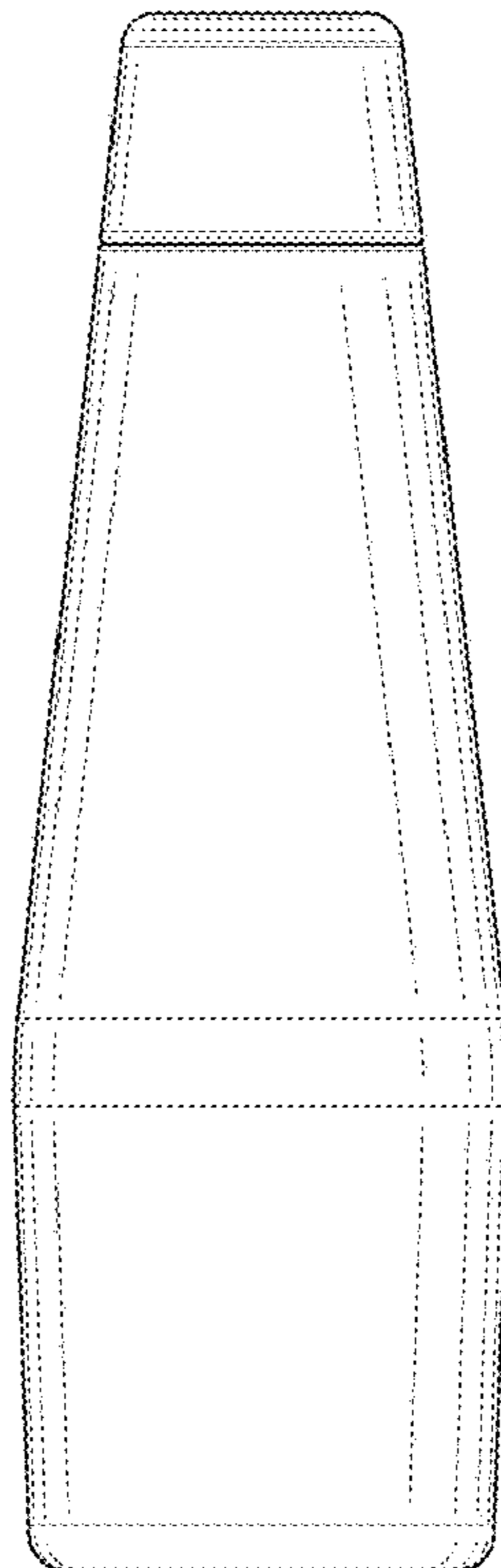
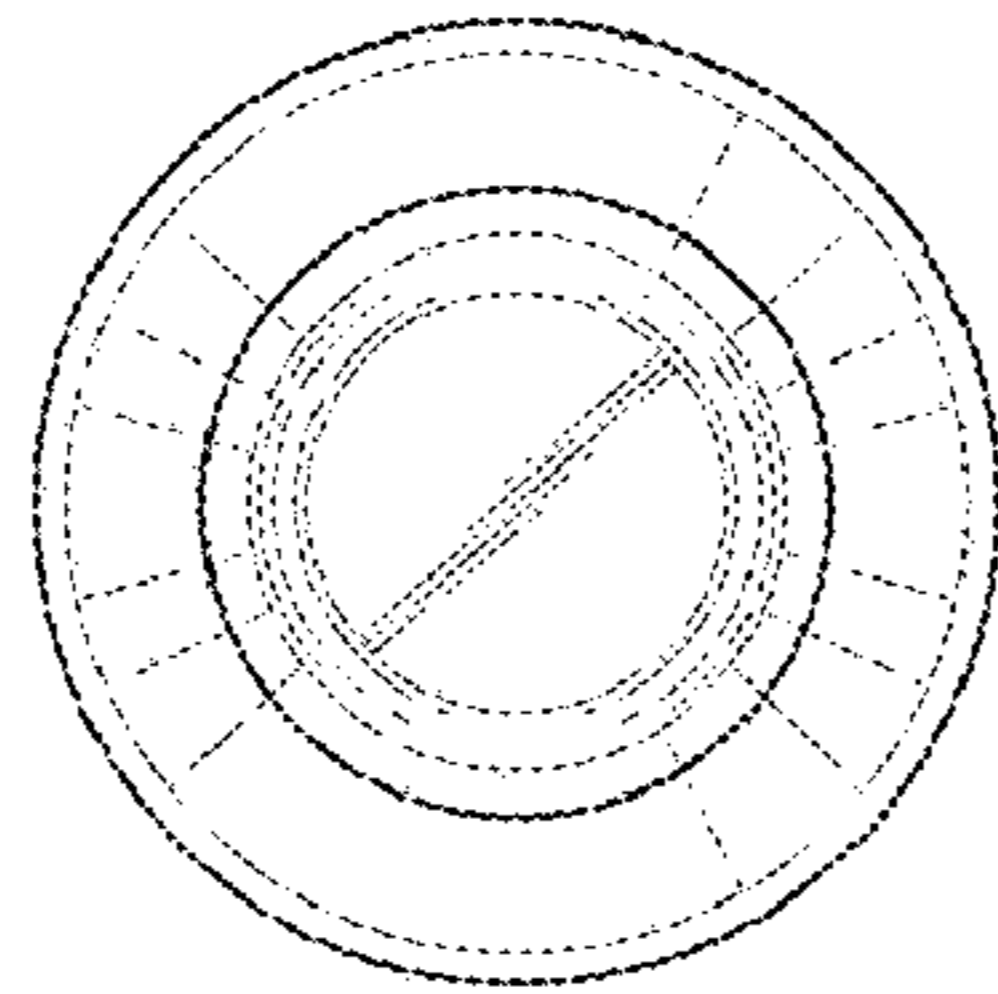
FIG. 3 is a bottom plan view of the tapered bottle of FIG. 1.

FIG. 4 is another top perspective view of the tapered bottle of FIG. 1; and,

FIG. 5 is a front elevation view of the tapered bottle of FIG. 1.

The evenly-dashed broken lines in the drawings illustrate the portions of the tapered bottle that form no part of the claim.

1 Claim, 2 Drawing Sheets



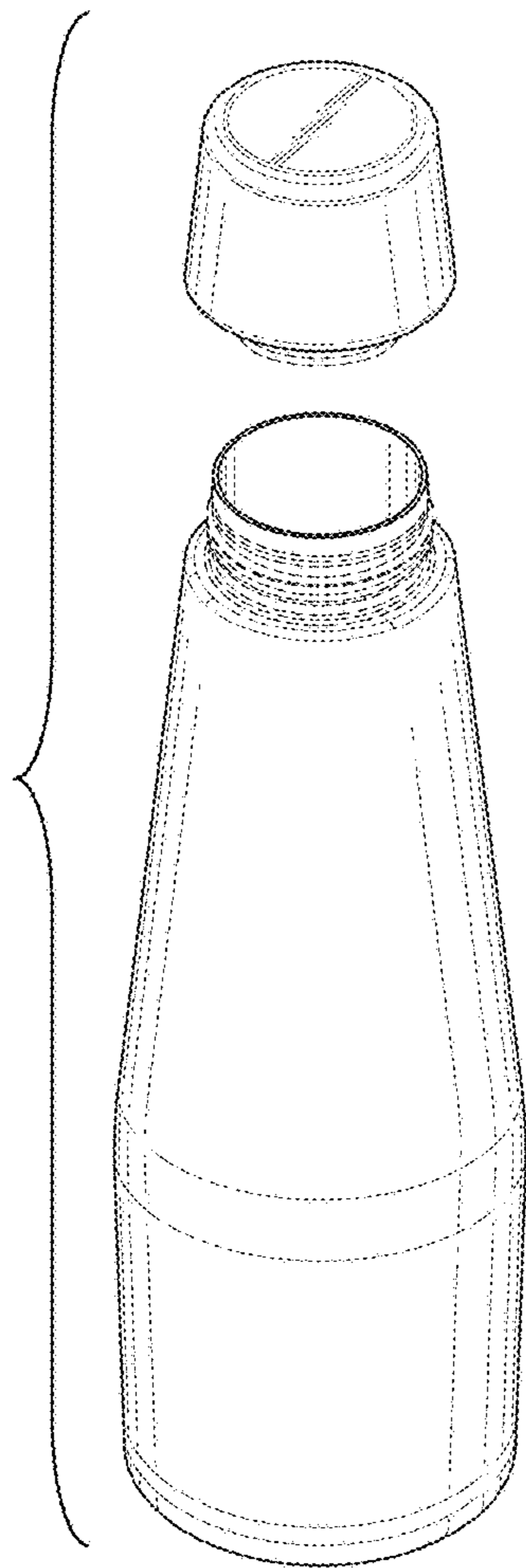


FIG. 1

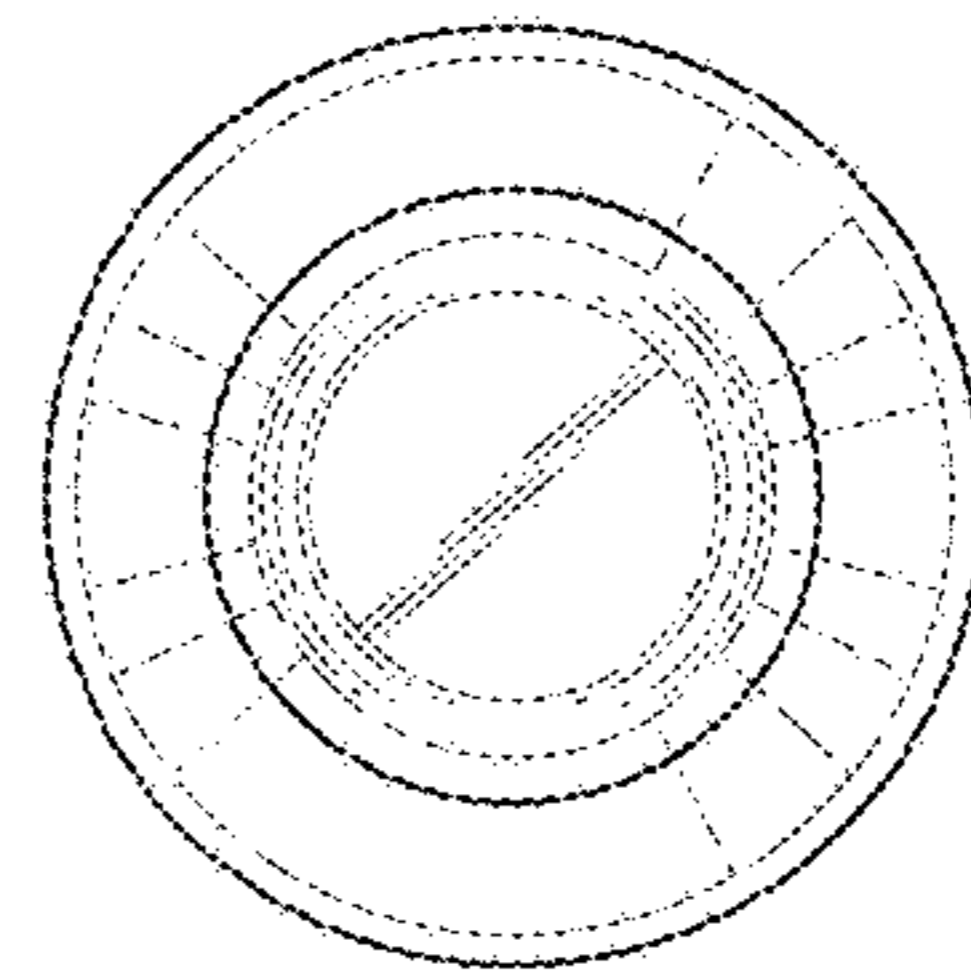


FIG. 2

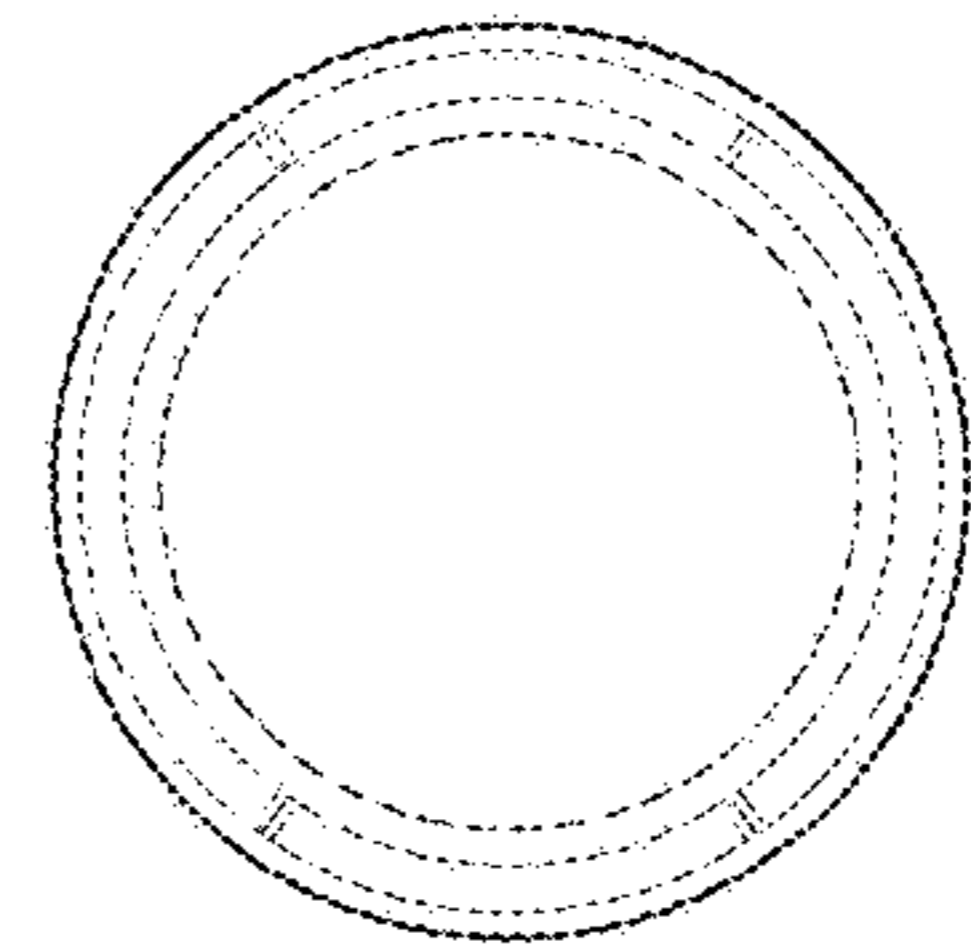


FIG. 3

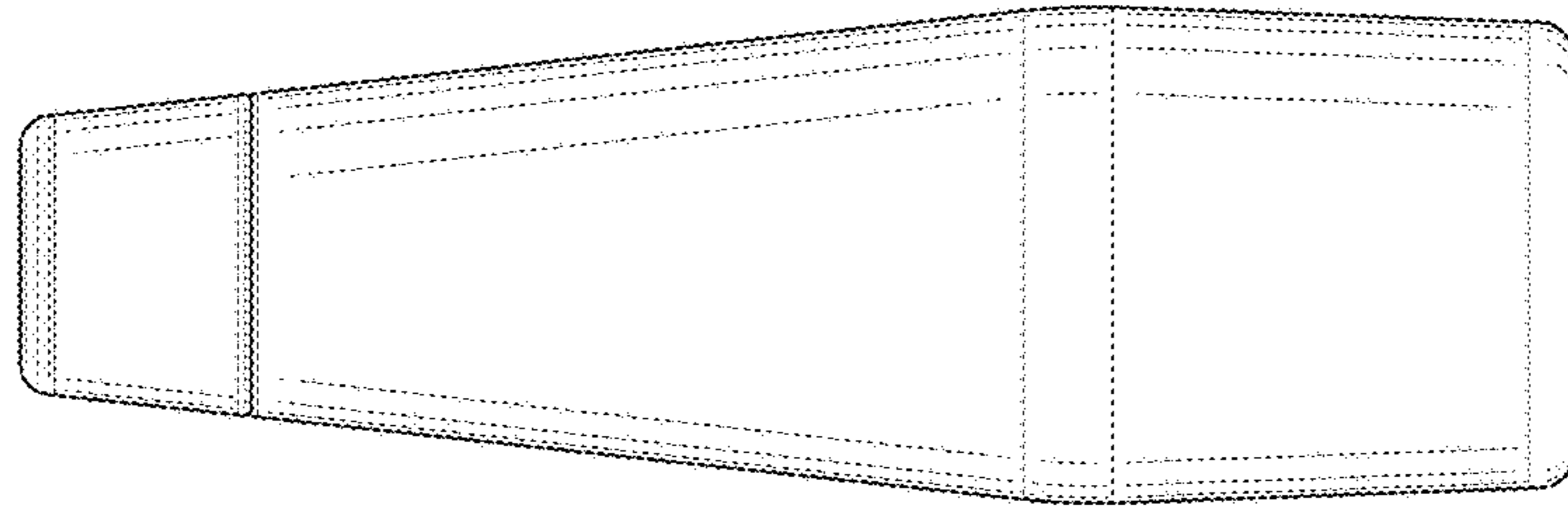


FIG. 5

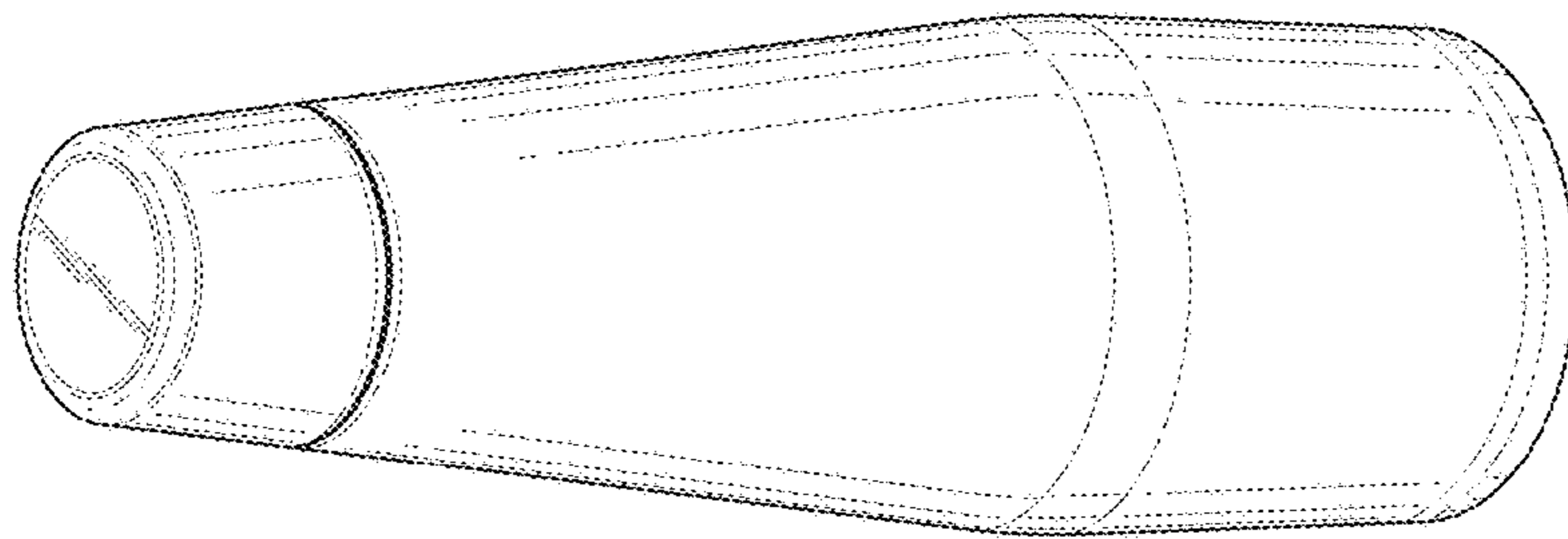


FIG. 4