



US00D859988S

(12) **United States Design Patent** (10) **Patent No.:** **US D859,988 S**  
**Brannock** (45) **Date of Patent:** **\*\* Sep. 17, 2019**

(54) **LID FOR A CONTAINER**  
(71) Applicant: **Harl-Bella Holdings, LLC**, San Juan Capistrano, CA (US)  
(72) Inventor: **Samuel Lincoln Brannock**, San Juan Capistrano, CA (US)  
(73) Assignee: **Harl-Bella Holdings, LLC**, San Juan Capistrano, CA (US)

D510,266 S \* 10/2005 Walsh ..... D9/435  
D523,334 S \* 6/2006 Cetti ..... D9/447  
D563,167 S \* 3/2008 Snedden ..... D7/505  
D628,887 S \* 12/2010 Groubert ..... D9/449  
D628,890 S \* 12/2010 Groubert ..... D9/449  
D629,298 S \* 12/2010 Wong ..... D9/447  
D637,079 S \* 5/2011 Brown ..... D9/447  
D661,582 S \* 6/2012 Gatrost ..... D9/447  
D675,524 S \* 2/2013 Bickert ..... D7/392.1  
D696,941 S \* 1/2014 Kim ..... D9/447  
D696,943 S \* 1/2014 Kim ..... D9/447

(Continued)

(\*\*) Term: **15 Years**

(21) Appl. No.: **29/657,829**

(22) Filed: **Jul. 25, 2018**

(51) **LOC (12) Cl.** ..... **09-07**

(52) **U.S. Cl.**  
USPC ..... **D9/447**

(58) **Field of Classification Search**  
USPC ..... D9/428, 429, 432, 434, 435, 436, 439, D9/440, 443, 444, 445, 447, 449-455, D9/499, 500, 503, 504, 705; D7/317, D7/387, 391, 392, 392.1, 393, 396.1, D7/396.2, 509-511, 538, 900; D3/202, D3/203.2, 294, 302, 318; D28/91  
CPC .. A61J 1/00; A61J 1/1412; B65D 1/00; B65D 1/02; B65D 1/10; B65D 1/46; B65D 2585/56; B65D 2585/545; B65D 41/00; B65D 41/38; B65D 41/56; B65D 41/62; B65D 47/00; B65D 47/06; B65D 47/08; B65D 2543/00046; B65D 2543/00092; B65D 2543/00296; B65D 5/46; B65D 2251/00

See application file for complete search history.

(56) **References Cited**

**U.S. PATENT DOCUMENTS**

D138,003 S \* 5/1944 Sharp ..... D9/447  
D249,646 S \* 9/1978 Ritter ..... D9/447  
D476,892 S \* 7/2003 Martin ..... D9/447

**OTHER PUBLICATIONS**

Michelle No, Here's The Deal With Starbucks' Strawless Lids, BuzzFeed, Inc. 2018, 9 pages.

(Continued)

*Primary Examiner* — Michael A. Pratt  
*Assistant Examiner* — Wendy L Arminio  
(74) *Attorney, Agent, or Firm* — Fish IP Law, LLP

(57) **CLAIM**

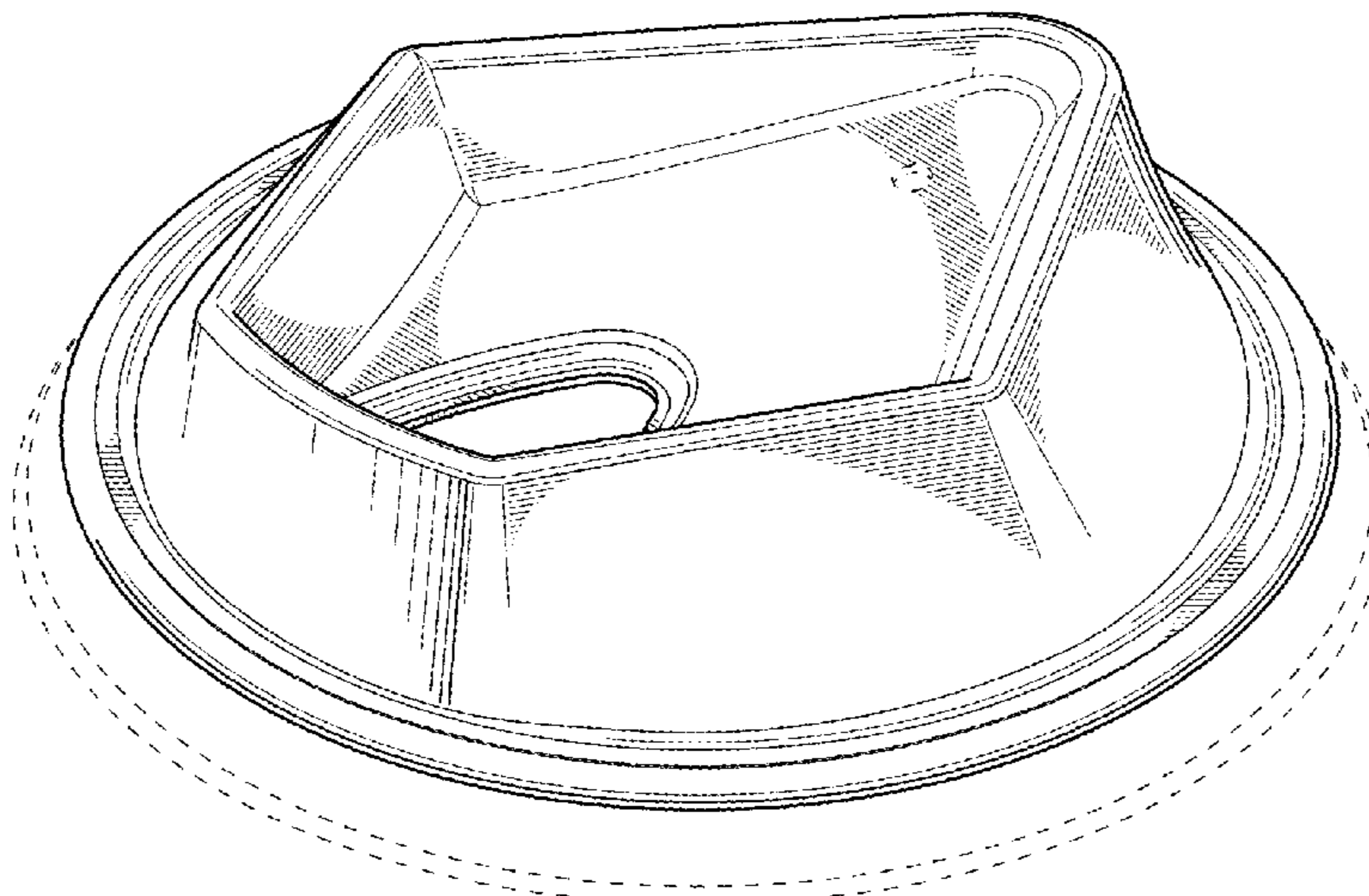
The ornamental design for a lid for a container, as shown and described.

**DESCRIPTION**

FIG. 1 is a top, front, right side perspective view of a lid for a container of the new design.  
FIG. 2 is a front elevation view thereof.  
FIG. 3 is a rear elevation view thereof.  
FIG. 4 is a left side elevation view thereof, the right side elevation view being a mirror image of the left side elevation view.  
FIG. 5 is a top plan view thereof.  
FIG. 6 is a bottom plan view thereof; and,  
FIG. 7 is a cross-sectional view taken in the direction of line 7-7 shown in FIG. 2.

The broken lines are shown for the purpose of illustrating parts of the article that form no part of the claimed design.

**1 Claim, 3 Drawing Sheets**



(56)

**References Cited**

U.S. PATENT DOCUMENTS

8,881,938 B2 11/2014 Brannock  
 D722,498 S \* 2/2015 Fleming ..... D9/447  
 D736,623 S \* 8/2015 Brannock ..... D9/447  
 D739,729 S 9/2015 Brannock  
 D756,773 S \* 5/2016 Brannock ..... D9/438  
 9,340,333 B2 \* 5/2016 Polt ..... B65D 43/065  
 D782,308 S \* 3/2017 Khalaf ..... D9/447  
 9,603,471 B2 \* 3/2017 Green ..... A47G 19/2272  
 D794,449 S \* 8/2017 Polt ..... D9/434  
 9,751,666 B2 9/2017 Brannock  
 D827,437 S \* 9/2018 Oakes ..... D9/447  
 D833,870 S \* 11/2018 Brannock ..... D9/447  
 2009/0294460 A1 \* 12/2009 Hovsepian ..... B65D 43/0212  
 220/713  
 2011/0114655 A1 \* 5/2011 Bailey ..... B65D 43/0214  
 220/713

2014/0042178 A1\* 2/2014 Brannock ..... B65D 47/06  
 220/713  
 2015/0014322 A1\* 1/2015 Kim ..... B65D 43/0212  
 220/373  
 2016/0075490 A1 3/2016 Brannock  
 2016/0345762 A1 12/2016 Brannock  
 2017/0127860 A1\* 5/2017 Khalaf ..... B65D 43/0212  
 2019/0002171 A1\* 1/2019 Brannock ..... B65D 51/1611

OTHER PUBLICATIONS

Melody, New Sippy Lid for Your Nitro Cold Brew, Starbucks  
 Melody.com, 11 pages, Apr. 16, 2017.  
 Sarah Whitten, Starbucks lovers can drink their iced cappuccino and  
 have their foam, too, CNBC, Apr. 17, 2018, 3 pgs.  
 Foodbeast Editors, Starbucks Now Has Sippy Cups, and You Might  
 Never Need a Plastic Straw Again, Taste of Home, May 31, 2018,  
 6 pages.

\* cited by examiner

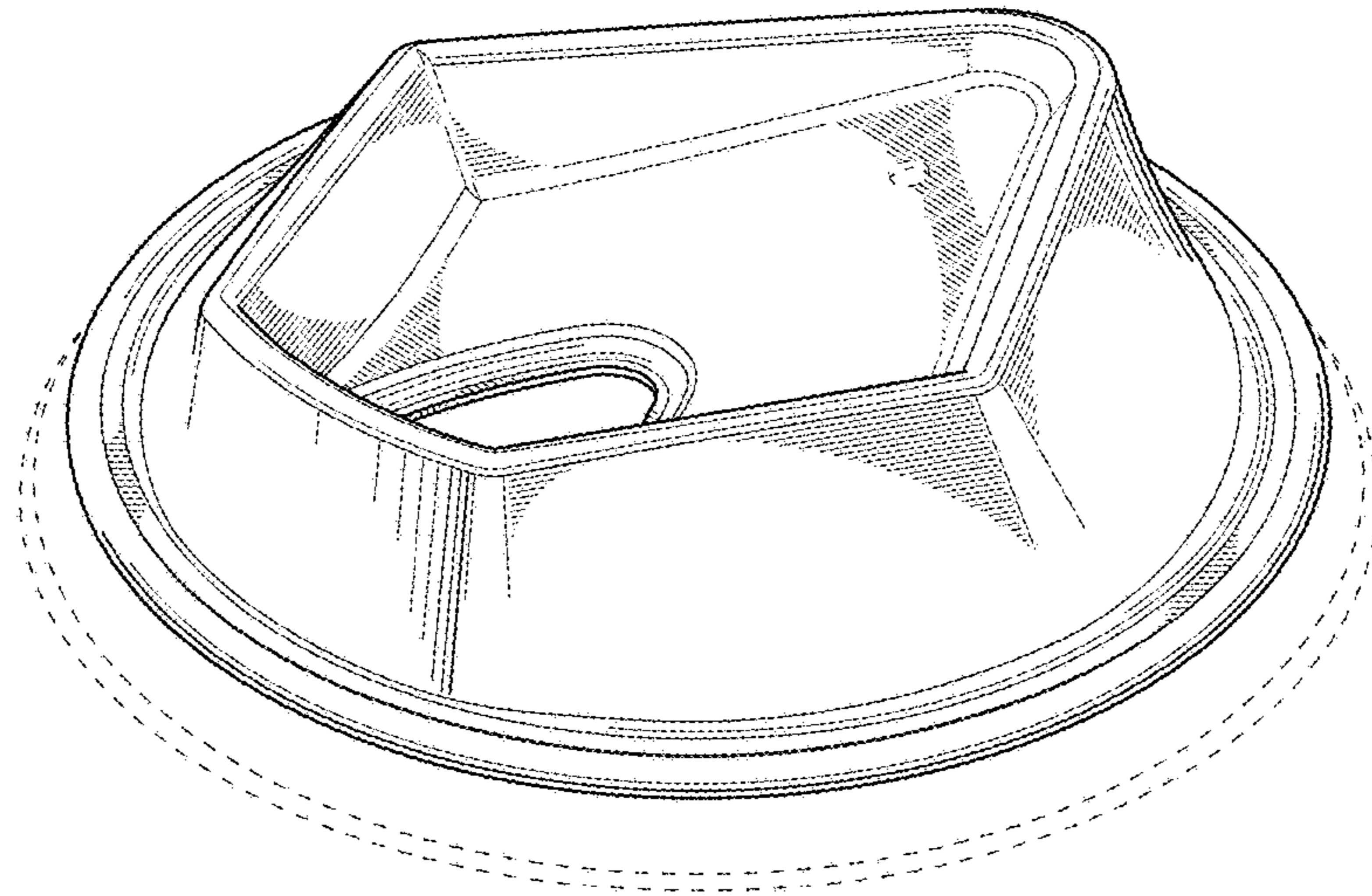


FIG. 1

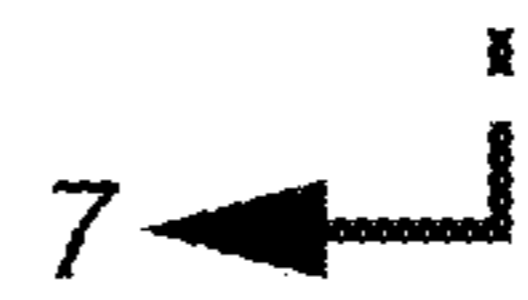
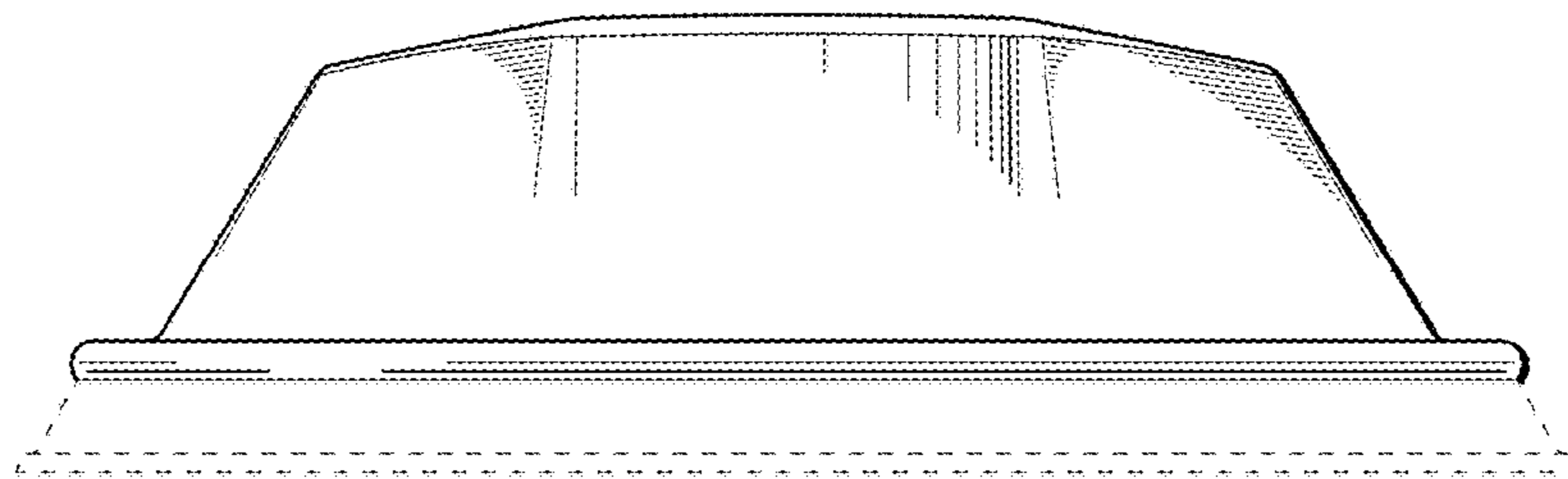
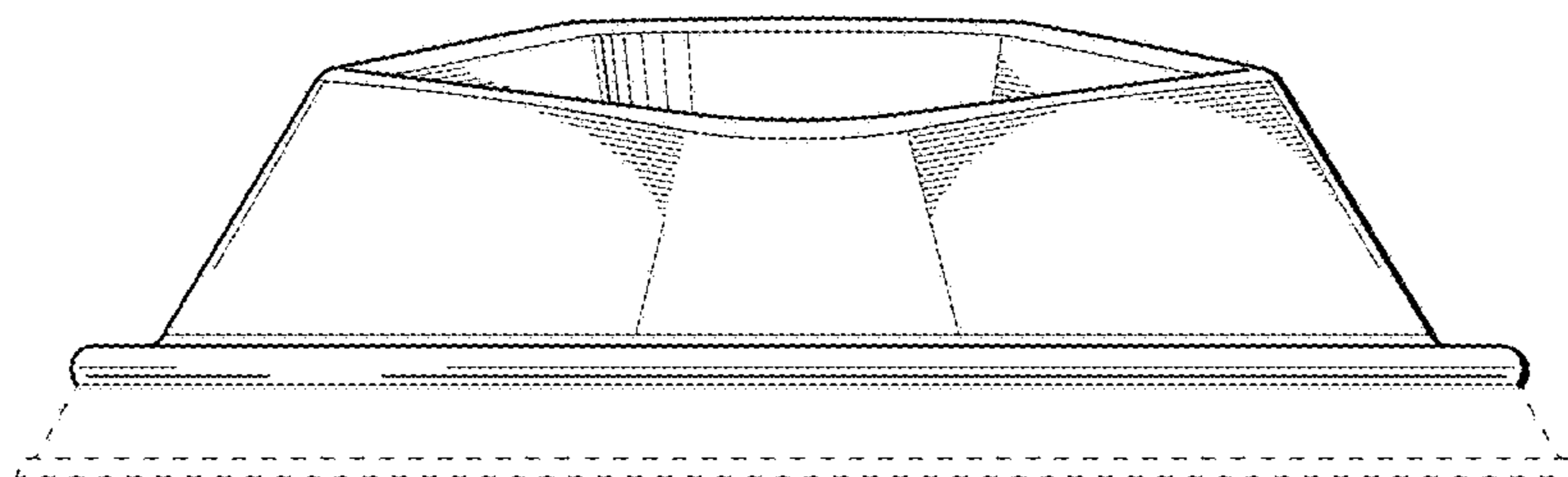


FIG. 2

FIG. 3



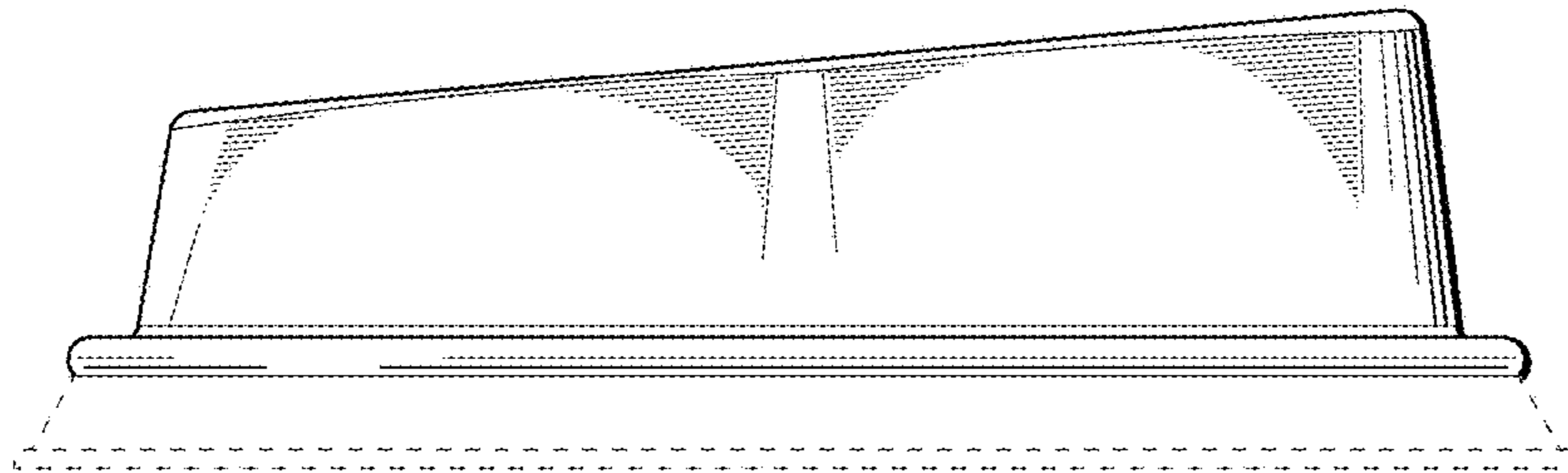


FIG. 4

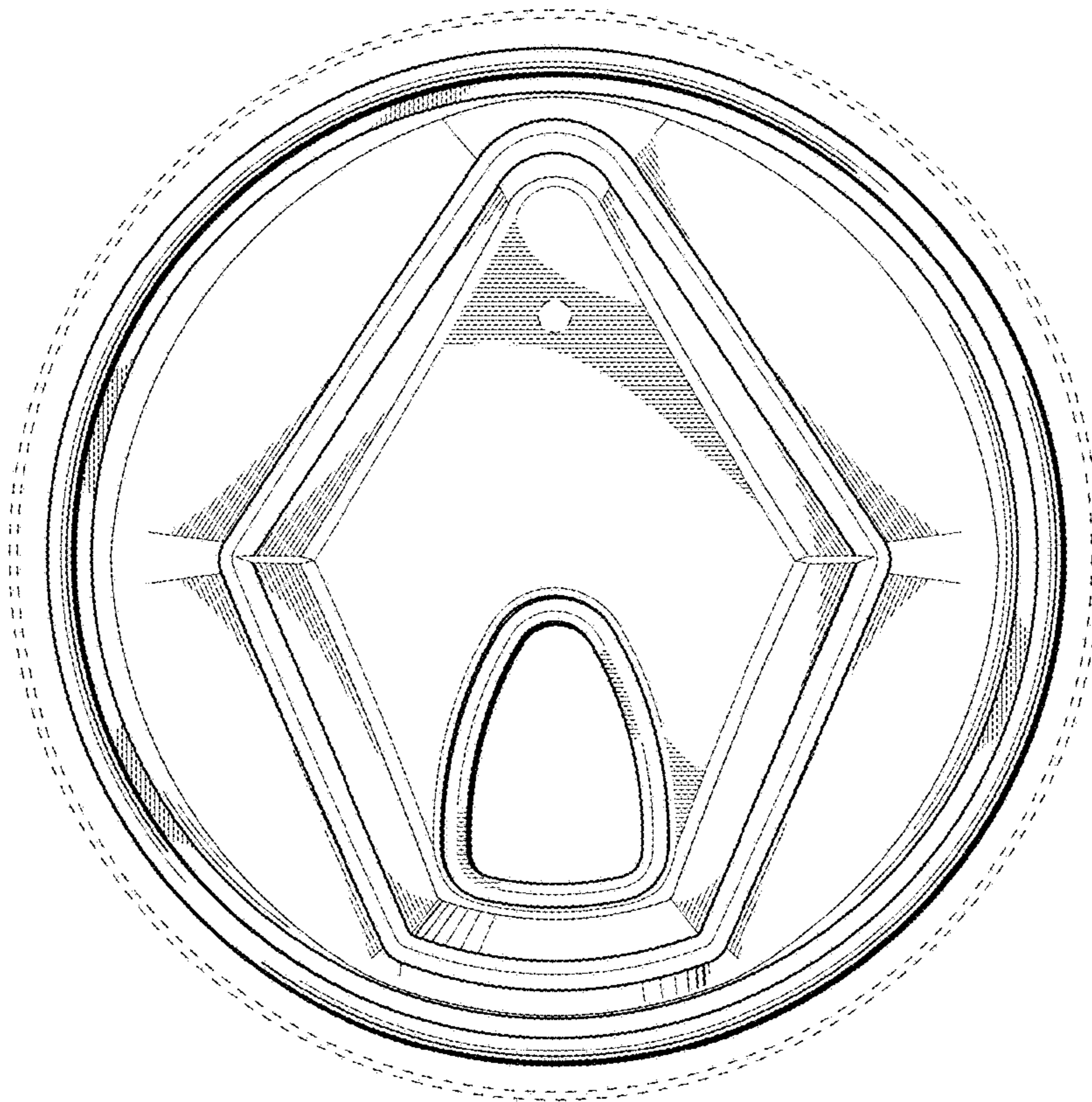


FIG. 5

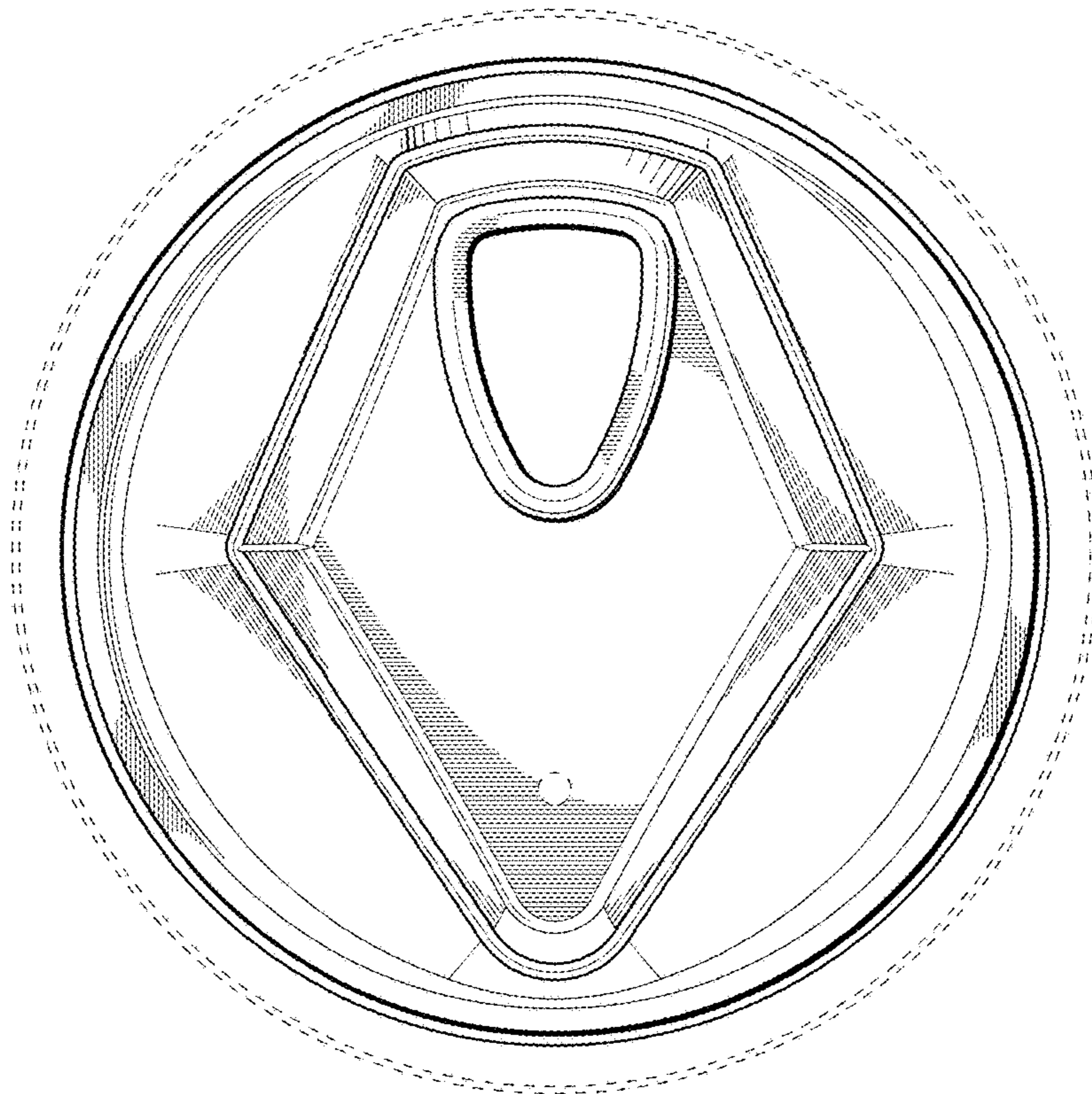


FIG. 6

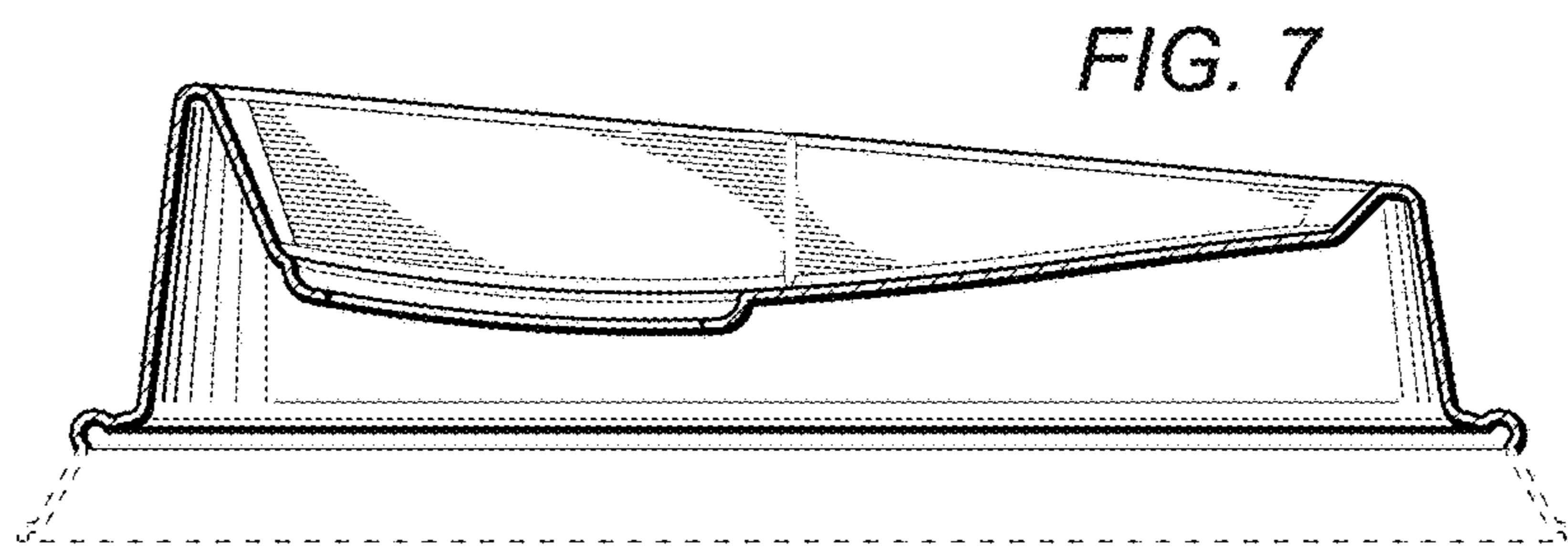


FIG. 7