



US00D859987S

(12) **United States Design Patent**
Kravchenko

(10) **Patent No.:** **US D859,987 S**

(45) **Date of Patent:** **** Sep. 17, 2019**

(54) **SOFT SPATULA TUBE APPLICATOR**

(71) Applicant: **Alina Kravchenko**, Houston, TX (US)

(72) Inventor: **Alina Kravchenko**, Houston, TX (US)

(**) Term: **15 Years**

(21) Appl. No.: **29/609,583**

(22) Filed: **Jul. 1, 2017**

(51) **LOC (12) Cl.** **09-07**

(52) **U.S. Cl.**
USPC **D9/447**

(58) **Field of Classification Search**

USPC D3/202; D7/300.2, 305, 387, 391, 396.1,
D7/300, 300.1, 392.1, 401.1, 509, 523,
D7/528, 529, 537, 553.6, 554.1, 566,
D7/600.1, 601, 602, 619.1, 624.1, 624.2,
D7/649, 670; D9/424, 428, 434, 435,
D9/436, 443, 447, 448, 449, 452, 453,
D9/454, 455, 686, 688, 690, 691, 692,
D9/718, 724; D10/57, 61, 62; D4/127,
D4/129; D24/111, 113, 114, 119, 127,
D24/128, 133, 136, 224; D28/7, 8, 20,
D28/21, 22, 30, 31, 77, 85, 99; D19/194;
D23/259, 260, 261
CPC A45D 2040/0012; A45D 2200/1009; A45D
2200/25; A45D 40/262; B65D 21/0233;
B65D 21/02; B65D 21/265; B65D
23/001; B65D 50/00; B65D 50/041;
B65D 50/04; B65D 2215/00; B65D
2215/02; B65D 41/02; B65D 41/18;
B65D 41/16; B65D 43/20; B65D
43/0212; B65D 2251/009; B65D
2251/0028; B65D 2251/0081; B65D
47/08; B65D 47/32; B65D 2543/00046;
B65D 2543/00092; B65D 2543/00555;
A01K 7/00; A47G 19/22; A47G 19/2205;
A47G 19/2222; A47G 19/2266; A47G
19/2272; A47G 19/2294; A47J 36/10;
A47J 36/14; A47J 36/06

See application file for complete search history.

(56) **References Cited**

U.S. PATENT DOCUMENTS

817,890 A * 4/1906 Williams A45D 34/04
132/74.5
2,106,313 A * 1/1938 Amrine A47G 19/186
220/735
2,149,698 A * 3/1939 Humphrey B65D 51/246
141/112
2,175,735 A * 10/1939 Banks A47G 19/186
141/112
D160,648 S * 10/1950 Muller-Munk D7/391
2,561,252 A * 7/1951 Waring A45D 34/045
401/119
D169,266 S * 4/1953 Lehmann D19/194
2,930,063 A * 3/1960 Stull
D190,204 S * 4/1961 Muller D9/443
3,085,281 A * 4/1963 Massman A45D 34/048
366/130
D198,109 S * 4/1964 Klun D9/436
D198,110 S * 4/1964 Klun D9/436
D217,543 S * 5/1970 Pomodoro D9/443

(Continued)

Primary Examiner — Jennifer Rivard

Assistant Examiner — Catherine S Posthauer

(74) *Attorney, Agent, or Firm* — Scot Fagerland

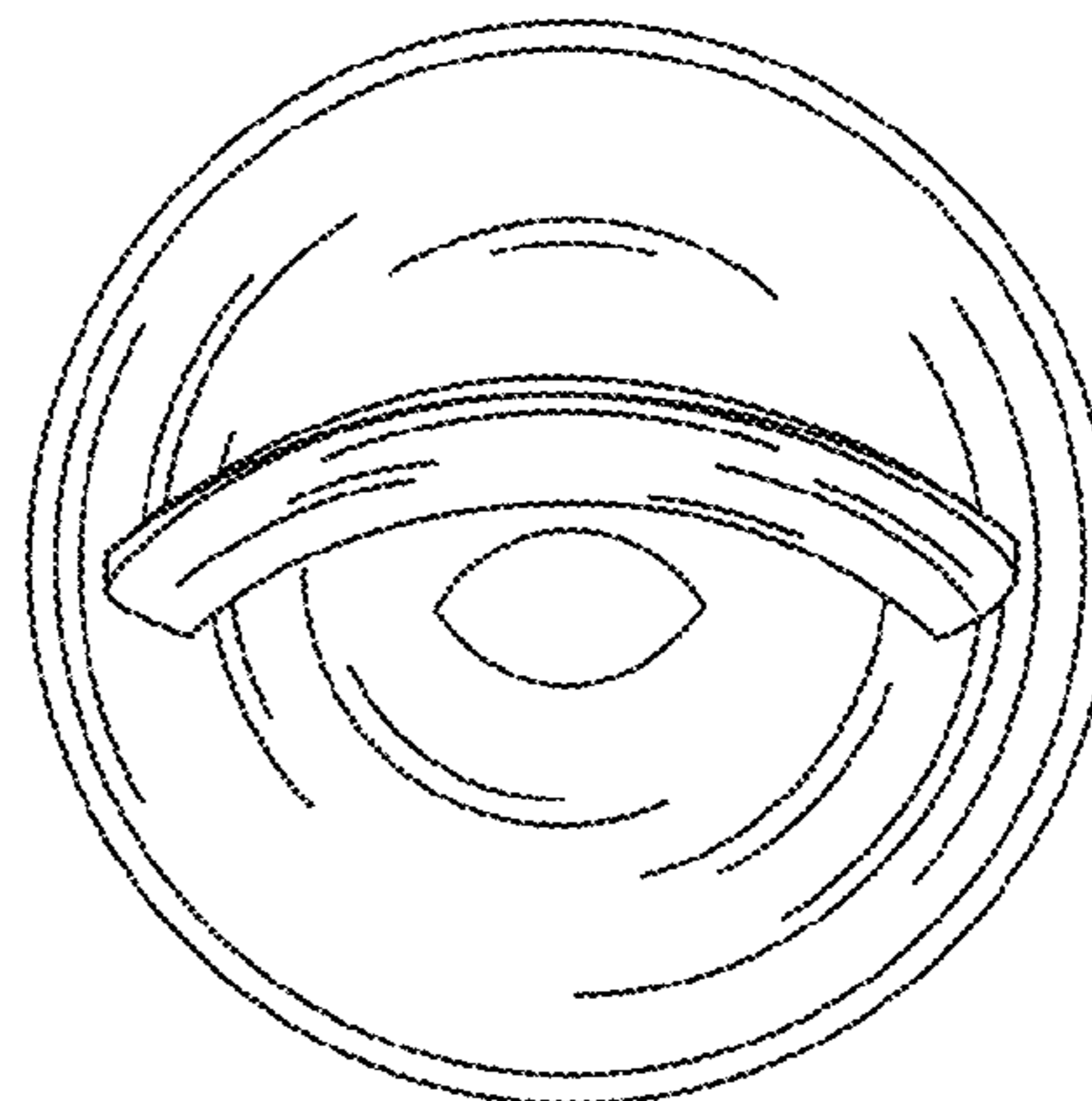
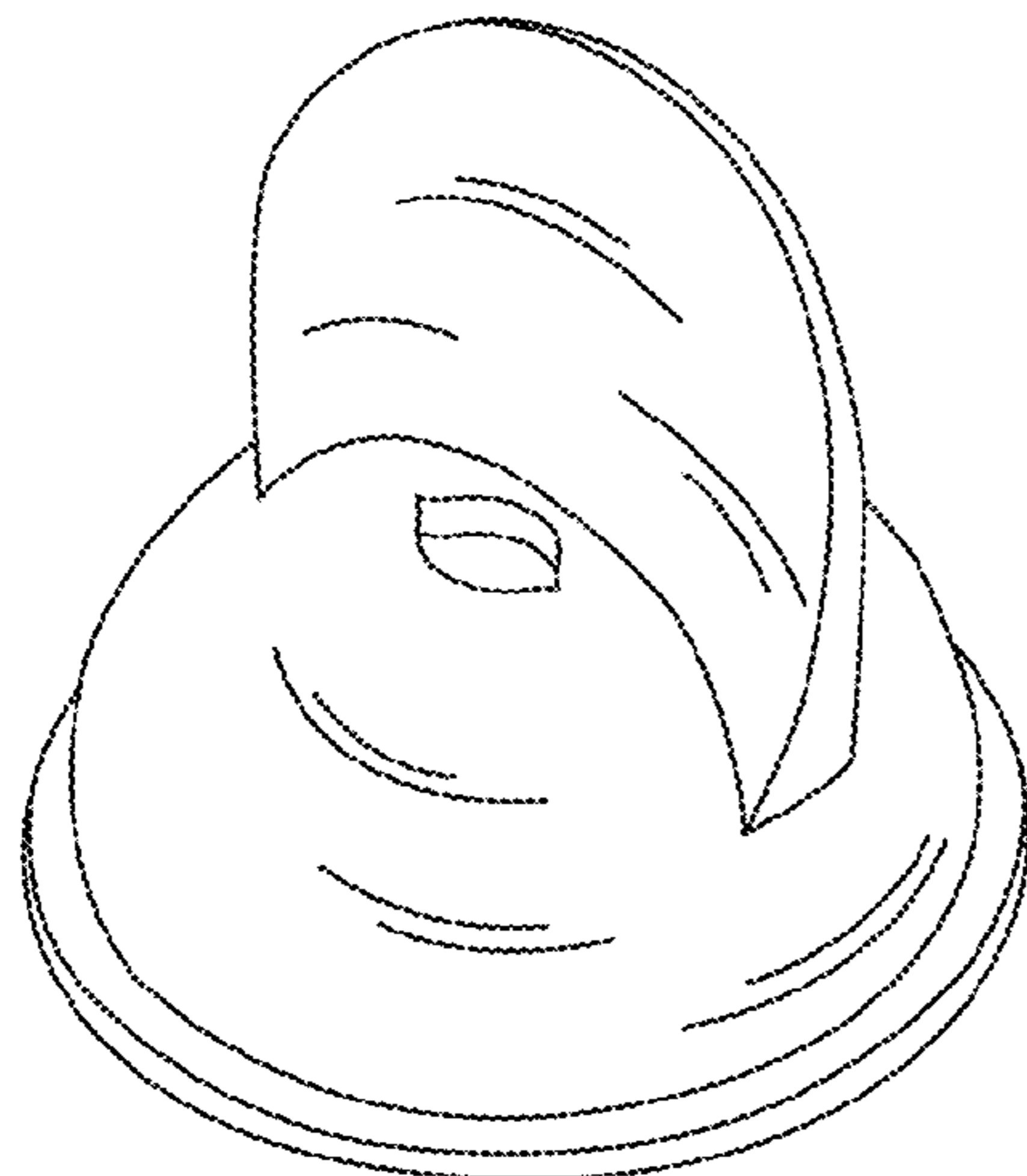
(57) **CLAIM**

I claim the ornamental design for a soft spatula tube applicator, as shown and described.

DESCRIPTION

FIG. 1 is a top perspective view of a soft spatula tube applicator showing my new design;
FIG. 2 is a top plan view thereof;
FIG. 3 is a right side view thereof, the left side being a mirror image thereof;
FIG. 4 is a rear view thereof; and,
FIG. 5 is a front view thereof.

1 Claim, 5 Drawing Sheets



(56)

References Cited

U.S. PATENT DOCUMENTS

D235,315 S * 6/1975 Kotuby D9/448
 D239,599 S * 4/1976 Carroll D9/434
 4,192,360 A * 3/1980 Rodriquez A61J 7/0023
 141/24
 D267,855 S * 2/1983 French D9/434
 D277,458 S * 2/1985 Neggers D9/443
 D277,459 S * 2/1985 Baum D9/443
 D291,779 S * 9/1987 Inaba D9/445
 D302,793 S * 8/1989 Yamaguchi D9/436
 D305,089 S * 12/1989 Thompson D7/379
 D313,923 S * 1/1991 Poe, Jr. D7/693
 5,106,221 A 4/1992 Diot
 5,251,774 A * 10/1993 Engle A47G 19/186
 215/228
 D375,225 S * 11/1996 Cousins D7/391
 D387,631 S * 12/1997 Thibault D7/693
 5,788,104 A * 8/1998 Hoyt B65D 35/36
 15/236.01
 5,797,692 A * 8/1998 Poole B05C 17/00506
 401/139
 D411,451 S * 6/1999 Young D9/443
 D468,424 S * 1/2003 Levesque D24/119
 D498,652 S * 11/2004 Tilton D8/45
 D523,335 S * 6/2006 Nelson D9/447

D530,203 S * 10/2006 Li D9/449
 7,226,230 B2 6/2007 Liberatore
 D583,232 S * 12/2008 Dibnah D9/447
 7,644,832 B1 * 1/2010 Tsengas B65D 43/0208
 220/212
 8,079,488 B2 * 12/2011 Darflinger B65D 51/246
 206/541
 D664,036 S * 7/2012 Procter B65D 43/0212
 D9/447
 D734,540 S * 7/2015 Ettlin D28/7
 D742,064 S * 10/2015 Leidel D27/167
 D762,472 S * 8/2016 Tahmas D10/46.2
 D779,056 S * 2/2017 Brannon D24/127
 D779,937 S * 2/2017 Lane D9/436
 D787,742 S * 5/2017 Cash D28/7
 D790,349 S * 6/2017 Loritz D9/501
 D797,534 S * 9/2017 Pentland D8/45
 D803,054 S * 11/2017 van Spronsen D9/443
 D813,669 S * 3/2018 Pentland D9/447
 D818,362 S * 5/2018 Kalagher D9/436
 D823,110 S * 7/2018 Koe D9/436
 2004/0187885 A1 * 9/2004 Strong A45D 40/18
 132/301
 2015/0080910 A1 * 3/2015 Ismiel-Nash A45D 26/00
 606/134
 2015/0374099 A1 * 12/2015 Pires A45D 40/265
 401/130

* cited by examiner

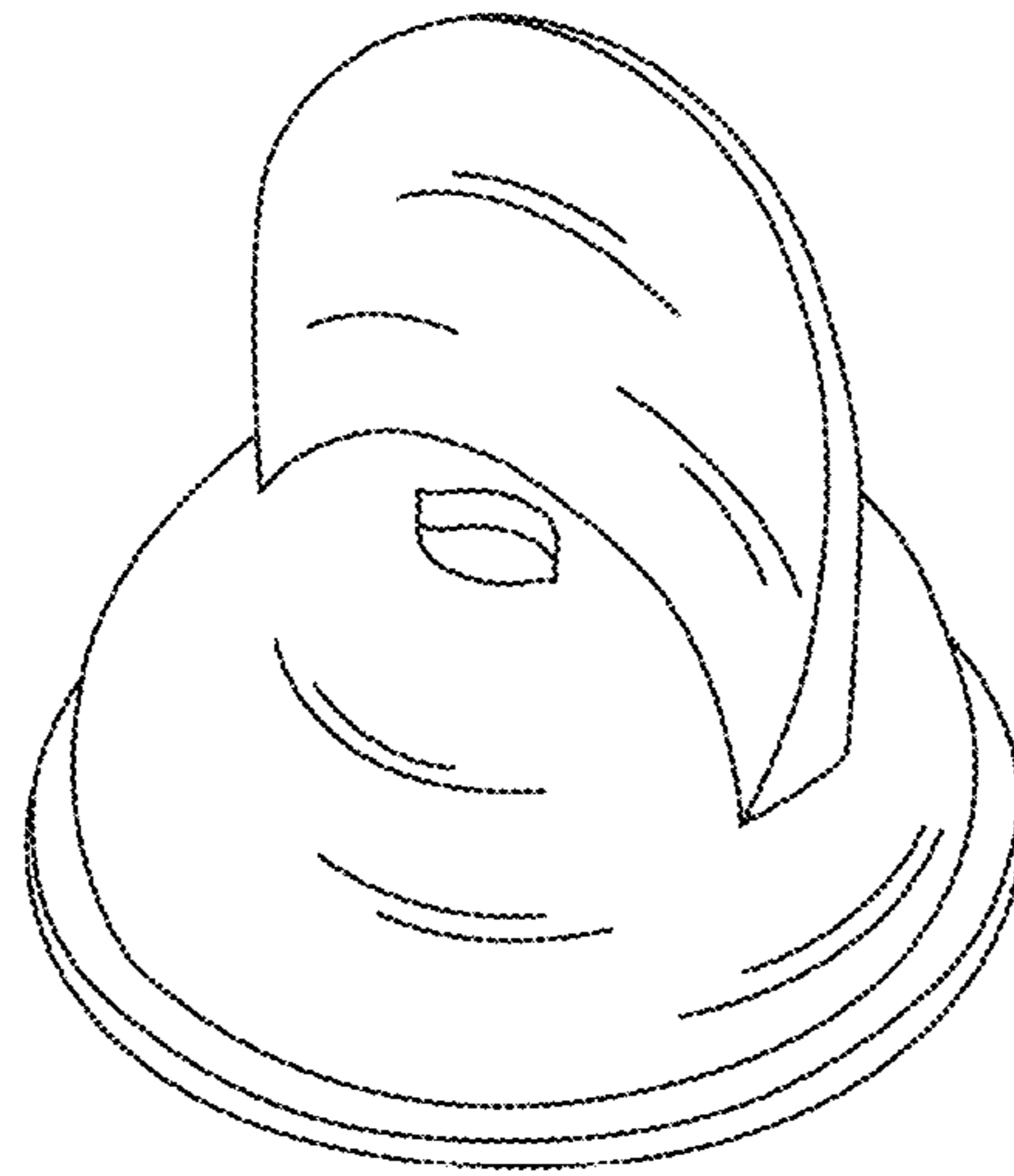


fig. 1

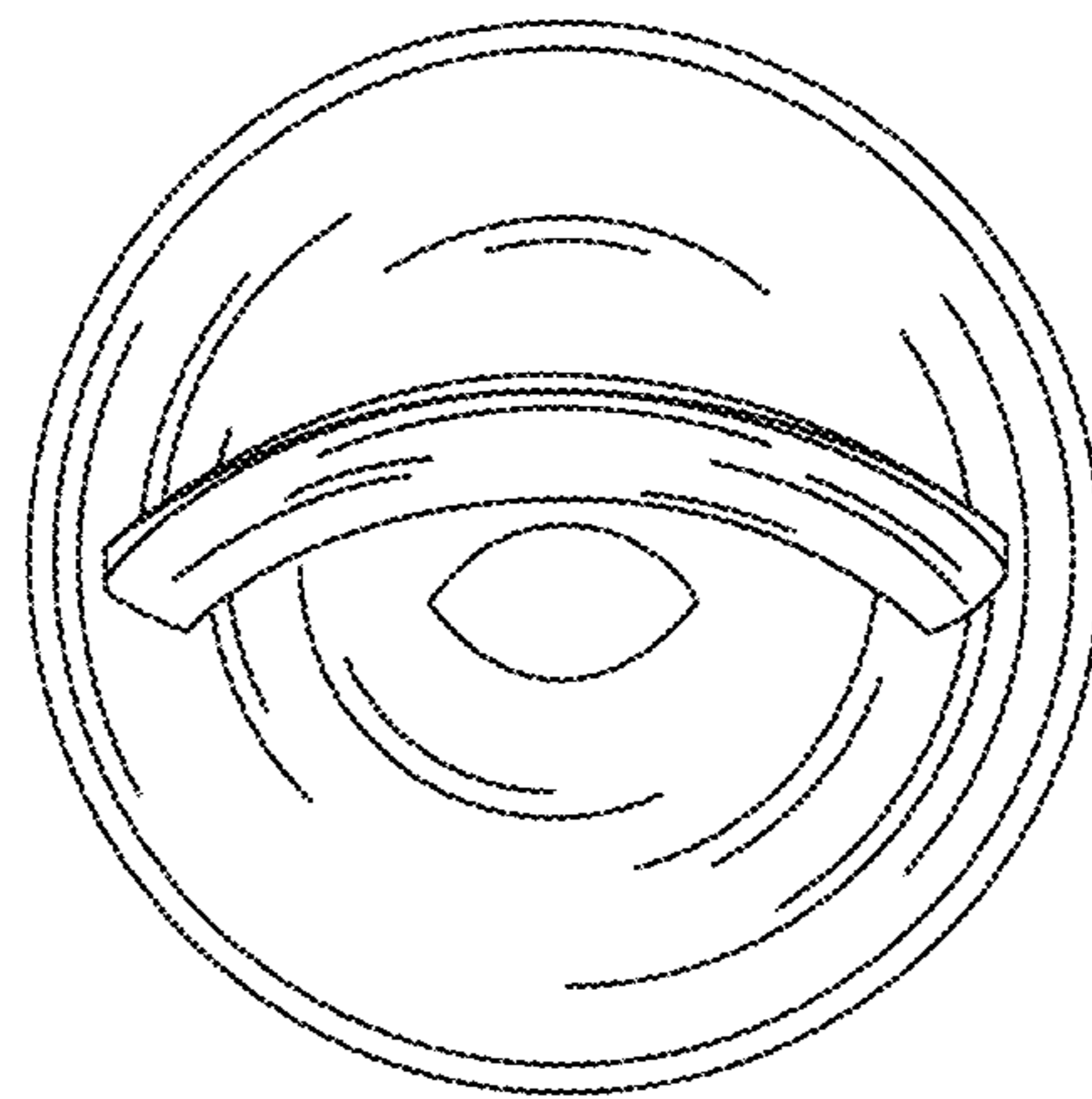


fig. 2

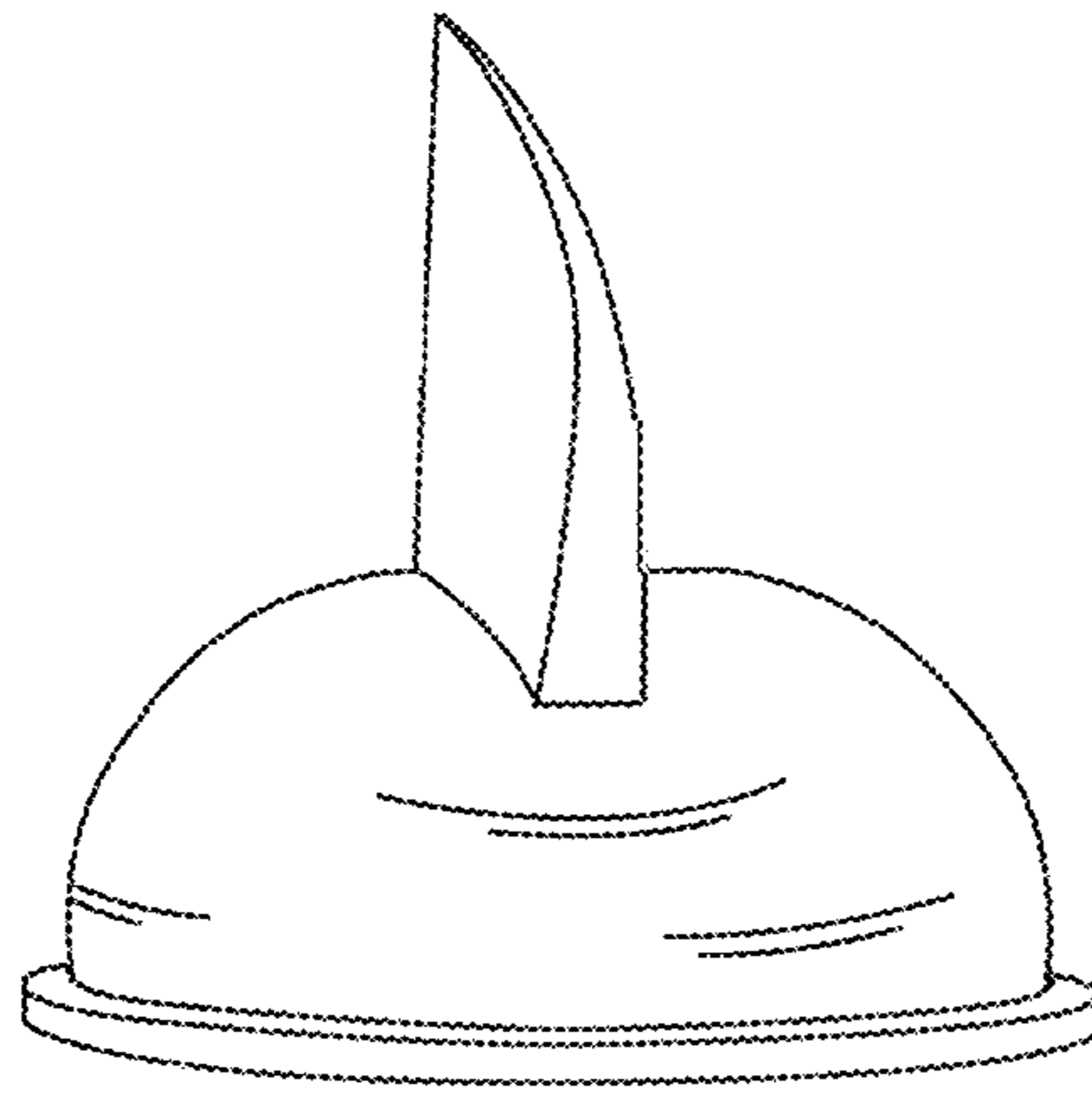


fig. 3

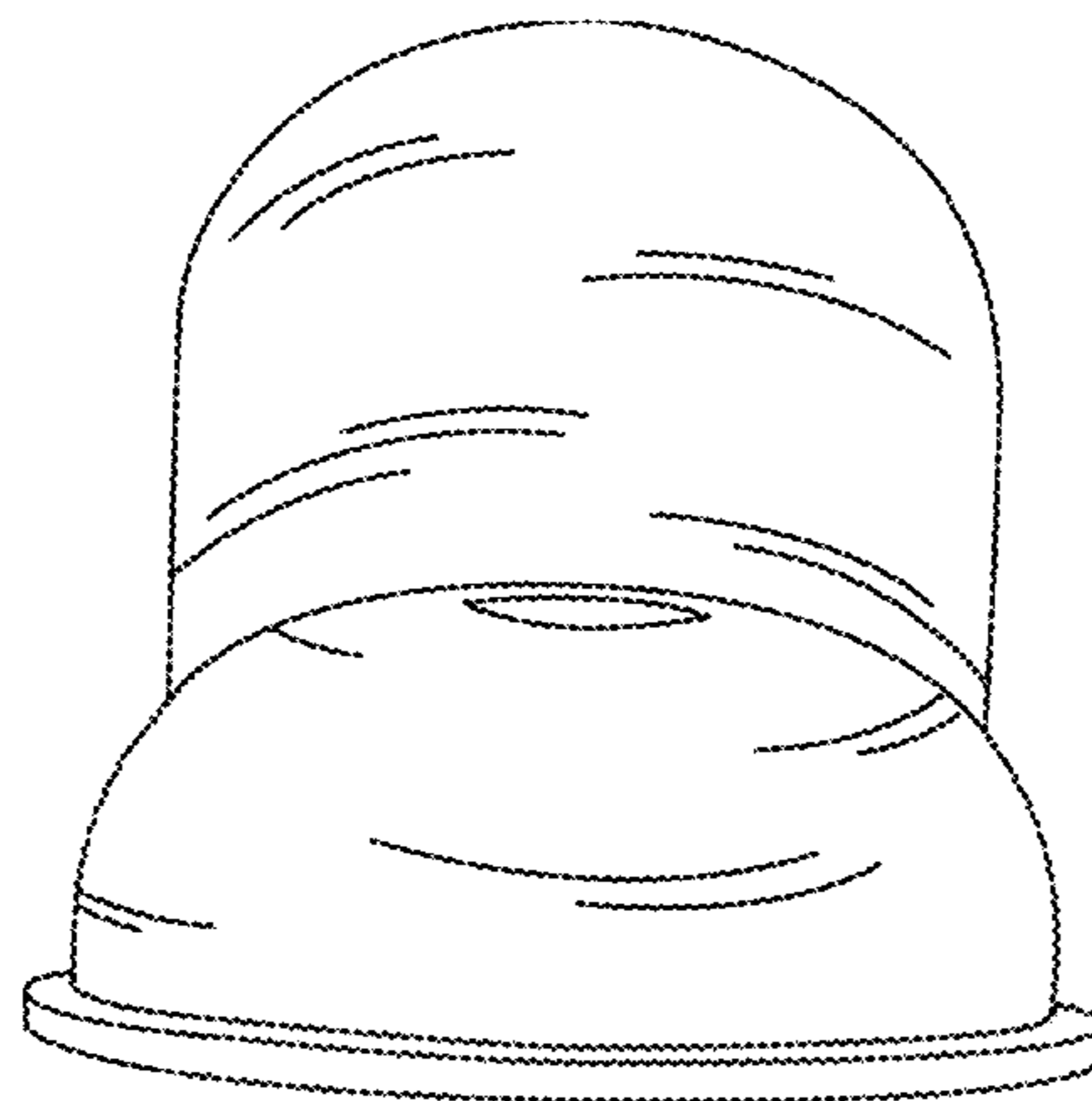


fig. 4

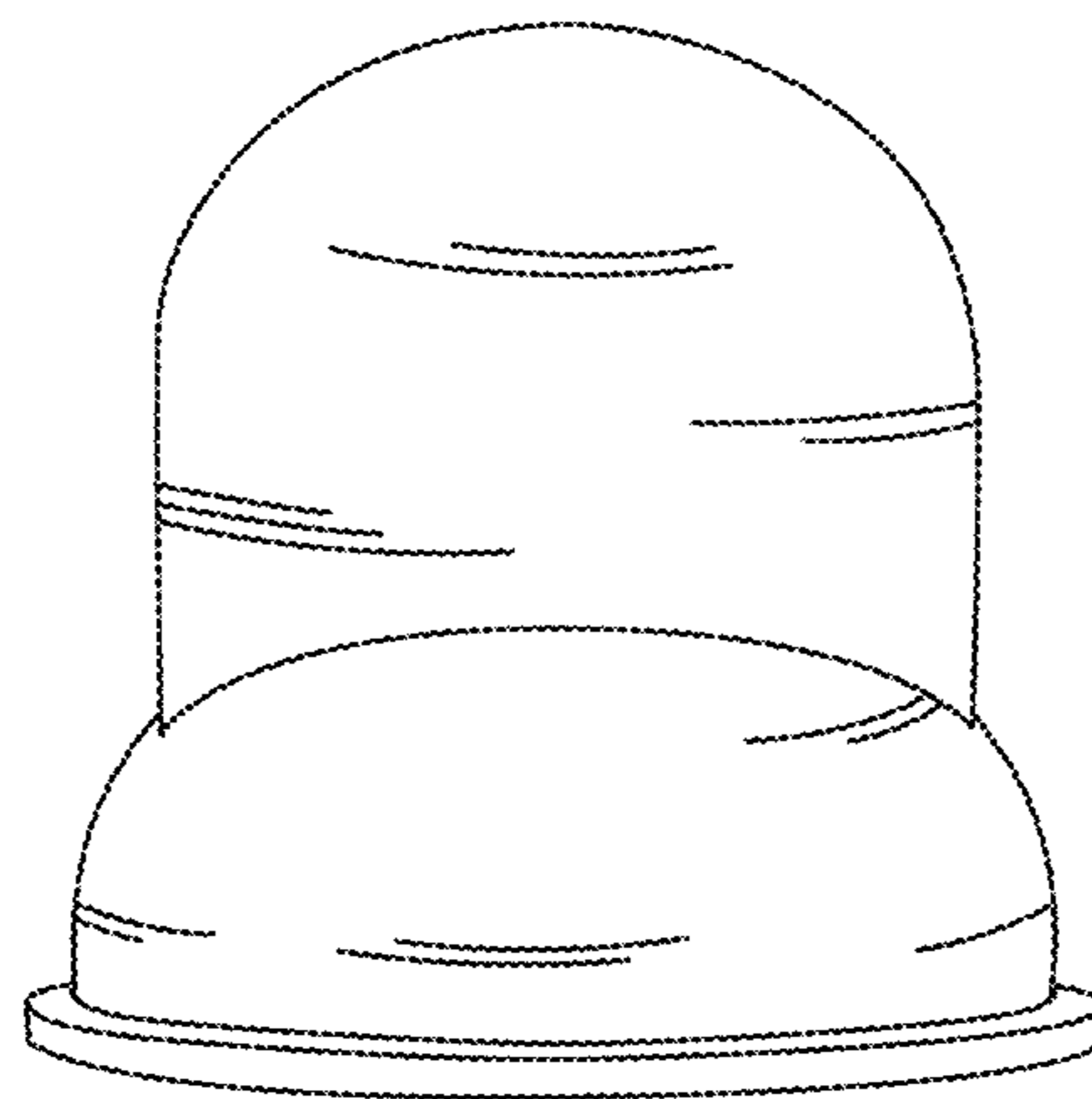


fig. 5