



US00D859985S

(12) **United States Design Patent** (10) **Patent No.:** **US D859,985 S**  
**Deylamian et al.** (45) **Date of Patent:** **\*\* Sep. 17, 2019**

(54) **BOTTLE**

(71) Applicant: **OnMyWhey, LLC**, San Jose, CA (US)

(72) Inventors: **Farbod Deylamian**, New York, NY (US); **David Jacobsen**, San Diego, CA (US); **Kyle Lewis**, San Mateo, CA (US); **Kayvon Pourmirzaie**, San Jose, CA (US)

(73) Assignee: **OnMyWhey, LLC**, San Jose, CA (US)

(\*\*) Term: **15 Years**

(21) Appl. No.: **29/679,728**

(22) Filed: **Feb. 8, 2019**

**Related U.S. Application Data**

(63) Continuation of application No. 29/587,289, filed on Dec. 12, 2016, now Pat. No. Des. 844,435.

(51) **LOC (12) Cl.** ..... **09-01**

(52) **U.S. Cl.**  
USPC ..... **D9/436; D9/454**

(58) **Field of Classification Search**

USPC ..... D9/434–436, 443, 454, 499, 500–504, D9/516, 529, 549, 558, 715, 719, 722, D9/741, 745–746; D3/203.1–203.2, D3/207–208, 212, 215; D7/391, 507, D7/590, 629–630  
CPC ..... B65D 1/00; B65D 1/02; B65D 1/0223; B65D 11/04; B65D 23/00; B65D 23/0003; B65D 51/24; B65D 2313/00; B65D 2501/00; B65D 2501/0009; B65D 2501/0072; B65D 1/06; A63B 29/02; Y10T 24/45346; Y10T 24/45435

See application file for complete search history.

(56) **References Cited**

U.S. PATENT DOCUMENTS

2,813,650 A	11/1957	Yonendo	
3,212,663 A	10/1965	Greenwell	
D239,159 S	3/1976	Picker	
D243,065 S	1/1977	Picker	
D278,597 S	4/1985	McAlinden	
D287,335 S	12/1986	Anderson	
D315,095 S	3/1991	Wright	
D316,671 S *	5/1991	Rohmeder	401/126
D354,914 S	1/1995	Newman	
D433,336 S	11/2000	Weber	
D481,937 S	11/2003	McRae	
D489,171 S	5/2004	Jackson	
D606,447 S	12/2009	West et al.	
D612,240 S *	3/2010	Cresswell	D9/454
D618,906 S	7/2010	Covington et al.	
D646,888 S *	10/2011	Kieswetter	D3/208
D653,116 S	1/2012	McMahon et al.	
D654,366 S	2/2012	Presche et al.	

(Continued)

*Primary Examiner* — Dana Meyrow

(74) *Attorney, Agent, or Firm* — Young Basile Hanlon & MacFarlane, P.C.

(57) **CLAIM**

The ornamental design for a bottle, as shown and described.

**DESCRIPTION**

FIG. 1 is a first perspective view of an embodiment of a bottle.

FIG. 2 is a second perspective view of the bottle shown in FIG. 1.

FIG. 3 is a front view of the bottle shown in FIG. 1.

FIG. 4 is a back view of the bottle shown in FIG. 1.

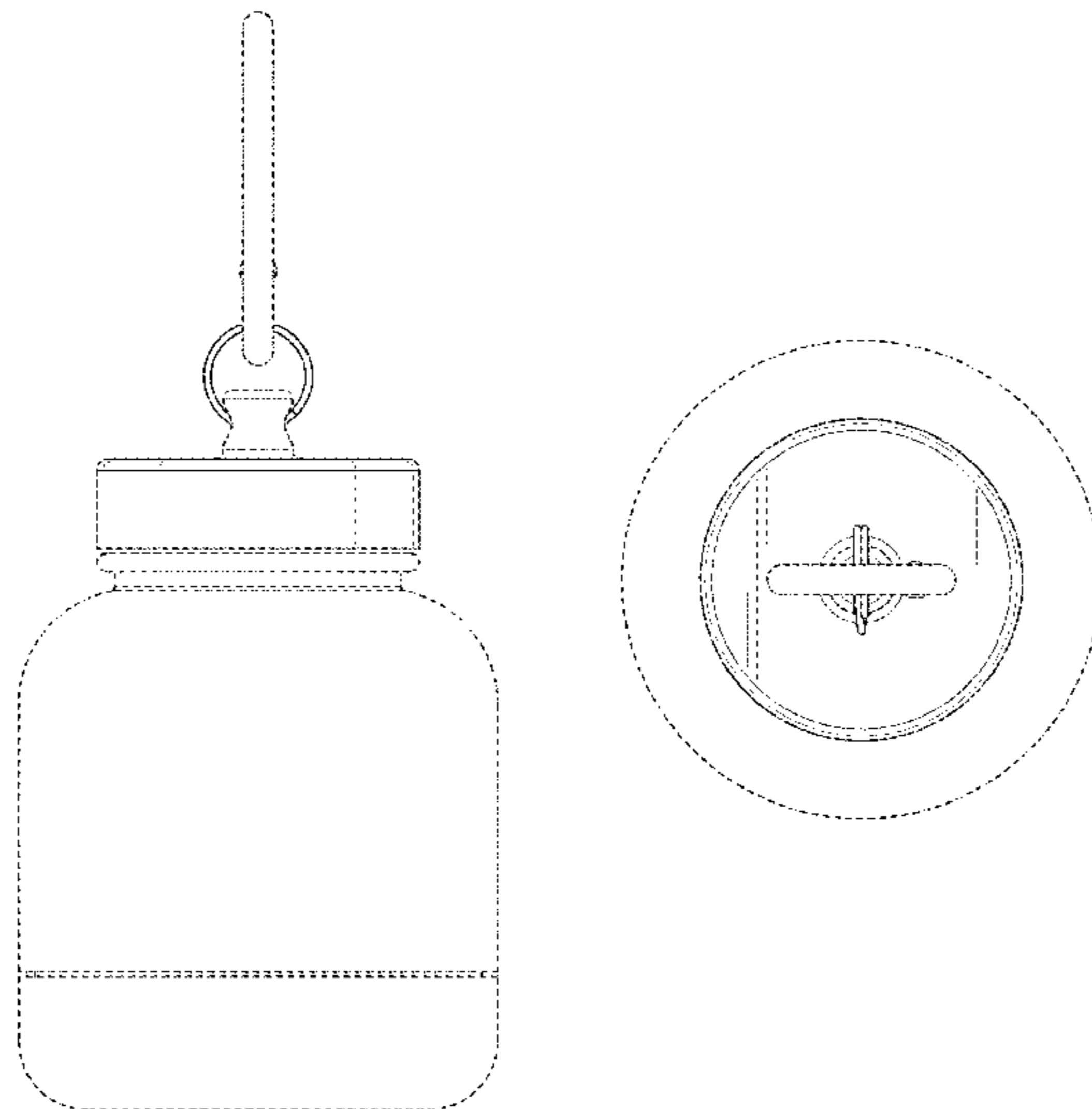
FIG. 5 is a left view of the bottle shown in FIG. 1.

FIG. 6 is a right view of the bottle shown in FIG. 1; and,

FIG. 7 is a top view of the bottle shown in FIG. 1.

The broken lines shown in the drawings are included purposes of illustrating portions of the bottle and form no part of the claimed design.

**1 Claim, 7 Drawing Sheets**



(56)

**References Cited**

U.S. PATENT DOCUMENTS

D679,960	S	*	4/2013	Hopkins .....	D7/629
D680,319	S		4/2013	Lawrence	
D680,387	S	*	4/2013	Hopkins .....	D7/629
D690,161	S		9/2013	Garner	
D690,772	S		10/2013	Kado	
D752,925	S		4/2016	Lewis et al.	
D759,480	S		6/2016	Shugar	
D785,455	S		5/2017	James et al.	
D805,909	S		12/2017	Matsuishi	
D807,177	S		1/2018	Belinsky et al.	
D831,489	S		10/2018	Deylamian et al.	
D832,100	S	*	10/2018	Deylamian .....	D9/443
D832,106	S	*	10/2018	Deylamian .....	D9/516
2008/0308518	A1		12/2008	Sprishen	
2011/0309083	A1		12/2011	Hsiu-Tzu	
2018/0162582	A1		6/2018	Deylamian et al.	

\* cited by examiner

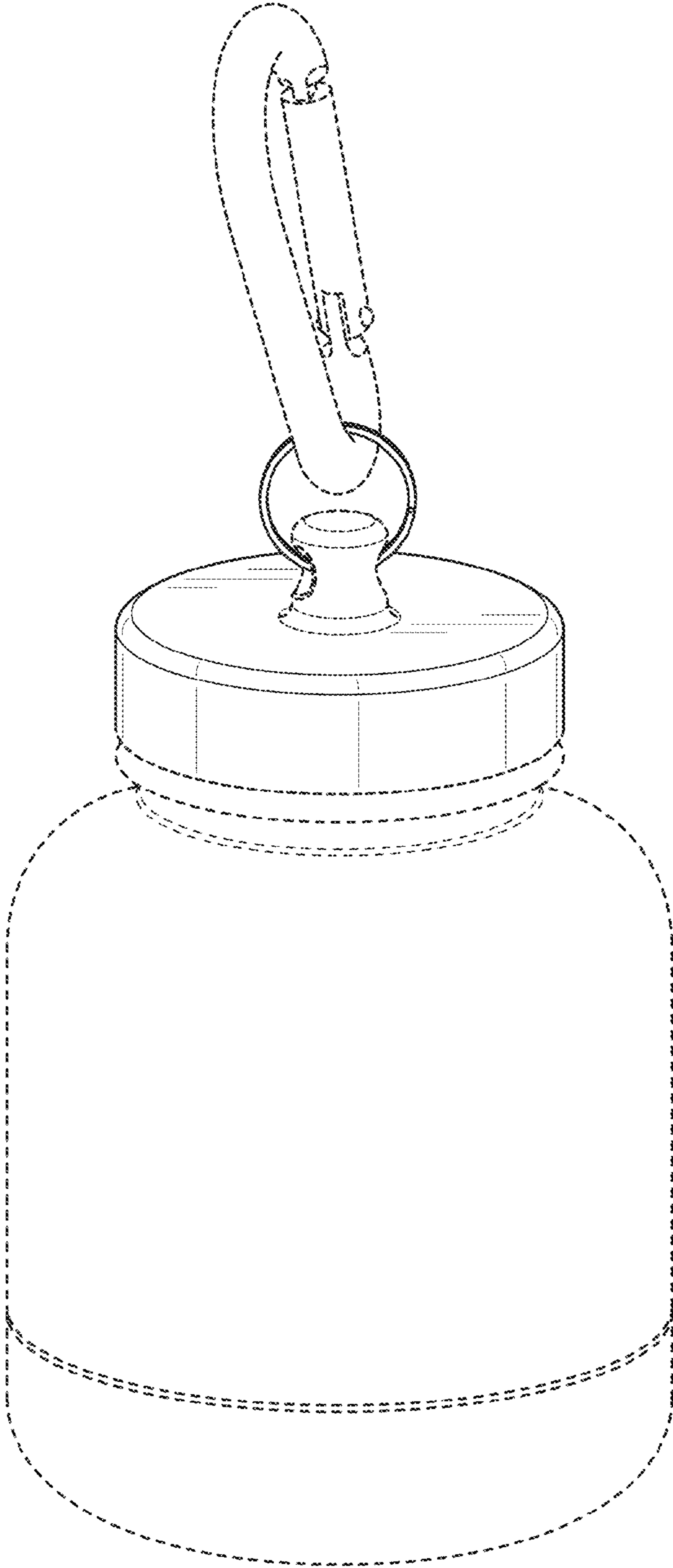


FIG. 1

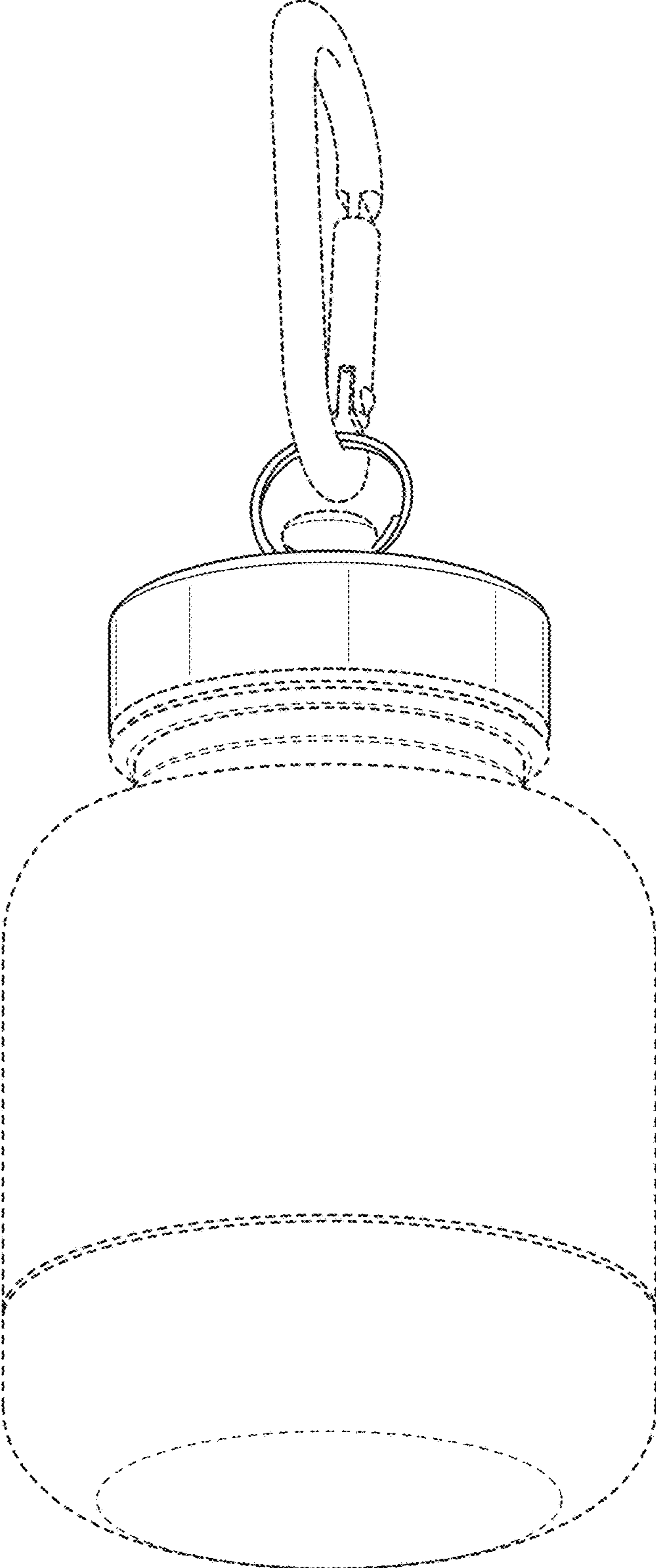


FIG. 2

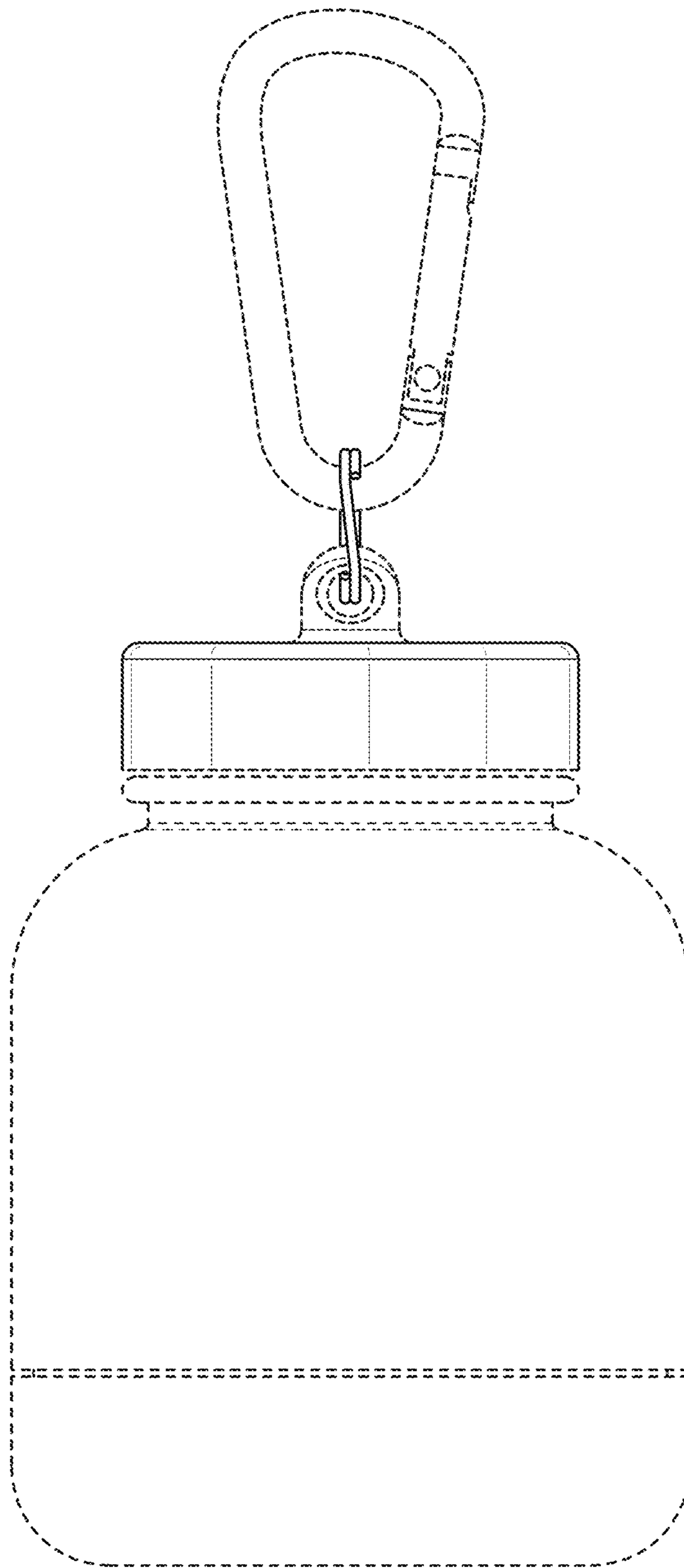


FIG. 3

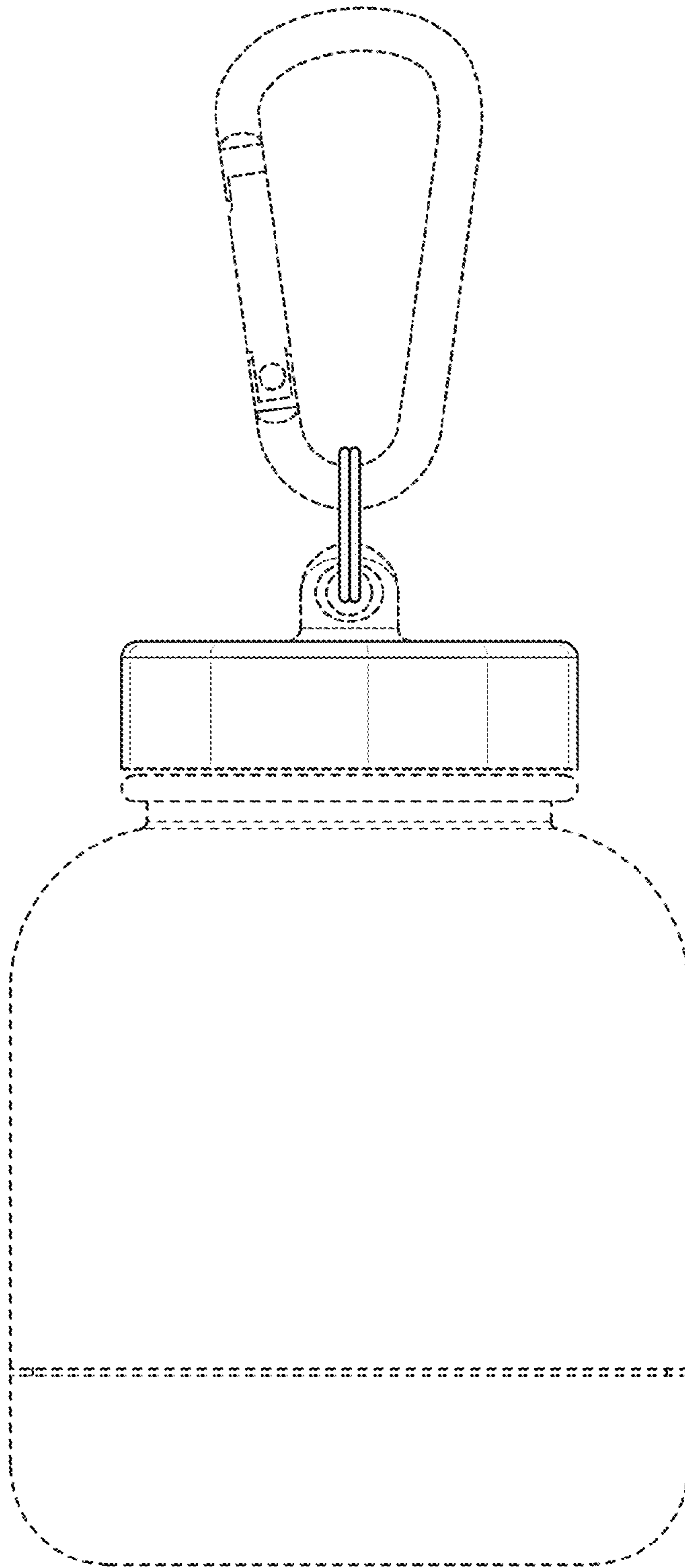


FIG. 4

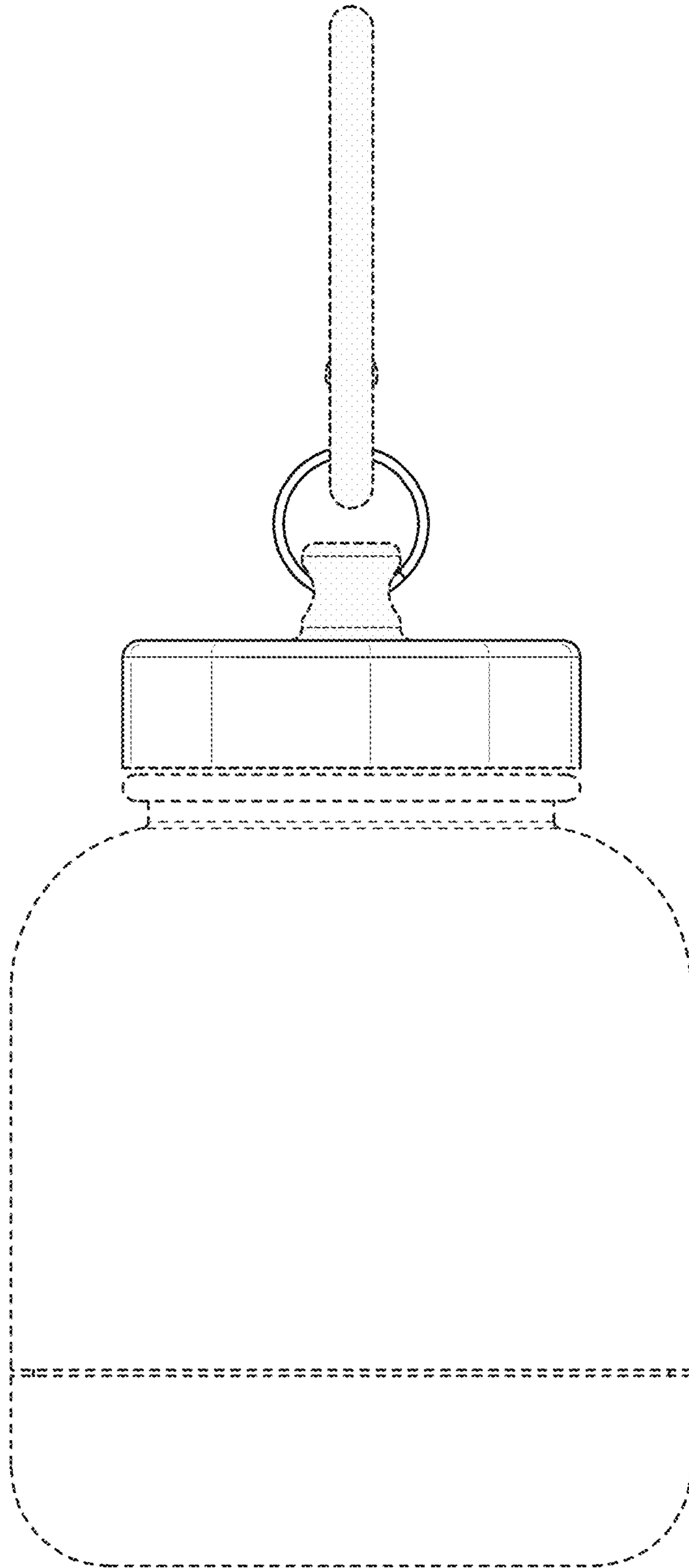


FIG. 5

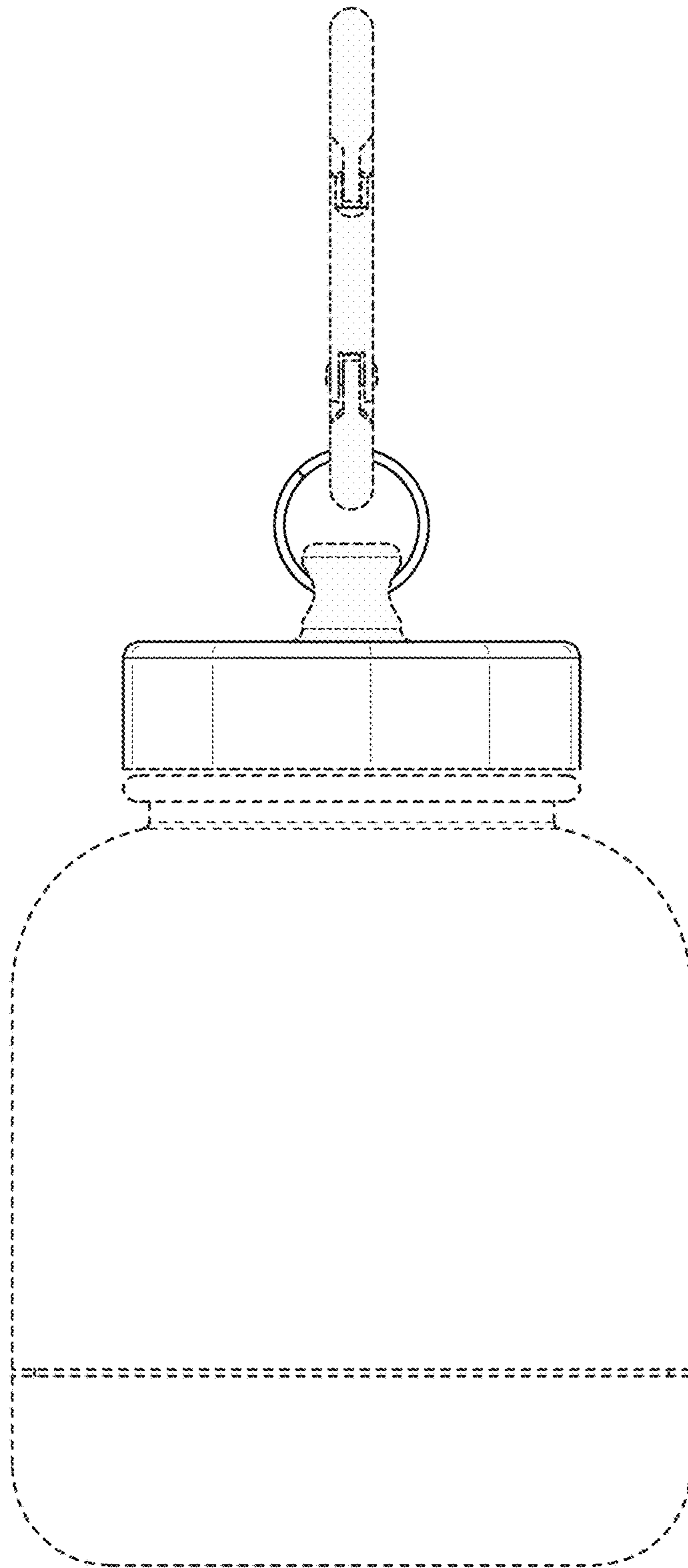


FIG. 6



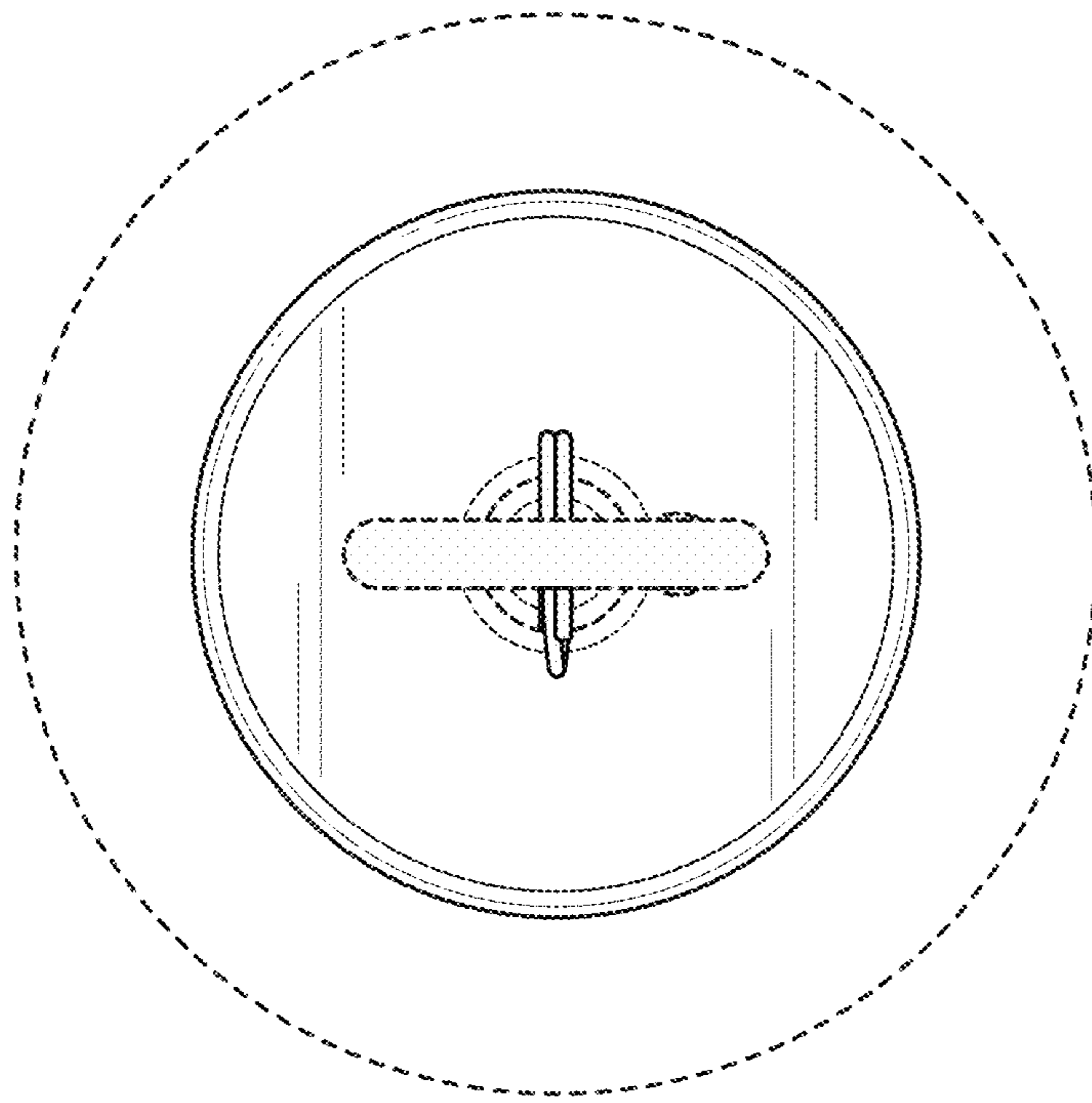


FIG. 7