



US00D859978S

(12) **United States Design Patent** (10) **Patent No.:** **US D859,978 S**
Barrett et al. (45) **Date of Patent:** **** Sep. 17, 2019**

(54) **CONTAINER**

4,609,114 A 9/1986 Roy
D286,844 S * 11/1986 Daenen D7/586
4,620,640 A 11/1986 Swartzbaugh
(Continued)

(71) Applicant: **S. C. JOHNSON & SON, INC.**,
Racine, WI (US)

(72) Inventors: **Elizabeth M. Barrett**, Newburgh, IN
(US); **David P. Mather**, South
Milwaukee, WI (US)

FOREIGN PATENT DOCUMENTS

AU 349185 S 6/2013
AU 349186 S 6/2013
(Continued)

(73) Assignee: **S. C. Johnson & Son, Inc.**, Racine, WI
(US)

OTHER PUBLICATIONS

“Ziploc,” URL: <https://ziploc.com/en/products/containers/round/containers-twist-loc-small>, Accessed/Published Date: Aug. 10, 2017, 2 pages.

(**) Term: **15 Years**

Primary Examiner — Derrick E Holland
Assistant Examiner — Janice Patyk

(21) Appl. No.: **29/622,138**

(22) Filed: **Oct. 13, 2017**

(51) **LOC (12) Cl.** **09-03**

(52) **U.S. Cl.**
USPC **D9/428**

(58) **Field of Classification Search**
USPC D7/400, 601, 608; D9/416, 417, 420,
D9/425-429, 430, 432, 761; 206/499,
206/501, 502, 821; 220/625, 656, 669,
220/670, 674; 229/123.1, 123.2, 125.33,
229/125.35, 400-407, 915, 939
CPC . B65D 1/26; B65D 1/40; B65D 5/243; B65D
81/3453; B65D 2581/34; B65D
2581/3404; B65D 2581/3456
See application file for complete search history.

(57) **CLAIM**

The ornamental design for a container, as shown and described.

DESCRIPTION

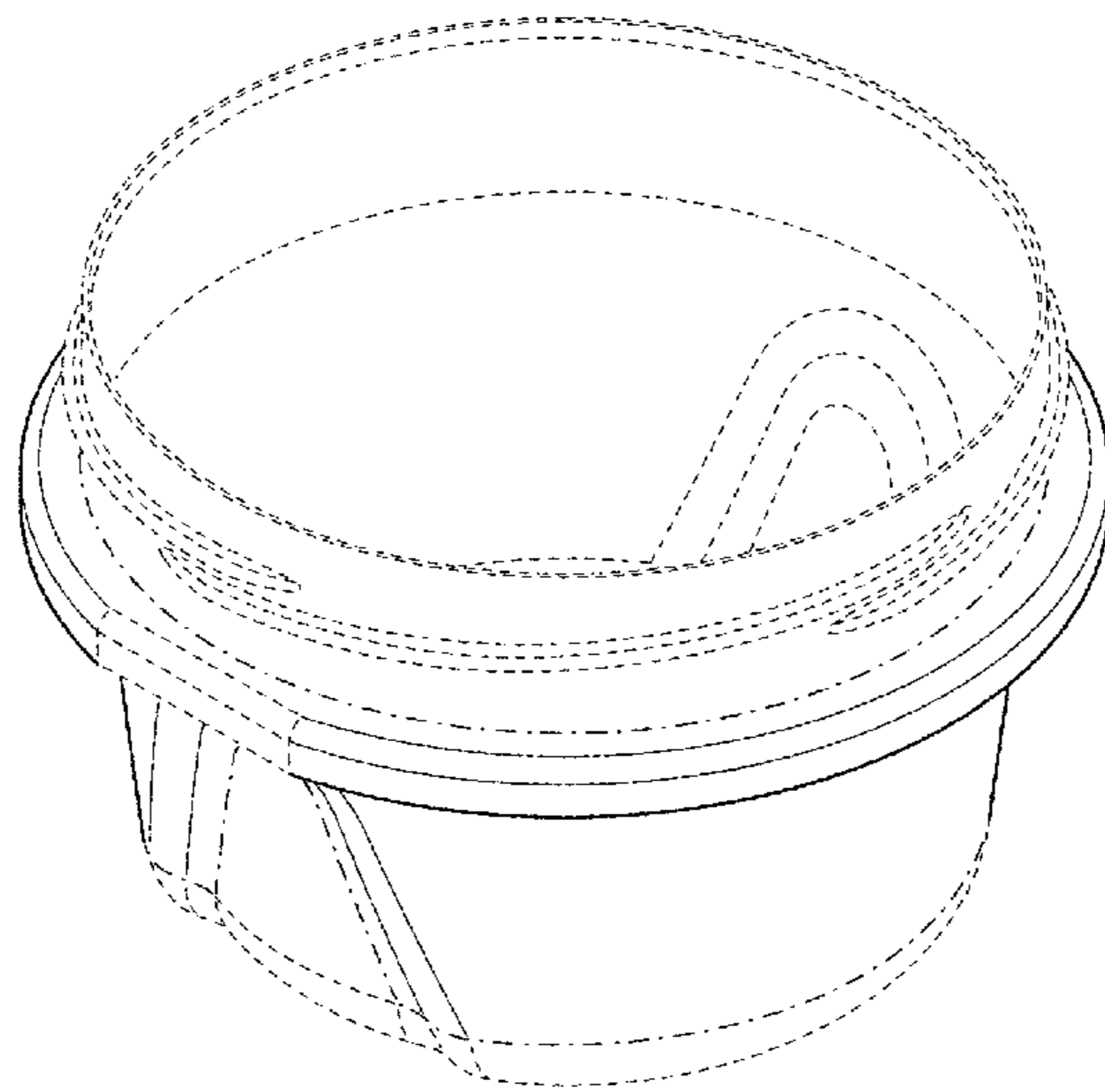
FIG. 1 is a top, front, and left side isometric view of a container, showing our new design;
FIG. 2 is a front elevational view of the container of FIG. 1;
FIG. 3 is a rear elevational view of the container of FIG. 1;
FIG. 4 is a right side elevational view of the container of FIG. 1;
FIG. 5 is a left side elevational view of the container of FIG. 1; and,
FIG. 6 is a top plan view of the container of FIG. 1.
The dot-dash broken lines immediately adjacent to the claimed areas in the views represent the boundaries of the design and form no part thereof. The broken lines in the figures illustrate the portions of the design that form no part of the claimed design. None of the broken lines form any part of the claimed design.

(56) **References Cited**

U.S. PATENT DOCUMENTS

1,577,020 A 3/1926 Hammer
1,776,813 A 9/1930 Luchs
3,529,744 A 9/1970 Johnson et al.
3,721,361 A 3/1973 Barry et al.
4,098,419 A 7/1978 Virog, Jr. et al.
4,106,660 A 8/1978 Boyle
4,399,926 A 8/1983 Eidels-Dubovoy
4,413,743 A 11/1983 Summers

1 Claim, 4 Drawing Sheets



(56)

References Cited

U.S. PATENT DOCUMENTS

4,756,435 A 7/1988 Schick et al.
 5,197,619 A 3/1993 Margaria
 5,542,532 A 8/1996 Mitchell
 5,628,417 A 5/1997 Van Halteren
 5,685,443 A 11/1997 Taber et al.
 5,954,215 A 9/1999 Alter
 D433,275 S 11/2000 Betras
 6,158,603 A 12/2000 Price et al.
 6,345,741 B1 2/2002 Murray et al.
 6,401,952 B1 6/2002 Ming
 6,557,714 B2 5/2003 Babcock et al.
 6,786,179 B2 9/2004 Ver Hage
 D499,934 S 12/2004 Smith et al.
 D499,935 S 12/2004 Smith et al.
 D506,359 S 6/2005 Zettle et al.
 D508,187 S 8/2005 Dais et al.
 D508,188 S 8/2005 Zettle et al.
 6,932,234 B2 8/2005 D'Amato
 D514,385 S 2/2006 Smith et al.
 D514,884 S 2/2006 Smith et al.
 7,040,509 B2 5/2006 McLelland et al.
 D528,863 S 9/2006 Hayes et al.
 7,156,264 B2 1/2007 Ver Hage
 7,175,051 B2 2/2007 McLelland et al.
 D545,618 S 7/2007 Zettle et al.
 7,347,343 B2 3/2008 McLelland et al.
 D566,483 S * 4/2008 Tucker D7/542
 D584,925 S * 1/2009 Buchman D7/602
 7,624,701 B2 12/2009 Ver Hage
 D607,282 S * 1/2010 Furlong D7/602
 D611,343 S 3/2010 Miller
 D620,791 S 8/2010 Grajcar et al.
 D627,596 S 11/2010 Hillebrenner et al.
 D632,171 S 2/2011 Grajcar et al.
 D632,527 S * 2/2011 Olivari D7/560
 7,886,899 B2 2/2011 Frutin
 7,891,509 B2 2/2011 Konefal
 8,091,724 B2 1/2012 King
 D670,166 S 11/2012 Lavender
 8,317,053 B2 11/2012 Cronin et al.
 D672,617 S * 12/2012 Stamper D7/602
 8,448,800 B2 5/2013 Konrad
 D686,043 S 7/2013 Del Solar et al.
 D686,044 S 7/2013 Del Solar et al.
 D697,366 S 1/2014 Kristinik

D712,740 S 9/2014 Antal et al.
 D723,340 S * 3/2015 Maxwell D7/629
 D733,497 S 7/2015 Sorensen et al.
 D739,233 S 9/2015 Antal, Sr. et al.
 D739,234 S 9/2015 Antal, Sr. et al.
 9,156,719 B2 10/2015 Perrone et al.
 9,238,341 B2 1/2016 Tsuchiya
 D753,482 S 4/2016 Serrano et al.
 9,440,761 B2 9/2016 Villaret De Chauvigny et al.
 D774,392 S 12/2016 Broad
 D779,332 S 2/2017 Zuzelski et al.
 D779,333 S 2/2017 Zuzelski et al.
 D789,797 S 6/2017 Haddad
 D789,798 S 6/2017 Haddad
 9,745,114 B2 8/2017 Dai
 2005/0224506 A1 10/2005 Withers
 2007/0051733 A1 3/2007 Franzen
 2009/0095754 A1 4/2009 Liu
 2014/0326628 A1 11/2014 Fox et al.
 2015/0272359 A1 10/2015 Oakes
 2016/0096309 A1 4/2016 Tsuchiya
 2017/0050774 A1 2/2017 Giraud et al.
 2017/0174398 A1 6/2017 Cox

FOREIGN PATENT DOCUMENTS

AU 349187 S 6/2013
 CA 113934 S 11/2006
 CA 151100 S 7/2014
 CN 301391623 S 11/2010
 CN 301437000 S 1/2011
 EM 001103709-0004 3/2009
 EM 001673401-0001 2/2010
 EM 001673401-0002 2/2010
 EM 001734120-0001 7/2010
 EM 002254748-0001 6/2013
 EM 002254748-0002 6/2013
 EM 002254748-0003 6/2013
 EM 003407022-0003 10/2016
 EM 003932516-0004 5/2017
 EM 004068070-0002 6/2017
 WO D040115-001 5/1997
 WO 2015121262 A1 8/2015
 WO 2016016207 A1 2/2016
 WO 2016038568 A1 3/2016
 WO 2017031139 A1 2/2017

* cited by examiner

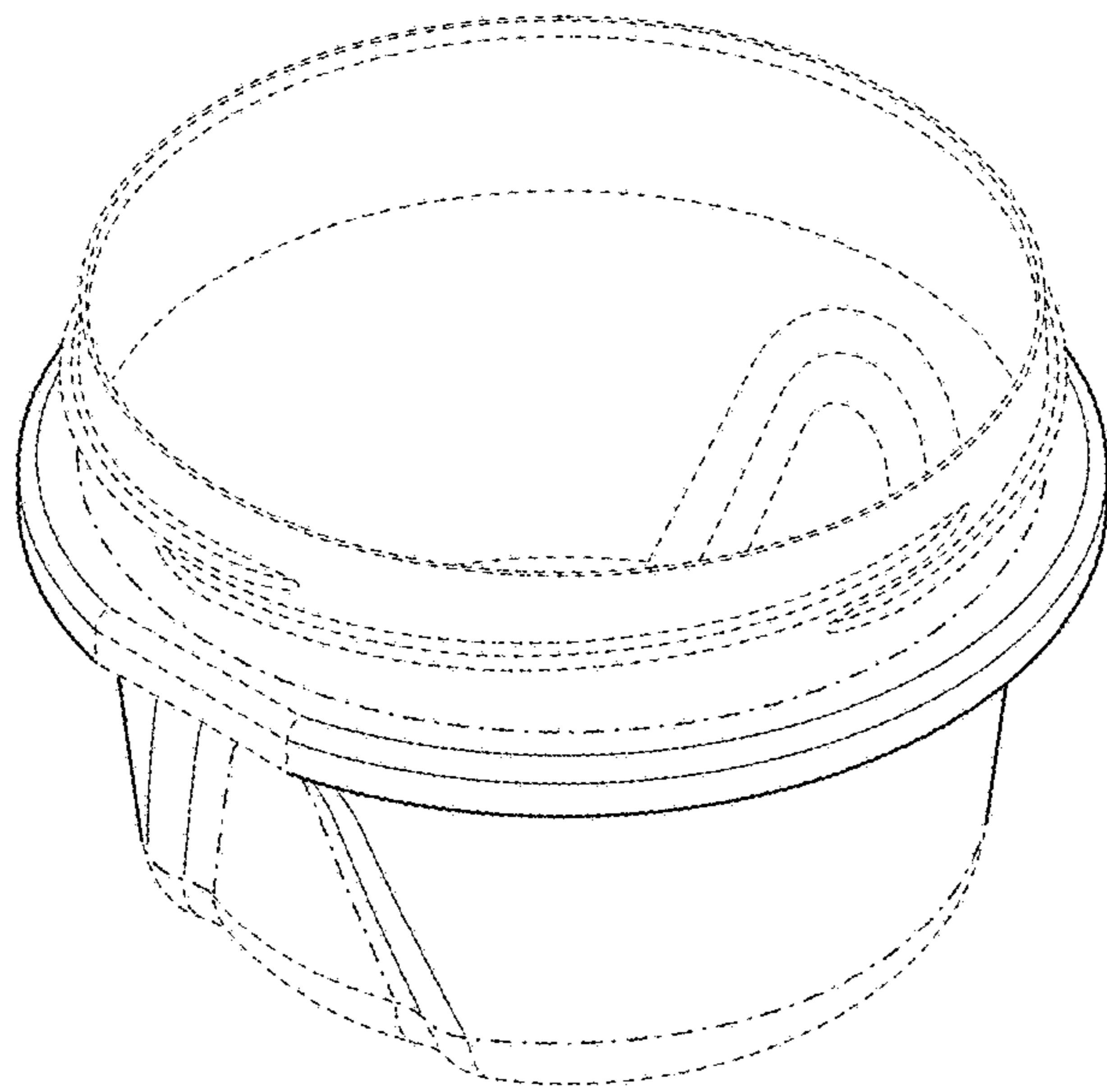


FIG. 1

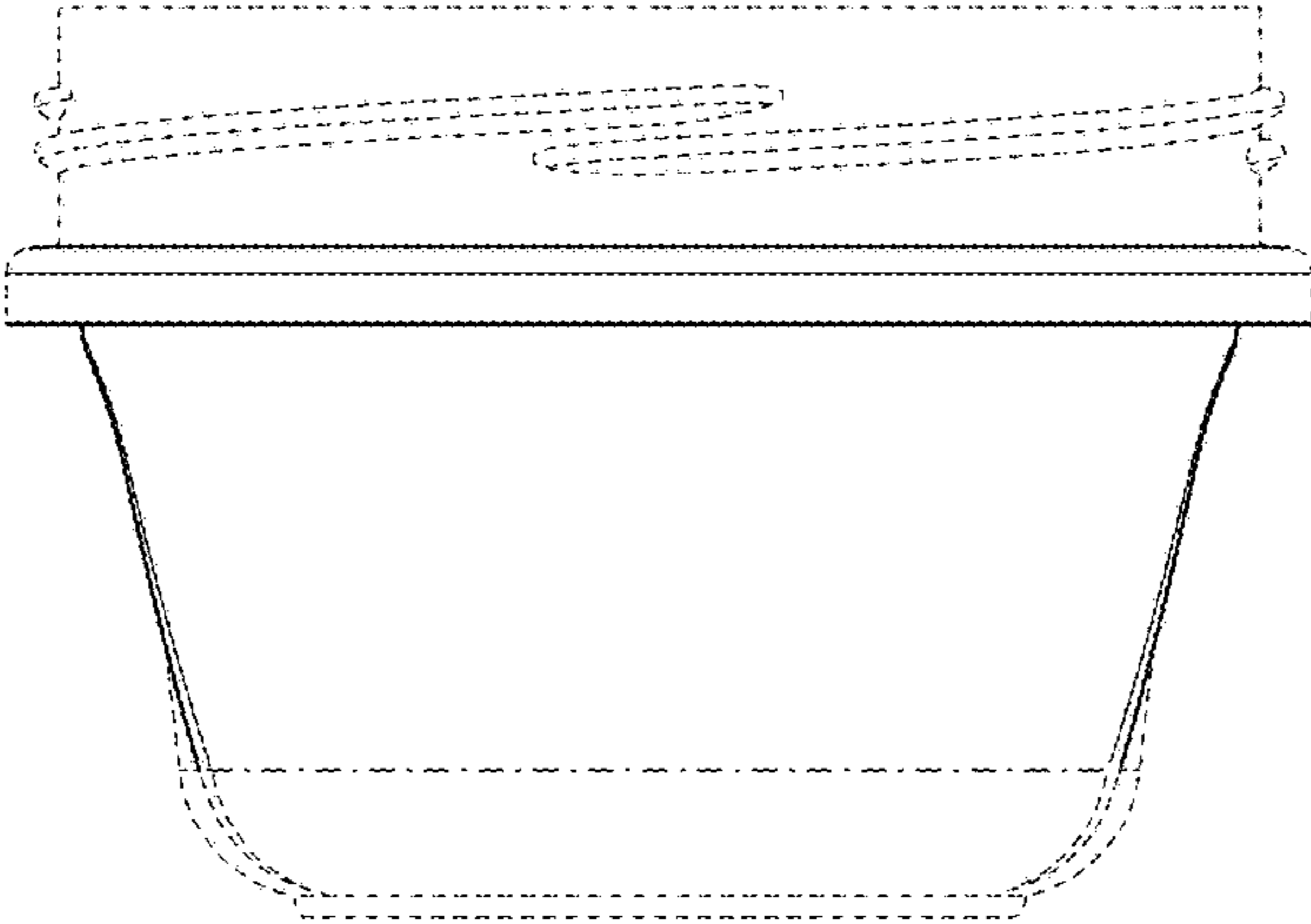


FIG. 2

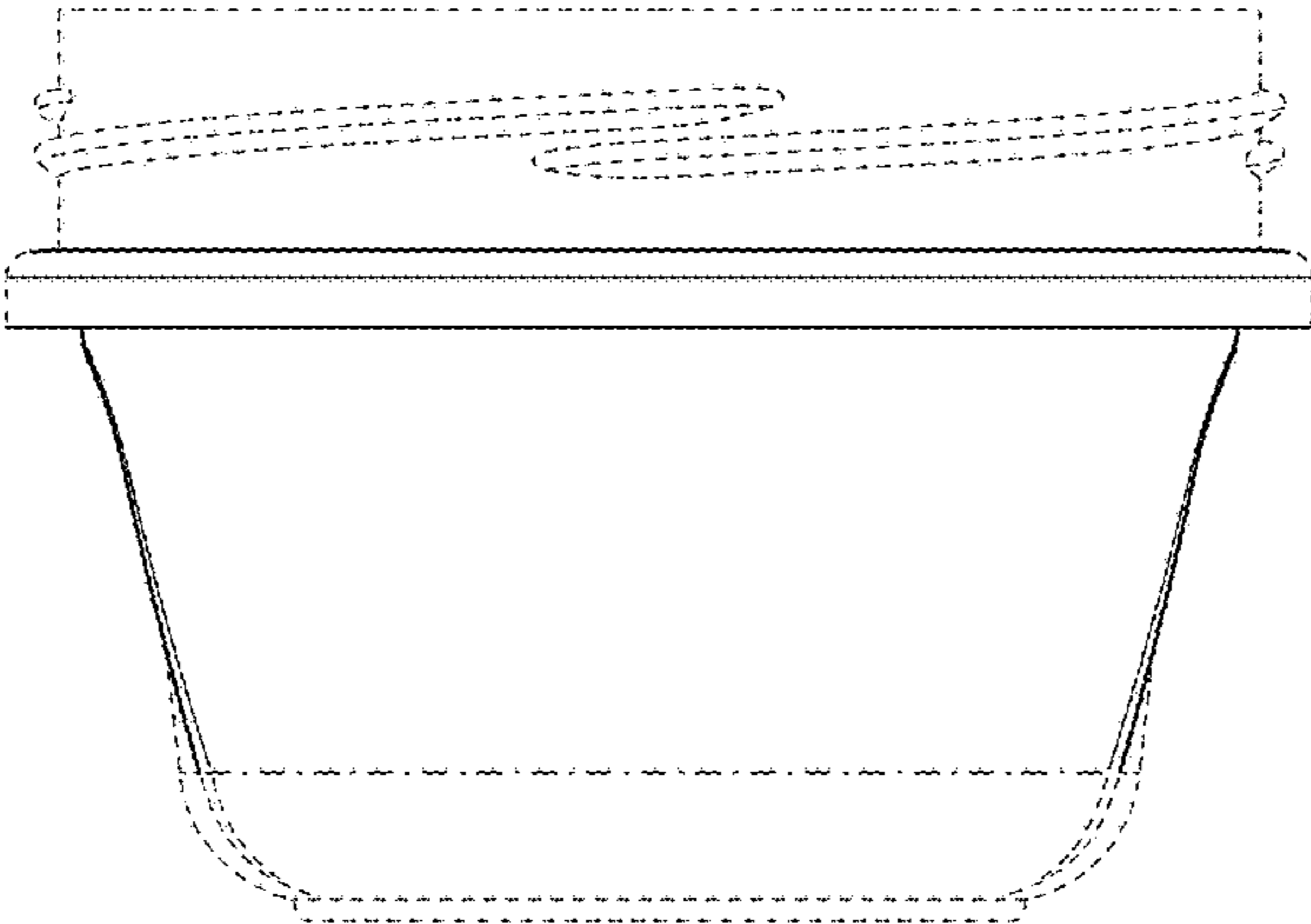


FIG. 3

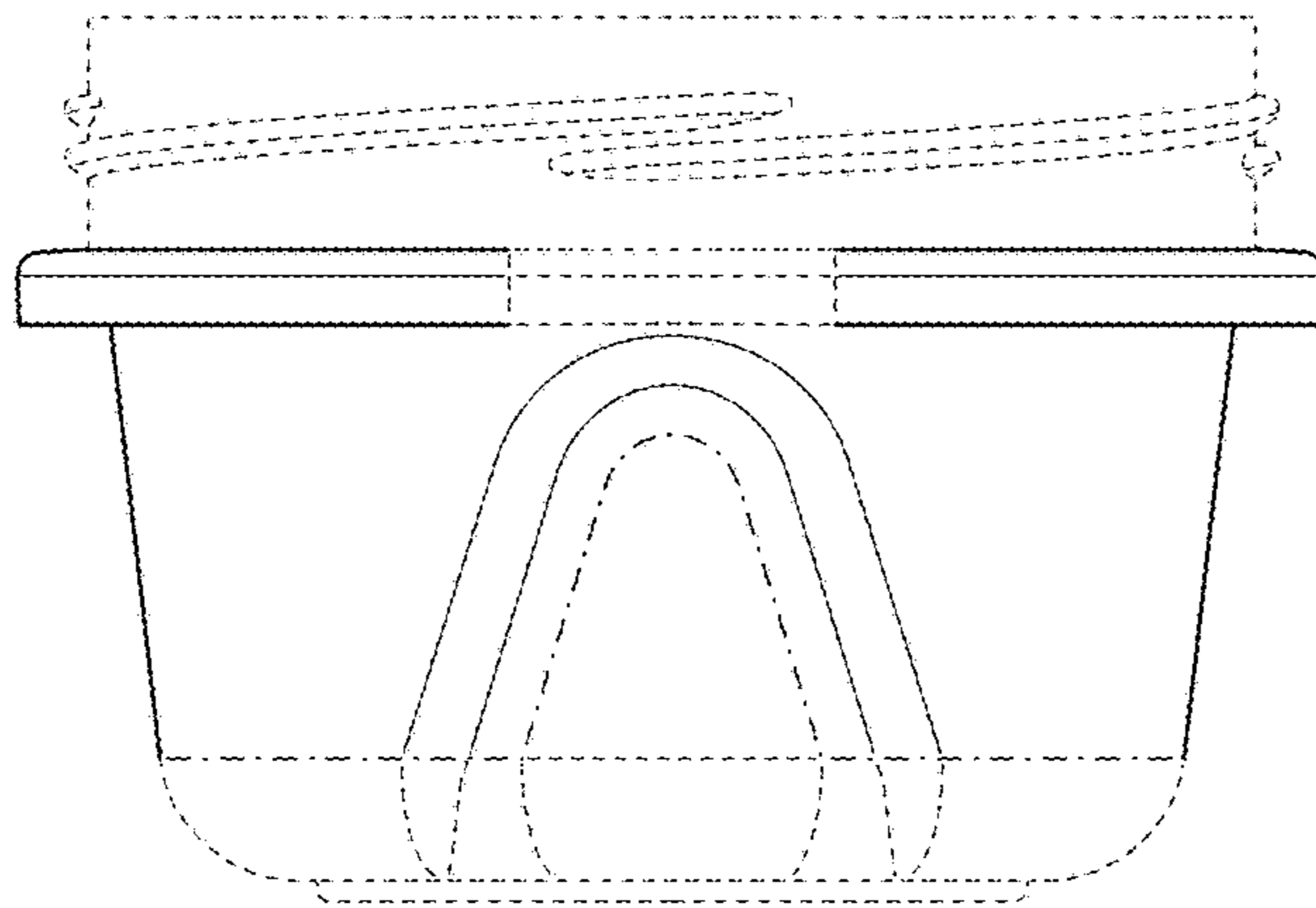


FIG. 4

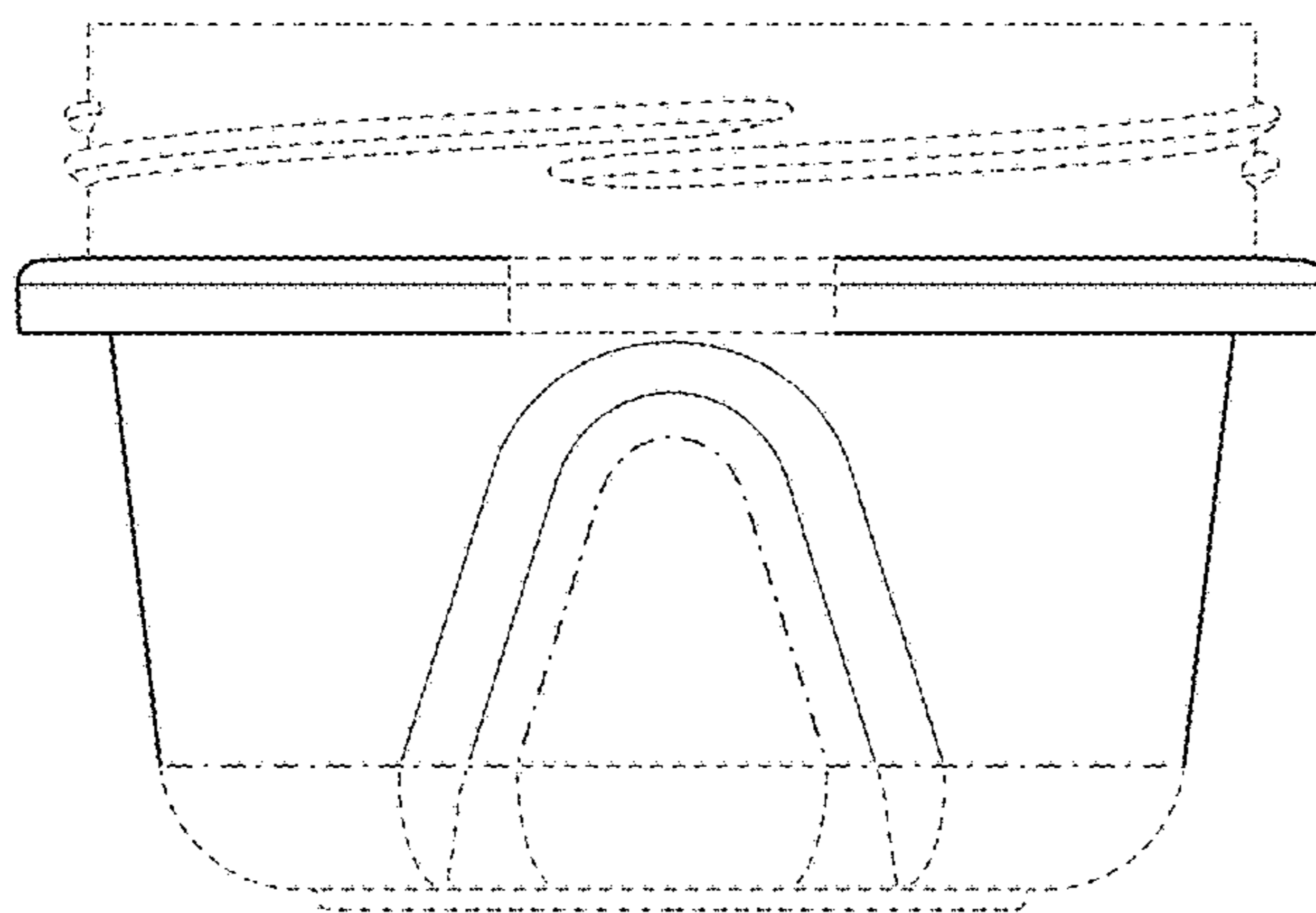


FIG. 5

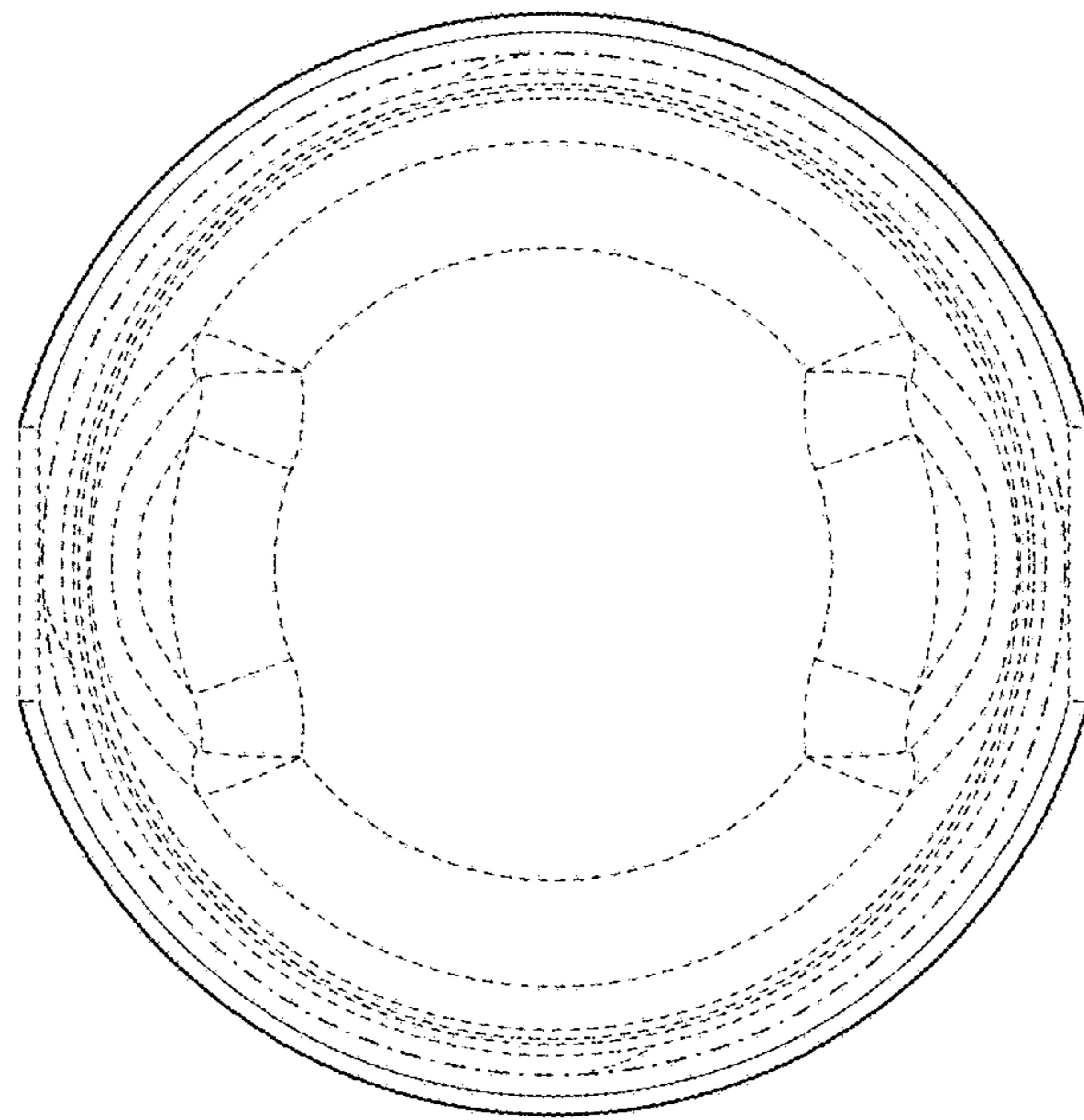


FIG. 6