



US00D859977S

(12) **United States Design Patent** (10) **Patent No.:** **US D859,977 S**
Pou (45) **Date of Patent:** **** Sep. 17, 2019**

(54) **DISPOSABLE CONTAINER**
 (71) Applicant: **Christina Pou**, Van Nuys, CA (US)
 (72) Inventor: **Christina Pou**, Van Nuys, CA (US)
 (**) Term: **15 Years**
 (21) Appl. No.: **29/650,038**
 (22) Filed: **Jun. 4, 2018**

(51) **LOC (12) Cl.** **09-03**
 (52) **U.S. Cl.**
 USPC **D9/425**
 (58) **Field of Classification Search**
 USPC D9/414, 415, 418, 424, 425, 426, 430,
 D9/730, 733, 734; D3/201, 203.1, 273,
 D3/294, 298, 299, 300, 304, 314;
 D6/515, 518
 CPC A47K 10/427; A47K 10/424; A47K 10/42;
 A47K 10/423; B65D 83/0805; B65D
 83/0841; B65D 85/671; B65D 43/22;
 B65D 85/70
 See application file for complete search history.

(56) **References Cited**
 U.S. PATENT DOCUMENTS
 D251,657 S * 4/1979 Jewell D9/426
 D378,563 S * 3/1997 Ferris D7/538
 D431,464 S * 10/2000 Collins D9/424

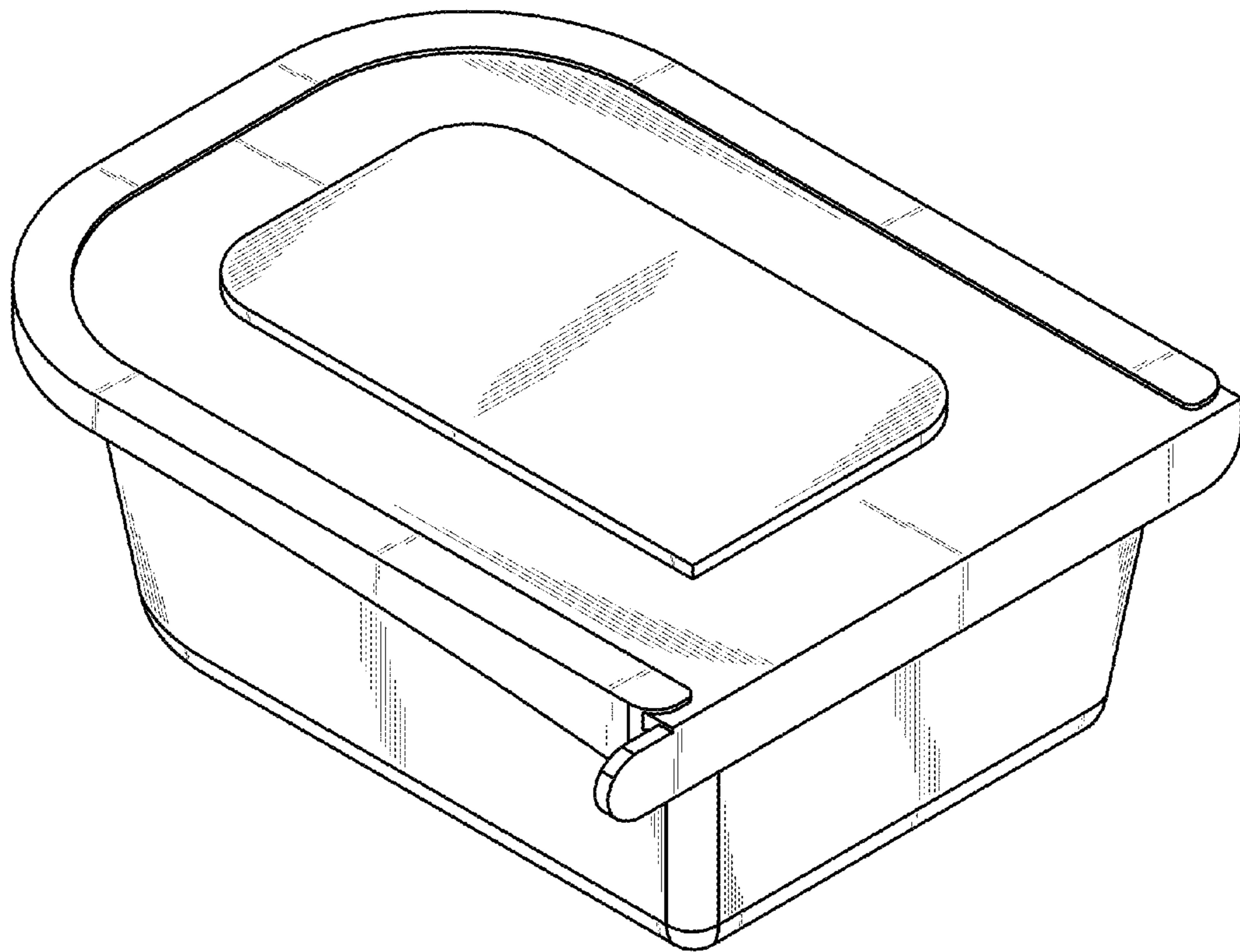
D502,095 S * 2/2005 Tucker D9/423
 D531,894 S * 11/2006 Ramirez D9/423
 D611,807 S * 3/2010 Miga, Jr. D9/424
 D656,367 S * 3/2012 Segal D7/629
 8,381,909 B2 * 2/2013 Hernandez B65D 21/0233
 206/207
 D691,037 S * 10/2013 Chen D9/423
 D803,681 S * 11/2017 Yang D9/432
 D821,869 S * 7/2018 Cheng D9/424
 D845,755 S * 4/2019 Delgado Carmona D9/425
 2006/0124654 A1 * 6/2006 Cai B65D 43/0249
 220/780

* cited by examiner
Primary Examiner — Lauren R Calve
 (74) *Attorney, Agent, or Firm* — Jen-Feng Lee, Esq.

(57) **CLAIM**
 I claim the ornamental design for a disposable container, as shown and described.

DESCRIPTION
 FIG. 1 is a front perspective view of a disposable container showing my new design,
 FIG. 2 is a front view thereof,
 FIG. 3 is a rear view thereof,
 FIG. 4 is a left side view thereof,
 FIG. 5 is a right side view thereof,
 FIG. 6 is a top view thereof; and,
 FIG. 7 is a bottom view thereof.

1 Claim, 7 Drawing Sheets



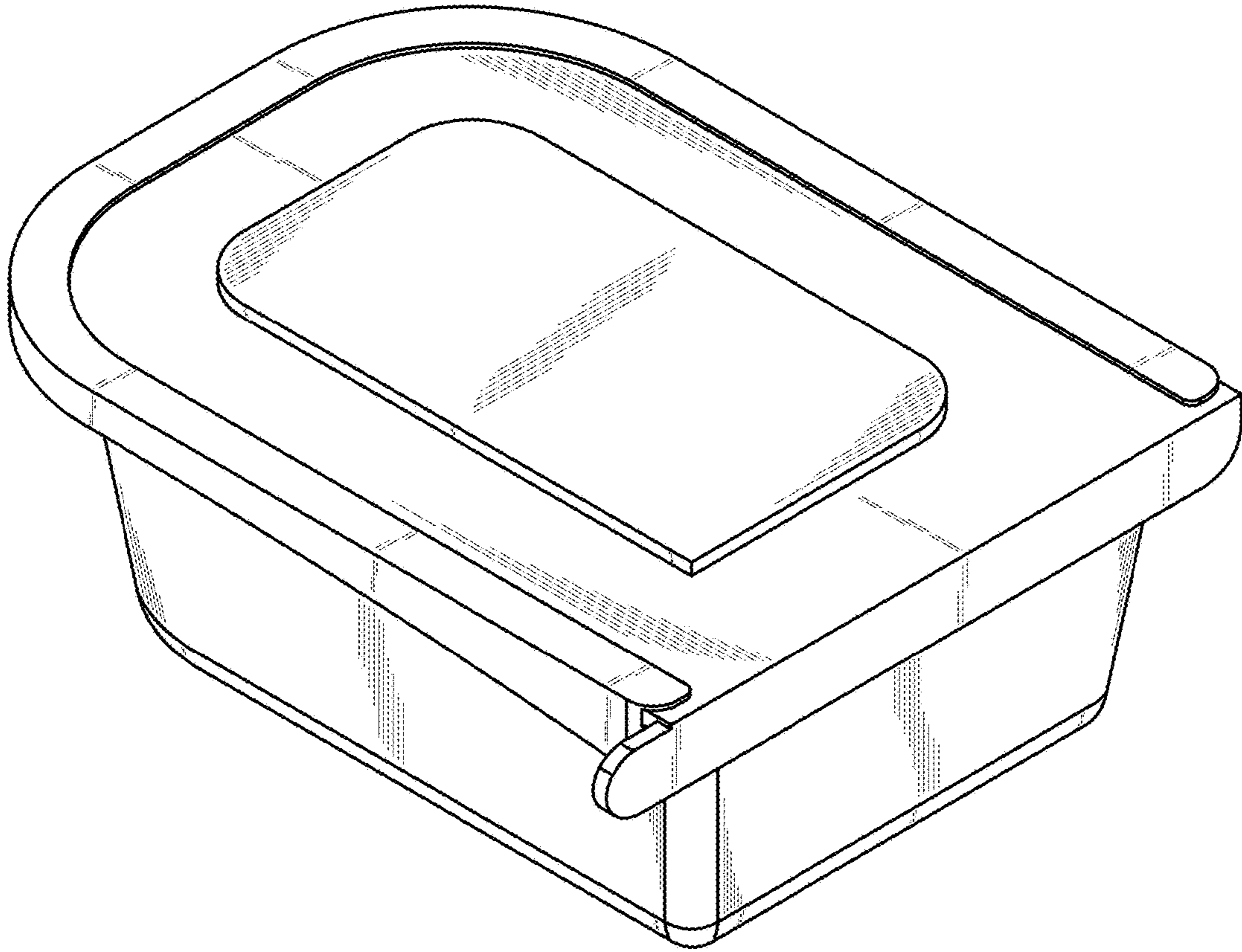


FIG. 1

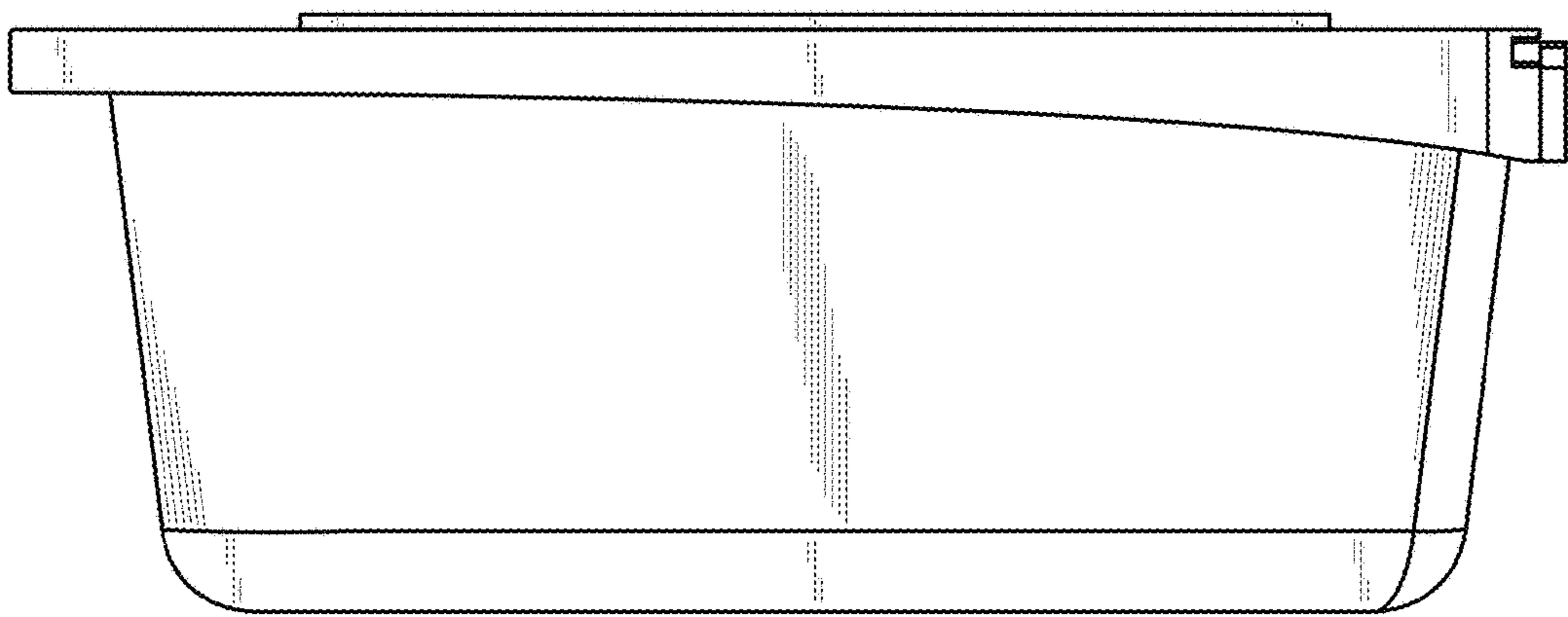


FIG. 2

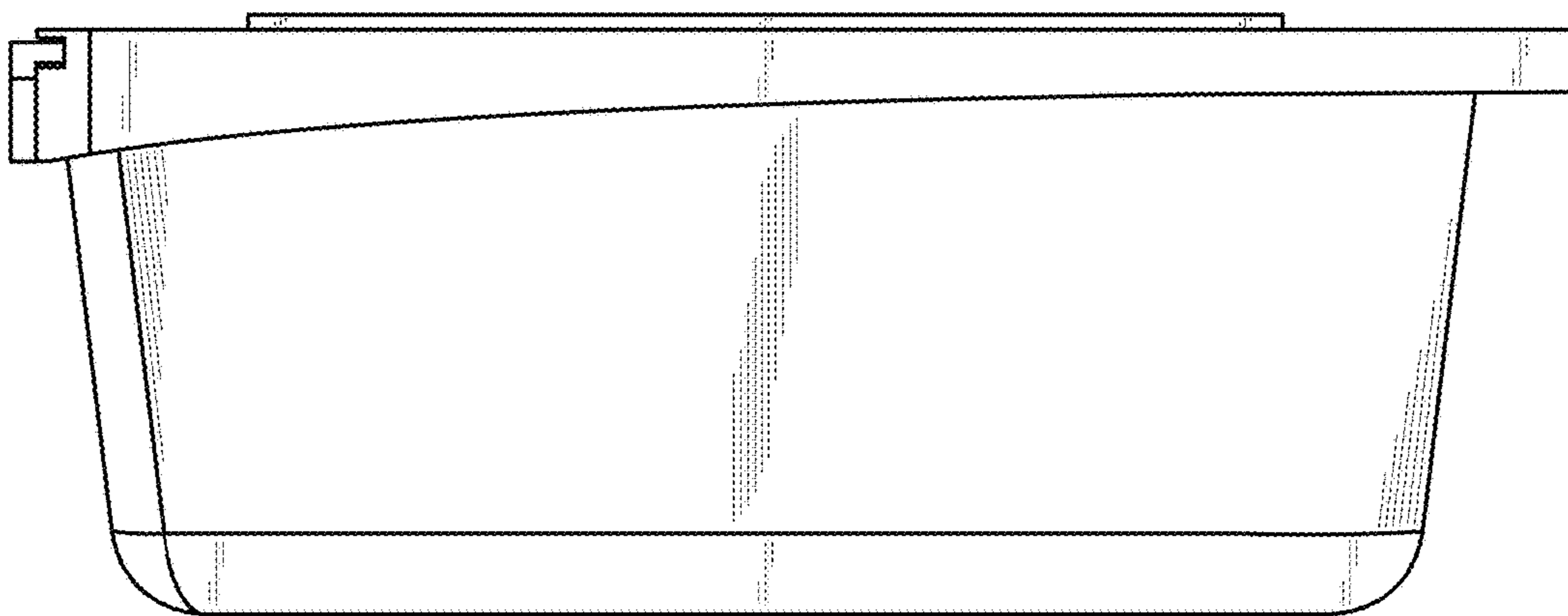


FIG. 3

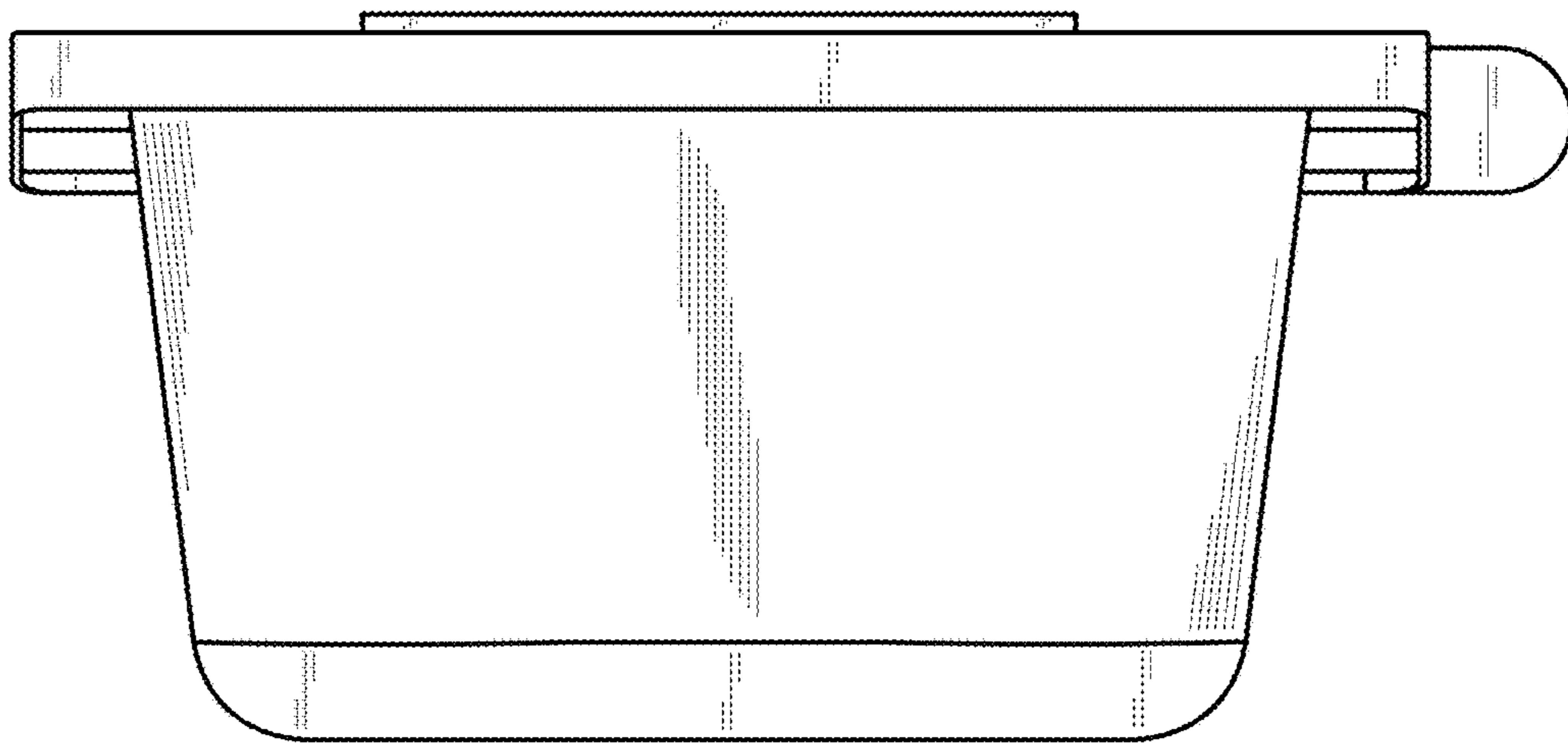


FIG. 4

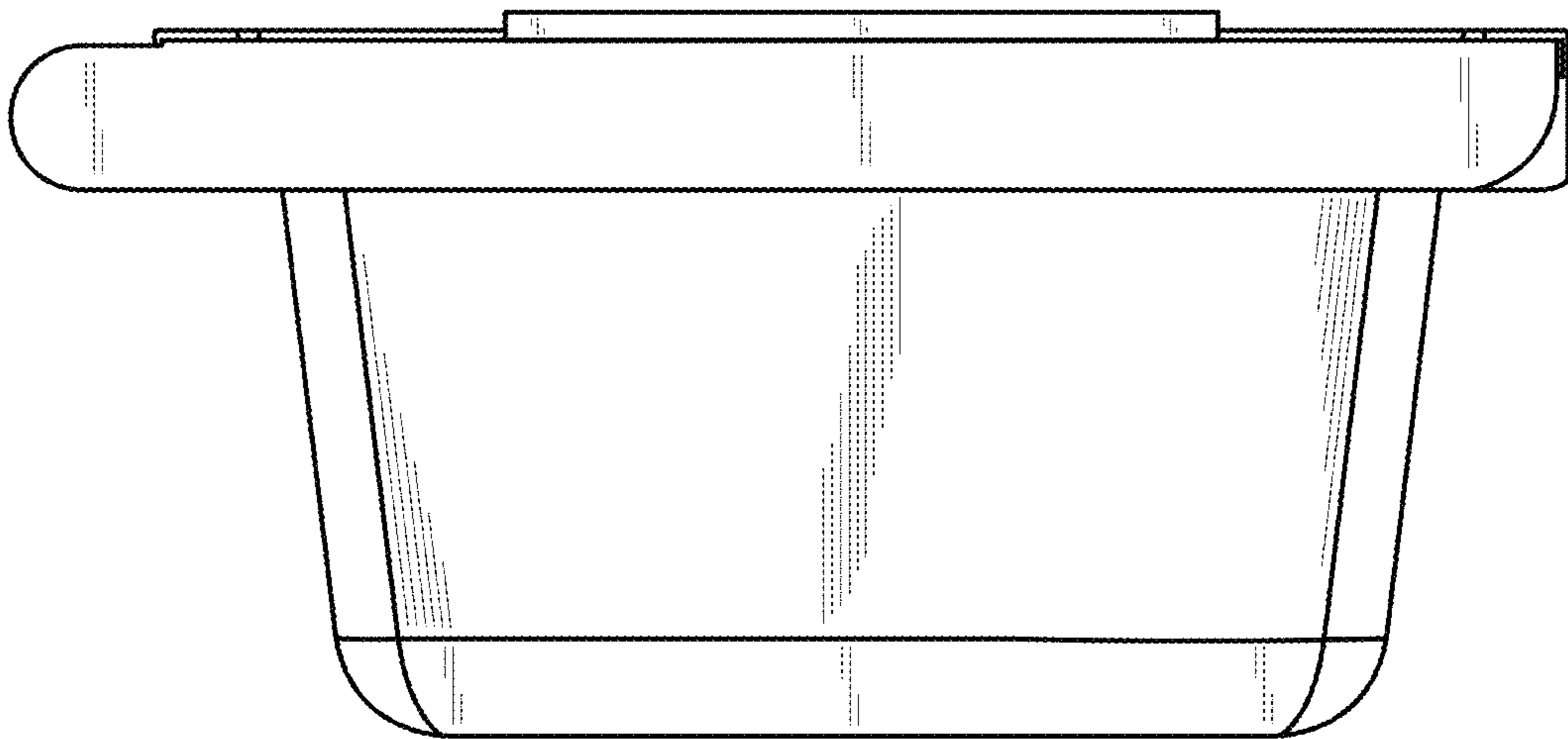


FIG. 5

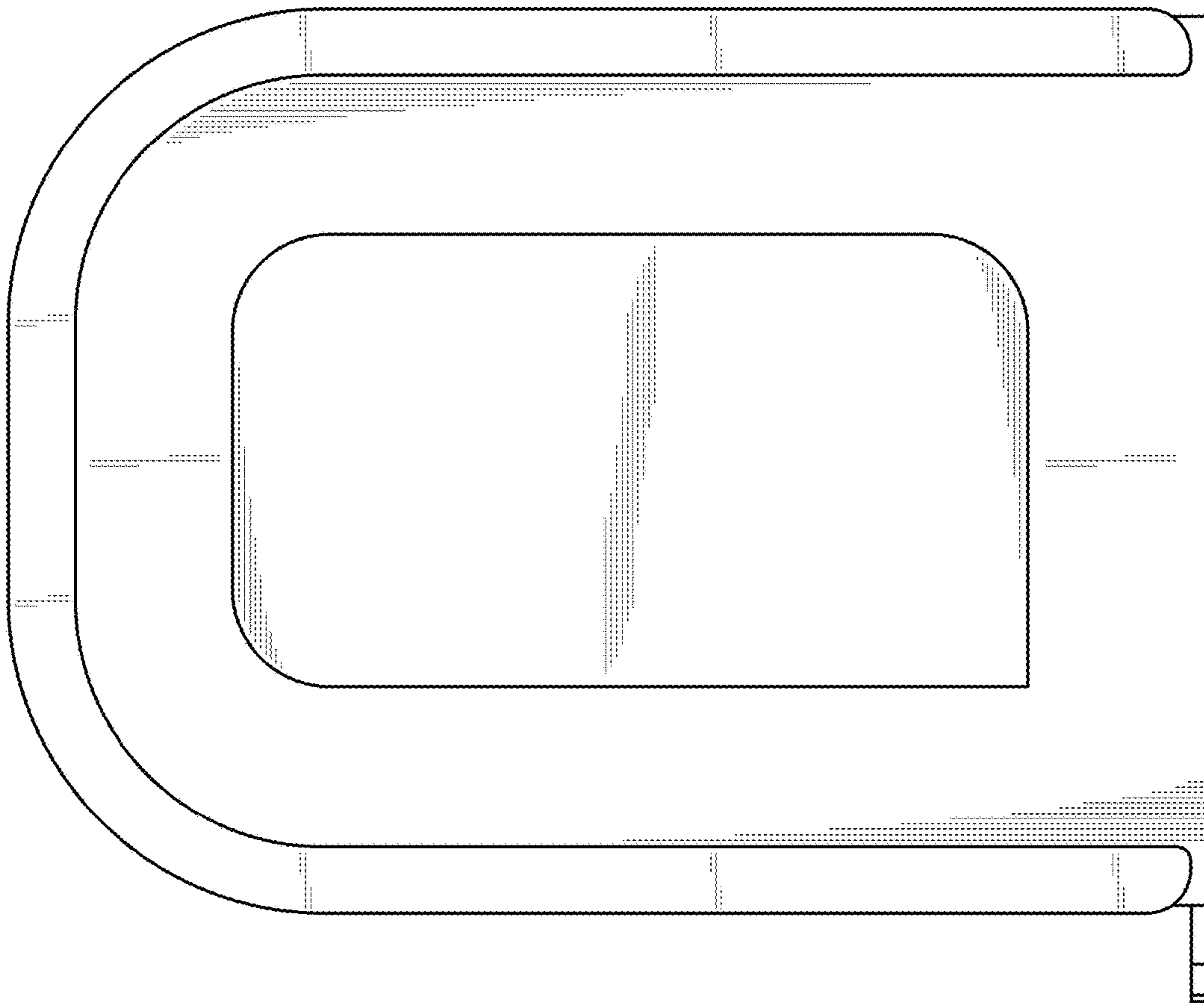


FIG. 6

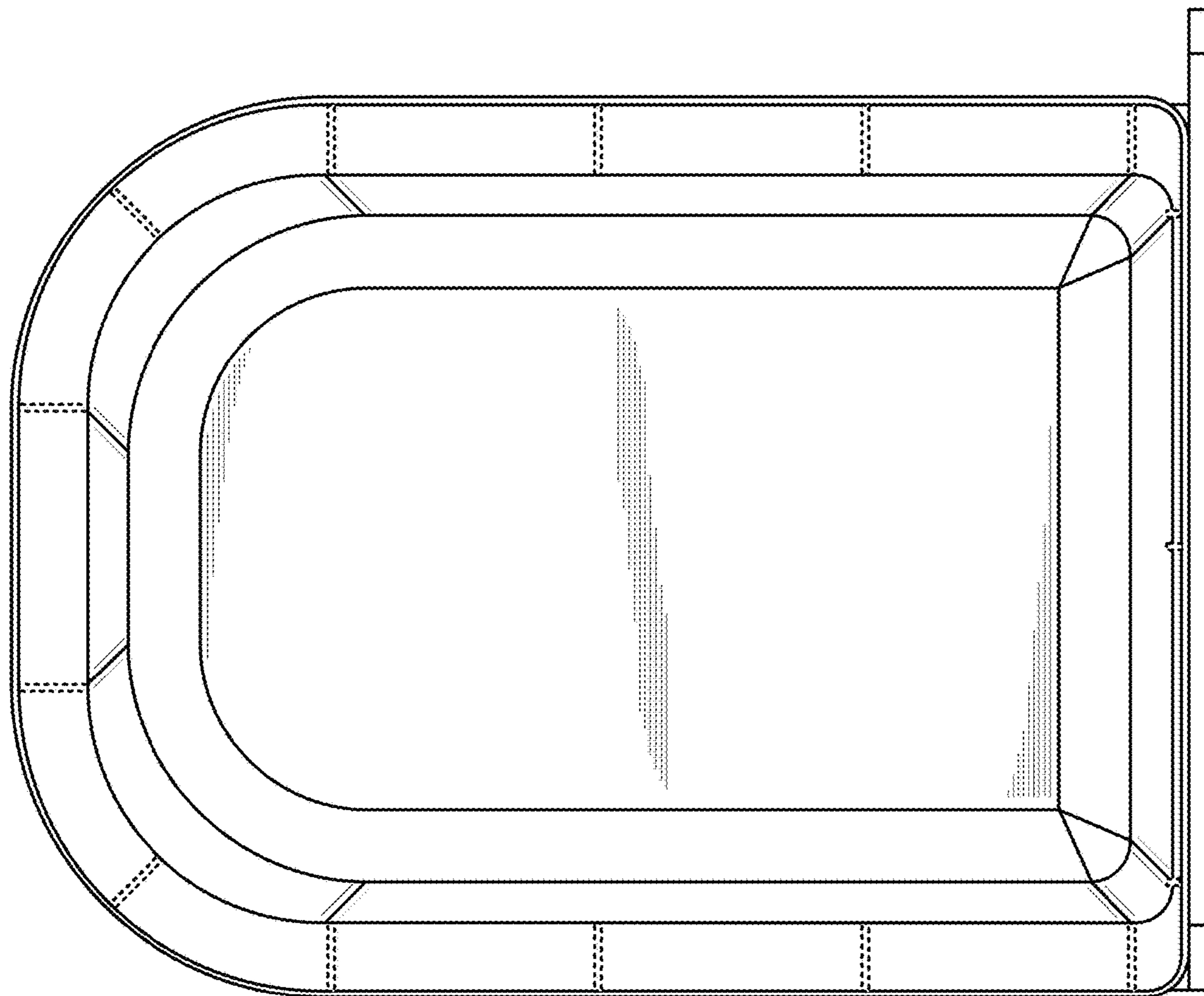


FIG. 7