



US00D859976S

(12) **United States Design Patent** (10) **Patent No.:** **US D859,976 S**
Gales (45) **Date of Patent:** **** Sep. 17, 2019**

(54) **RESEALABLE POWDERED SOAP BOX**
(71) Applicant: **Bernitha Gales**, Compton, CA (US)
(72) Inventor: **Bernitha Gales**, Compton, CA (US)
(**) Term: **15 Years**
(21) Appl. No.: **29/642,125**
(22) Filed: **Mar. 27, 2018**
(51) **LOC (12) Cl.** **09-03**
(52) **U.S. Cl.**
USPC **D9/420**
(58) **Field of Classification Search**
USPC D9/414, 415, 416, 418, 420, 423, 425,
D9/432, 433, 438, 751, 759; D7/590,
D7/601, 609, 610, 612; D27/186;
206/543, 549, 66
CPC . B65D 1/00; B65D 1/22; B65D 1/225; B65D
5/00; B65D 5/16; B65D 5/66; B65D
5/665; B65D 5/4204; B65D 5/6605;
B65D 2571/00543; B65D 2571/00549;
B65D 2571/0066; B65D 43/162; B65D
81/02; B65D 81/3813; B65D 81/3848;
A47F 7/03; A47F 7/145
See application file for complete search history.

D311,686 S * 10/1990 Tozawa D9/423
D345,101 S * 3/1994 Abrams D9/423
D409,329 S * 5/1999 Bucher D27/186
D606,394 S * 12/2009 Stewart D9/423
D764,272 S * 8/2016 Hoglund D9/420
2016/0137339 A1* 5/2016 Molina-Muntanola
B65D 5/563
229/145
2018/0178971 A1* 6/2018 Moon B65D 85/67
2018/0220761 A1* 8/2018 Jameson A45C 11/20

* cited by examiner

Primary Examiner — Wan Laymon
Assistant Examiner — Clint A Samuel
(74) *Attorney, Agent, or Firm* — Averill & Green;
Kenneth L. Green

(57) **CLAIM**

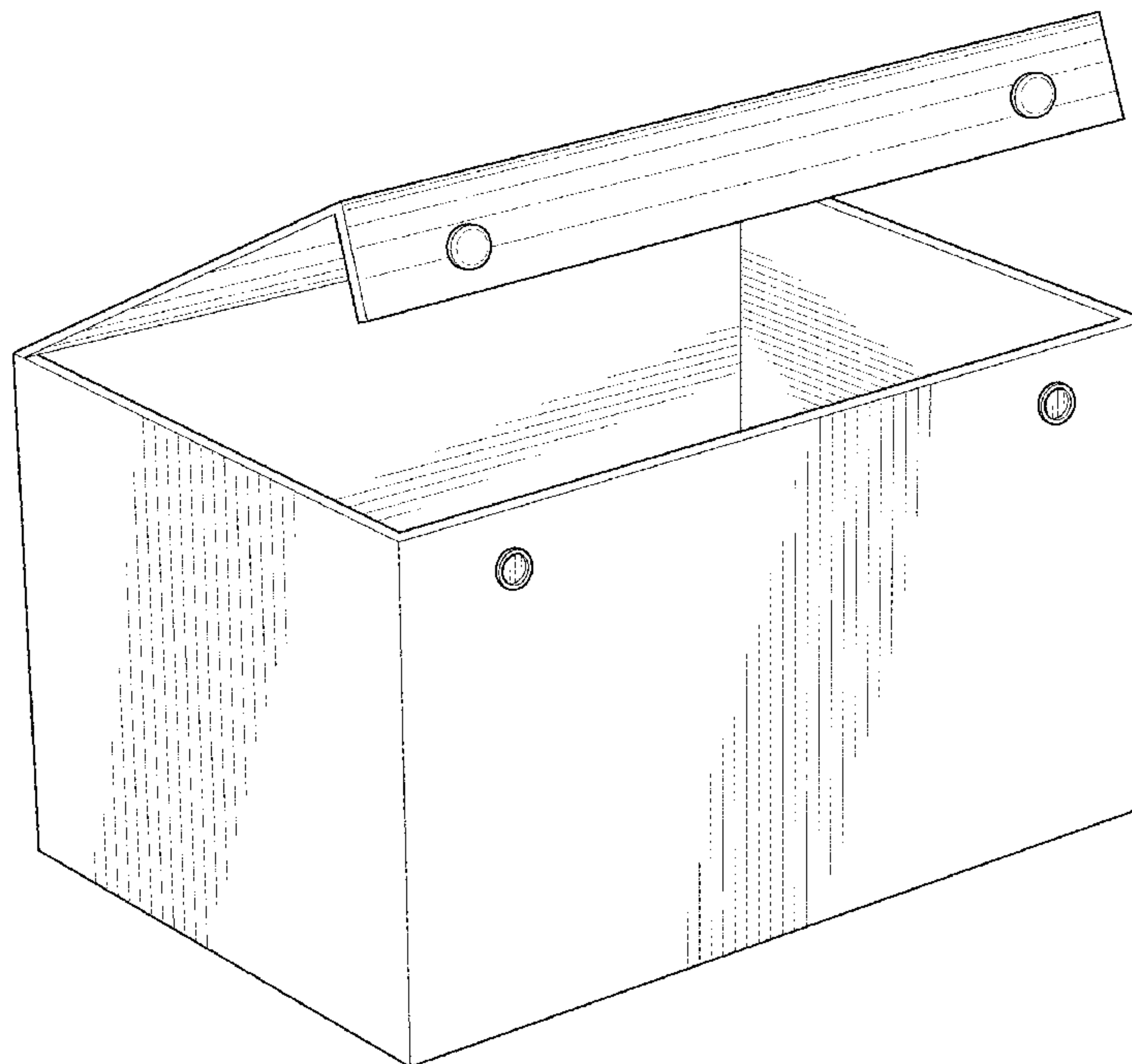
The ornamental design for a resealable powdered soap box,
as shown and described.

DESCRIPTION

FIG. 1 is a perspective view of the resealable powdered soap
box showing my new design;
FIG. 2 is a front elevation view thereof;
FIG. 3 is a rear elevation view thereof;
FIG. 4 is a right elevation view thereof;
FIG. 5 is a left elevation view thereof;
FIG. 6 is a top plan view thereof; and,
FIG. 7 is a bottom plan view thereof.

1 Claim, 6 Drawing Sheets

(56) **References Cited**
U.S. PATENT DOCUMENTS
1,783,453 A * 12/1930 Reisert B65D 5/4204
206/223
D278,412 S * 4/1985 Yeung D9/420



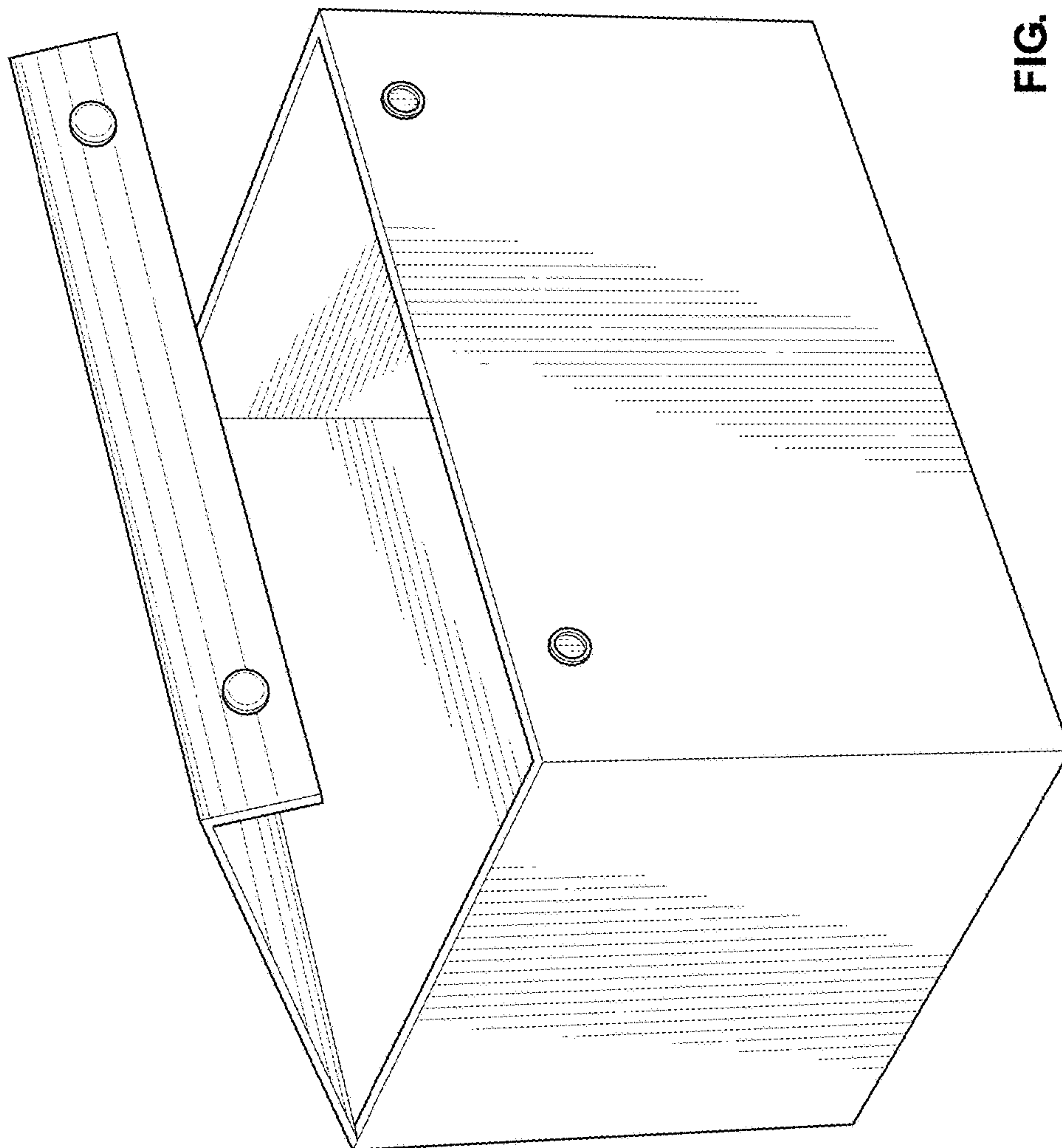


FIG. 1

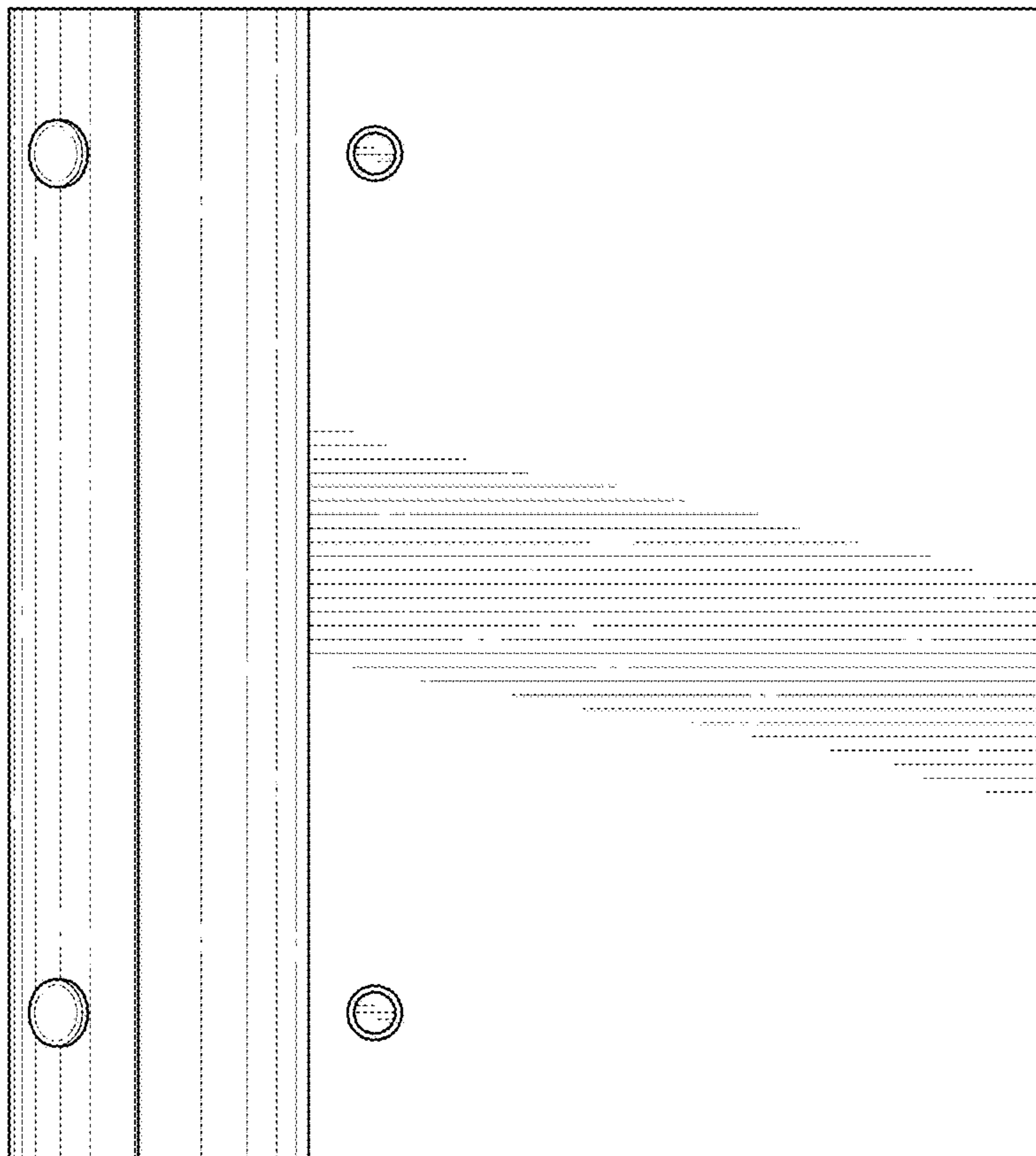


FIG. 2

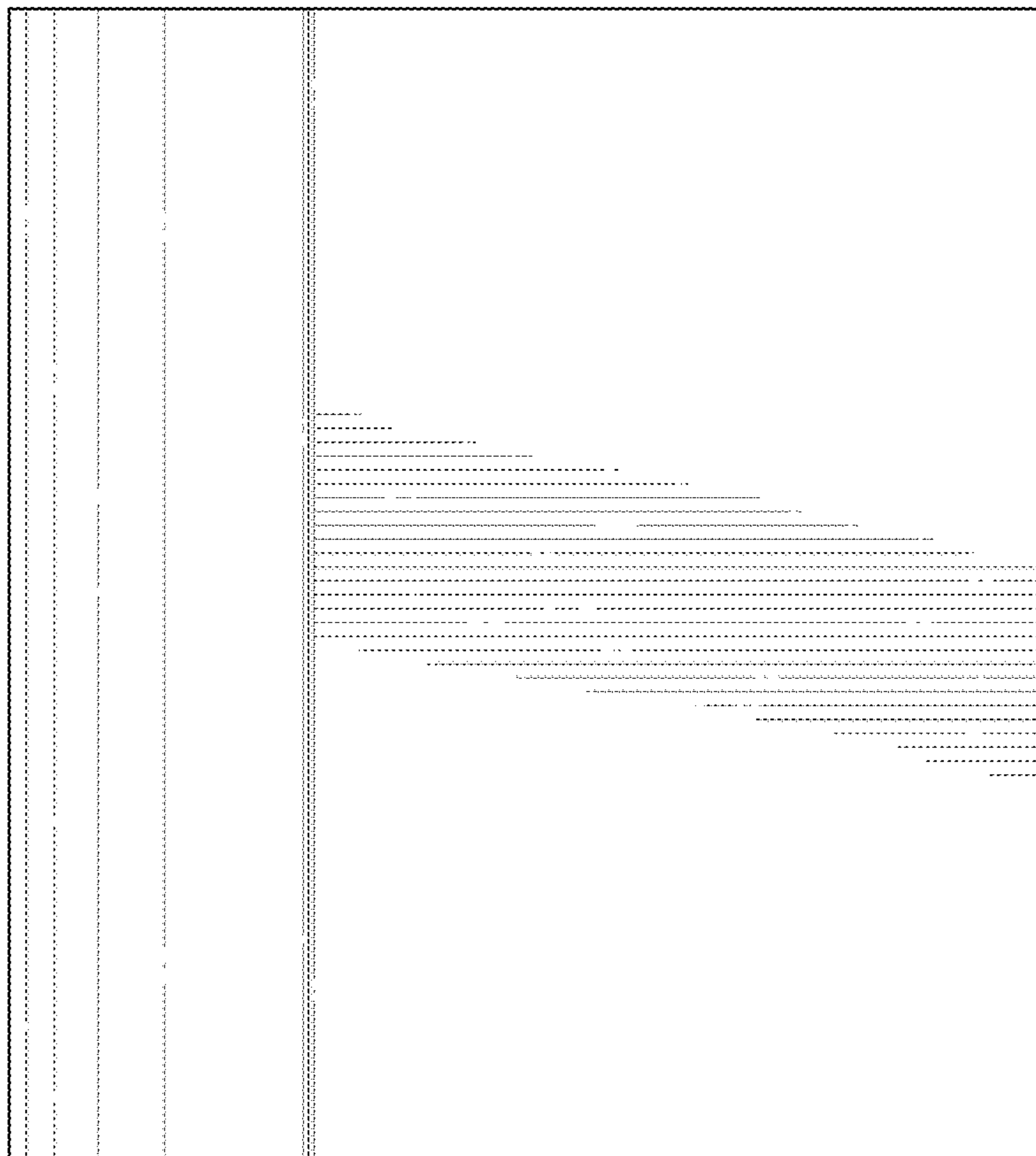


FIG. 3

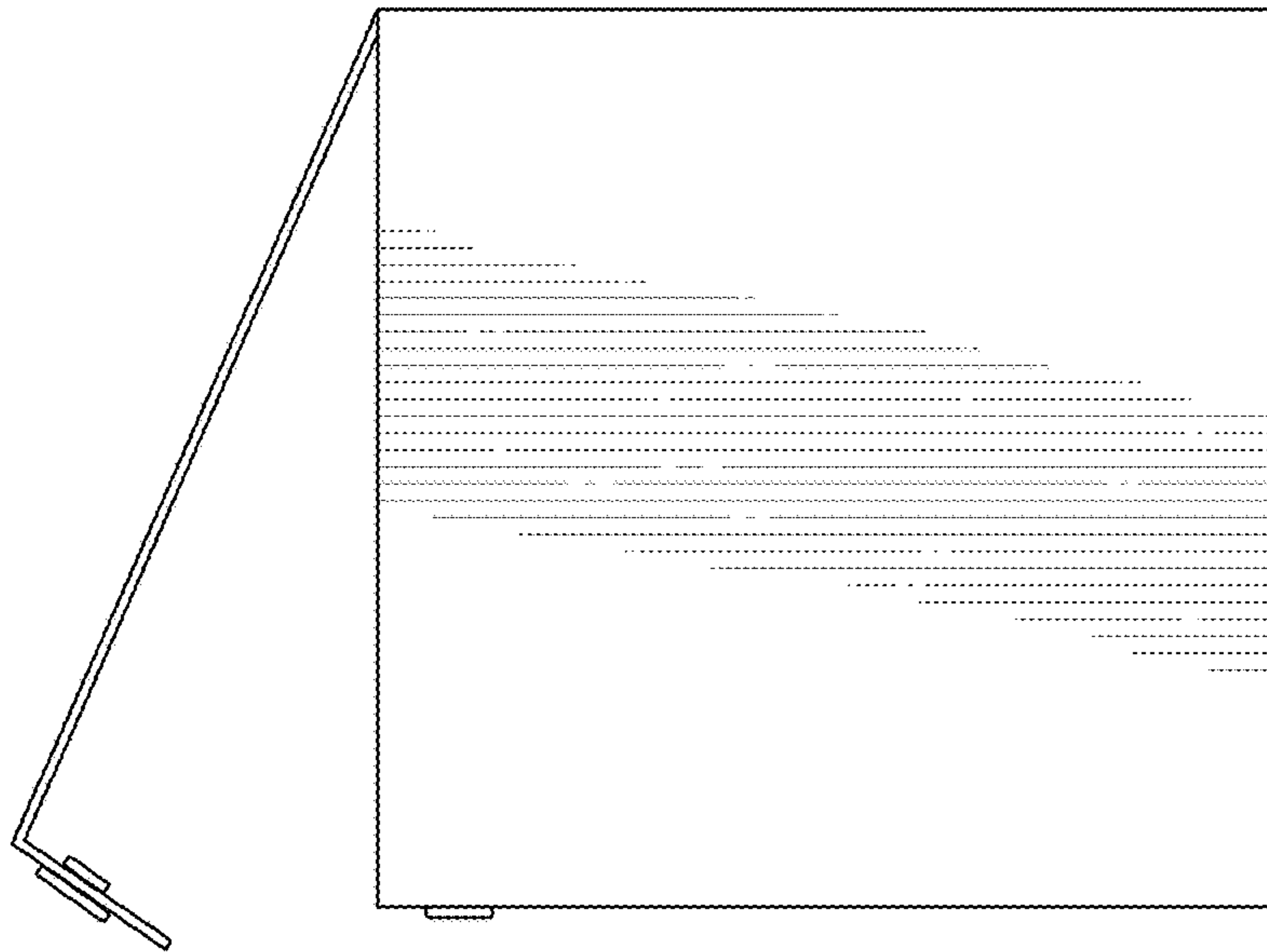


FIG. 5

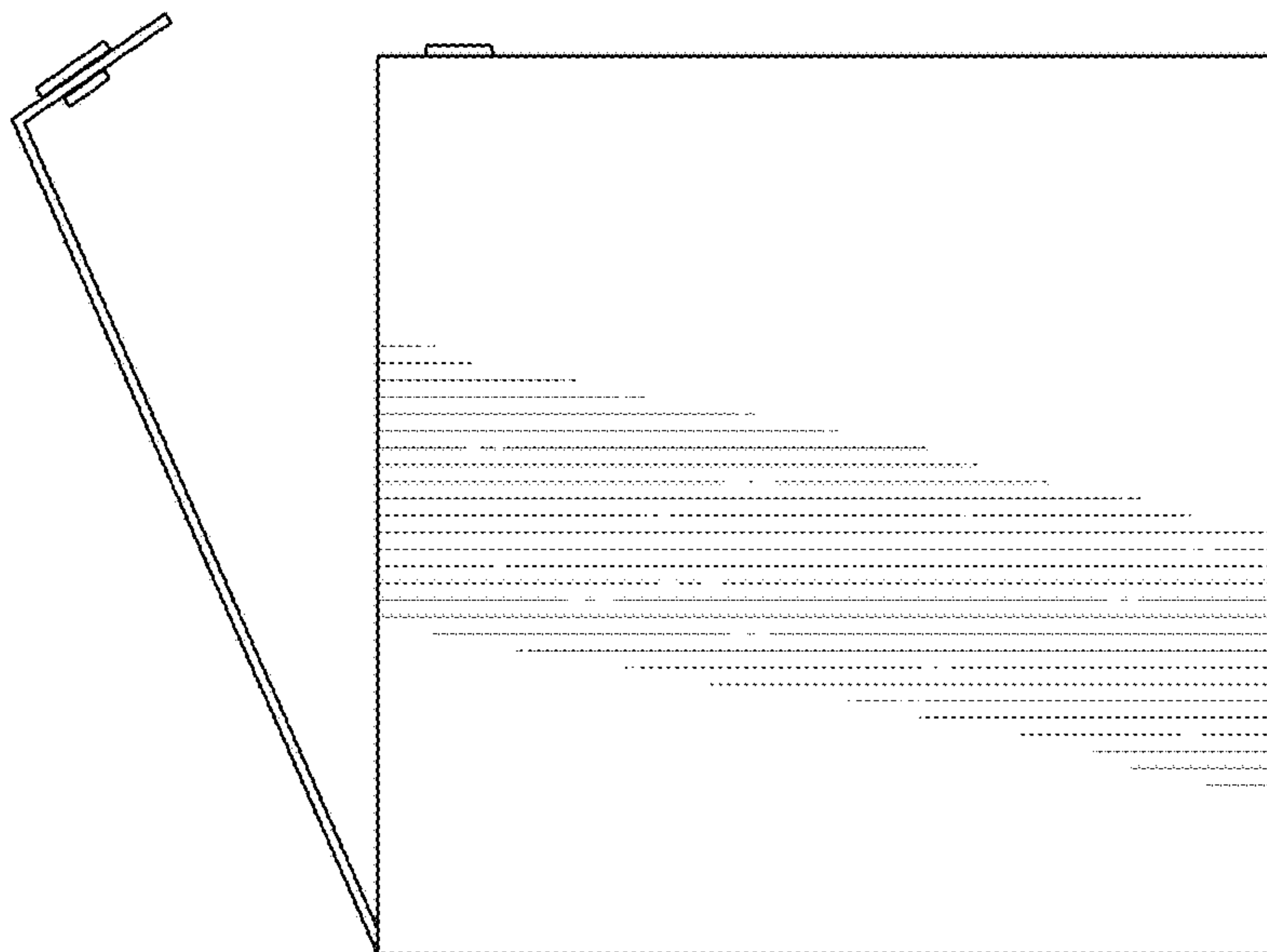


FIG. 4

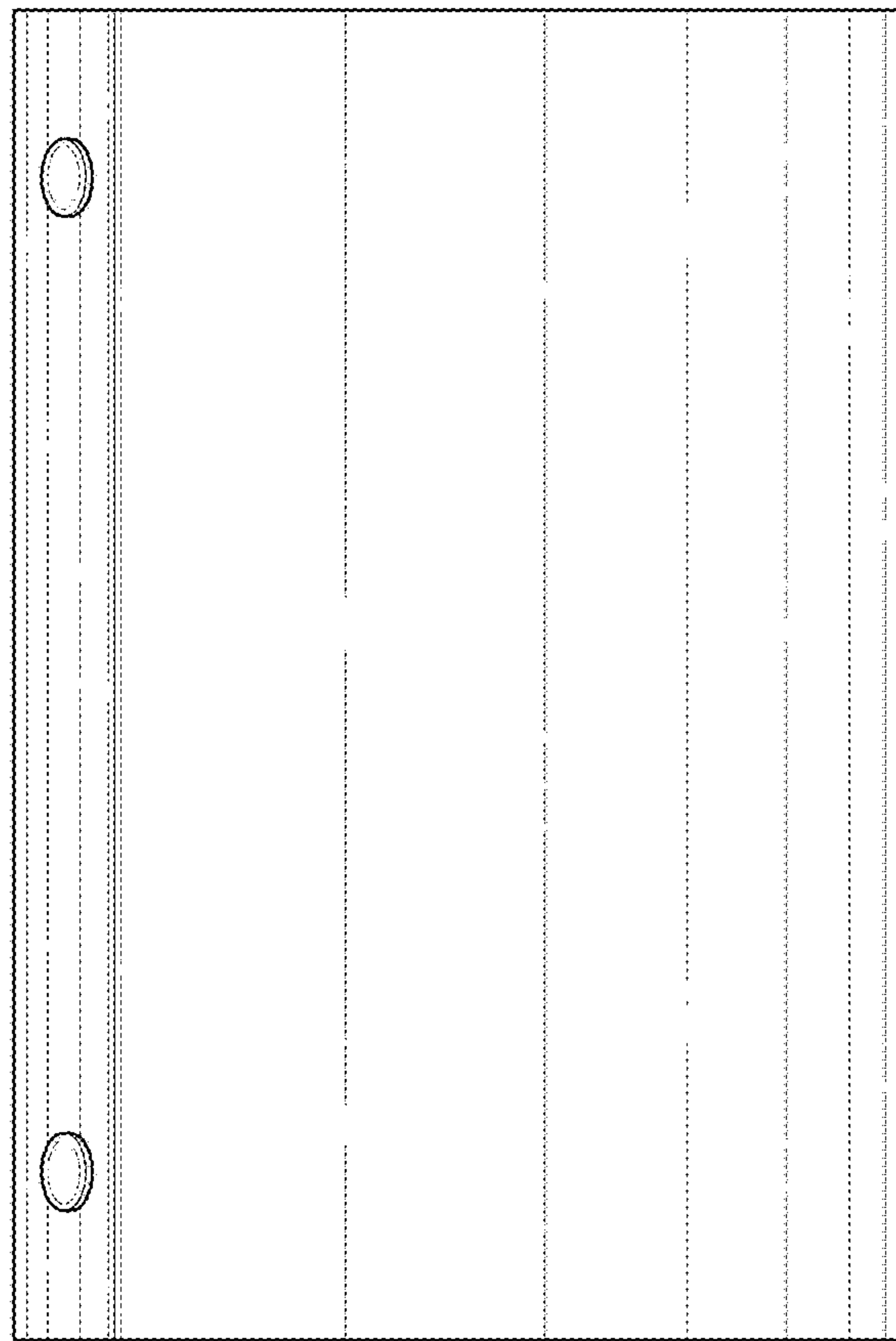


FIG. 6

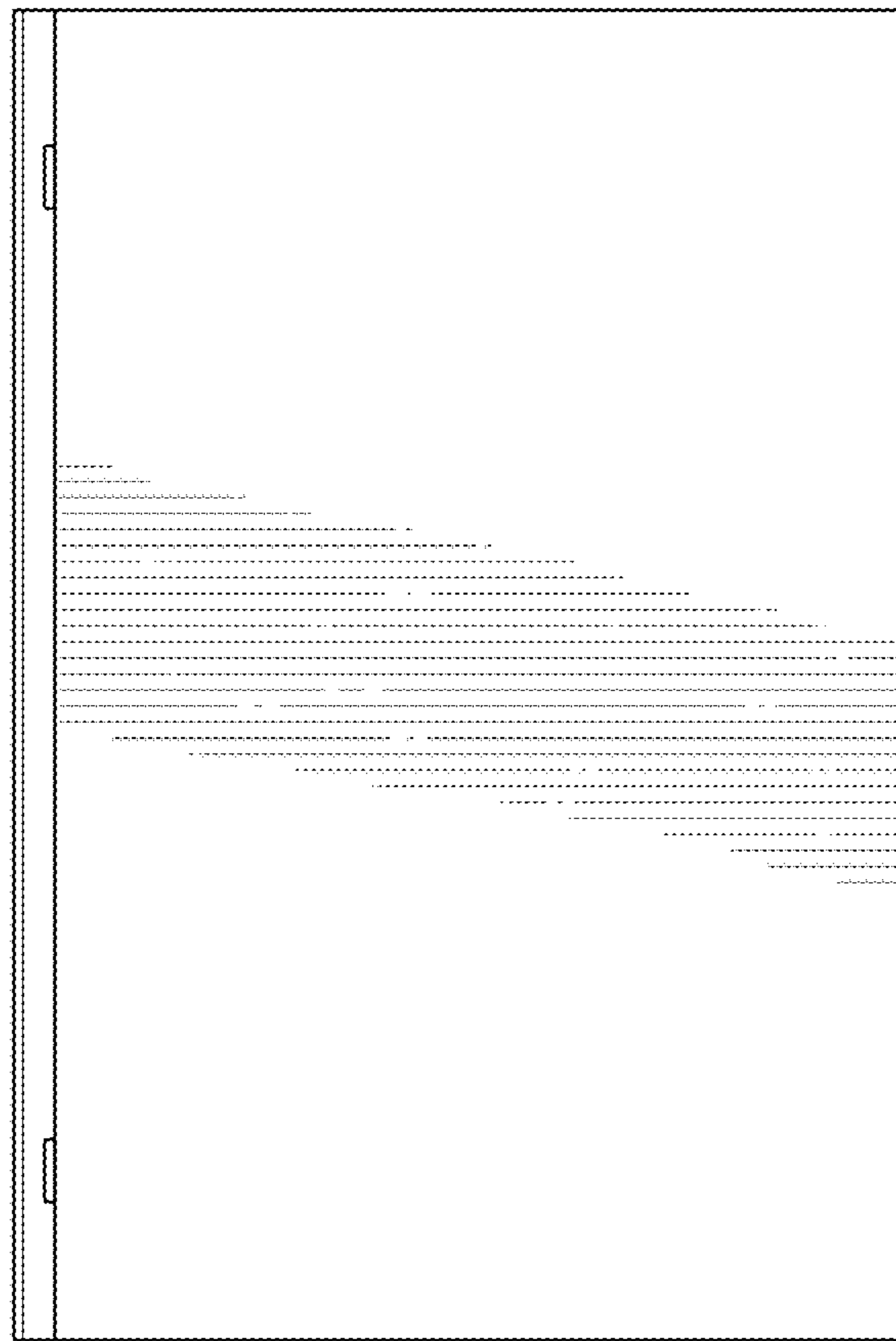


FIG. 7