



US00D859975S

(12) **United States Design Patent** (10) **Patent No.:** **US D859,975 S**  
**Brown** (45) **Date of Patent:** **\*\* Sep. 17, 2019**

- (54) **3 LOAF CAKE PACKAGE**
- (71) Applicant: **Pinnpack Packaging, LLC**, Oxnard, CA (US)
- (72) Inventor: **Dean Brown**, Oxnard, CA (US)
- (73) Assignee: **PINPACK PACKAGING, LLC**, Oxnard, CA (US)
- (\*\*) Term: **15 Years**
- (21) Appl. No.: **29/611,912**
- (22) Filed: **Jul. 26, 2017**
- (51) **LOC (12) Cl.** ..... **09-03**
- (52) **U.S. Cl.**  
USPC ..... **D9/420**
- (58) **Field of Classification Search**  
USPC ..... D9/420-421, 435, 756, 761, 759, 425, D9/426, 758, 432, 737, 414-419; D7/542, 553.3, 553.2, 354; D3/313  
CPC ..... B65D 75/24; B65D 21/0222; A47J 47/08  
See application file for complete search history.

- D637,483 S \* 5/2011 Snedden ..... D9/425
- D640,130 S \* 6/2011 Golota ..... D9/425
- D649,050 S \* 11/2011 Sarnoff ..... D9/435
- D663,633 S \* 7/2012 Rivera ..... D9/423
- 8,215,485 B2 \* 7/2012 Maroofian ..... B65D 75/24  
206/445
- D693,178 S \* 11/2013 Wilson ..... D7/553.2
- D695,107 S \* 12/2013 Clements ..... D9/425
- D707,077 S \* 6/2014 Sarnoff ..... D7/354
- D727,750 S \* 4/2015 Murphy ..... D9/759
- D804,964 S \* 12/2017 Bennett ..... D9/758
- D823,106 S \* 7/2018 Lam ..... D9/426
- D824,269 S \* 7/2018 Vorobej ..... D9/756
- D827,451 S \* 9/2018 Parikh ..... D9/756
- D837,602 S \* 1/2019 Malcolm ..... D7/542
- D837,646 S \* 1/2019 Mazzuca ..... D9/418
- D838,584 S \* 1/2019 Lam ..... D9/425
- D846,281 S \* 4/2019 Greenwood ..... D3/313
- 2007/0196541 A1 \* 8/2007 Vovan ..... B65D 21/0222  
426/106
- 2019/0071217 A1 \* 3/2019 Brown ..... A47J 47/08

\* cited by examiner

Primary Examiner — Rhea Shields  
(74) Attorney, Agent, or Firm — Michael R Shevlin

(57) **CLAIM**

The ornamental design for a 3 loaf cake package, as shown and described.

**DESCRIPTION**

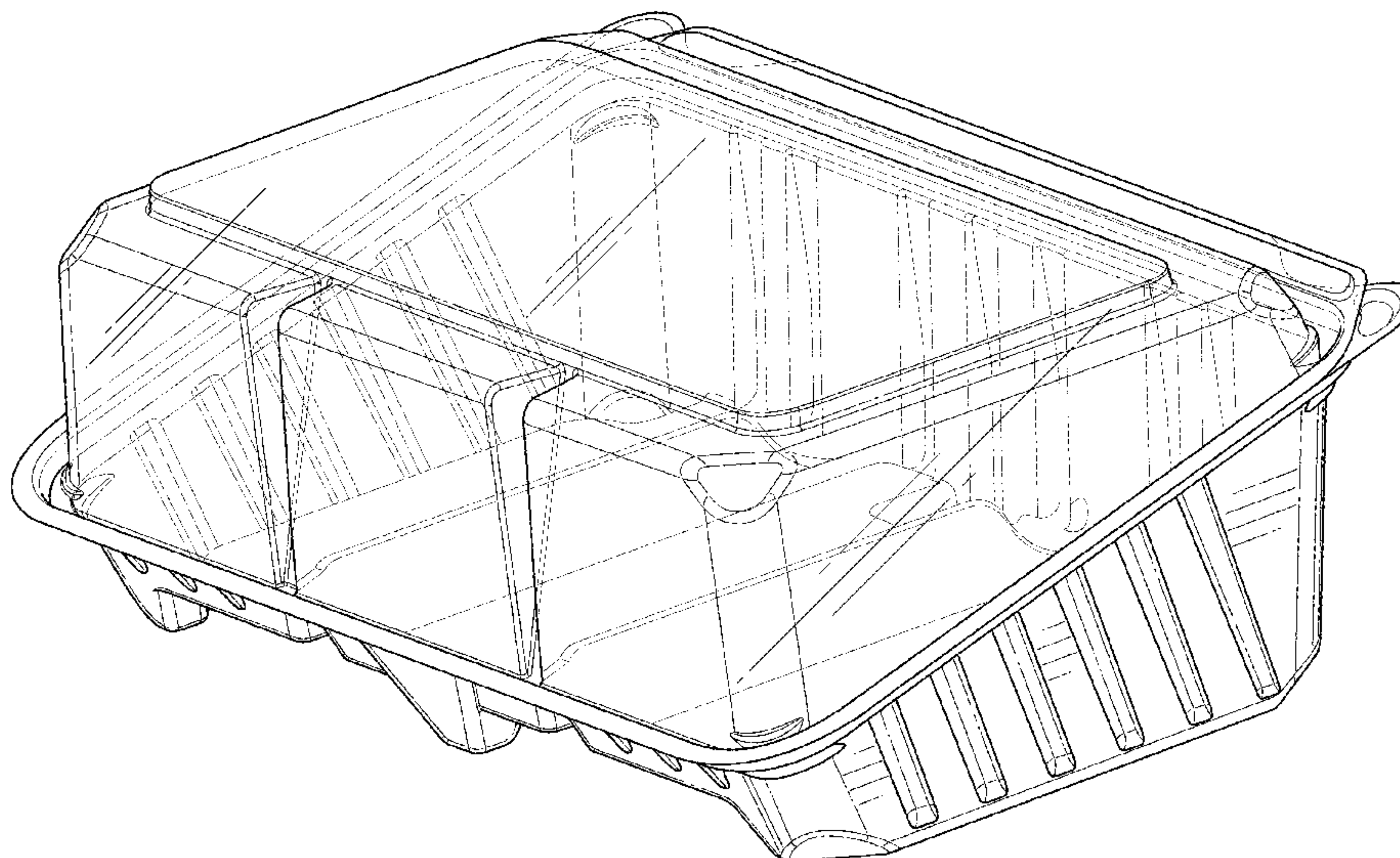
FIG. 1 is a perspective view of the 3 loaf cake package; FIG. 2 is a front view of the 3 loaf cake package; FIG. 3 is a rear view of the 3 loaf cake package; FIG. 4 is a right side view showing the 3 loaf cake package; FIG. 5 is left side view showing the 3 loaf cake package; FIG. 6 is a top end view showing the 3 loaf cake package; and, FIG. 7 is a bottom end view of the 3 loaf cake package.

**1 Claim, 7 Drawing Sheets**

(56) **References Cited**

**U.S. PATENT DOCUMENTS**

- D323,114 S \* 1/1992 Sheehan ..... D9/420
- D361,035 S \* 8/1995 Krupa ..... D9/423
- D395,003 S \* 6/1998 Daniels ..... D9/737
- D484,043 S \* 12/2003 Hwang ..... D9/415
- D502,869 S \* 3/2005 Clarke ..... D9/425
- D505,323 S \* 5/2005 Ramirez ..... D9/432
- D524,646 S \* 7/2006 Hellenbrand ..... D9/756
- D571,654 S \* 6/2008 Maroofian ..... D9/420
- D579,326 S \* 10/2008 Chen ..... D9/425
- D591,175 S \* 4/2009 Larson ..... D9/425
- D616,250 S \* 5/2010 Peyton ..... D7/553.3
- D625,995 S \* 10/2010 Vovan ..... D9/429



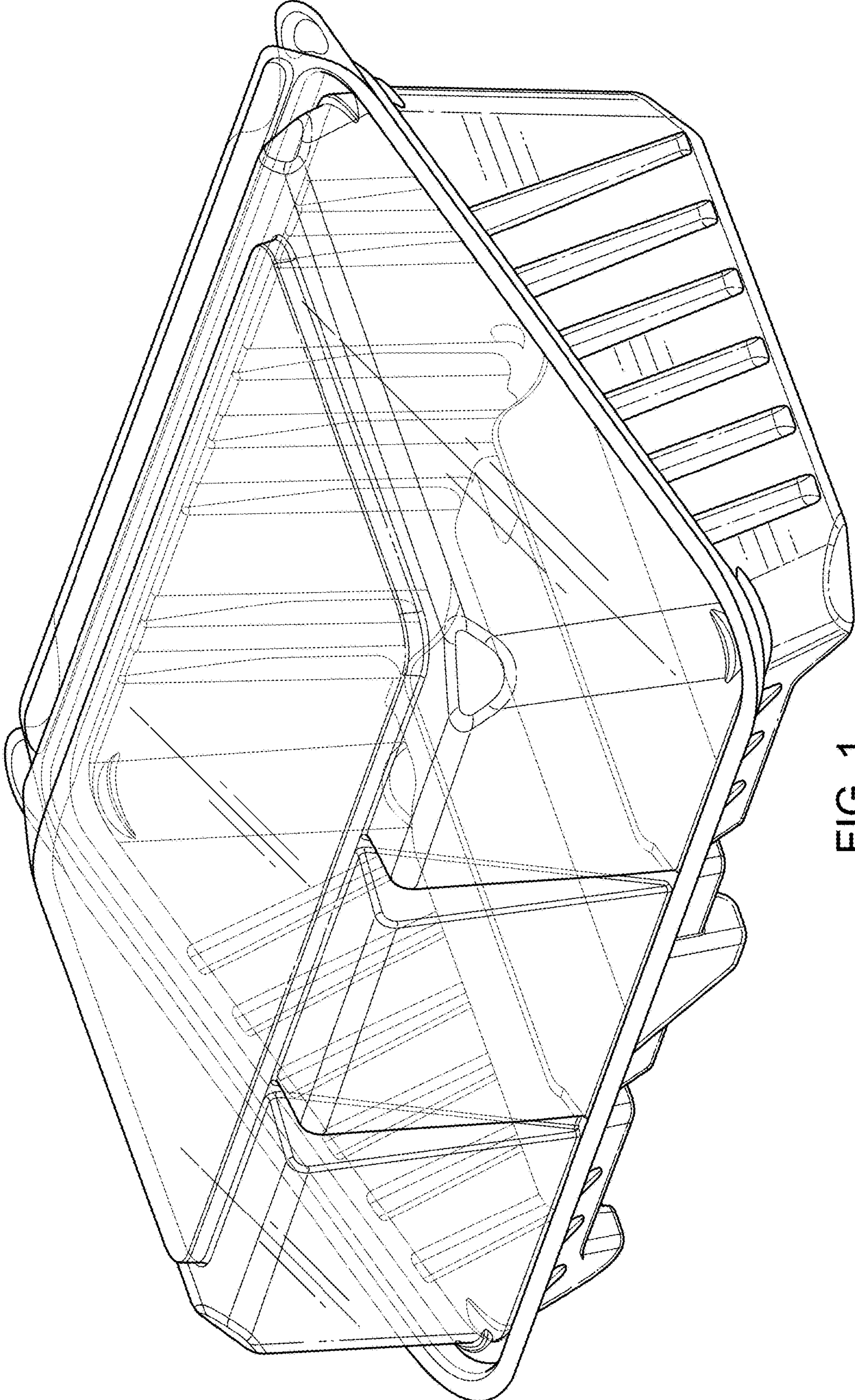


FIG. 1



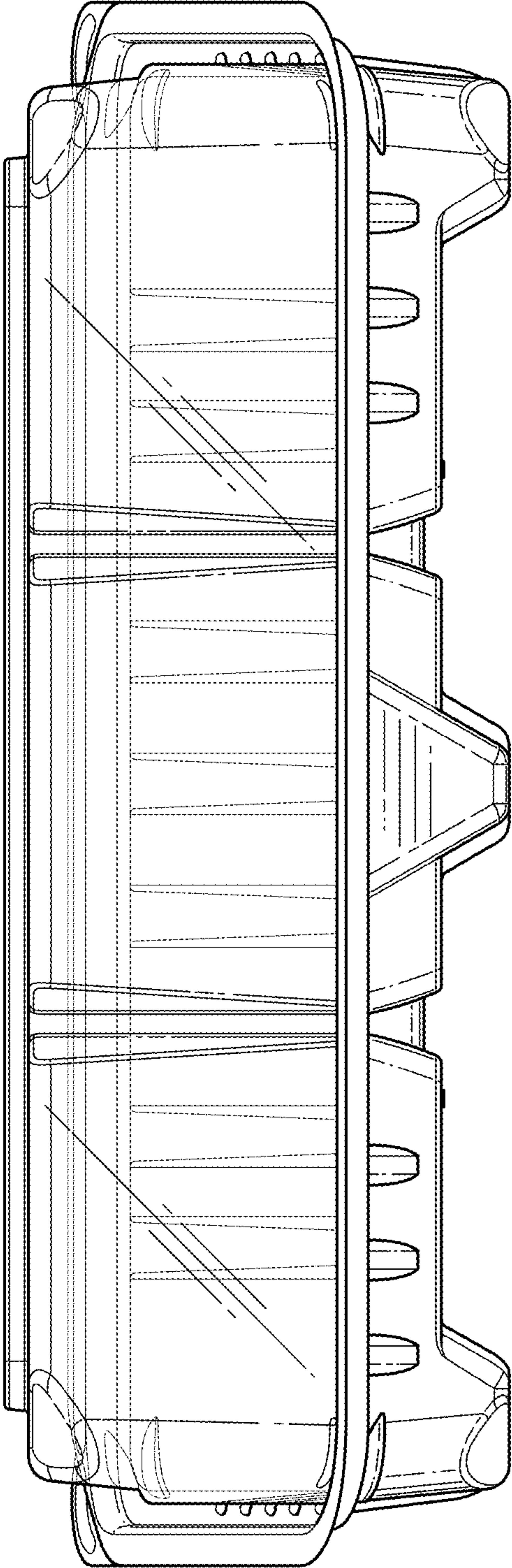


FIG. 2

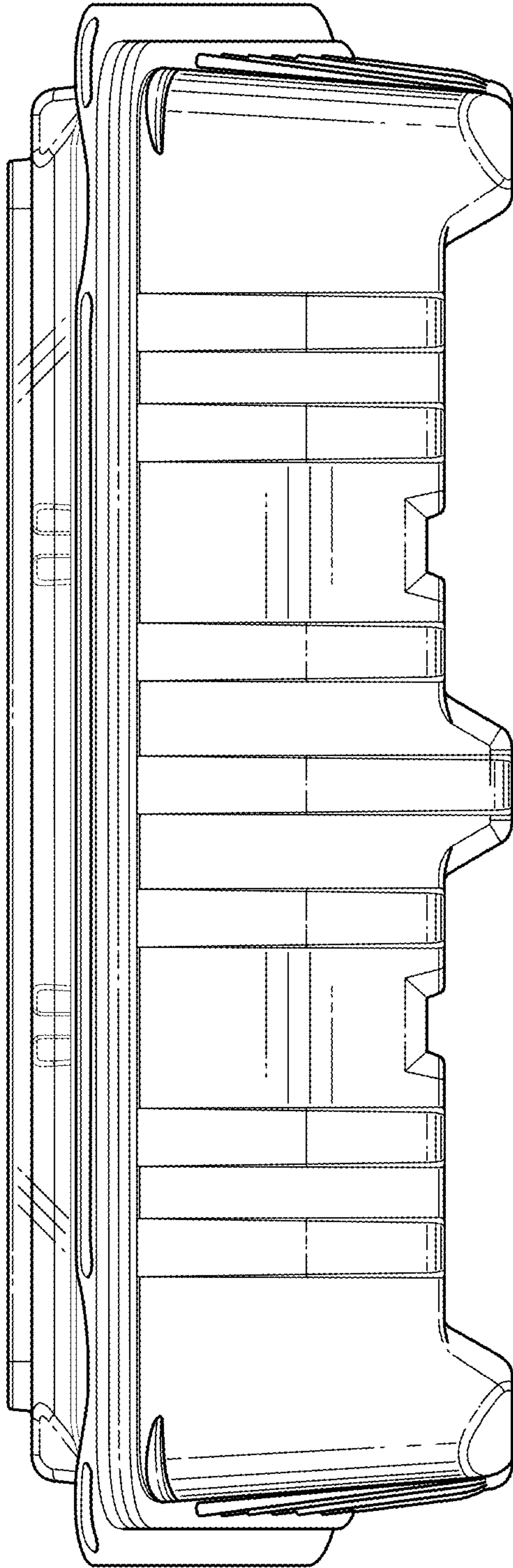


FIG. 3

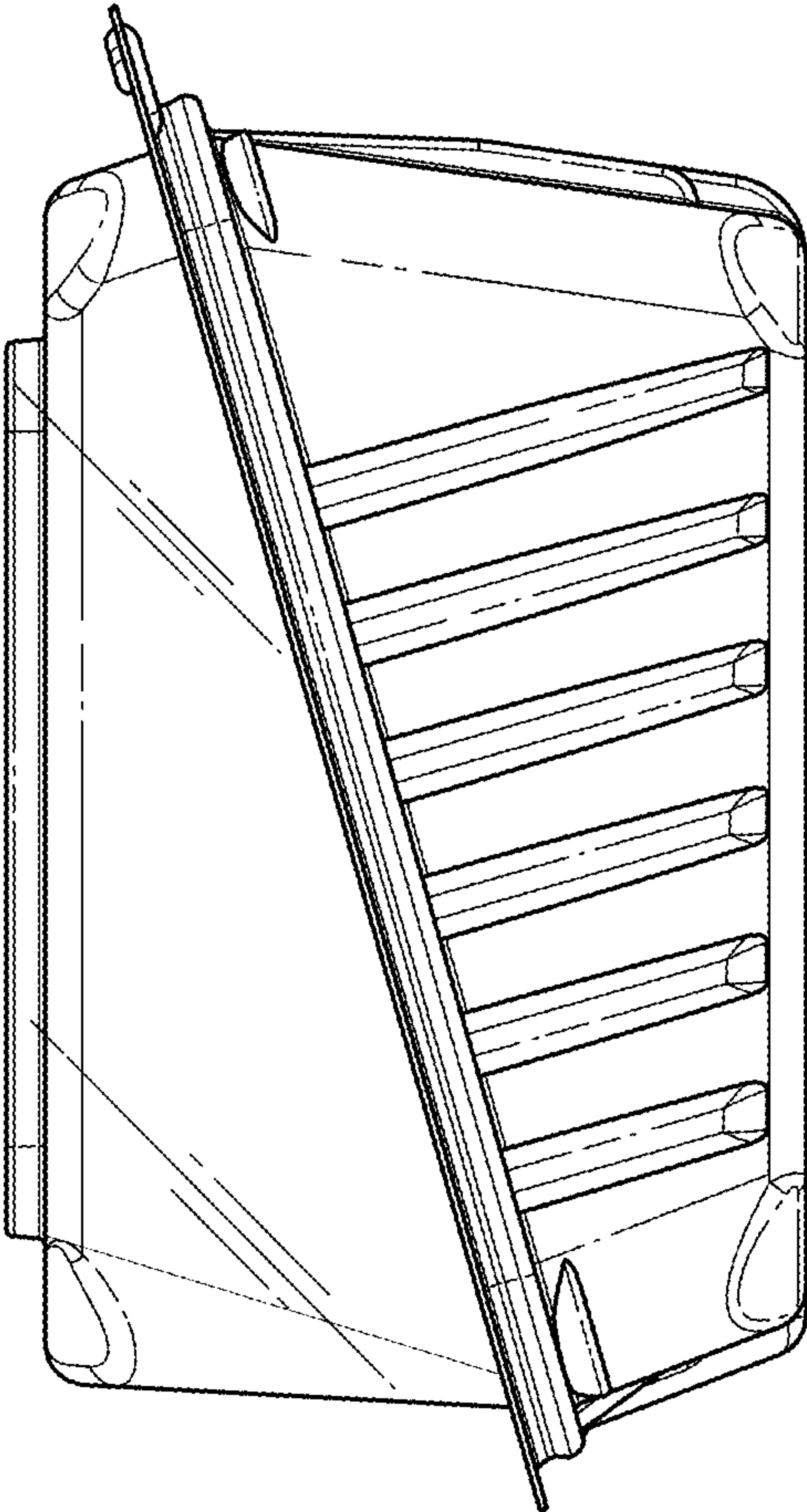


FIG. 4

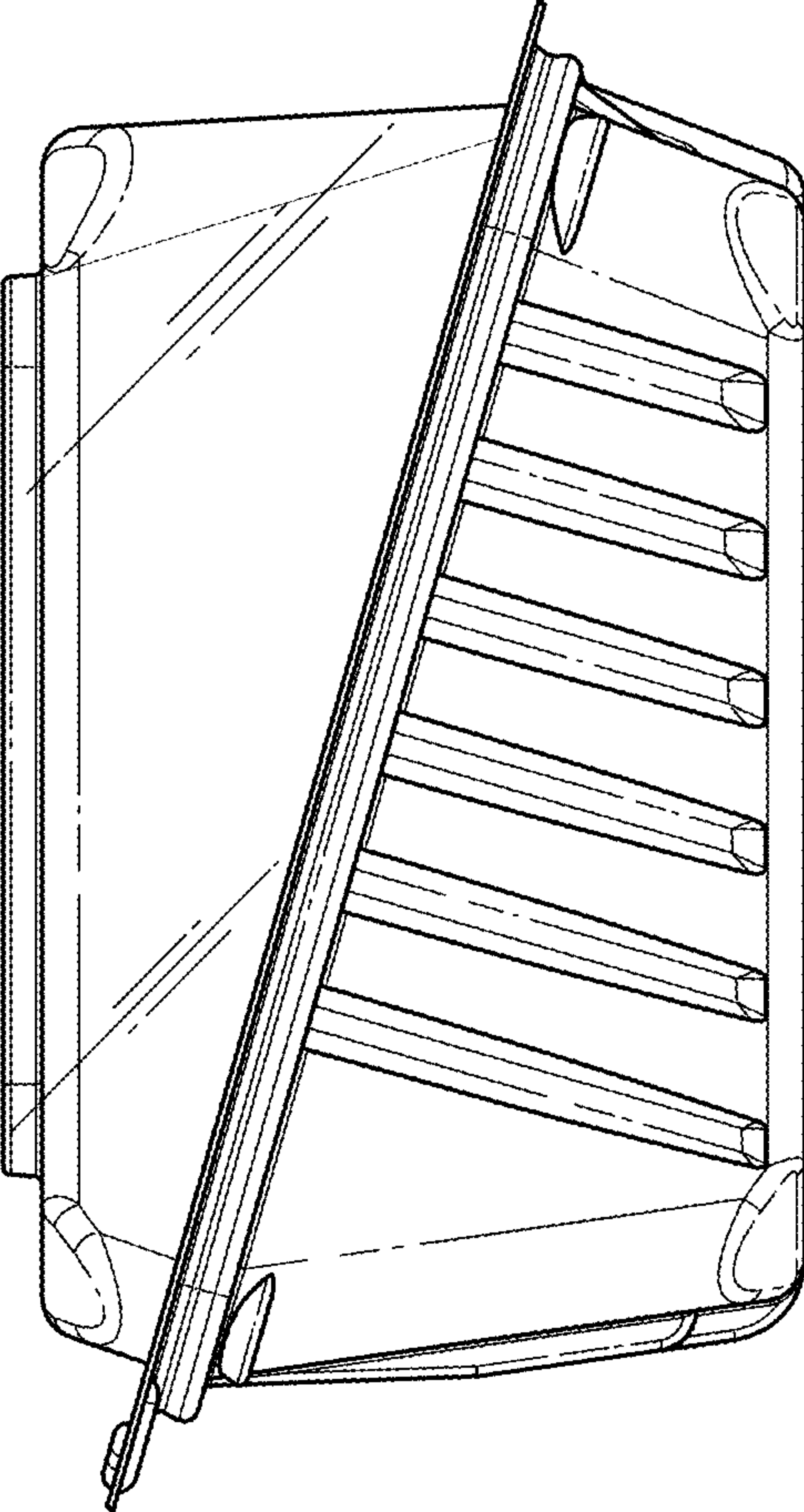


FIG. 5



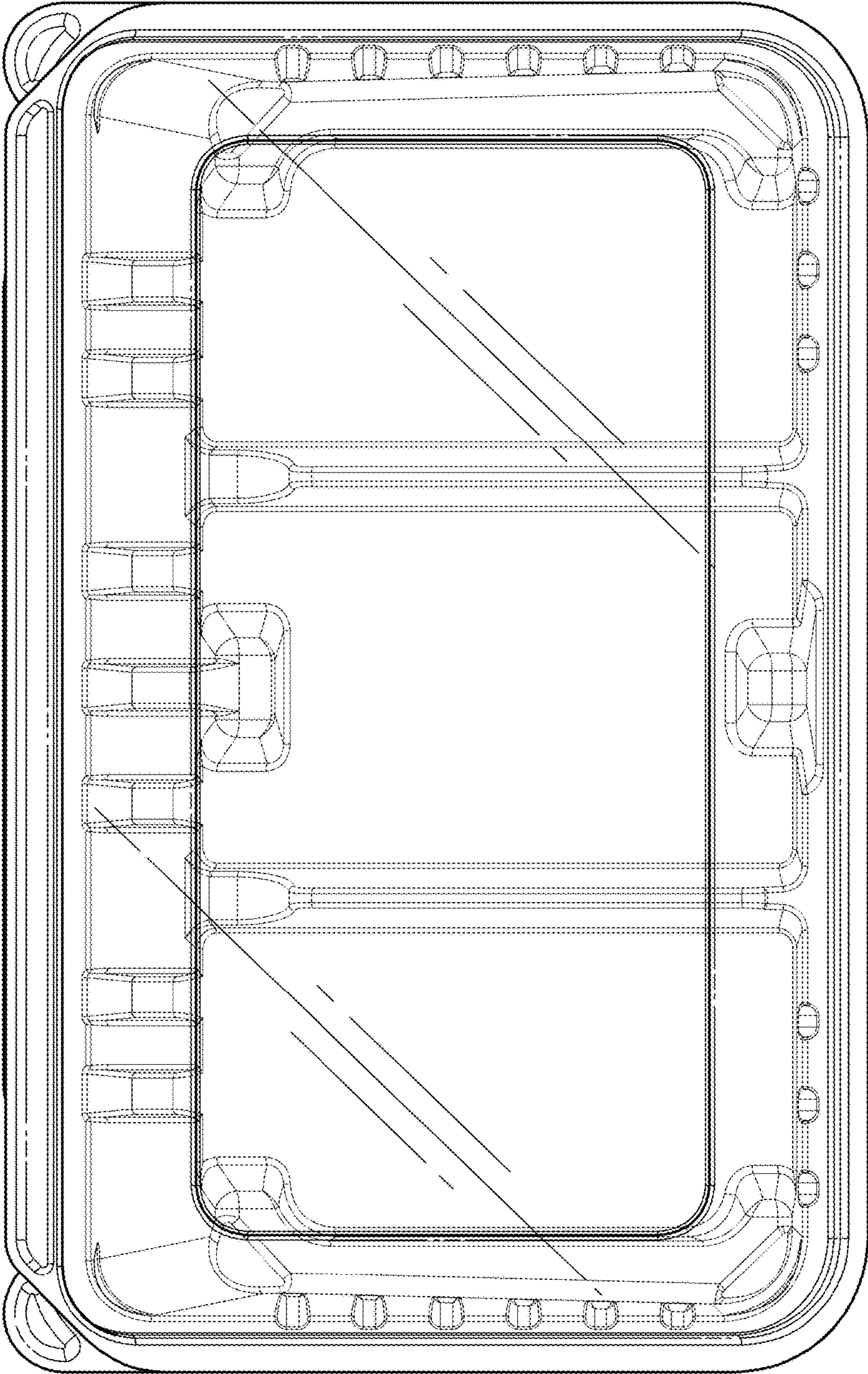


FIG. 6

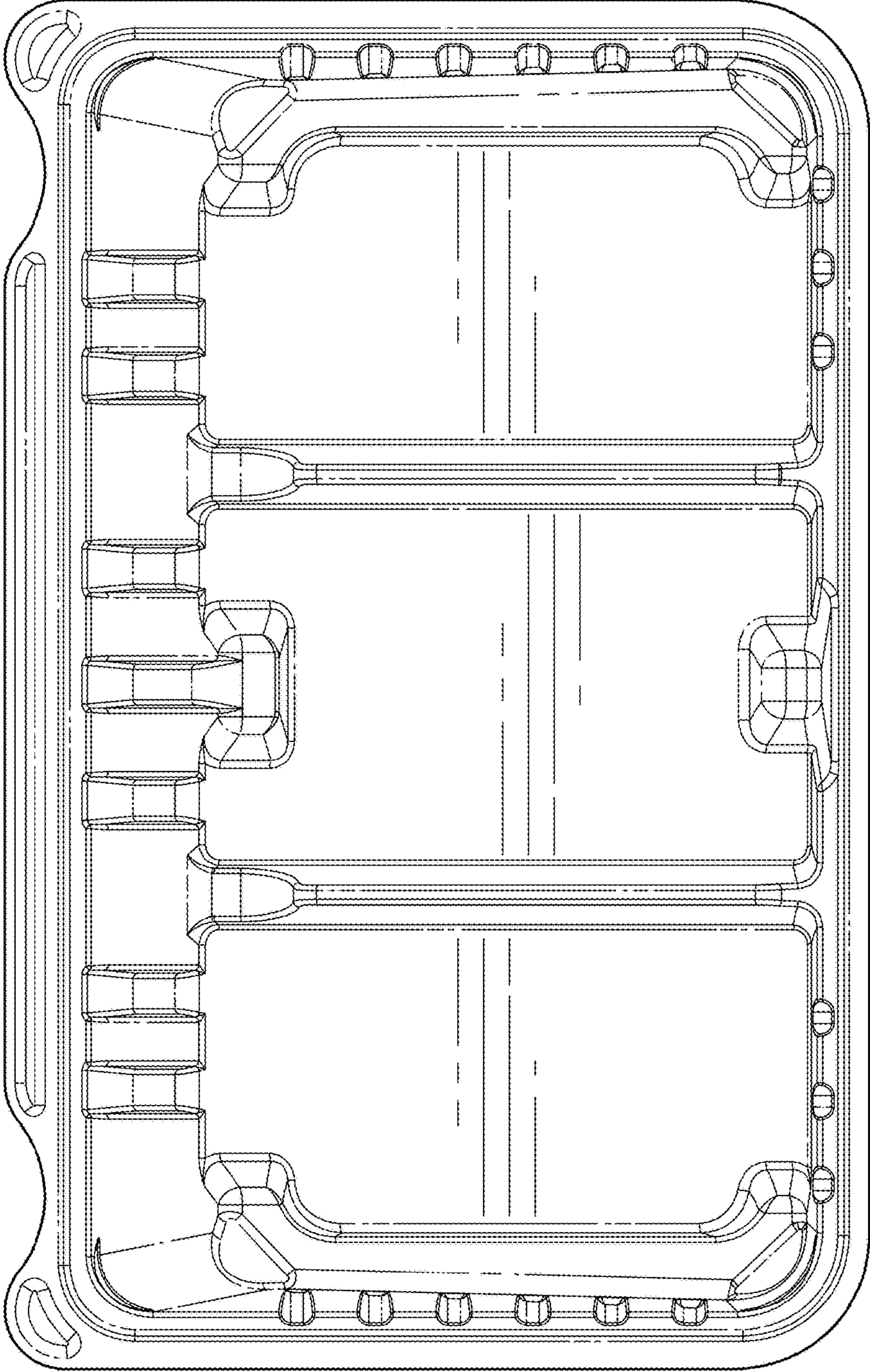


FIG. 7