



US00D859973S

(12) **United States Design Patent**
Foerster, Jr.

(10) **Patent No.:** **US D859,973 S**
(45) **Date of Patent:** **** Sep. 17, 2019**

- (54) **THREAD REPAIR INSERT WITH TEETH**
- (71) Applicant: **Thomas F. Foerster, Jr.**, Eagle River, WI (US)
- (72) Inventor: **Thomas F. Foerster, Jr.**, Eagle River, WI (US)
- (73) Assignee: **Gard Specialists Co., Inc.**, Eagle River, WI (US)
- (**) Term: **15 Years**
- (21) Appl. No.: **29/640,373**
- (22) Filed: **Mar. 14, 2018**
- (51) **LOC (12) Cl.** **08-08**
- (52) **U.S. Cl.**
USPC **D8/397**
- (58) **Field of Classification Search**
USPC 411/295, 393, 427, 429, 432, 918, 179,
411/180, 190, 327, 531; D8/397, 394,
D8/382, 349; 605/232; 248/154;
D24/156
CPC F16B 31/02; F16B 41/002; F16B 23/0061
See application file for complete search history.

- D220,027 S * 3/1971 Myers D8/397
- D223,187 S * 3/1972 Wing D8/397
- 3,702,628 A * 11/1972 Cosenza F16B 39/36
411/280
- D233,652 S * 11/1974 Wing D8/397
- 4,019,550 A * 4/1977 DeHaitre F16B 33/004
411/303

(Continued)

Primary Examiner — Cynthia R Underwood
(74) *Attorney, Agent, or Firm* — Christopher A. Proskey;
BrownWinick Law Firm

(57) **CLAIM**

The ornamental design for a thread repair insert with teeth, as is shown and described.

DESCRIPTION

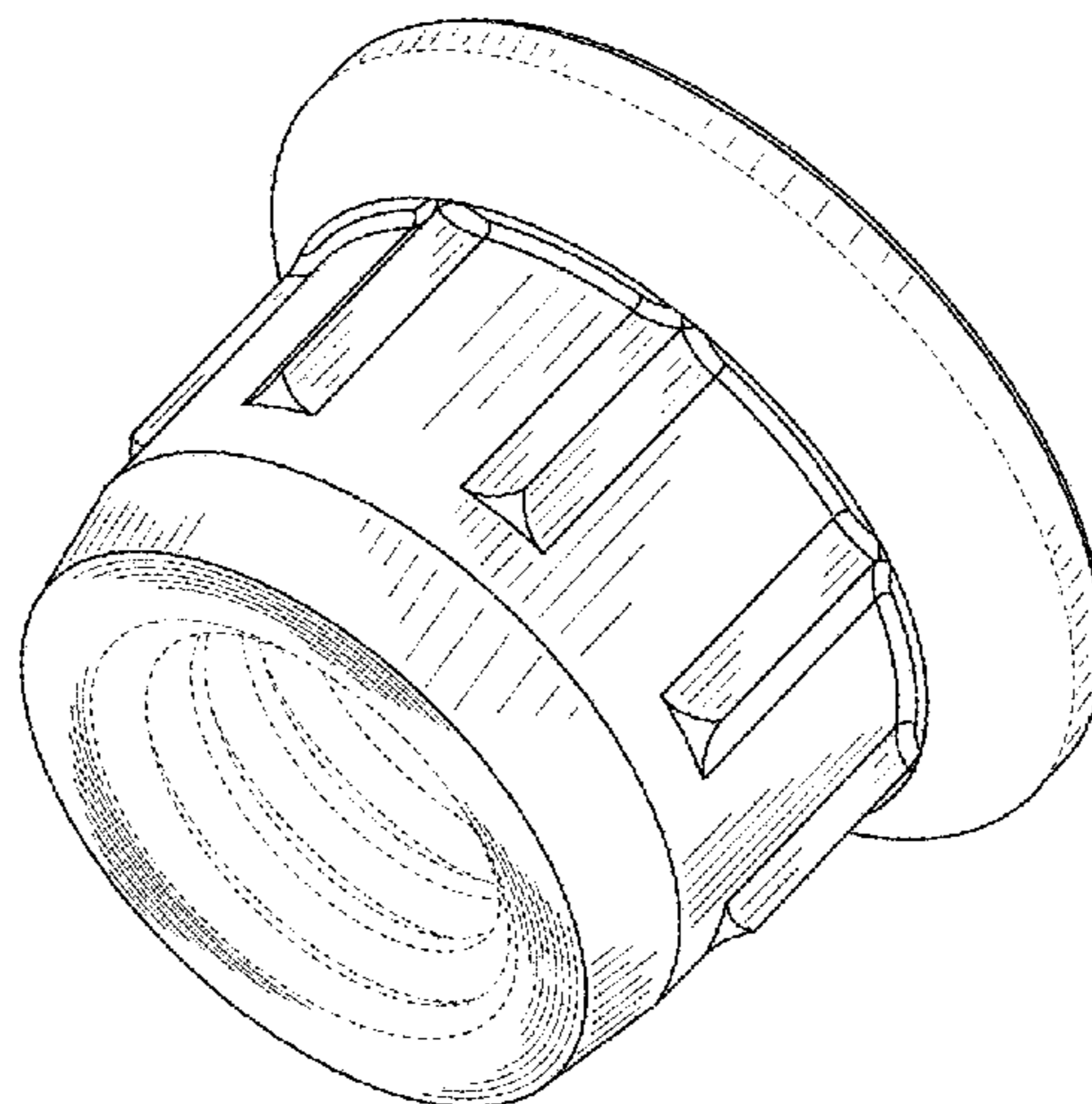
FIG. 1 is an elevation view of a top side of a thread repair insert with teeth;
 FIG. 2 is an elevation view of a bottom side of a thread repair insert with teeth;
 FIG. 3 is an elevation view of a side of a thread repair insert with teeth, wherein this side view may be a front side view, a back side view, a left side view and a right side view due to the symmetry of the thread repair insert with teeth;
 FIG. 4 is a perspective view of a bottom side of a thread repair insert with teeth;
 FIG. 5 is another perspective view of a bottom side of a thread repair insert with teeth taken from a slightly different angle than the view of FIG. 4;
 FIG. 6 is a perspective view of a top side of a thread repair insert with teeth; and,
 FIG. 7 is another perspective view of a top side of a thread repair insert with teeth taken from a slightly different angle than the view of FIG. 4.
 The dashed lines shown represent the environment and represent unclaimed subject matter and form no part of the claimed design.

(56) **References Cited**

U.S. PATENT DOCUMENTS

- D23,917 S * 12/1894 Lane D8/397
- 1,029,775 A * 6/1912 Tobin F16B 39/10
411/191
- D57,407 S * 3/1921 Walker D23/269
- 2,120,577 A * 6/1938 Schulte F16B 13/0858
411/71
- D134,789 S * 1/1943 Gade 411/276
- 2,552,794 A * 5/1951 Kimbell F16B 37/02
411/427
- 2,727,551 A * 12/1955 Rees F16B 39/34
411/303
- D198,713 S * 7/1964 Curtiss D8/397
- D218,674 S * 9/1970 Ernest D8/387

1 Claim, 7 Drawing Sheets



(56)

References Cited

U.S. PATENT DOCUMENTS

D244,908 S *	7/1977	Hatter et al.	D8/397	8,007,216 B2 *	8/2011	Ross	F16B 37/122
D244,909 S *	7/1977	Gill	D8/397				156/73.1
D273,561 S *	4/1984	Ozaki	D8/397	D644,673 S *	9/2011	Drenth	D15/138
D281,953 S *	12/1985	Newman	D8/397	8,210,783 B2 *	7/2012	Morrison	411/9
D311,131 S *	10/1990	Saito	D8/397	D679,988 S *	4/2013	Yamazaki	D8/397
6,071,052 A *	6/2000	Kerr	F16B 39/34	D703,521 S *	4/2014	Haynes	D8/397
			411/247	D802,407 S *	11/2017	Foerster, Jr.	D8/387
D446,111 S *	8/2001	Hussaini	D8/29	D802,410 S *	11/2017	Felix	D8/397
D459,207 S *	6/2002	Miyata	D8/397	D809,376 S *	2/2018	Huang	D8/397
D519,076 S *	4/2006	Fox	D13/133	2003/0039527 A1 *	2/2003	Schatz	411/9
7,063,565 B2 *	6/2006	Ward	439/578	2003/0219325 A1 *	11/2003	Schultz	F16B 37/125
D532,684 S *	11/2006	Barnes	D8/397				411/178
D535,259 S *	1/2007	Rodrigues et al.	D13/151	2004/0136807 A1 *	7/2004	Foerster, Jr.	F16B 37/127
D539,129 S *	3/2007	Griffiths	D8/382				411/178
D551,972 S *	10/2007	Jacobs	D9/445	2005/0136735 A1 *	6/2005	Rodrigues	H01R 9/0524
D581,777 S *	12/2008	Huang	D8/397				439/578
D601,507 S *	10/2009	Rodrigues	D13/133	2006/0013671 A1 *	1/2006	Lauderbaugh	F16B 37/127
							411/178
				2017/0122359 A1 *	5/2017	Foerster, Jr.	F16B 25/0084

* cited by examiner

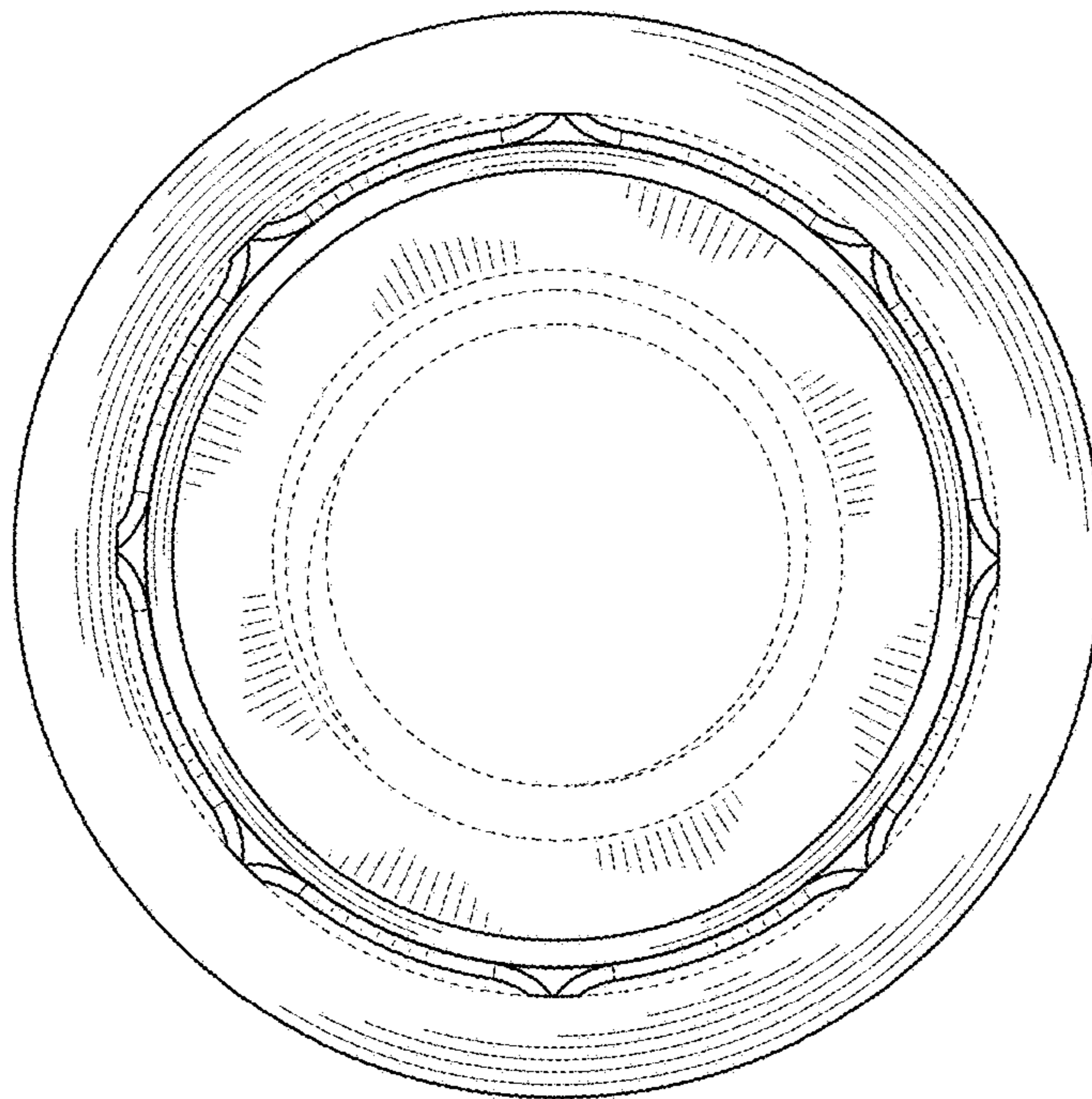


FIG. 1

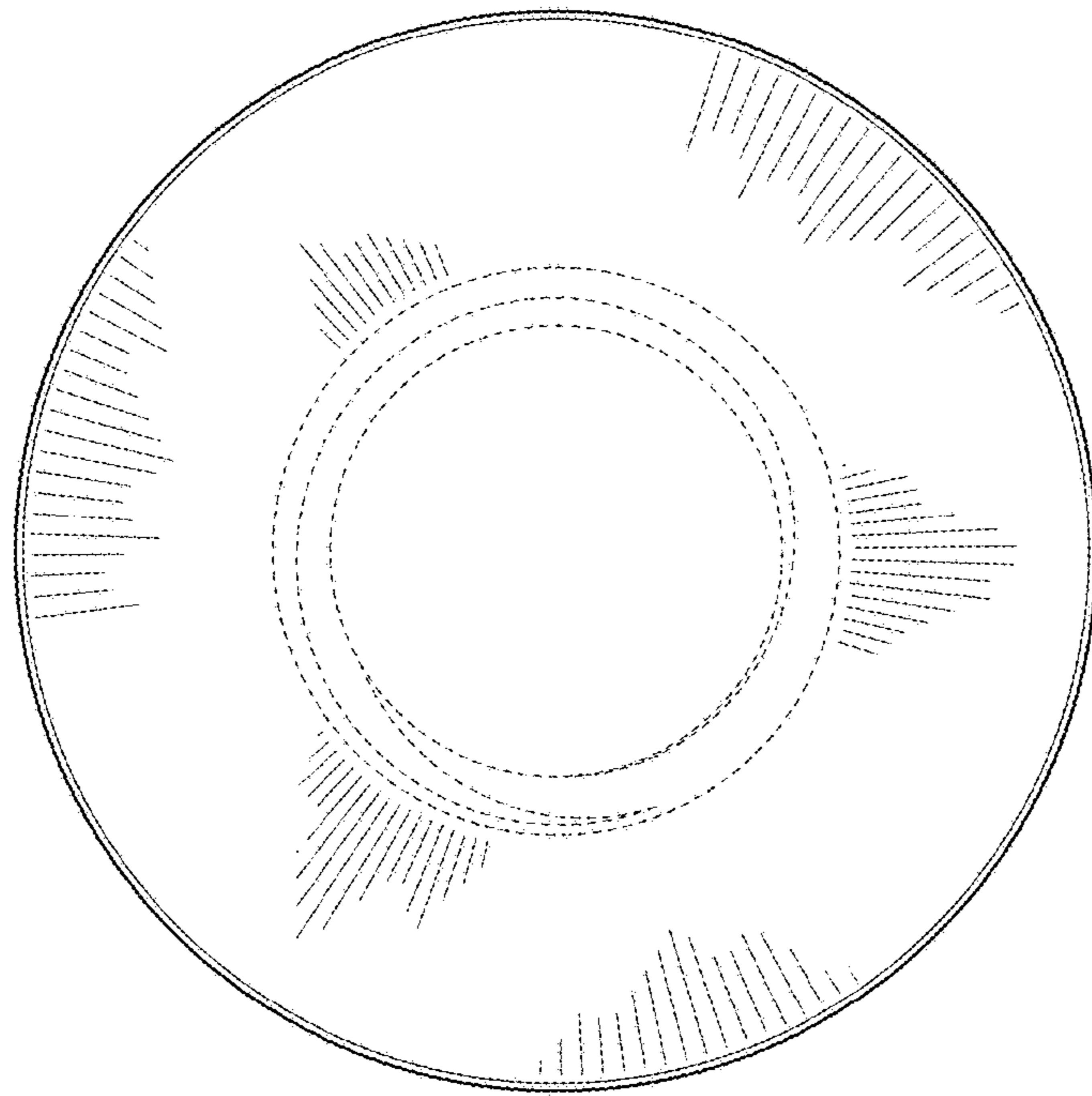


FIG. 2

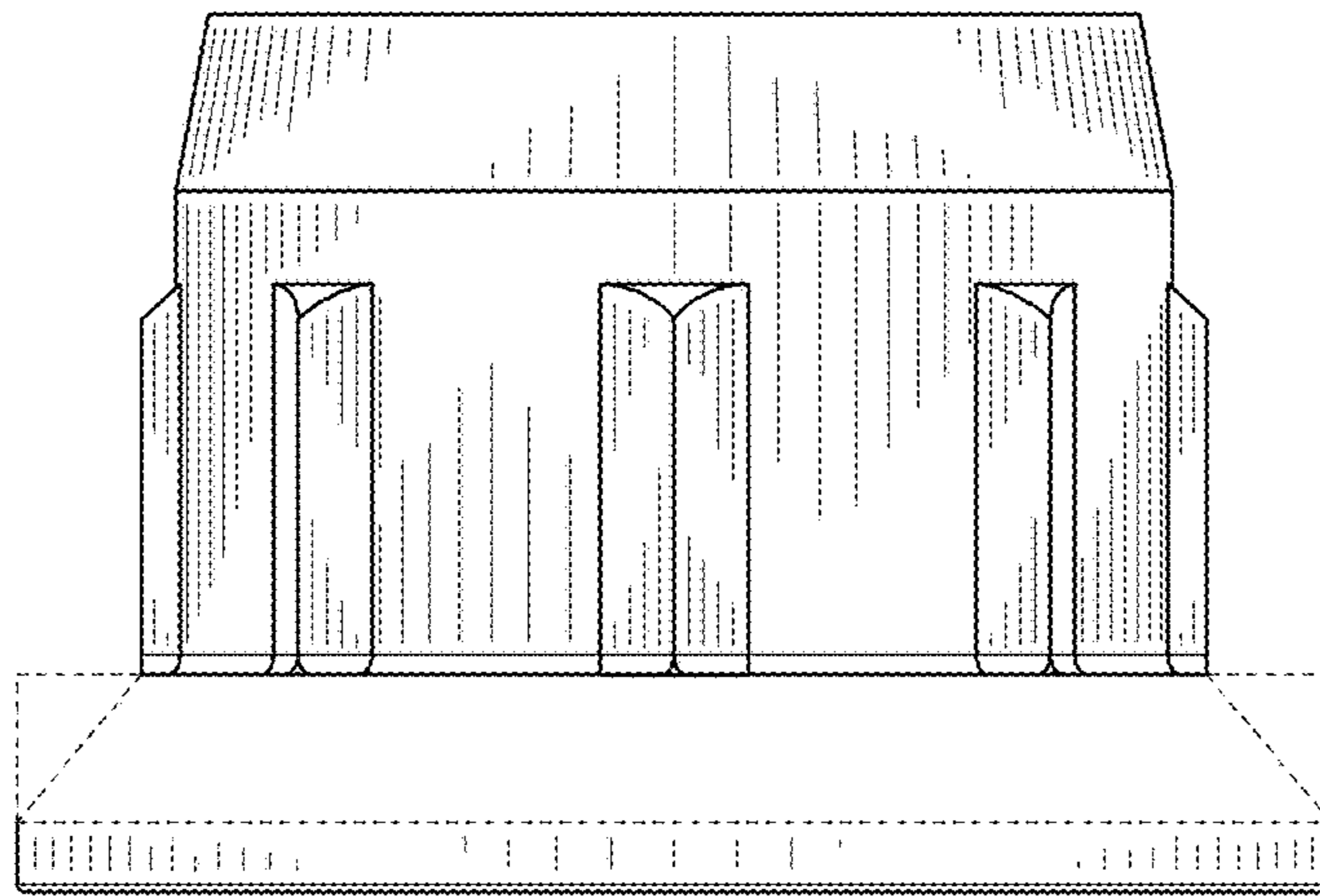


FIG. 3

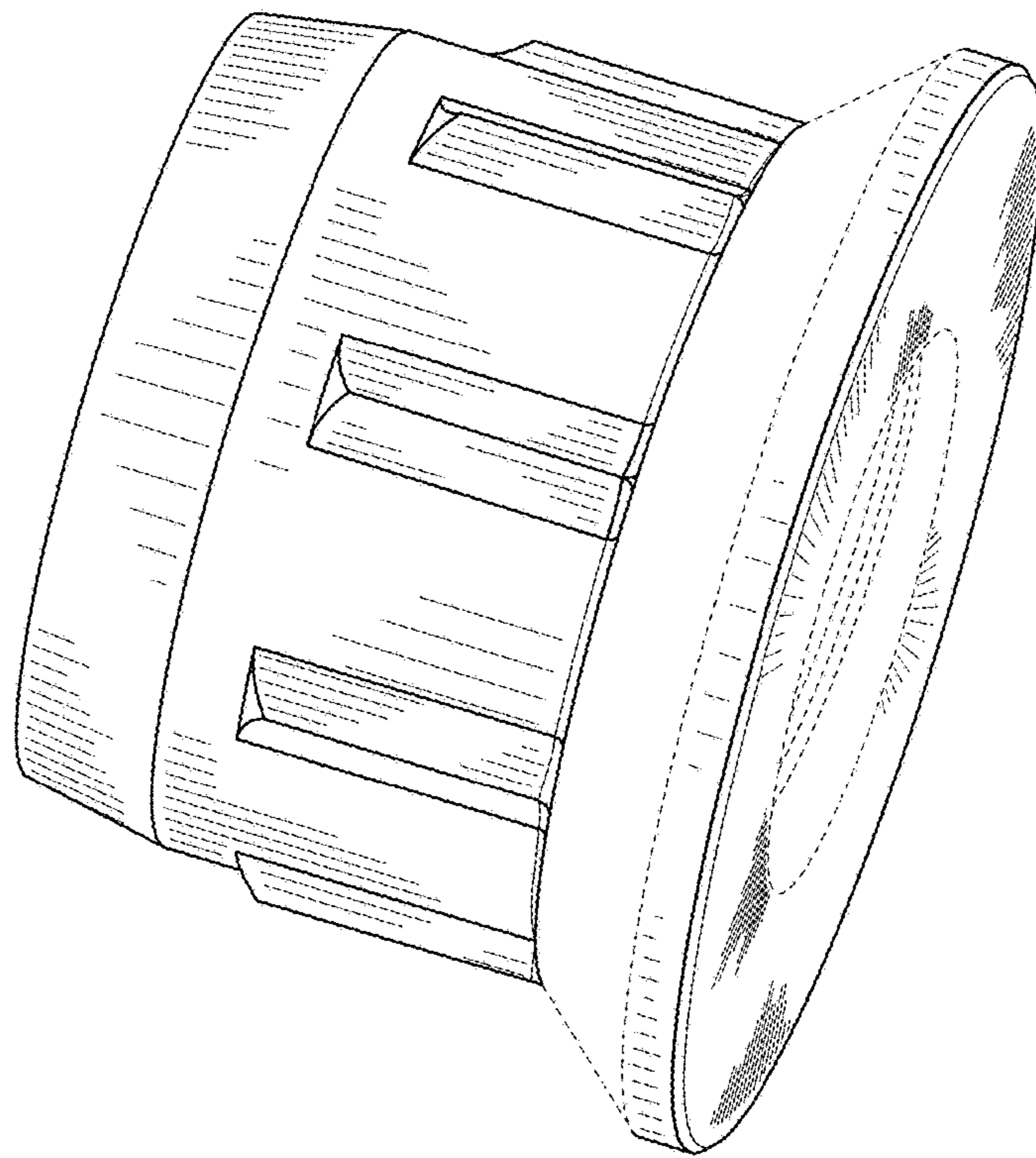


FIG. 4

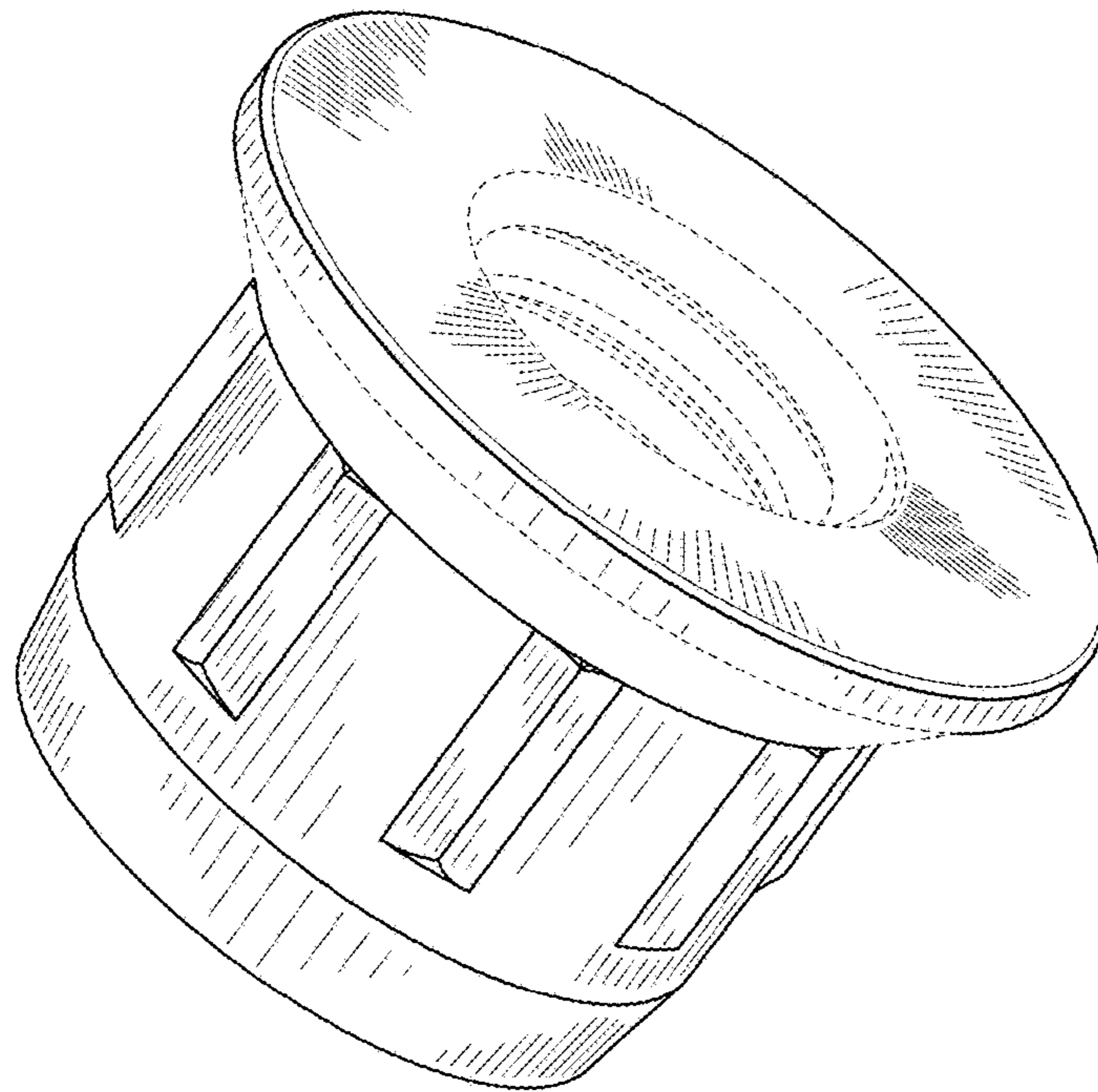


FIG. 5

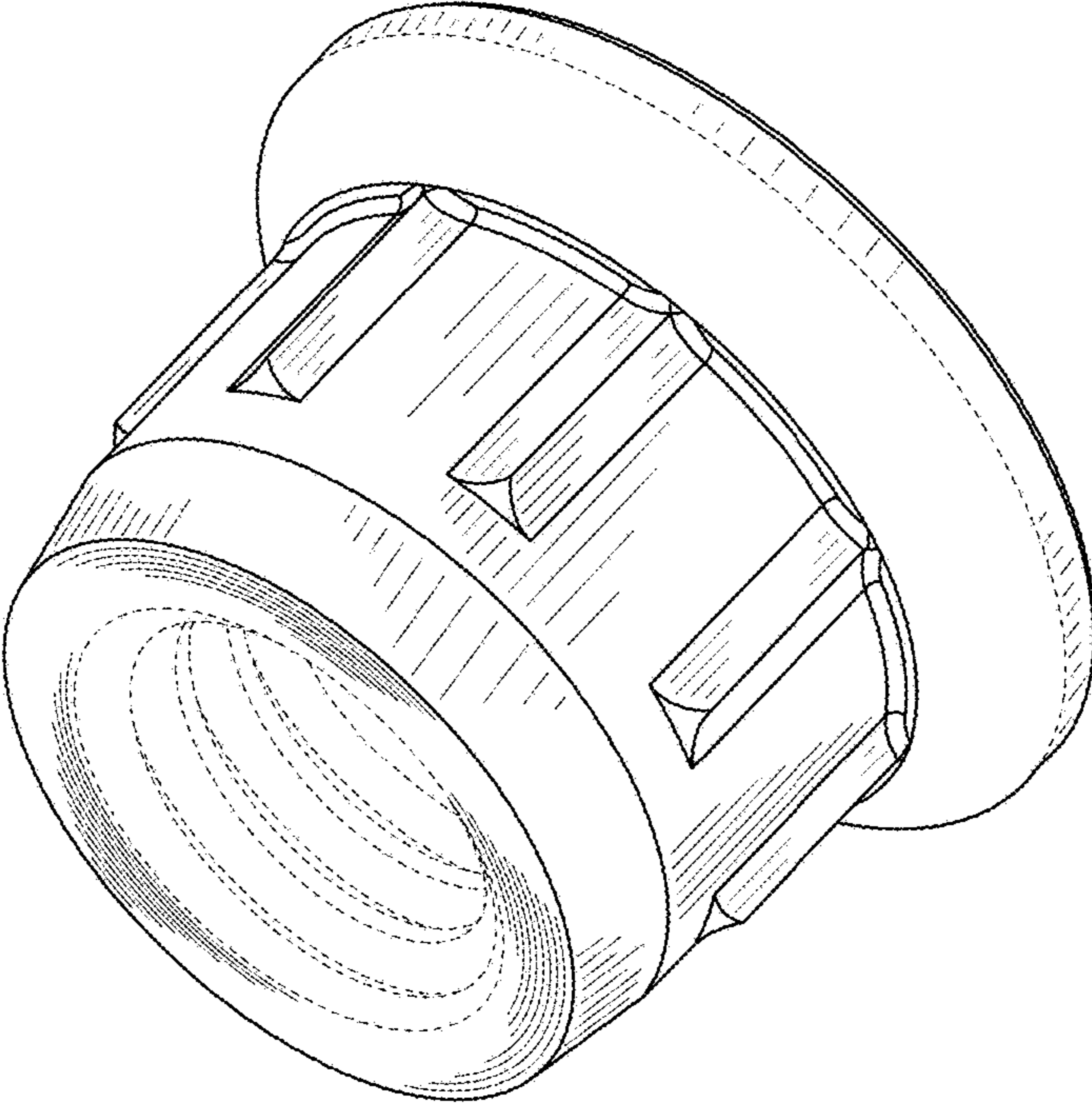


FIG. 6

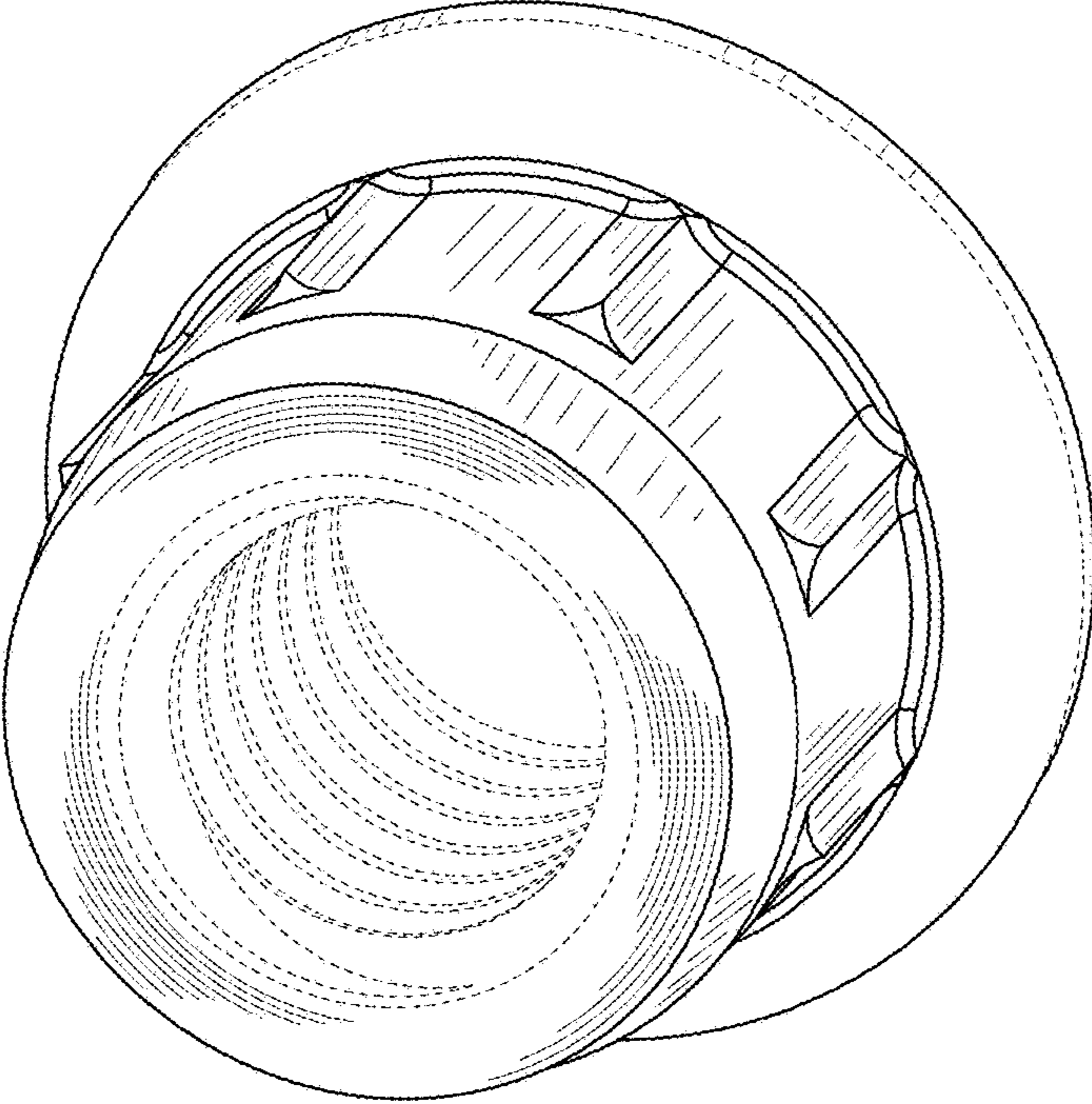


FIG. 7