



US00D859972S

(12) **United States Design Patent**  
**Pulsipher**

(10) **Patent No.:** **US D859,972 S**

(45) **Date of Patent:** **\*\* Sep. 17, 2019**

(54) **CONNECTOR**

(71) Applicant: **David L. Pulsipher**, Clinton, MI (US)

(72) Inventor: **David L. Pulsipher**, Clinton, MI (US)

(\*\*) Term: **15 Years**

(21) Appl. No.: **29/572,701**

(22) Filed: **Jul. 29, 2016**

(51) **LOC (12) Cl.** ..... **08-08**

(52) **U.S. Cl.**  
USPC ..... **D8/395**

(58) **Field of Classification Search**  
USPC ..... D8/71, 349, 354, 382, 383, 385, 388,  
D8/394, 395, 396  
CPC ..... F16B 19/002; F16B 2/22; F16B 5/0692;  
F16B 21/086; F16B 21/088; F16B 5/065;  
F16B 12/32; A44B 13/0023; A44B  
13/0035; A44B 13/007; A44B 13/0088;  
Y10T 24/42; Y10T 24/3996  
See application file for complete search history.

(56) **References Cited**

**U.S. PATENT DOCUMENTS**

1,426,237	A	8/1922	Witzberger	
1,515,974	A	11/1924	Smith	
2,788,047	A	4/1957	Rapata	
2,956,605	A *	10/1960	Rapata	..... F16B 37/041 411/531
3,092,175	A	6/1963	Suessle	
3,213,500	A	10/1965	Thomson	
3,756,115	A	9/1973	Schuplin	
3,803,670	A	4/1974	Johnson	
3,905,570	A	9/1975	Nieuwveld	
D257,950	S *	1/1981	Van Meter, Jr.	..... D13/154
D293,205	S *	12/1987	Nakano	..... D8/382
4,878,792	A	11/1989	Frano	
5,222,988	A	6/1993	Riley	
5,388,311	A	2/1995	Solbeck	

(Continued)

**OTHER PUBLICATIONS**

Waterway Plastics, pool spa supplies, web page, <http://www.pool-spa-supplies.com/waterway-plastics-snap-pin-base-fasteners-4-required-429-722>, Jul. 28, 2016.

(Continued)

*Primary Examiner* — Sandra S Snapp

*Assistant Examiner* — Ieisha N Price

(74) *Attorney, Agent, or Firm* — Young Basile Hanlon & MacFarlane, P.C.

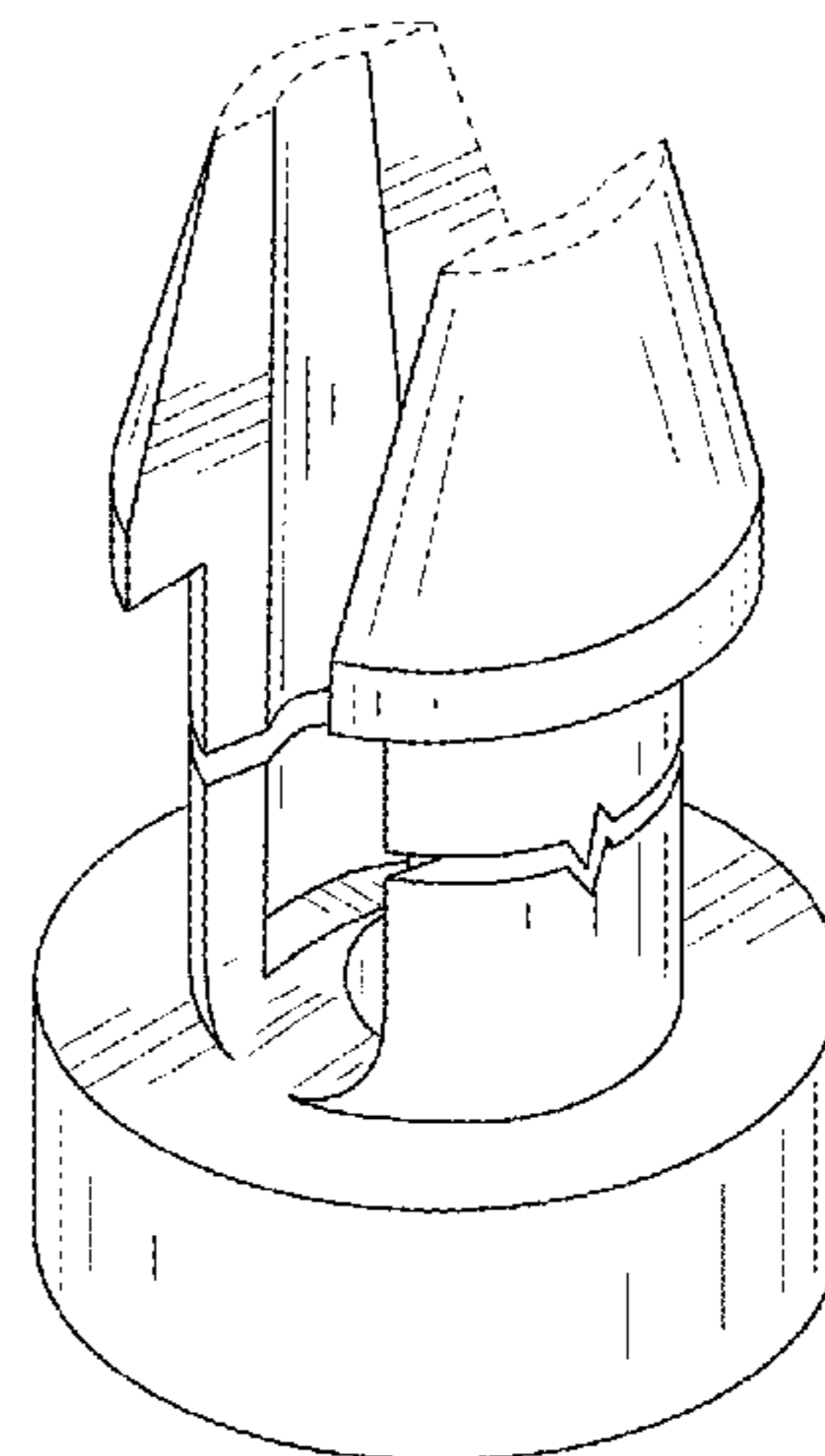
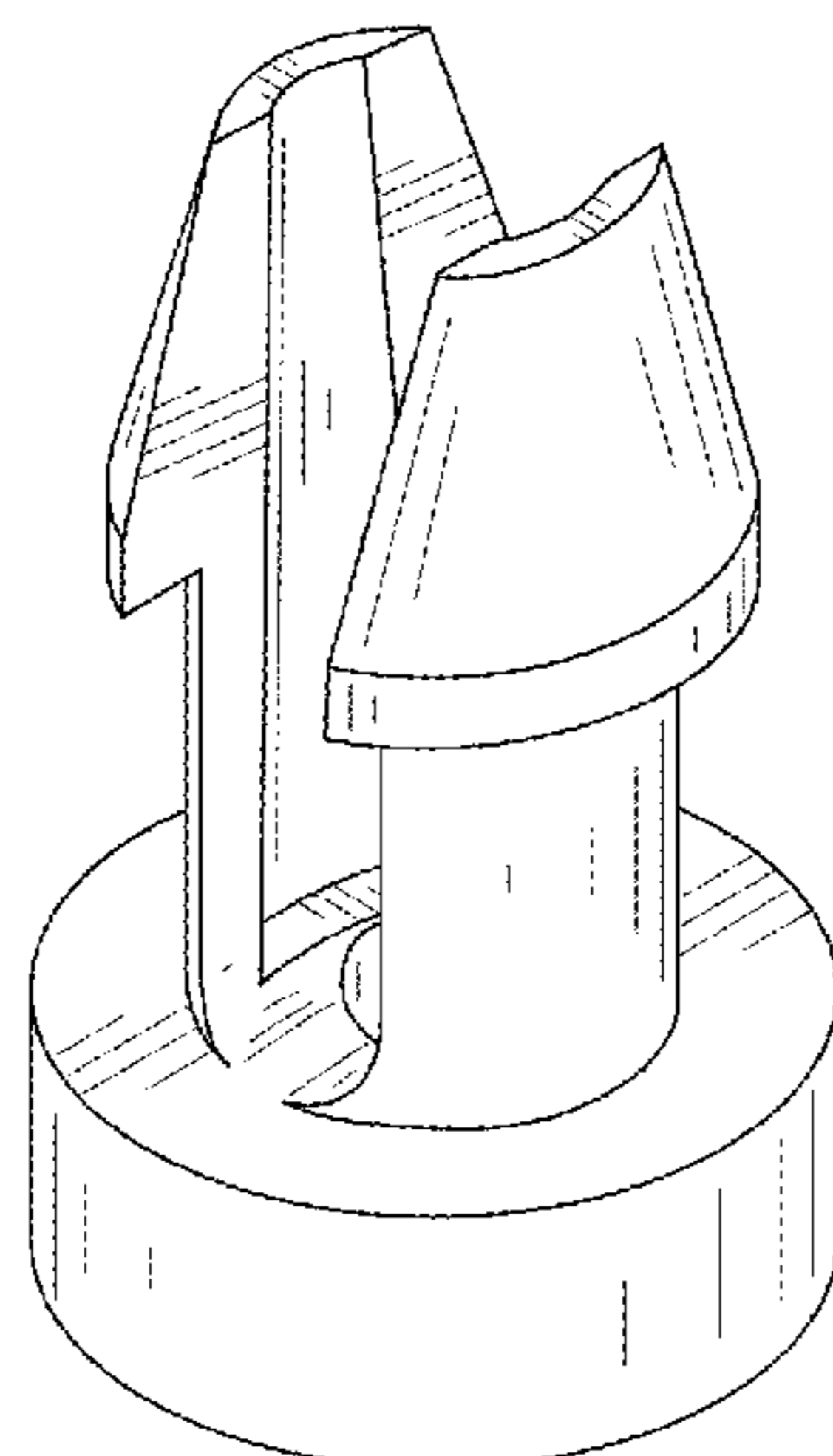
(57) **CLAIM**

The ornamental design for a connector, as shown and described.

**DESCRIPTION**

FIG. 1 is an upper, left, front perspective view of a first embodiment of a connector.  
FIG. 2 is a front elevation view of the connector of FIG. 1, the rear elevation view being the same.  
FIG. 3 is a left elevation view of the connector of FIG. 1, the right elevation view being the same.  
FIG. 4 is a top plan view of the connector of FIG. 1.  
FIG. 5 is a bottom plan view of the connector of FIG. 1.  
FIG. 6 is an upper, left, front perspective view of a second embodiment of a connector.  
FIG. 7 is a front elevation view of the connector of FIG. 6, the rear elevation view being the same.  
FIG. 8 is a left elevation view of the connector of FIG. 6, the right elevation view being the same.  
FIG. 9 is a top plan view of the connector of FIG. 6; and, FIG. 10 is a bottom plan view of the connector of FIG. 6.  
The ornamental design which is claimed is shown in solid lines in the drawings. The broken lines in the drawings form no part of the claimed design. The Connector is shown with a symbolic break in its length. The appearance of any portion of the article between the break lines forms no part of the claimed design.

**1 Claim, 4 Drawing Sheets**



(56)

References Cited

U.S. PATENT DOCUMENTS

5,547,322 A \* 8/1996 Lilja ..... A01K 3/00  
248/73  
5,580,203 A 12/1996 Read et al.  
5,706,559 A 1/1998 Oliver et al.  
5,881,989 A 3/1999 O'Brien et al.  
D416,189 S \* 11/1999 Bollman ..... D8/382  
6,086,306 A \* 7/2000 Bakker ..... F16B 19/004  
24/297  
6,301,113 B1 \* 10/2001 Guerrero ..... H01L 23/4093  
257/719  
D451,789 S \* 12/2001 Hsieh ..... D13/179  
6,634,843 B1 10/2003 Tarnow et al.  
7,073,230 B2 7/2006 Boville  
7,496,993 B2 3/2009 Kosidlo et al.  
D592,255 S \* 5/2009 Tak ..... D21/480  
D602,770 S \* 10/2009 Fernandez ..... D8/376  
D648,210 S \* 11/2011 Reynoso ..... D8/382  
8,122,572 B2 2/2012 Waddell et al.  
D664,027 S \* 7/2012 Vosika ..... D8/382

D675,906 S \* 2/2013 Erickson ..... D8/386  
D720,123 S \* 12/2014 Frydlewski ..... D2/946  
D722,492 S \* 2/2015 Ramsauer ..... D8/395  
D763,673 S \* 8/2016 Moreau ..... D8/395  
D793,216 S \* 8/2017 Divers ..... D8/396  
10,273,995 B2 \* 4/2019 Pulsipher ..... F16B 5/0692  
2004/0091332 A1 \* 5/2004 Kuntze ..... F16B 5/0642  
411/107  
2006/0200954 A1 9/2006 Chung  
2008/0104805 A1 \* 5/2008 Cameron ..... B60P 7/0823  
24/346  
2014/0345049 A1 11/2014 Gash  
2017/0119108 A1 \* 5/2017 Schlick ..... A44B 99/005  
2017/0184142 A1 6/2017 Pulsipher

OTHER PUBLICATIONS

Essentra Components, snap lock pin SLP, web page, <http://www.essentracomponents.co.za/snap-lock-pin-slp>, Jul. 28, 2016.  
Office Action dated Jun. 25, 2018 for U.S. Appl. No. 15/223,457.

\* cited by examiner

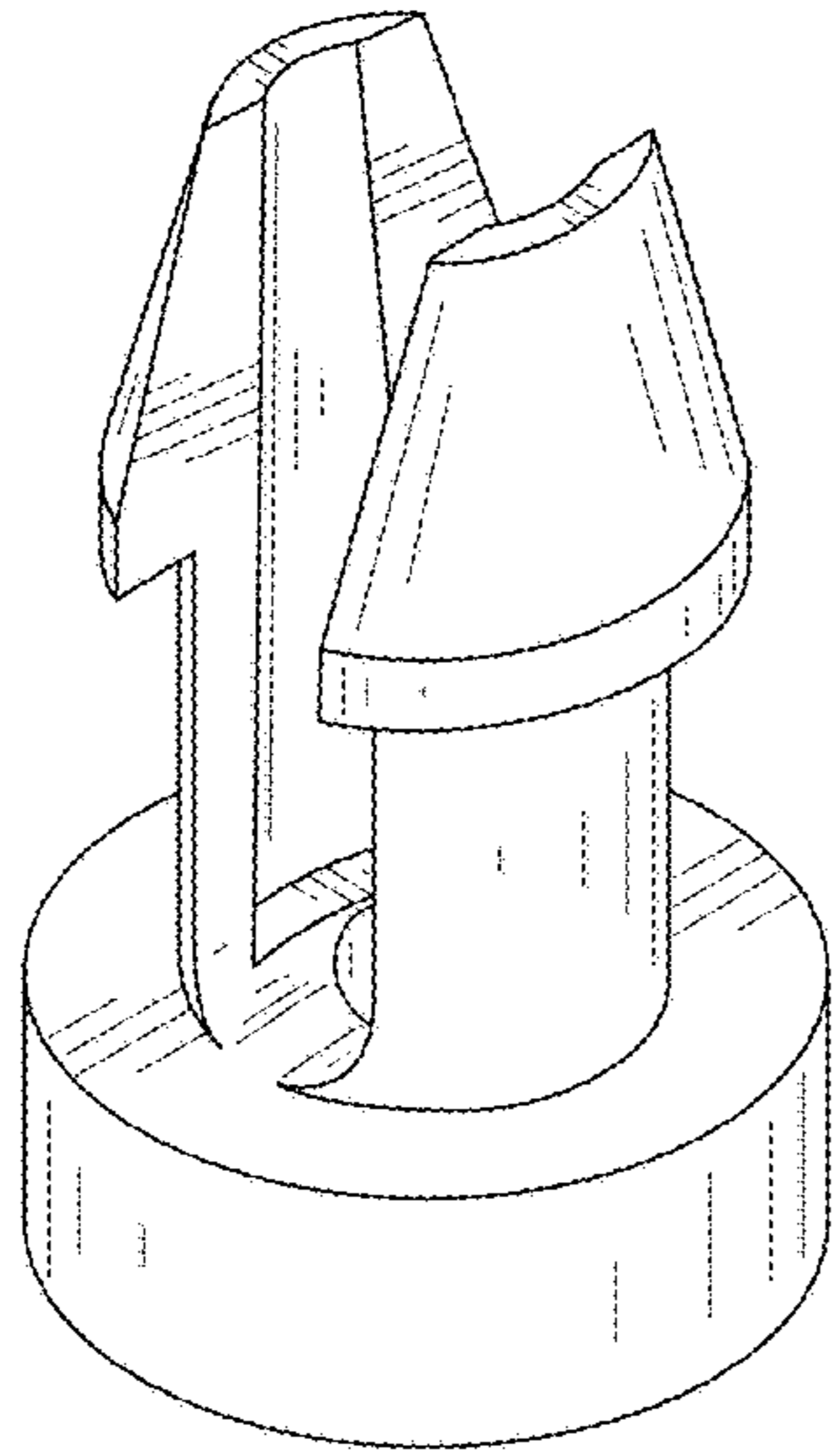


FIG. 1

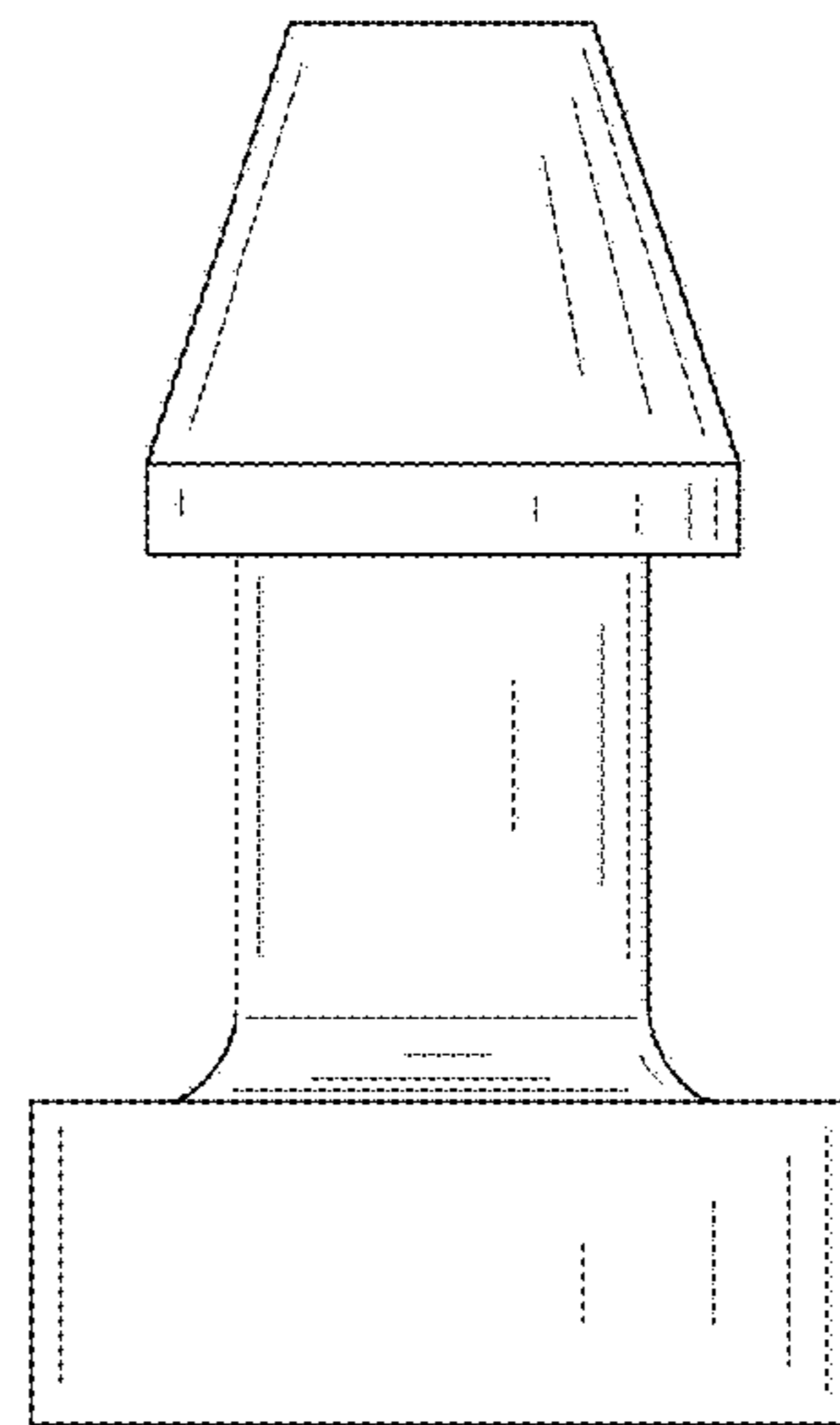


FIG. 2

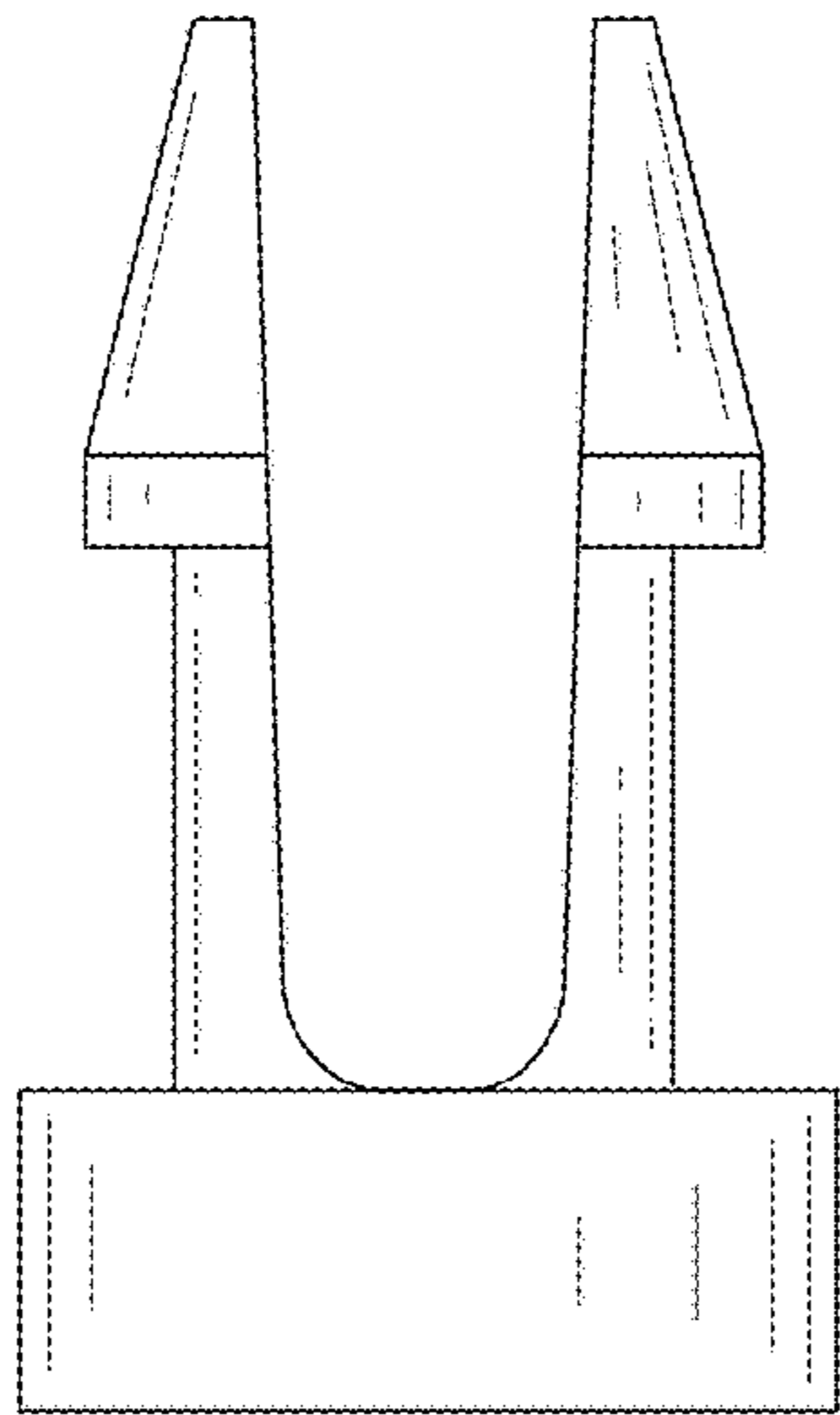


FIG. 3

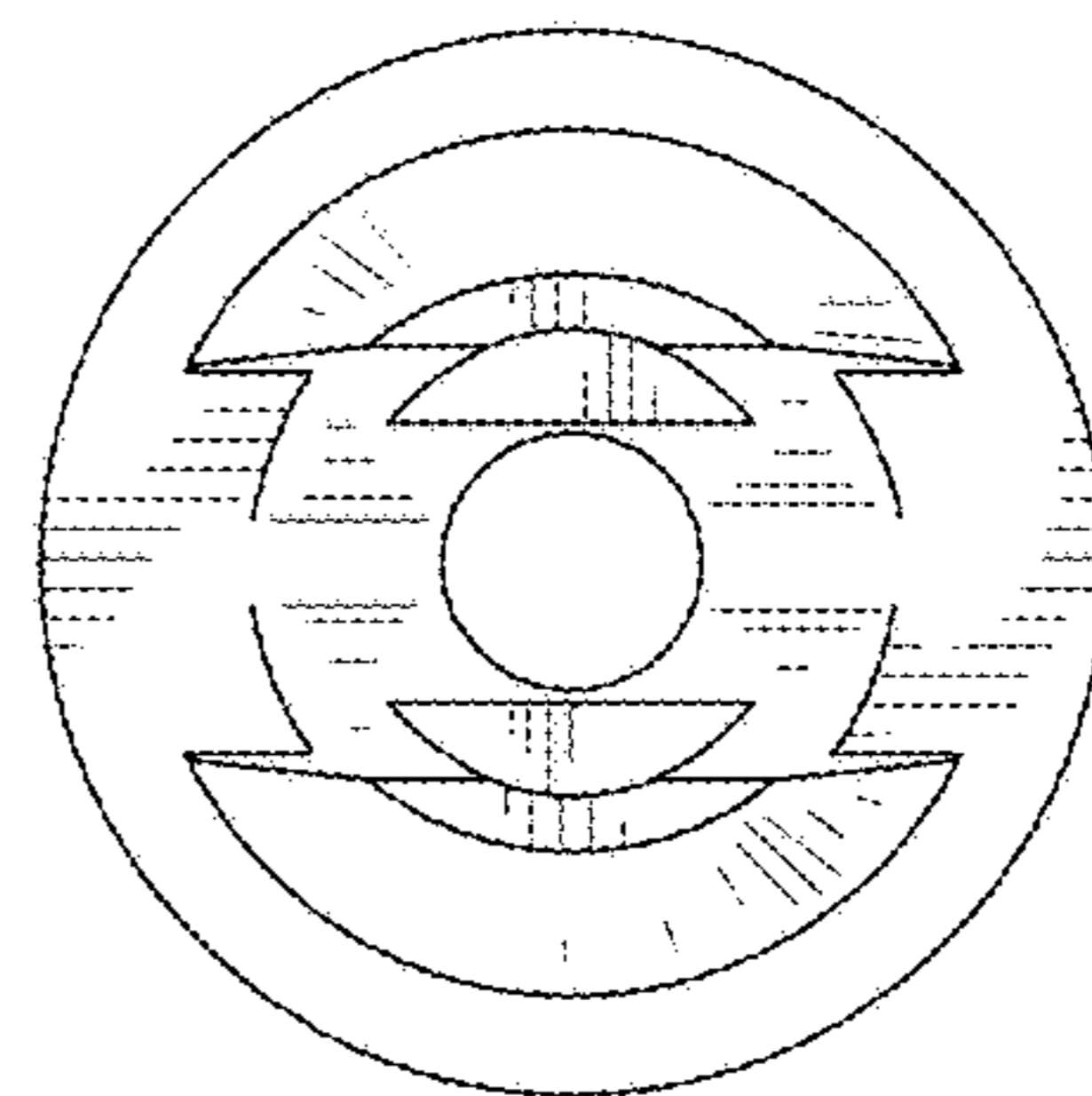


FIG. 4

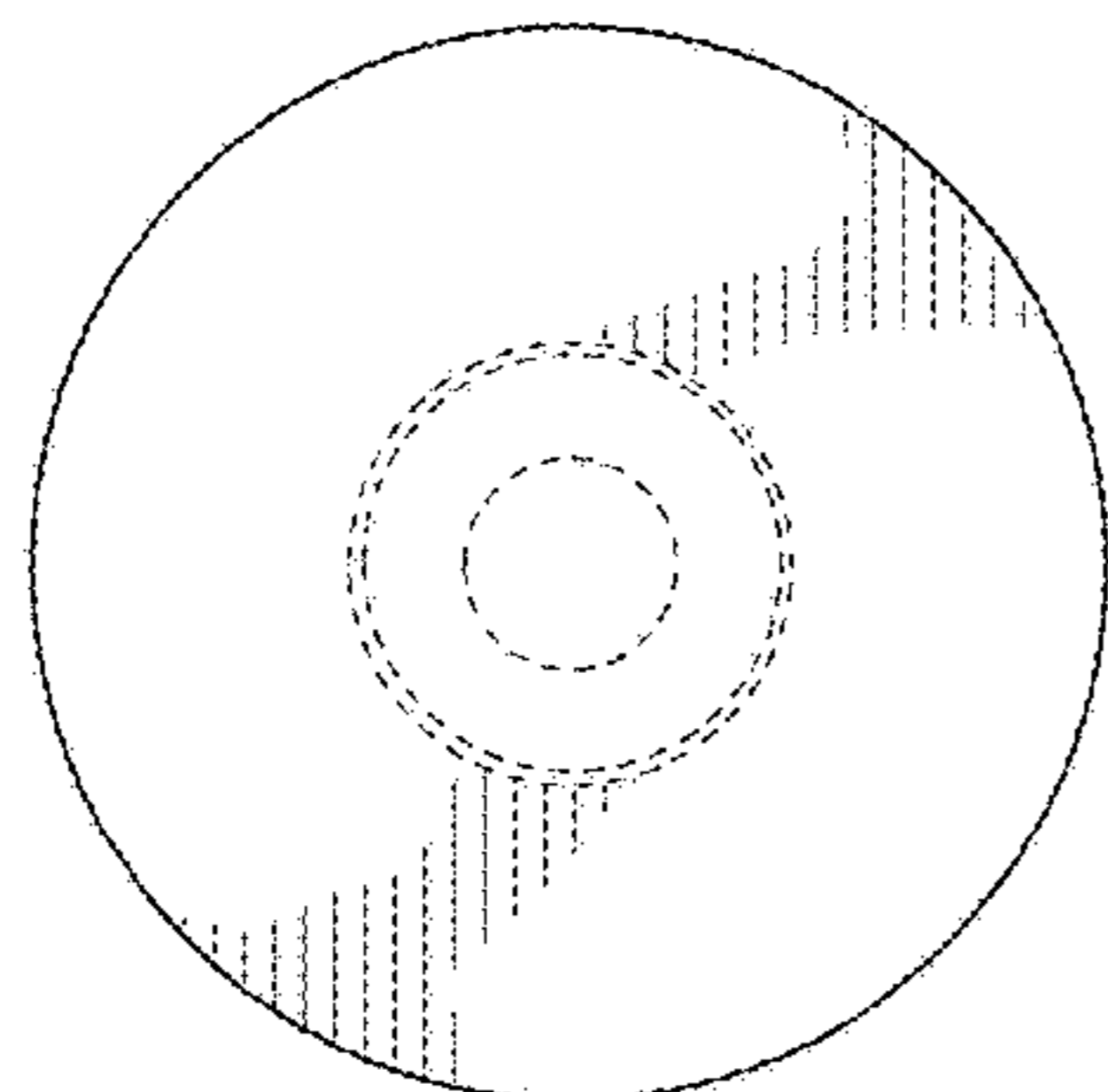


FIG. 5

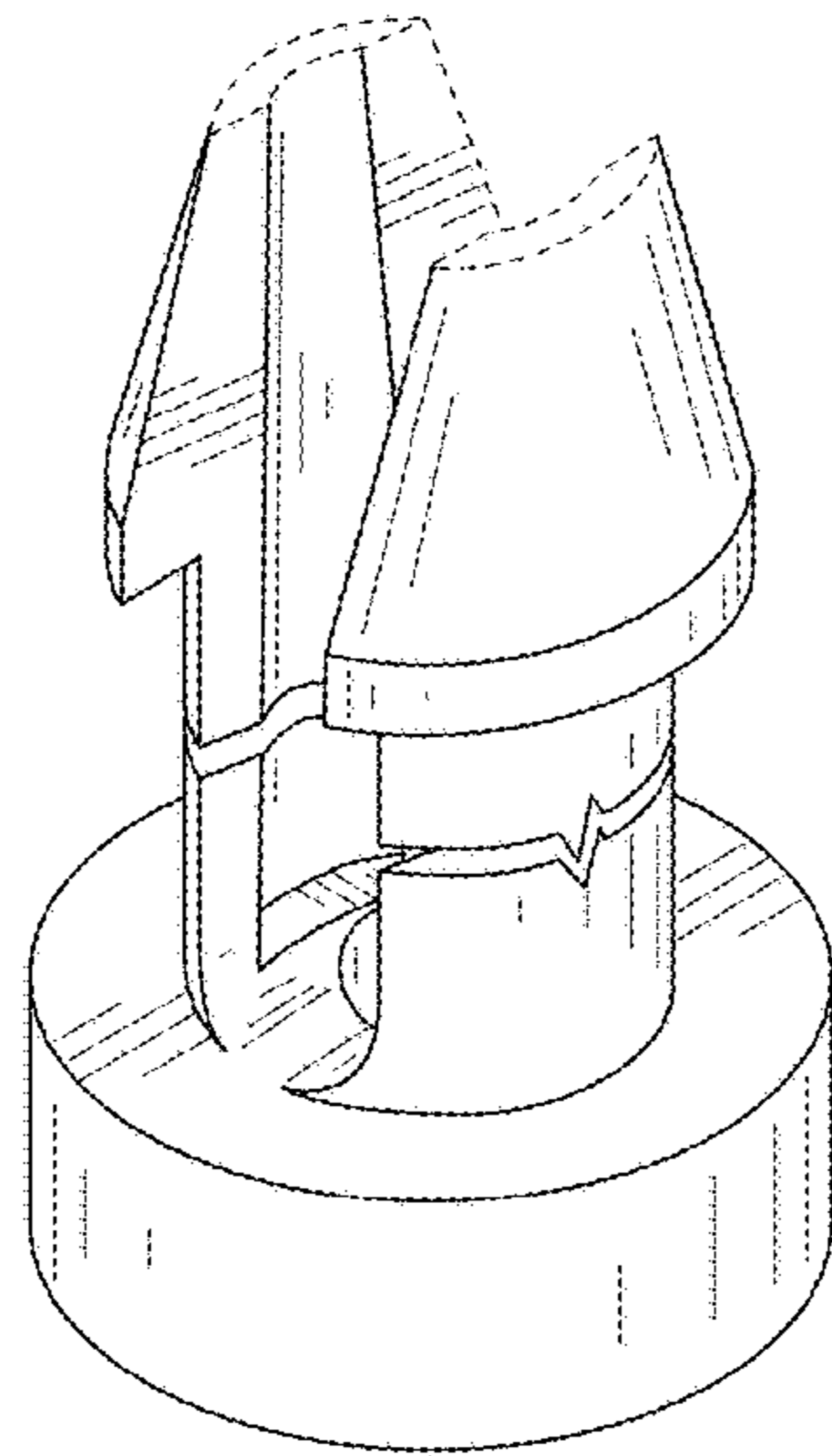


FIG. 6

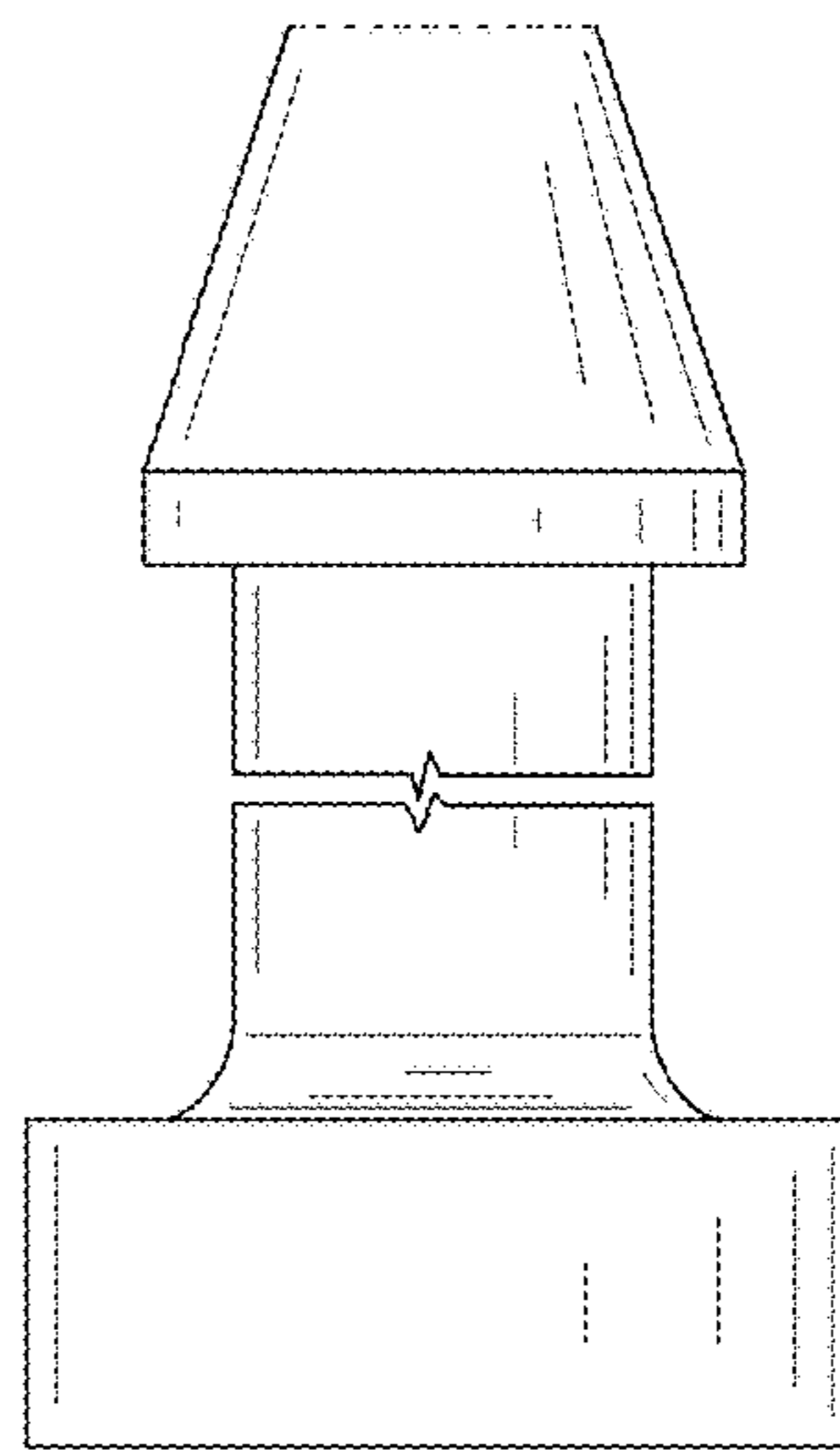


FIG. 7

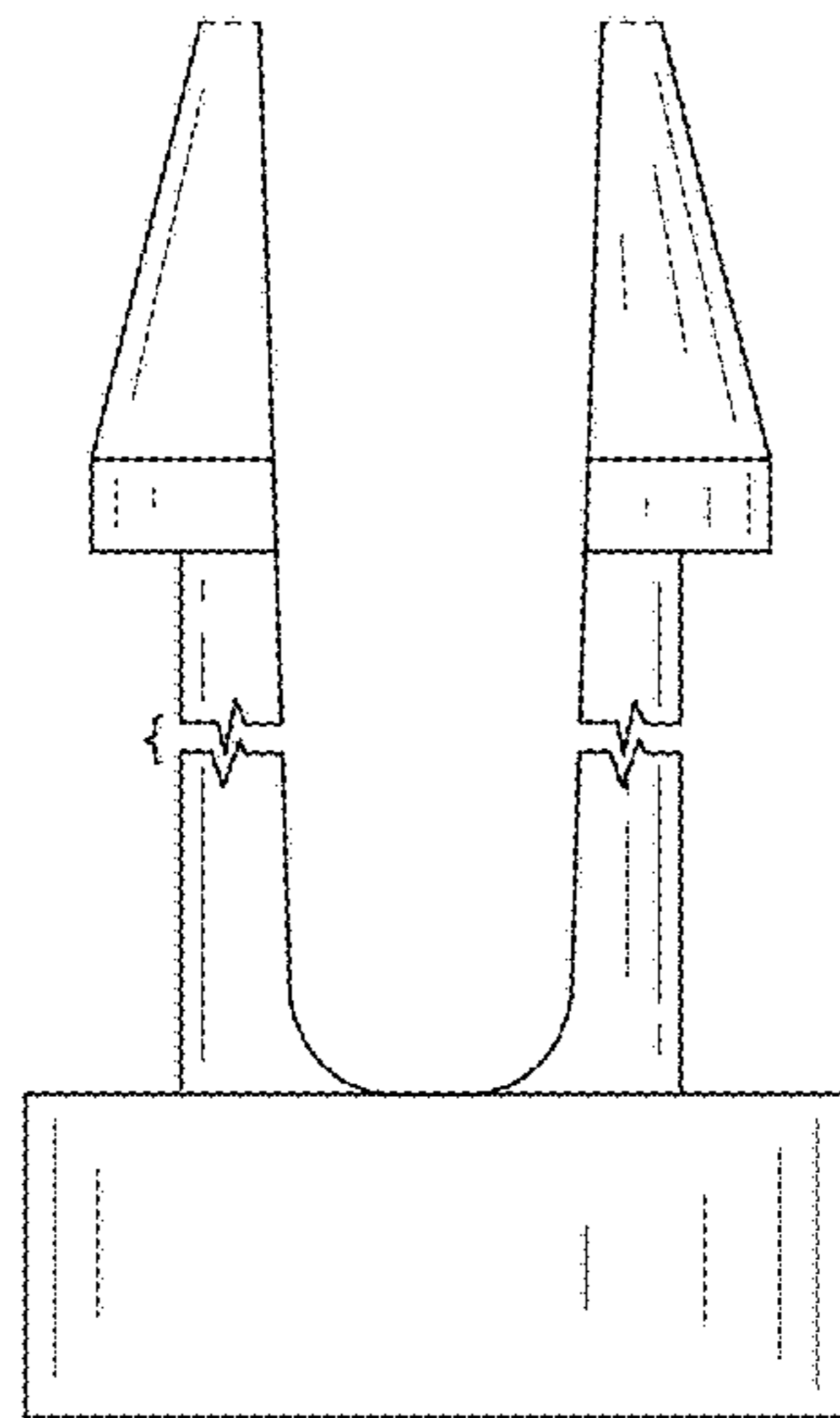


FIG. 8

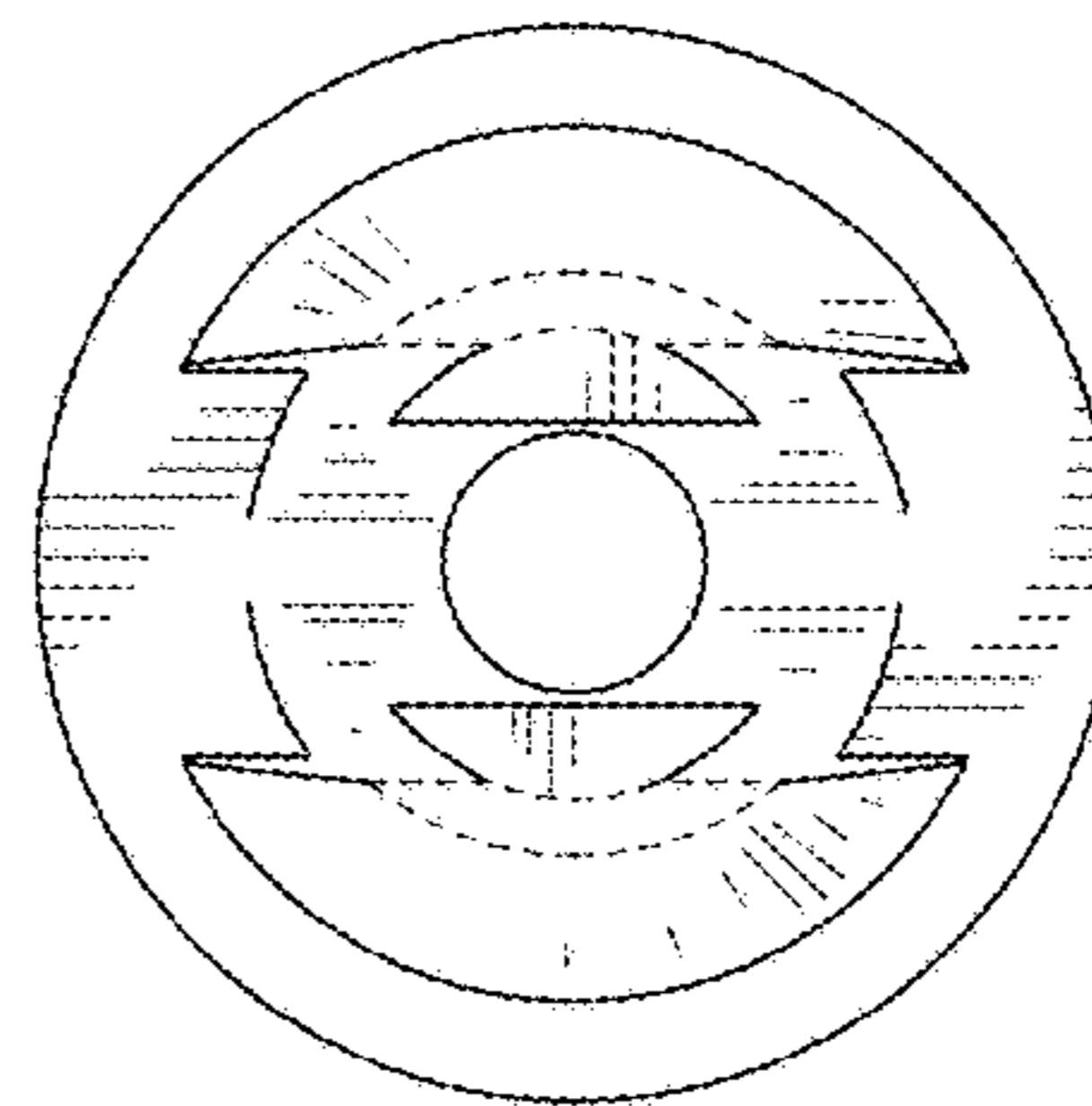


FIG. 9

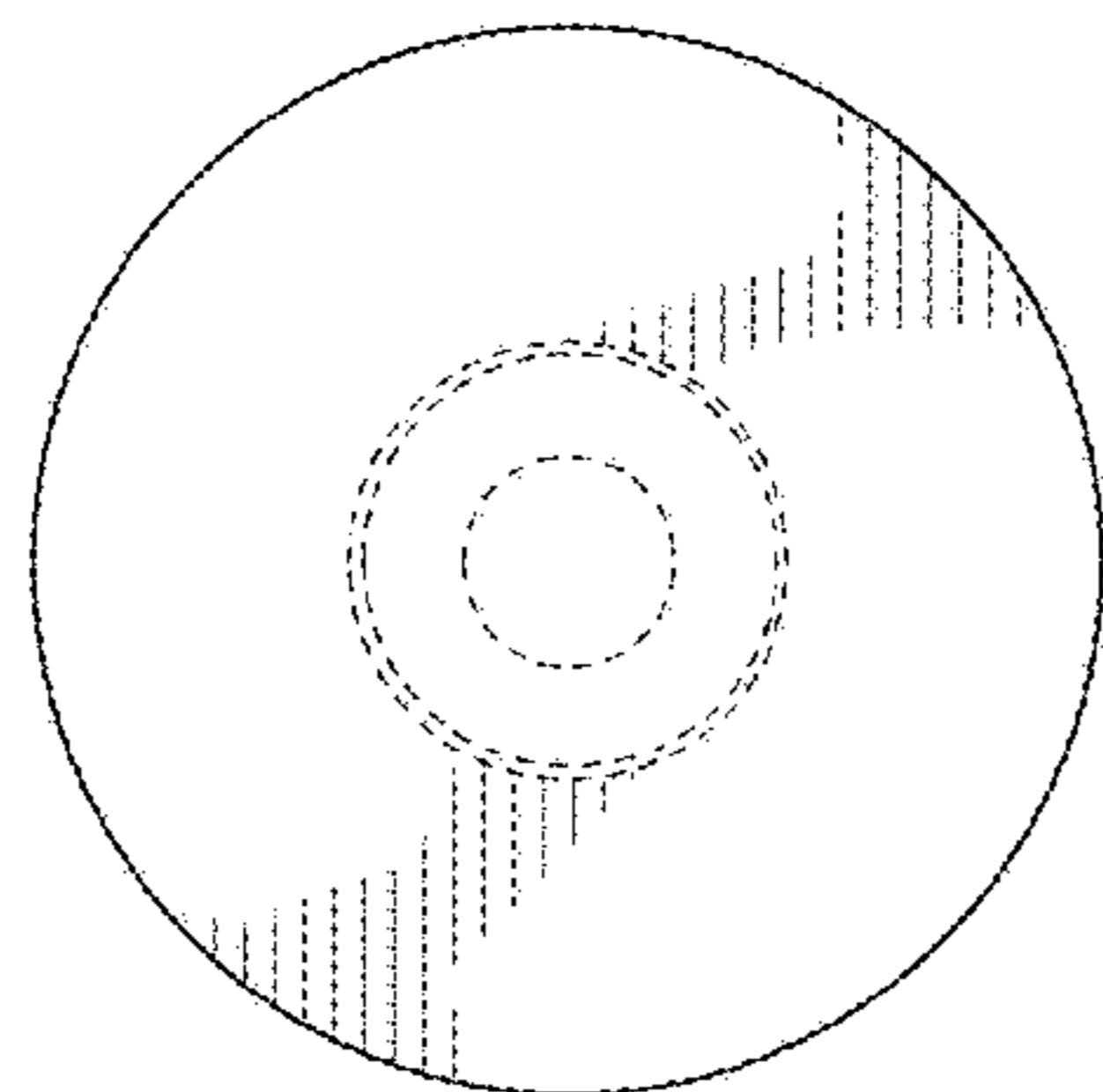


FIG. 10