



US00D859969S

(12) **United States Design Patent** (10) **Patent No.:** **US D859,969 S**  
**Yu** (45) **Date of Patent:** **\*\* Sep. 17, 2019**

(54) **BALL PIN**  
(71) Applicant: **Wan-Sheng Yu, Taipei (TW)**  
(72) Inventor: **Wan-Sheng Yu, Taipei (TW)**  
(\*\*) Term: **15 Years**  
(21) Appl. No.: **29/629,358**  
(22) Filed: **Dec. 13, 2017**  
(51) **LOC (12) Cl.** ..... **08-08**  
(52) **U.S. Cl.**  
USPC ..... **D8/387; D15/7**  
(58) **Field of Classification Search**  
USPC ..... D8/349, 354, 387, 391, 393, 388, 499;  
D24/112, 127, 128, 130; D21/698, 781,  
D21/788; D15/7  
CPC ... A63B 41/12; A63B 39/04; B29L 2031/759;  
B29L 2031/7544; Y10T 137/3584  
See application file for complete search history.

(56) **References Cited**  
U.S. PATENT DOCUMENTS  
2,233,096 A \* 2/1941 Goldsmith ..... F16K 15/202  
137/223  
3,007,483 A \* 11/1961 Keefe ..... B60C 29/00  
116/DIG. 42  
D241,413 S \* 9/1976 Drake ..... D8/393  
4,043,356 A \* 8/1977 Morris ..... A63B 41/12  
137/320  
4,568,081 A \* 2/1986 Martin ..... F16K 15/202  
473/611  
D343,397 S \* 1/1994 Wang ..... D15/7  
D357,313 S \* 4/1995 Wortrich ..... D24/112  
D399,557 S \* 10/1998 Hood ..... D24/112  
D497,509 S \* 10/2004 Nelson ..... D24/108  
D630,733 S \* 1/2011 Ahlgren ..... D24/130  
D740,328 S \* 10/2015 Maw ..... D15/7

D779,056 S \* 2/2017 Brannon ..... D24/127  
D816,217 S \* 4/2018 Naughton ..... D24/130  
D820,671 S \* 6/2018 Yu ..... D8/387  
D833,606 S \* 11/2018 Giraud ..... D24/130  
D837,974 S \* 1/2019 Hannon ..... D24/112  
2003/0004496 A1\* 1/2003 Tanghoj ..... A61M 25/0009  
604/544  
2004/0159350 A1\* 8/2004 Lai ..... F16K 15/202  
137/223  
2008/0038119 A1\* 2/2008 Kan ..... F04B 33/005  
417/63  
2010/0167851 A1\* 7/2010 Burke ..... A63B 41/00  
473/610  
2014/0216570 A1\* 8/2014 Connors ..... F16K 15/207  
137/230  
2015/0129084 A1\* 5/2015 Maw ..... A63B 41/12  
141/329  
2018/0008869 A1\* 1/2018 Yu ..... A63B 41/12

\* cited by examiner

*Primary Examiner* — Sandra S Snapp  
*Assistant Examiner* — Ieisha N Price

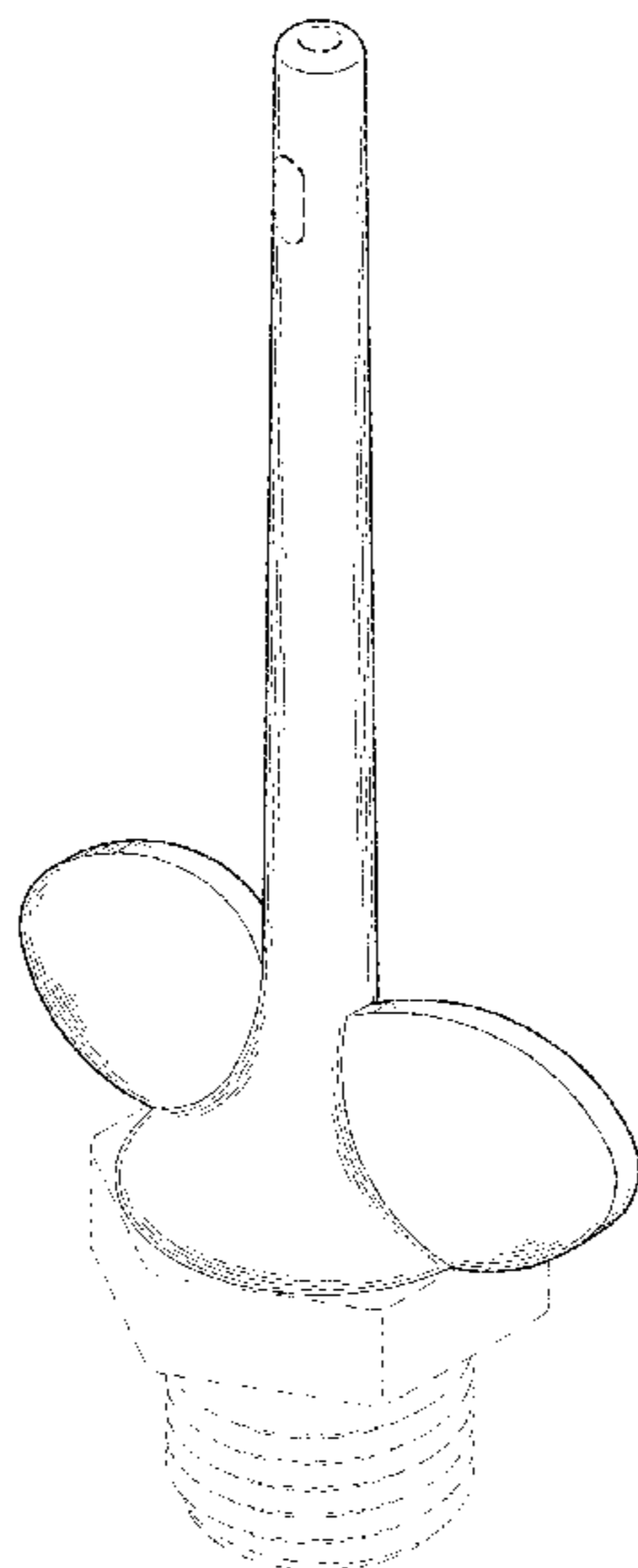
(57) **CLAIM**

The ornamental design for a ball pin, as shown and described.

**DESCRIPTION**

FIG. 1 is a perspective view of a ball pin according to my new design;  
FIG. 2 is a front elevation view thereof;  
FIG. 3 is a rear elevation view thereof;  
FIG. 4 is a left side elevation view thereof;  
FIG. 5 is a right side elevation view thereof;  
FIG. 6 is a top plan view thereof; and,  
FIG. 7 is a bottom plan view thereof.  
The portions of the drawings appearing in broken lines show portions of a ball pin that forms no part of the claimed.

**1 Claim, 6 Drawing Sheets**



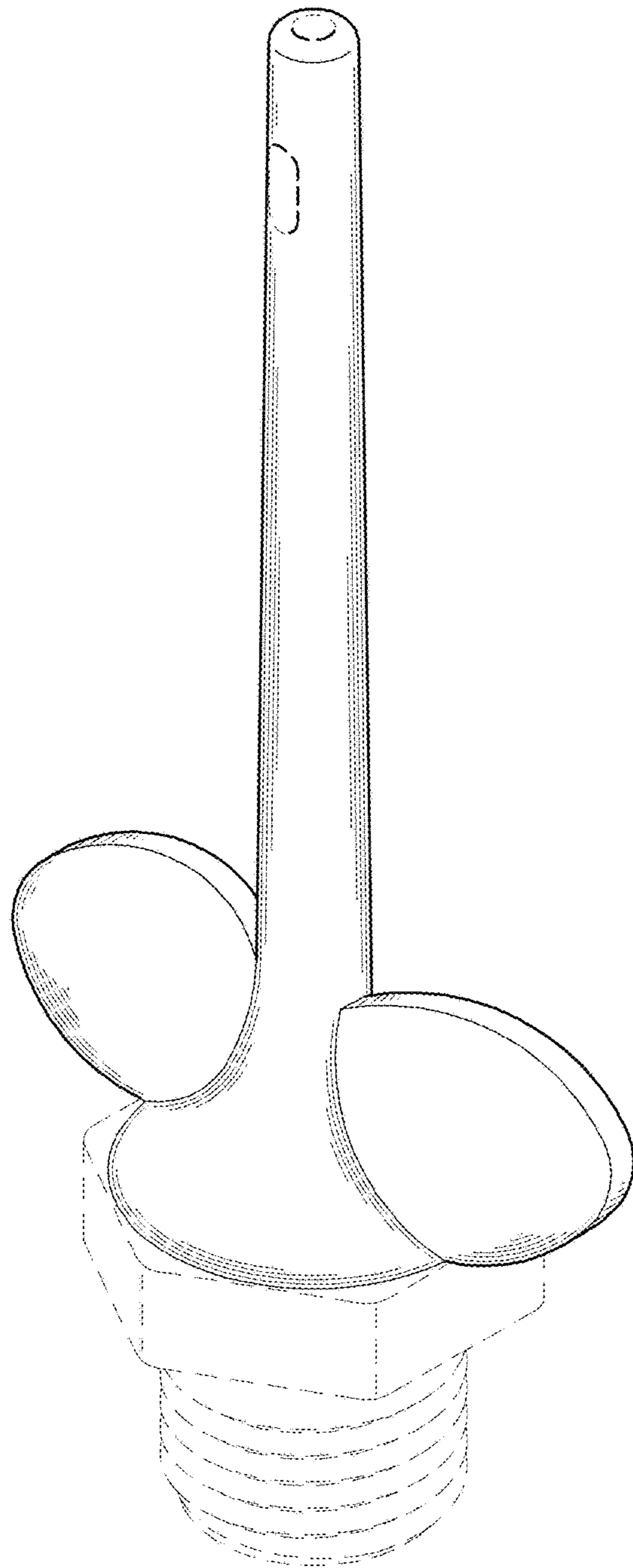


FIG. 1

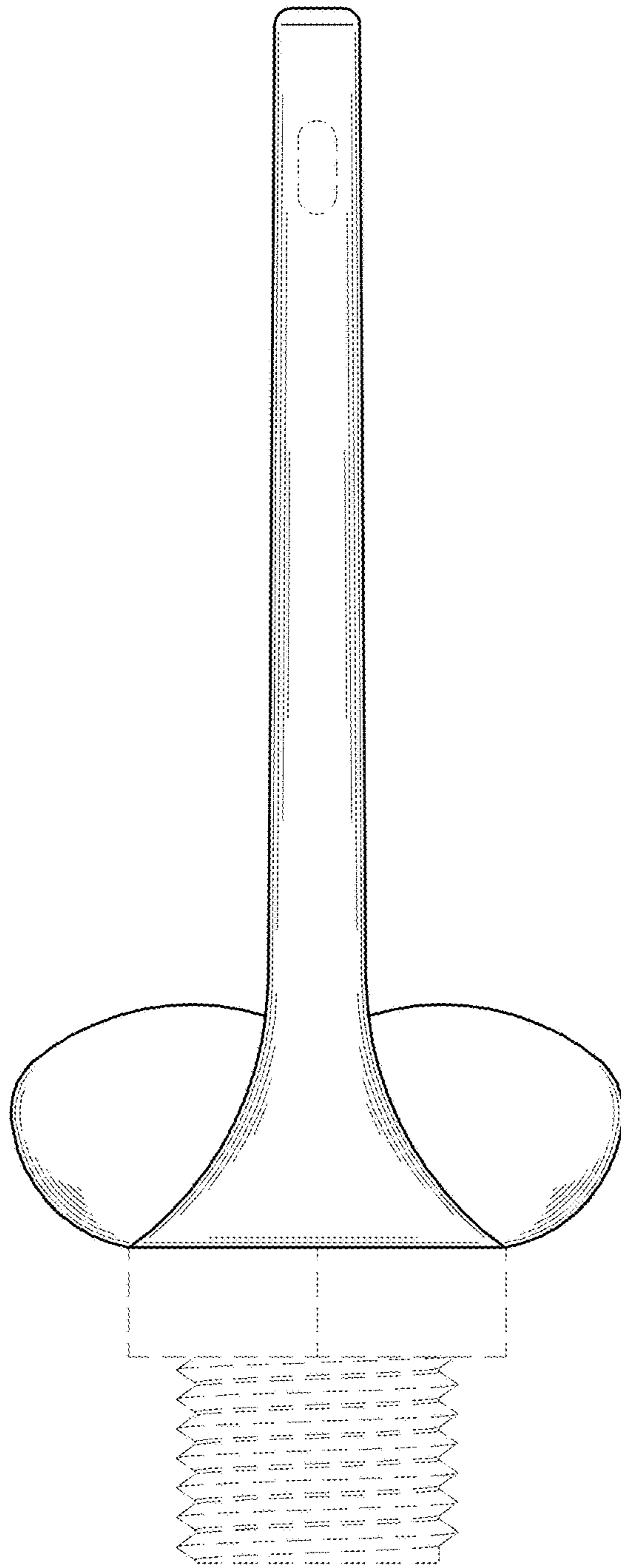


FIG.2

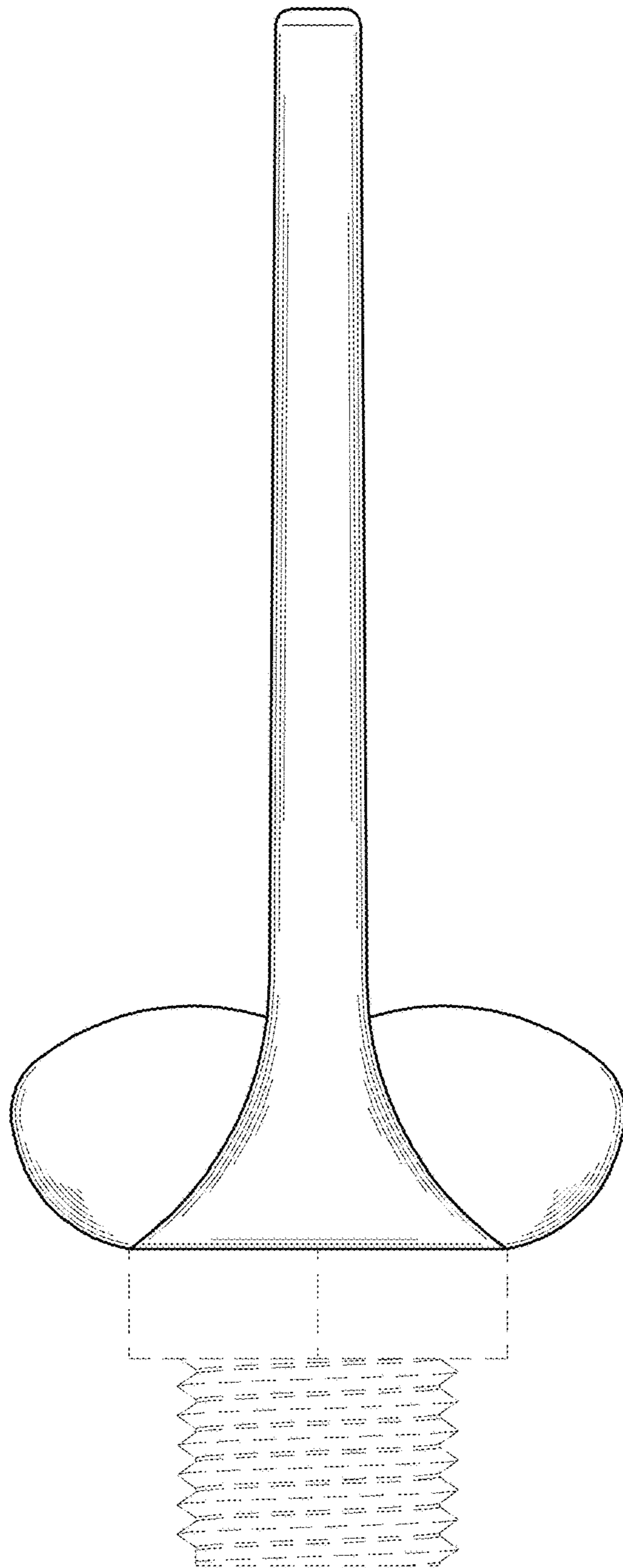


FIG.3

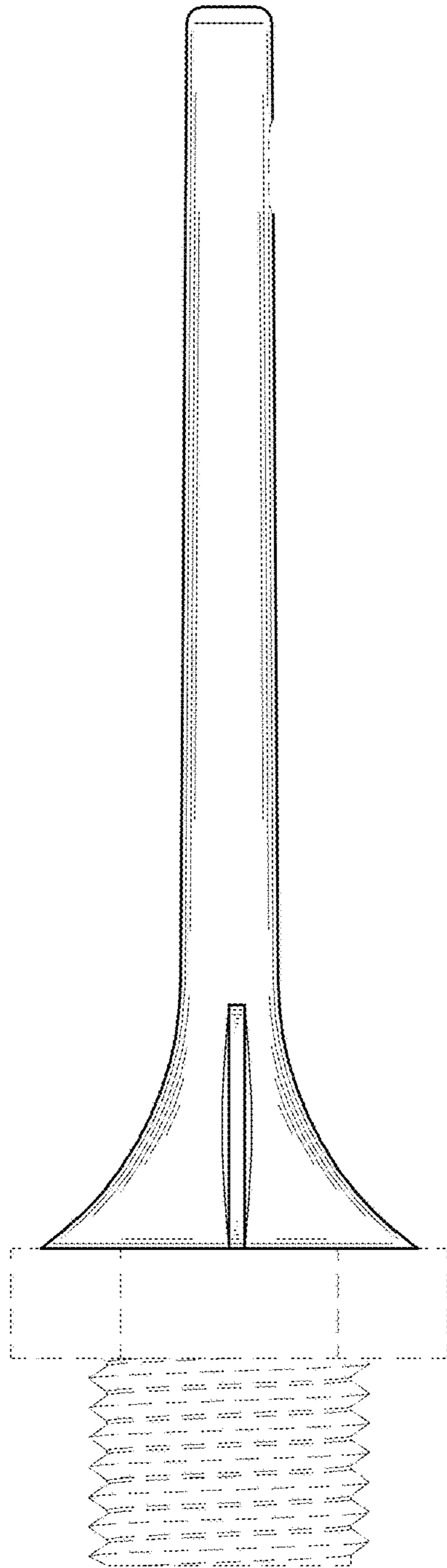


FIG.4

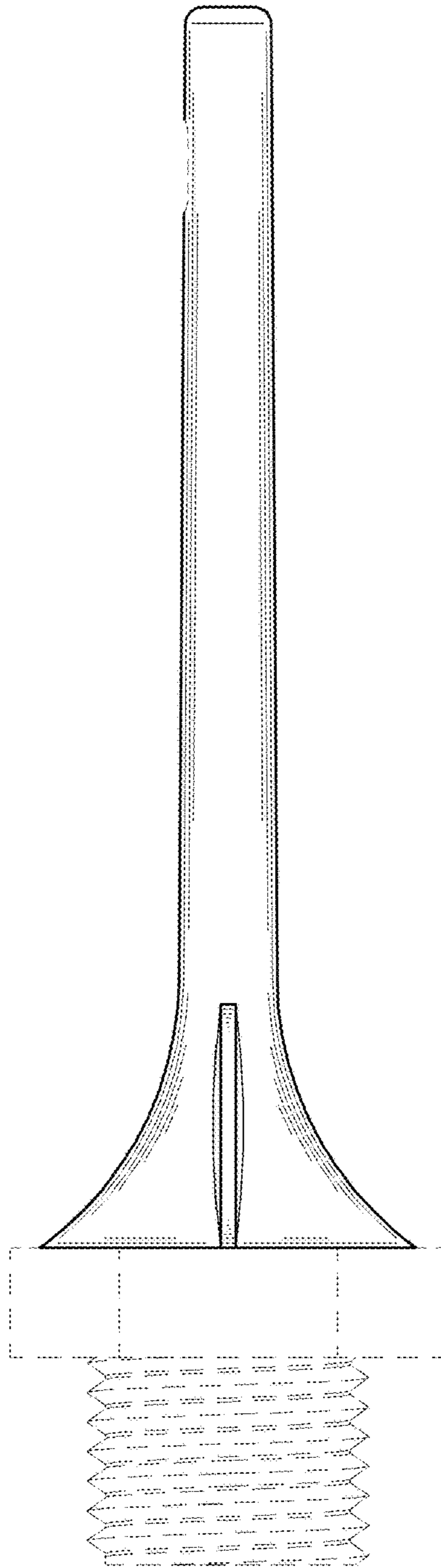


FIG.5



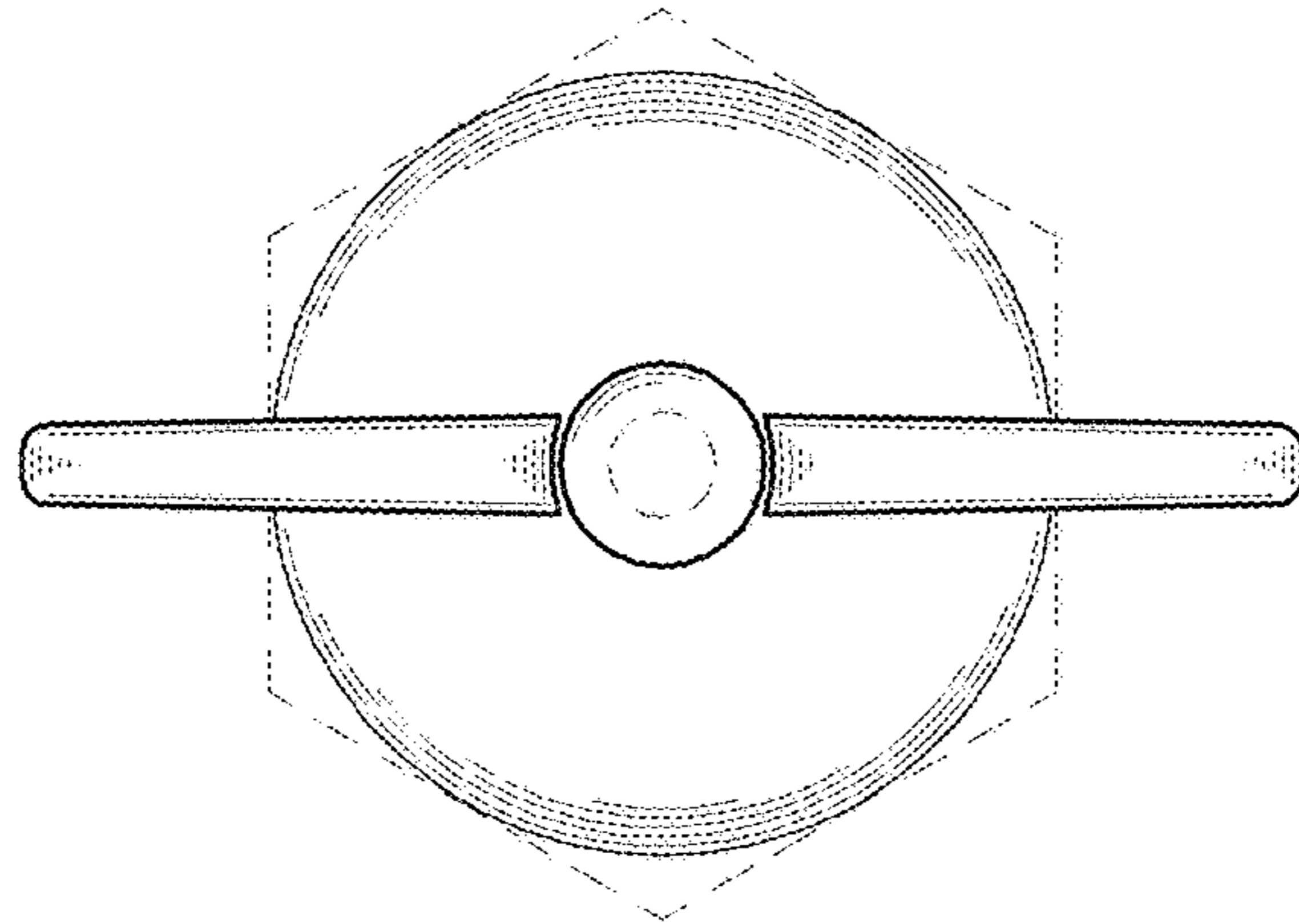


FIG. 6

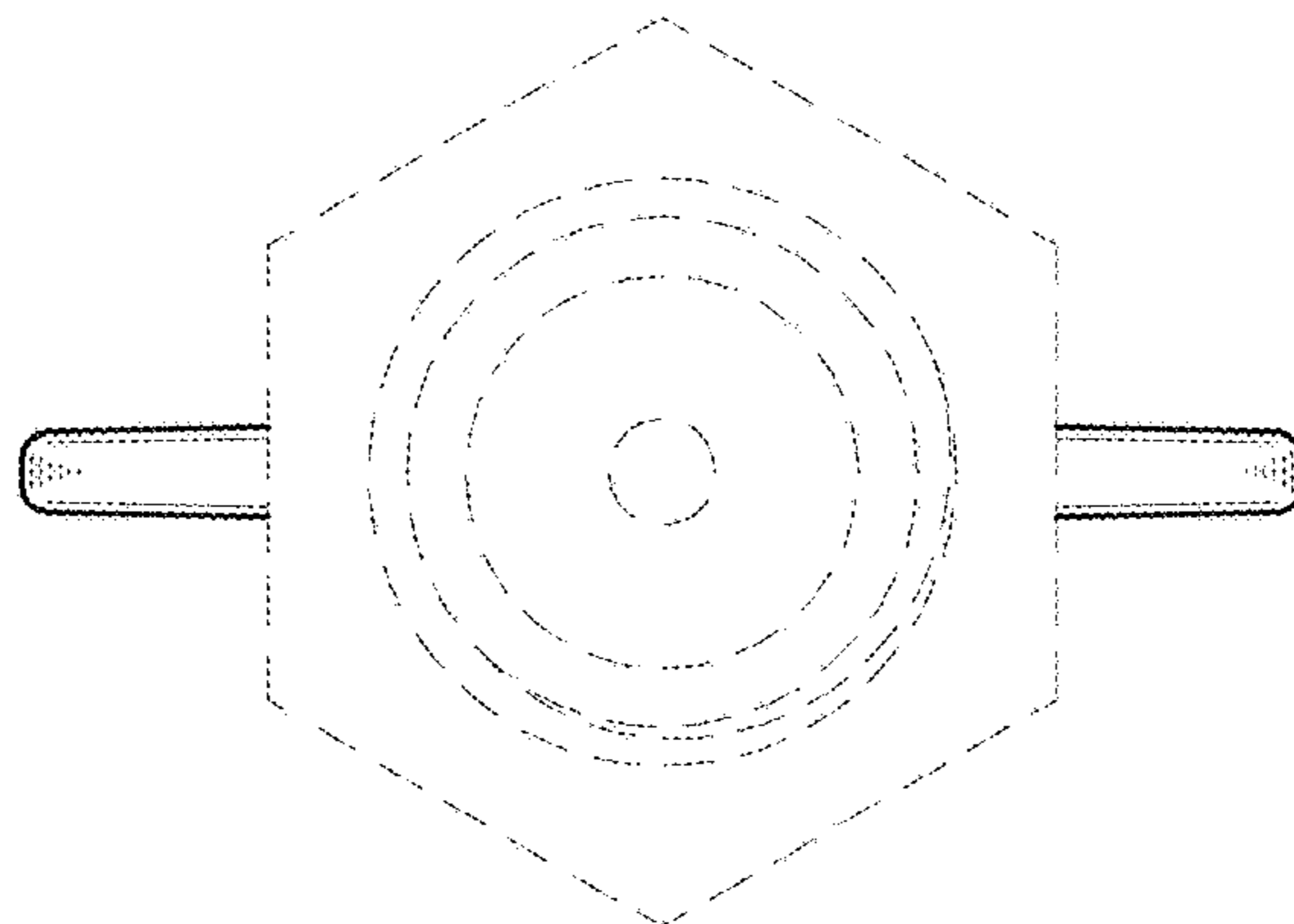


FIG. 7