



US00D859968S

(12) **United States Design Patent** (10) **Patent No.:** **US D859,968 S**
West (45) **Date of Patent:** **** Sep. 17, 2019**

- (54) **COUPLING**
- (71) Applicant: **Tesla, Inc.**, Palo Alto, CA (US)
- (72) Inventor: **Jack Raymond West**, San Rafael, CA (US)
- (73) Assignee: **Tesla, Inc.**, Palo Alto, CA (US)
- (**) Term: **15 Years**
- (21) Appl. No.: **29/682,989**
- (22) Filed: **Mar. 8, 2019**

9,347,691	B2 *	5/2016	West	H02S 20/30
9,863,665	B2 *	1/2018	West	H02S 20/23
10,082,242	B1 *	9/2018	Huang	F16B 2/10
D844,419	S *	4/2019	West	D8/382
2012/0234378	A1 *	9/2012	West	H02S 20/23
					136/251
2015/0033658	A1 *	2/2015	West	F24S 25/67
					52/582.2
2015/0180404	A1 *	6/2015	Braunstein	F24S 25/636
					136/251
2017/0155355	A1 *	6/2017	Seery	H02S 20/24
2017/0168375	A1 *	6/2017	Lajoie	G03B 17/561
2018/0347749	A1 *	12/2018	Carnevali	F16M 11/2085

* cited by examiner

Primary Examiner — Sandra S Snapp

Assistant Examiner — Ieisha N Price

(74) *Attorney, Agent, or Firm* — Kilpatrick Townsend & Stockton LLP

Related U.S. Application Data

- (63) Continuation of application No. 29/574,951, filed on Aug. 19, 2016, now Pat. No. Des. 844,419.
- (51) **LOC (12) Cl.** **08-08**
- (52) **U.S. Cl.**
USPC **D8/382**
- (58) **Field of Classification Search**
USPC D8/14, 71, 382, 349, 354; D14/432, 433
CPC H02S 20/30; H02S 20/10; H02S 20/23;
H02S 20/24; F16M 13/022; F16M 13/02;
Y02E 10/47
See application file for complete search history.

(57) **CLAIM**

The ornamental design for a coupling, as shown and described.

DESCRIPTION

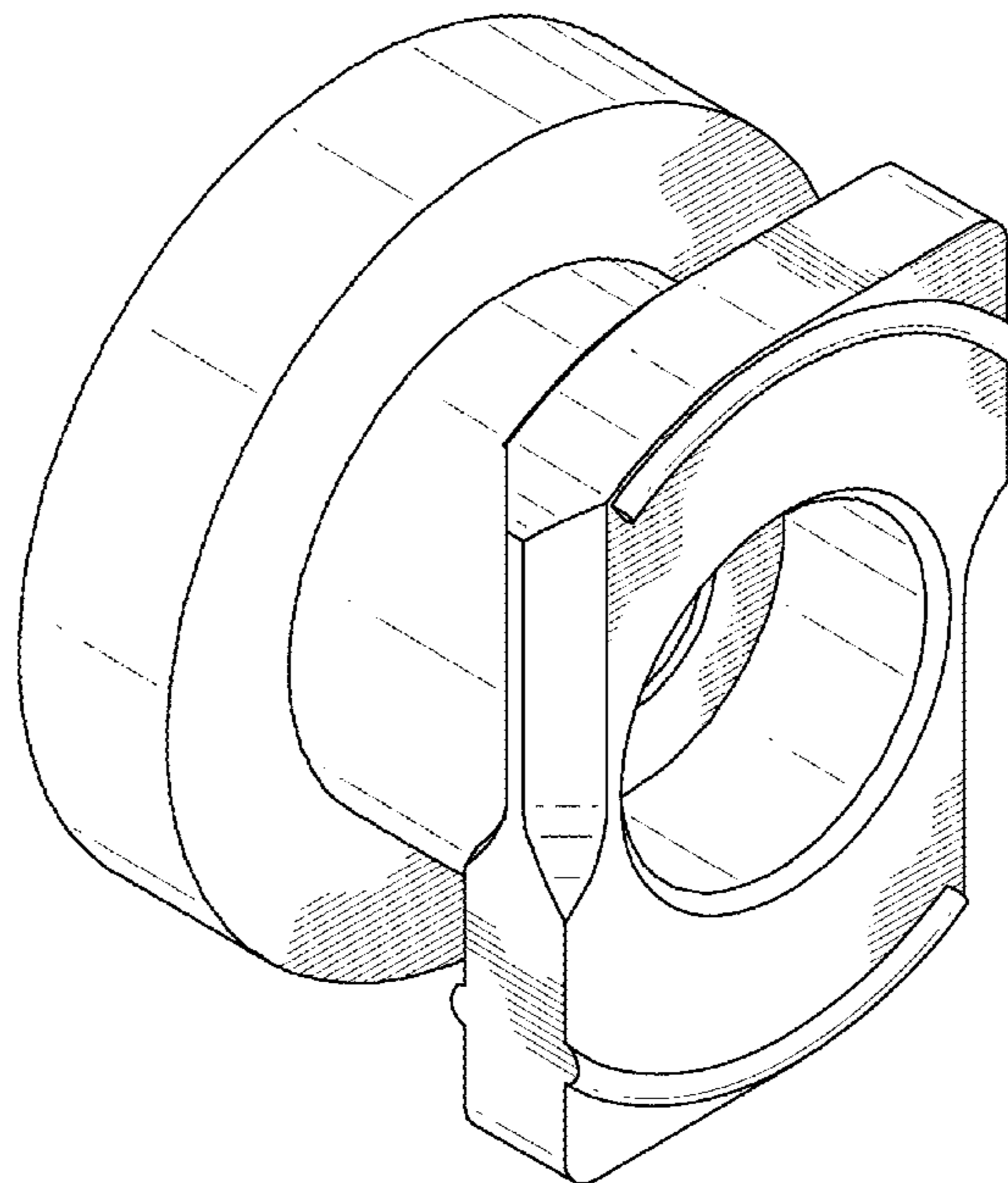
FIG. 1 is a top front perspective view of a coupling showing the claimed design;
FIG. 2 is a bottom rear perspective view thereof;
FIG. 3 is a front view thereof;
FIG. 4 is a rear view thereof;
FIG. 5 is a left side view thereof;
FIG. 6 is a right side view thereof;
FIG. 7 is a top view thereof; and,
FIG. 8 is a bottom view thereof.

(56) **References Cited**

U.S. PATENT DOCUMENTS

4,601,378	A *	7/1986	Pierce	F16M 5/00
					192/115
D564,344	S *	3/2008	Nakazato	D8/382
D672,722	S *	12/2012	Kreitzer	D13/133
D695,600	S *	12/2013	Fujioka	D8/382

1 Claim, 8 Drawing Sheets



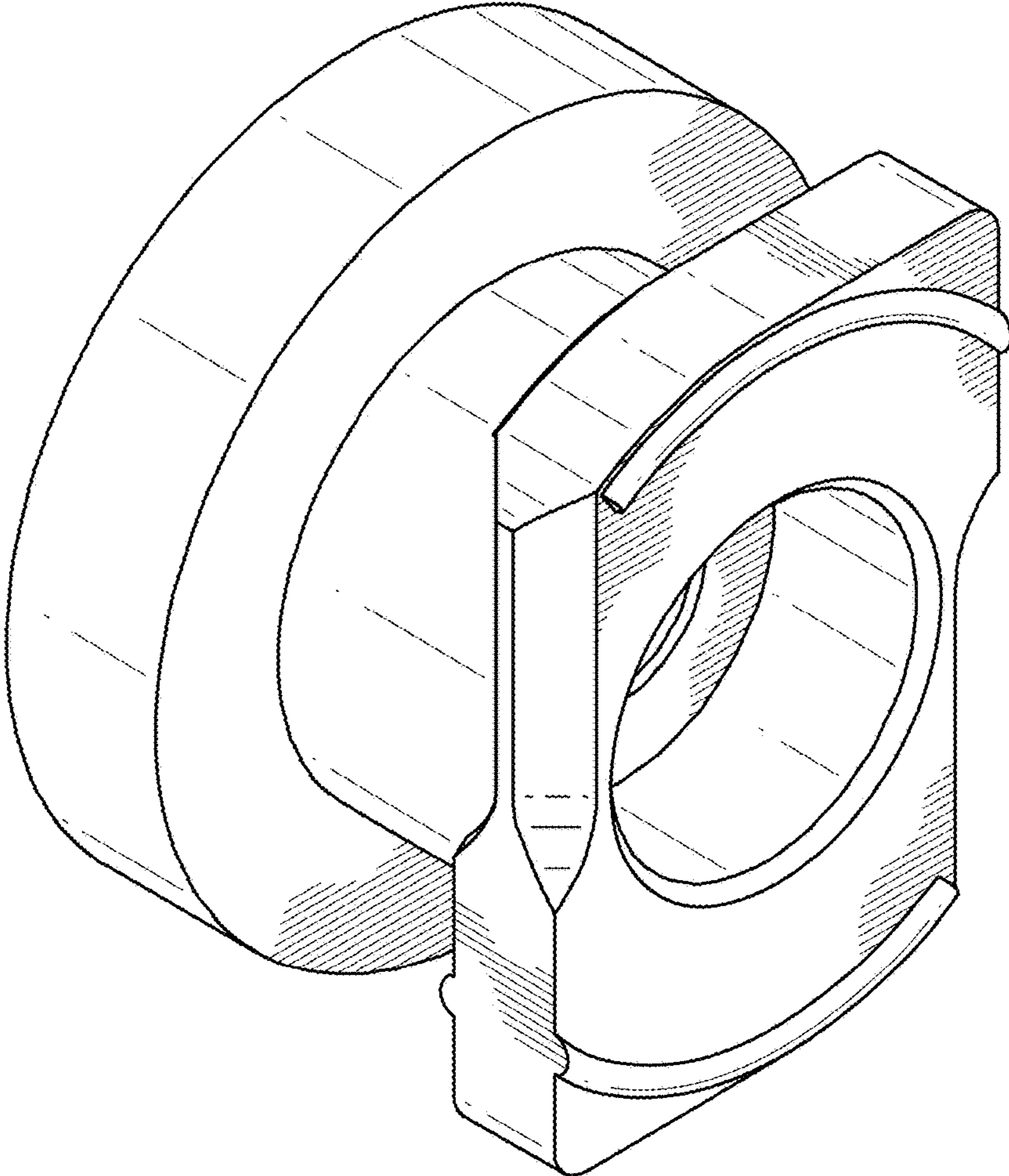


FIG. 1

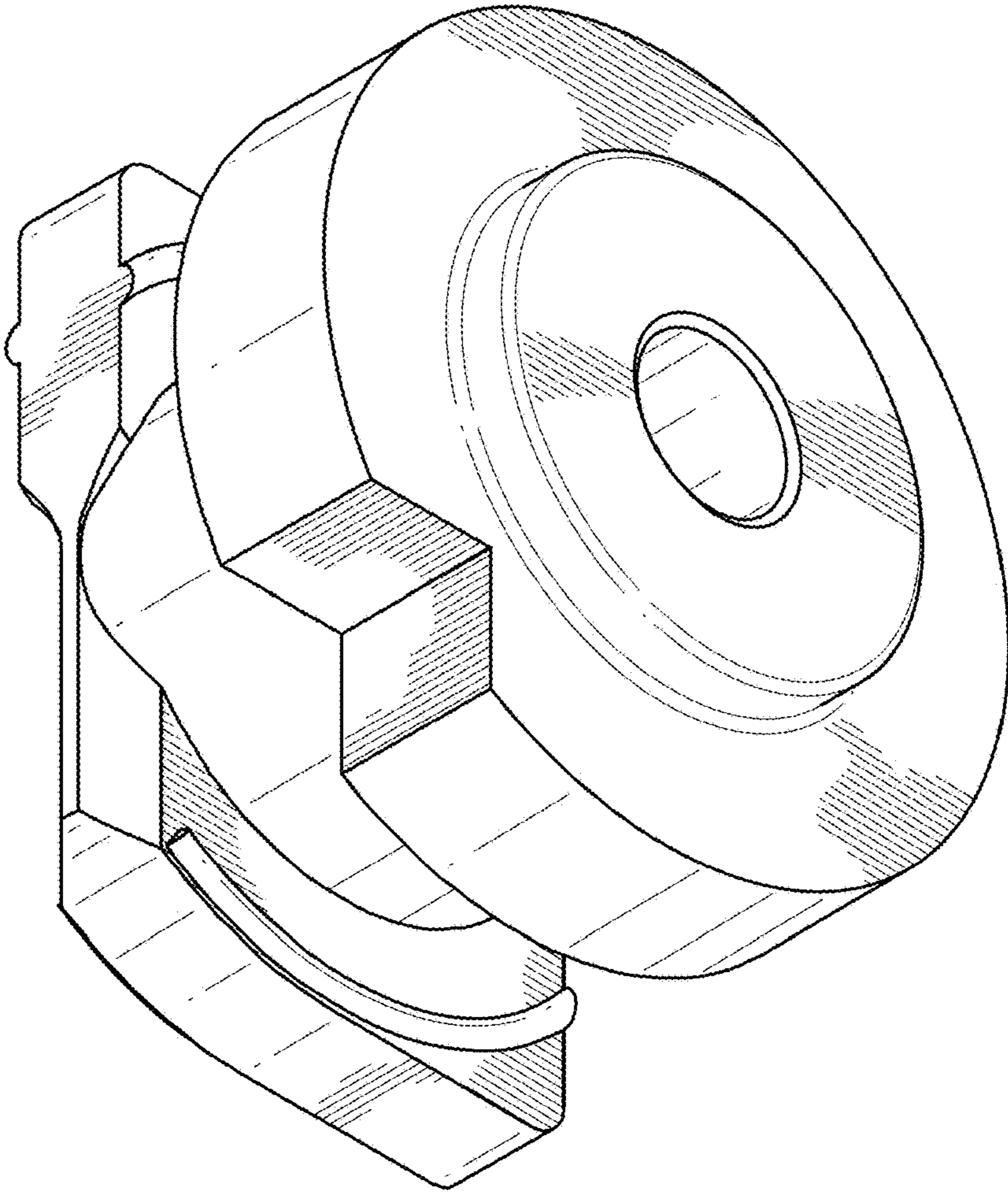


FIG. 2

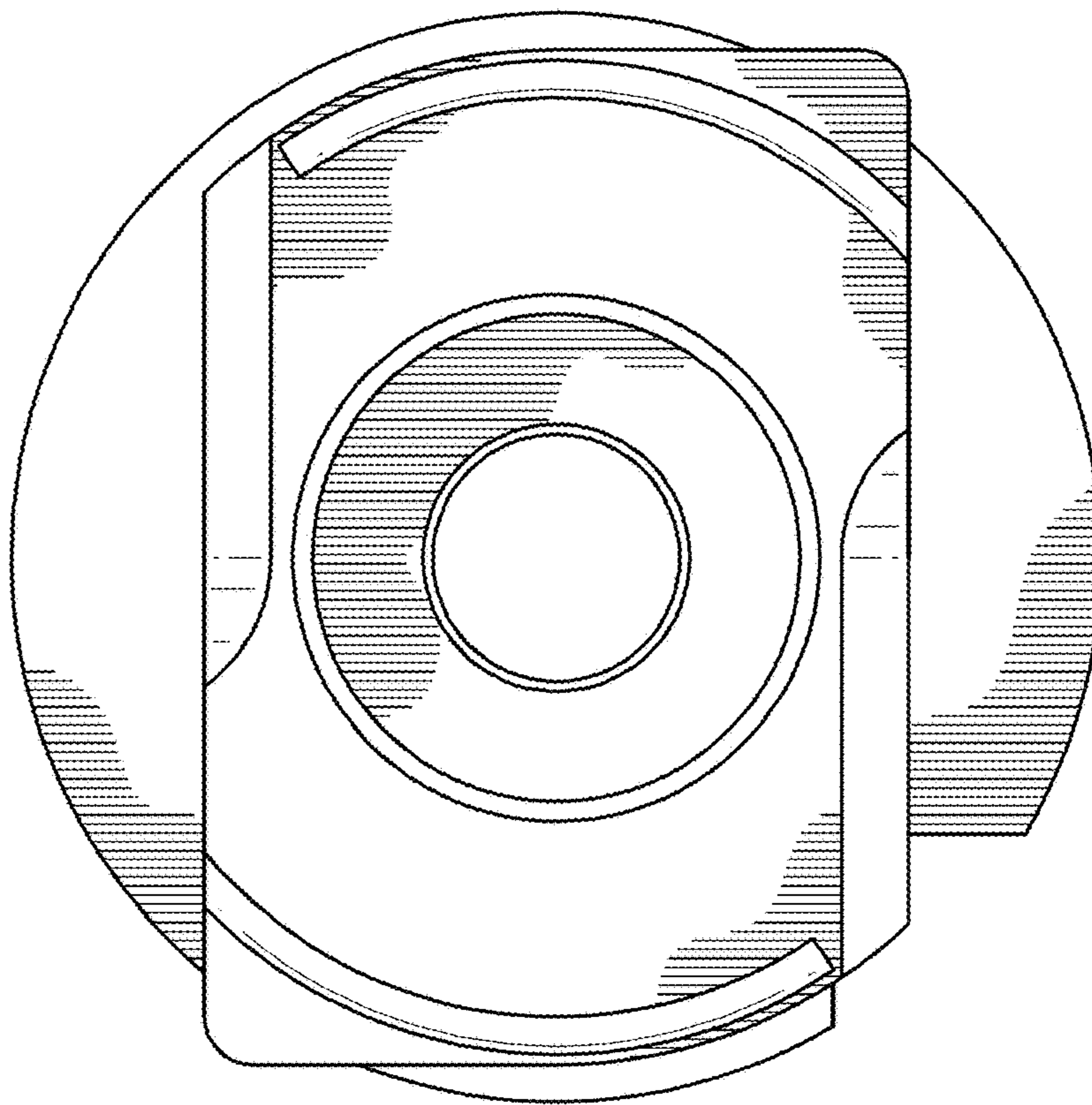


FIG. 3

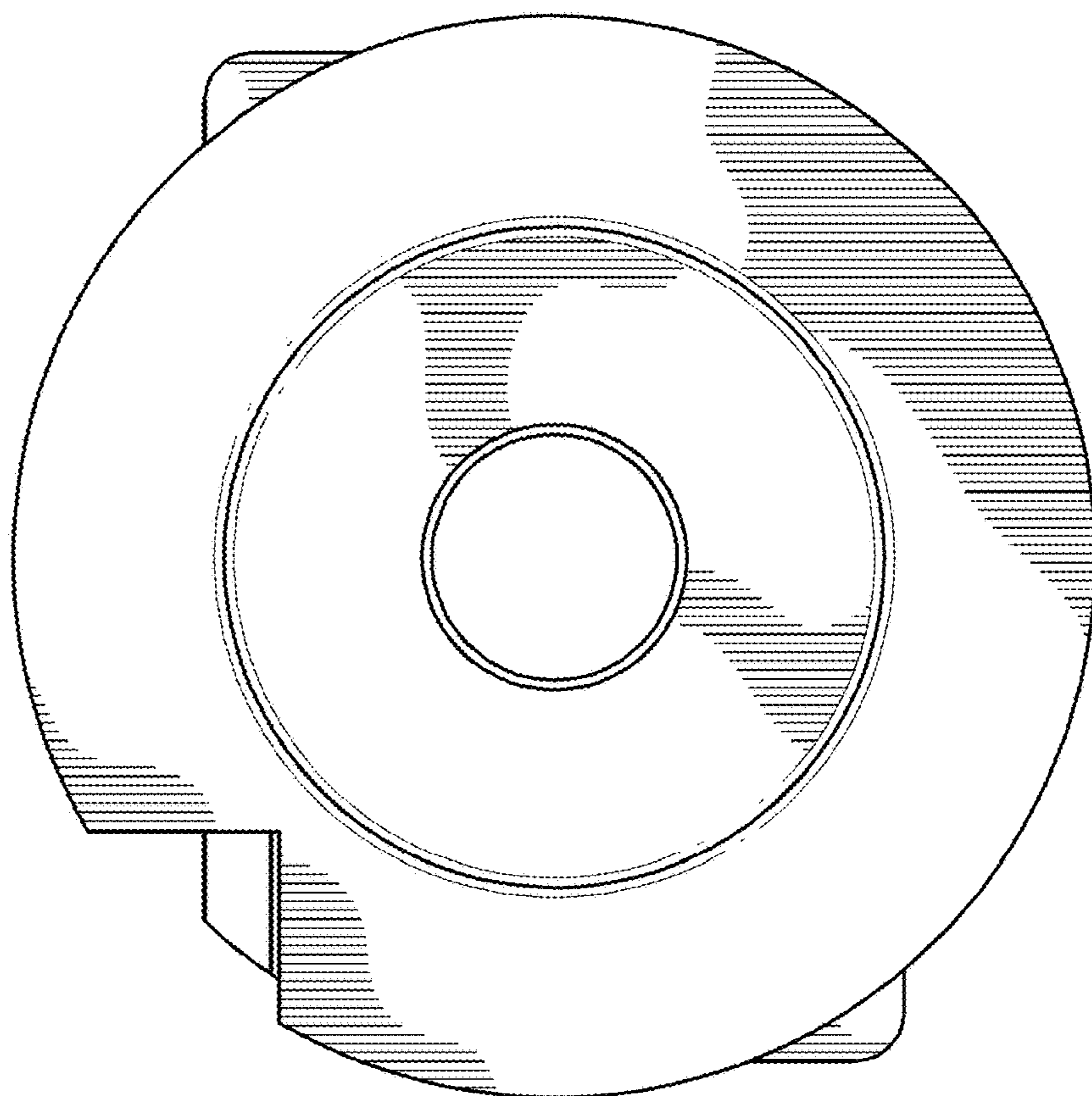


FIG. 4

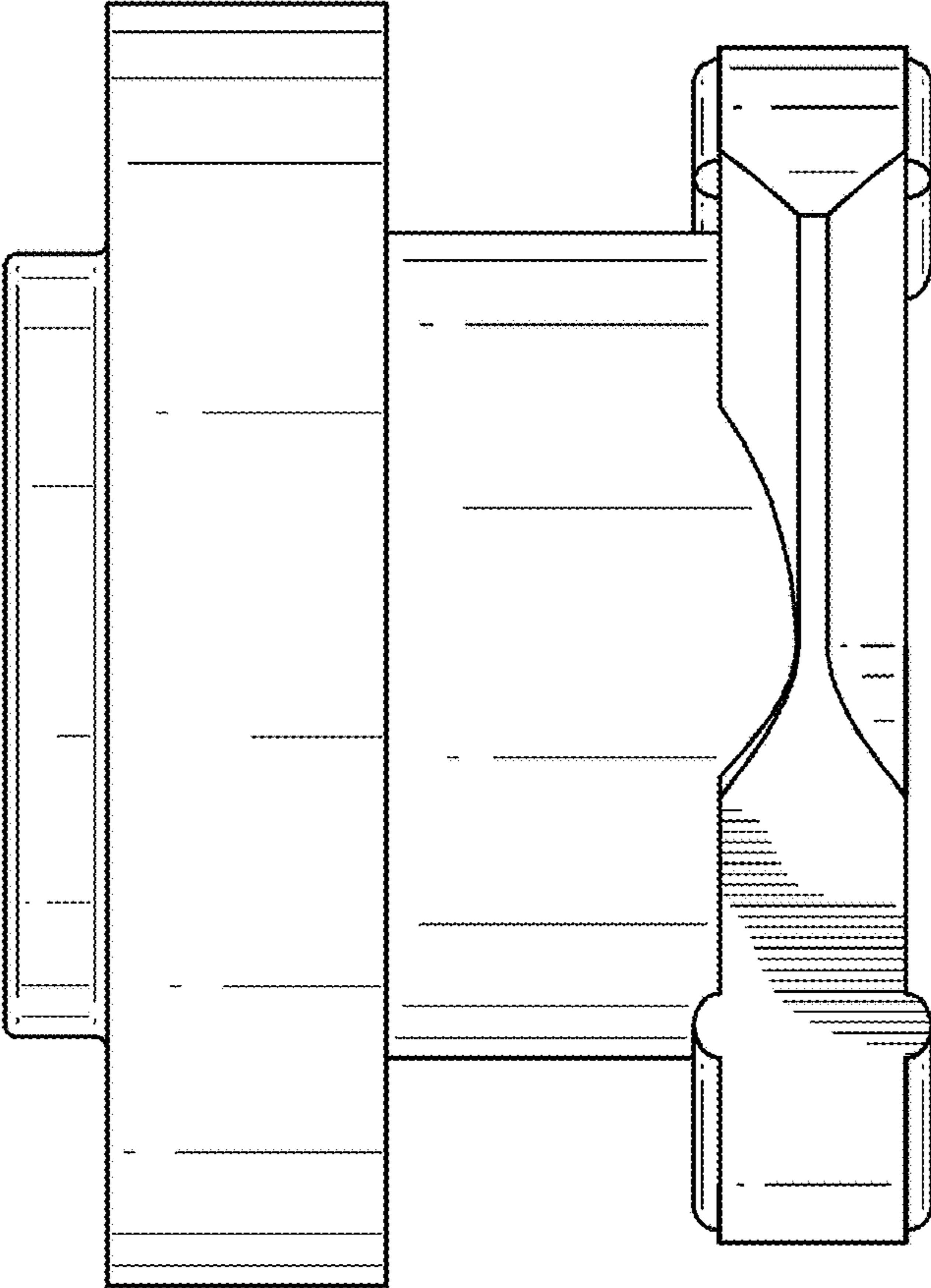


FIG. 5

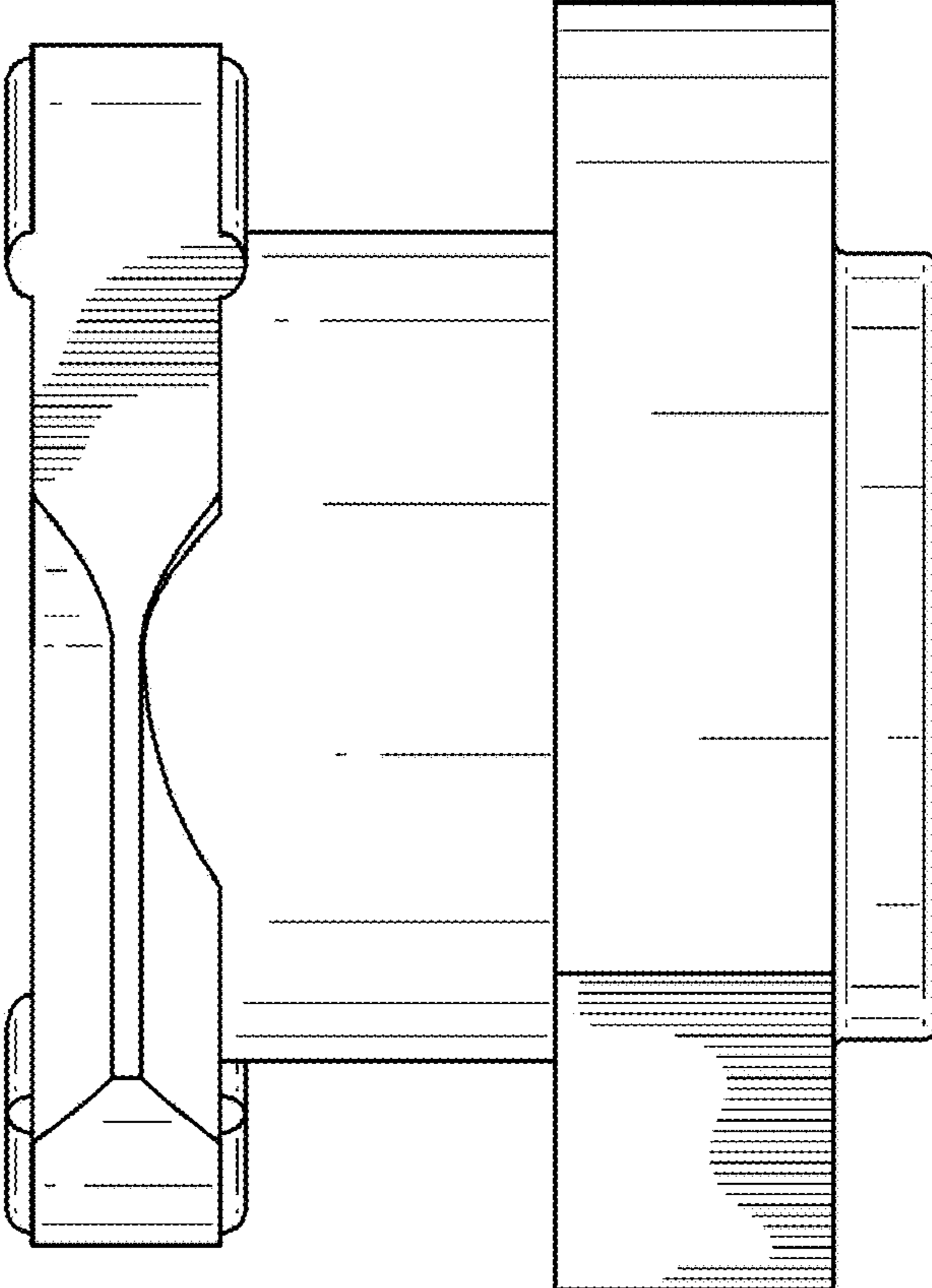


FIG. 6

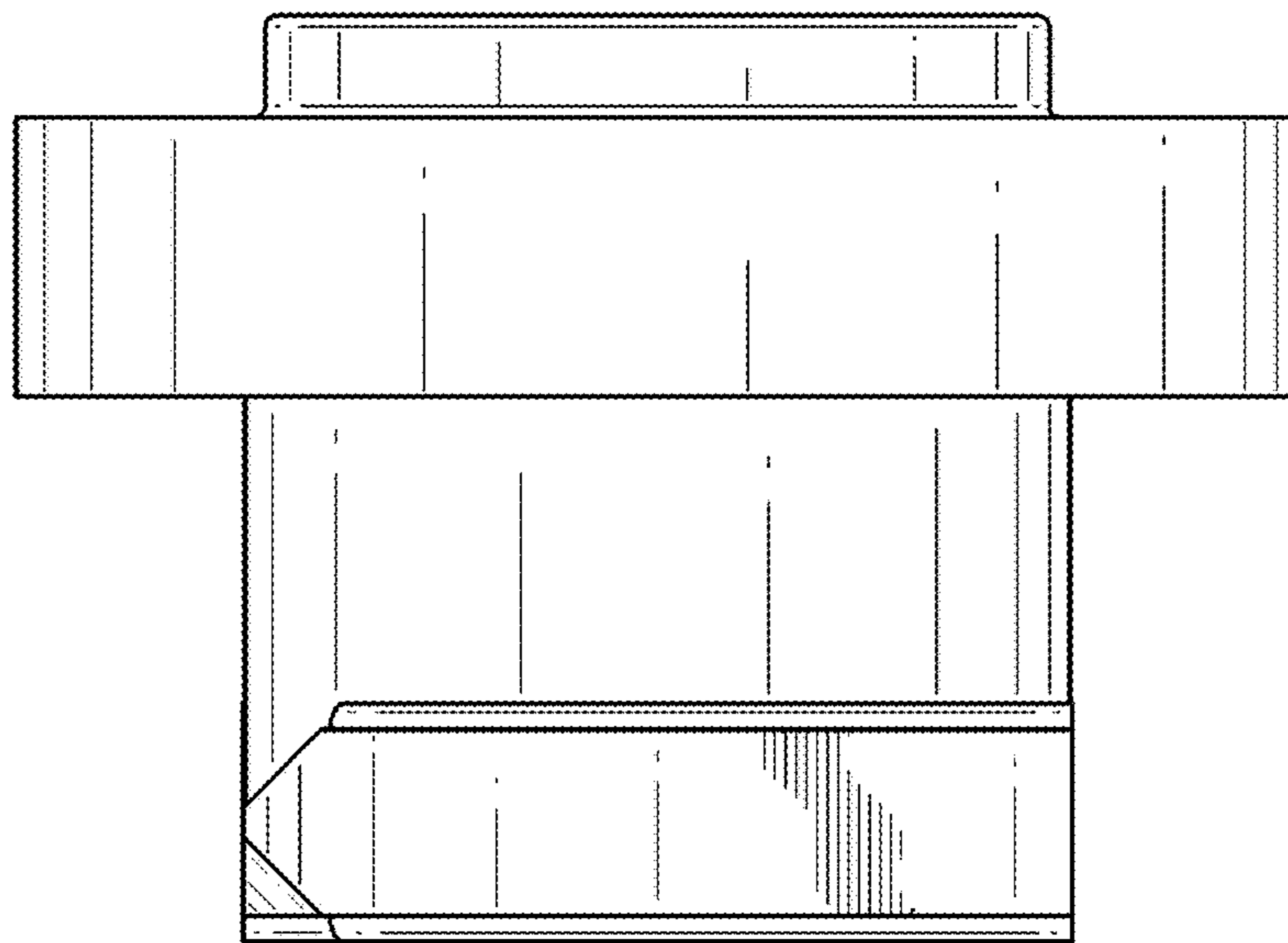


FIG. 7

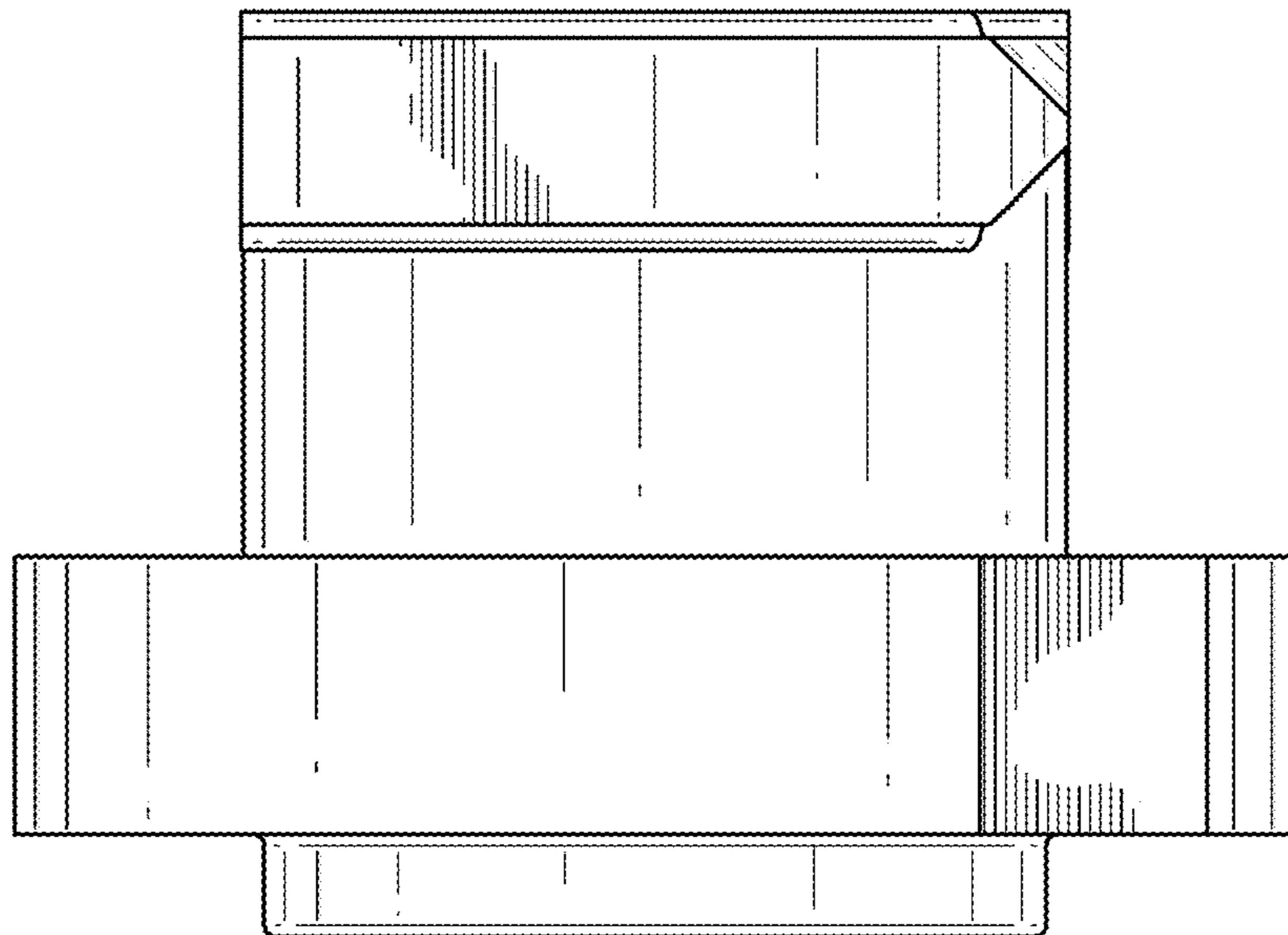


FIG. 8