

US00D859967S

(12) **United States Design Patent** (10) **Patent No.:** **US D859,967 S**
West (45) **Date of Patent:** **** Sep. 17, 2019**

(54) **COUPLING**

(71) Applicant: **SolarCity Corporation**, San Mateo, CA (US)

(72) Inventor: **Jack Raymond West**, San Rafael, CA (US)

(73) Assignee: **SolarCity Corporation**, San Mateo, CA (US)

(**) Term: **15 Years**

(21) Appl. No.: **29/574,949**

(22) Filed: **Aug. 19, 2016**

Related U.S. Application Data

(63) Continuation of application No. 12/830,257, filed on Jul. 2, 2010, now abandoned.

(51) **LOC (12) Cl.** **08-08**

(52) **U.S. Cl.**
USPC **D8/382**

(58) **Field of Classification Search**
USPC D8/14, 71, 382, 349, 354; D14/432, 433
CPC F24J 2/5243; F24J 2/5245; F24J 2/5262;
F24J 2/5239; F24J 2002/5292; H02S
20/30; H02S 20/10; H02S 20/23; H02S
20/24; Y02E 10/47; F16M 13/022; F16M
13/02

See application file for complete search history.

(56) **References Cited**

U.S. PATENT DOCUMENTS

3,180,606 A * 4/1965 Sabin A47B 57/52
24/DIG. 53
D268,565 S 4/1983 Mortus
4,601,378 A 7/1986 Pierce et al.
D298,510 S * 11/1988 Marsh D6/300
5,159,782 A 11/1992 Sales
D382,466 S * 8/1997 Hirose D8/382

D430,483 S * 9/2000 Wah D11/220
D478,496 S 8/2003 Gratiot
D498,136 S 11/2004 Parker
D549,567 S 8/2007 Hamu
D564,344 S * 3/2008 Nakazato D8/382
D612,021 S 3/2010 Schmidt
D639,634 S 6/2011 Arai
D643,841 S 8/2011 Lyford et al.
D679,170 S * 4/2013 Else D8/349
D695,600 S * 12/2013 Fujioka D8/382
D705,044 S 5/2014 Hammac et al.
8,919,052 B2 12/2014 West
9,157,560 B2 10/2015 Rehder et al.
D756,760 S 5/2016 Fay, II

(Continued)

OTHER PUBLICATIONS

U.S. Appl. No. 12/830,257, filed Jul. 2, 2010; West.
(Continued)

Primary Examiner — Sandra S Snapp
Assistant Examiner — Ieisha N Price

(74) *Attorney, Agent, or Firm* — Kilpatrick Townsend & Stockton LLP

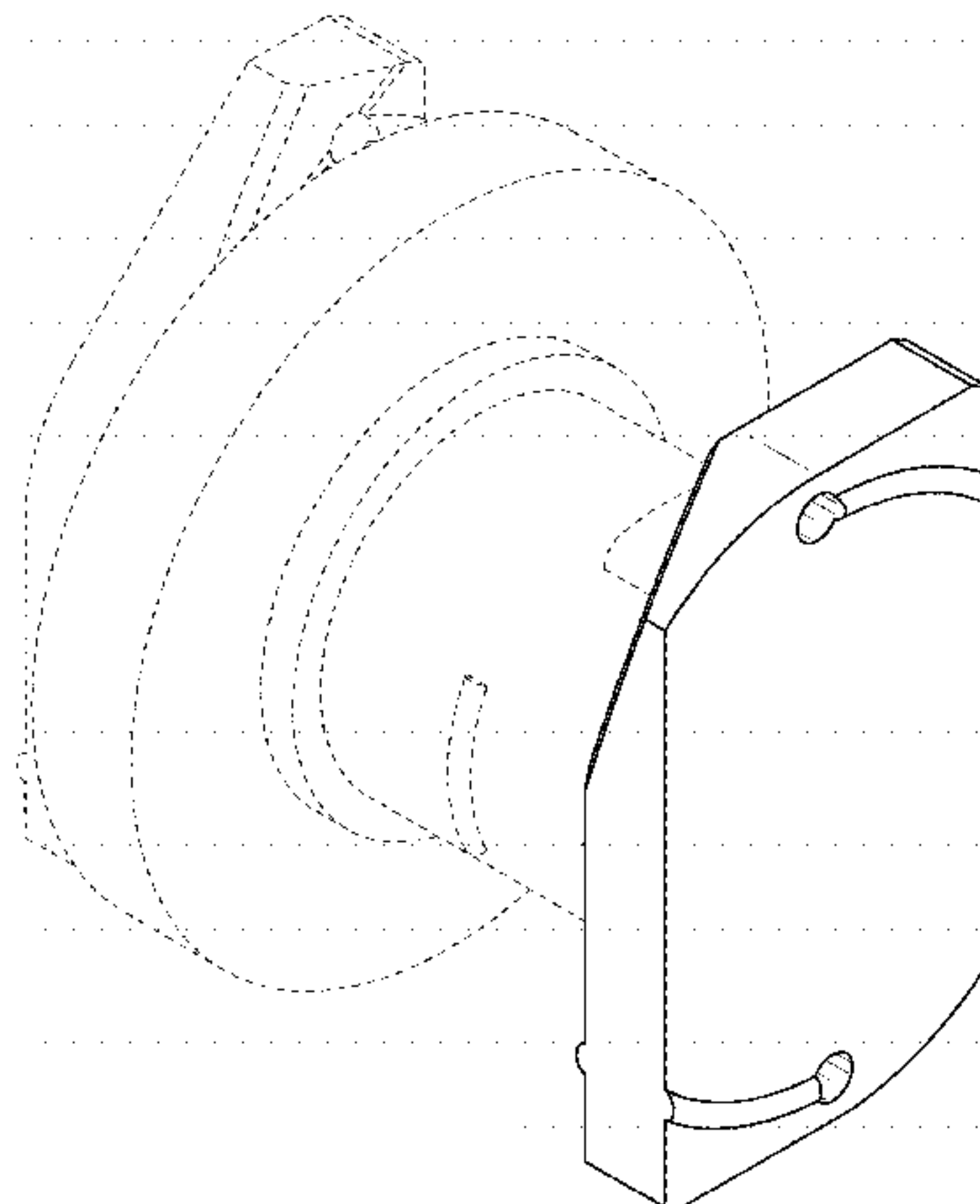
(57) **CLAIM**

The ornamental design for a coupling, as shown and described.

DESCRIPTION

FIG. 1 is a top front perspective view of a coupling showing the claimed design;
FIG. 2 is a front view thereof;
FIG. 3 is a rear view thereof;
FIG. 4 is a left side view thereof;
FIG. 5 is a right side view thereof;
FIG. 6 is a top view thereof; and,
FIG. 7 is a bottom view thereof.
The broken lines in the figures show portions of the coupling that form no part of the claimed design.

1 Claim, 7 Drawing Sheets



(56)

References Cited

U.S. PATENT DOCUMENTS

9,347,691 B2 * 5/2016 West H02S 20/30
 D805,883 S * 12/2017 Evitt D8/382
 9,863,665 B2 * 1/2018 West F24S 25/70
 10,082,242 B1 * 9/2018 Huang F16M 13/022
 2005/0087981 A1 4/2005 Yamada et al.
 2012/0234378 A1 * 9/2012 West H02S 20/23
 136/251
 2013/0336784 A1 12/2013 Sankolli et al.
 2014/0026946 A1 * 1/2014 West H02S 20/00
 136/251
 2014/0175244 A1 6/2014 West et al.
 2015/0033658 A1 * 2/2015 West F24S 25/67
 52/582.2
 2015/0155820 A1 6/2015 West
 2015/0180404 A1 * 6/2015 Braunstein F24S 25/634
 136/251
 2015/0303865 A1 * 10/2015 West H02S 30/10
 136/259
 2016/0056753 A1 * 2/2016 Atchley H02S 20/23
 136/251
 2017/0063007 A1 * 3/2017 Hudson H01R 4/64
 2017/0133977 A1 * 5/2017 Tripp H02S 30/10
 2017/0155355 A1 * 6/2017 Seery H02S 20/24

OTHER PUBLICATIONS

U.S. Appl. No. 13/402,846, filed Feb. 22, 2012; West et al.
 U.S. Appl. No. 14/454,471, filed Aug. 7, 2014; West et al.
 U.S. Appl. No. 14/504,168, filed Oct. 1, 2014; West et al.
 U.S. Appl. No. 14/531,155, filed Nov. 3, 2014; West.
 U.S. Appl. No. 29/525,418, filed Apr. 29, 2015; West.
 U.S. Appl. No. 29/574,951, filed Aug. 19, 2016; West.

* cited by examiner

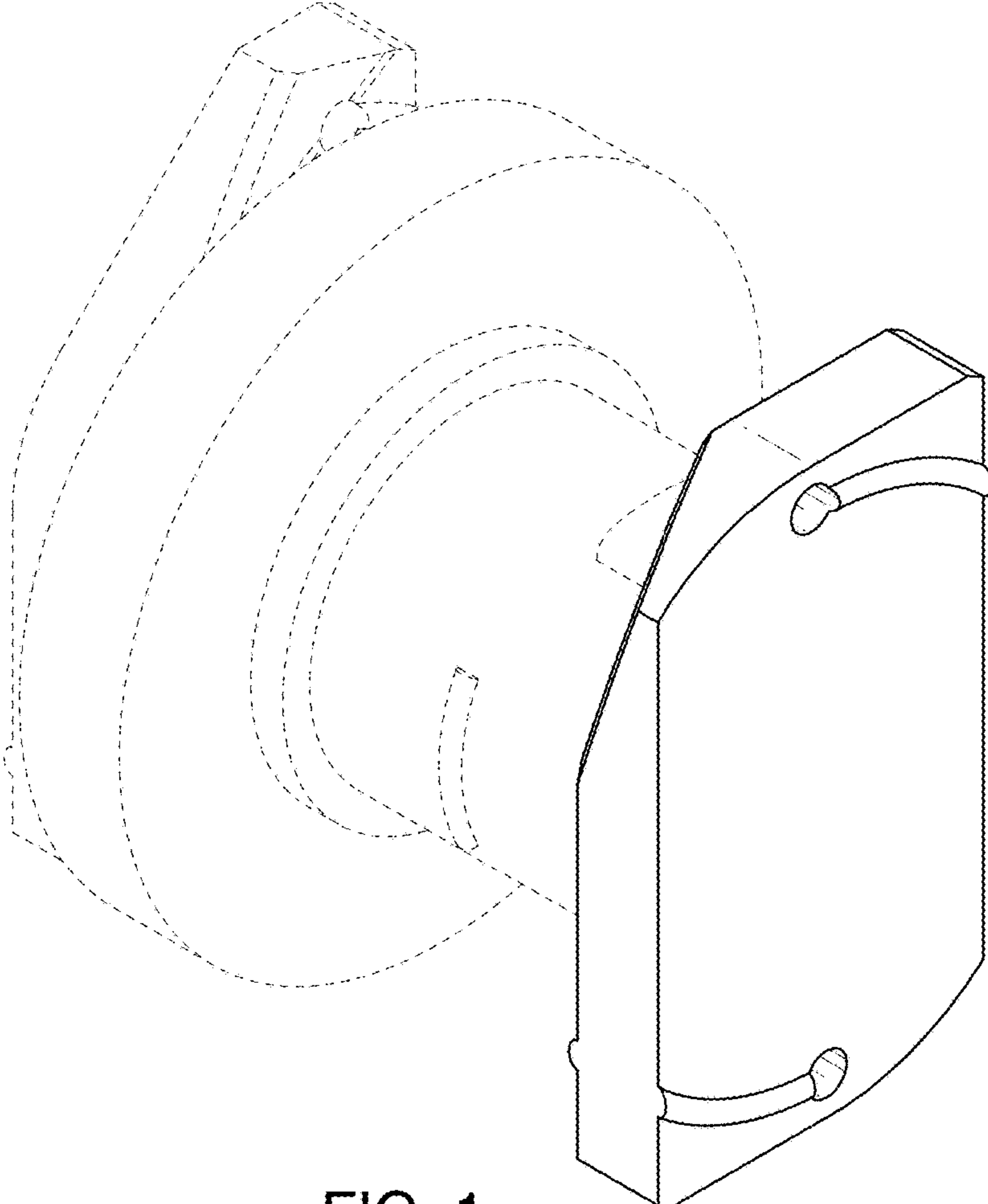


FIG. 1

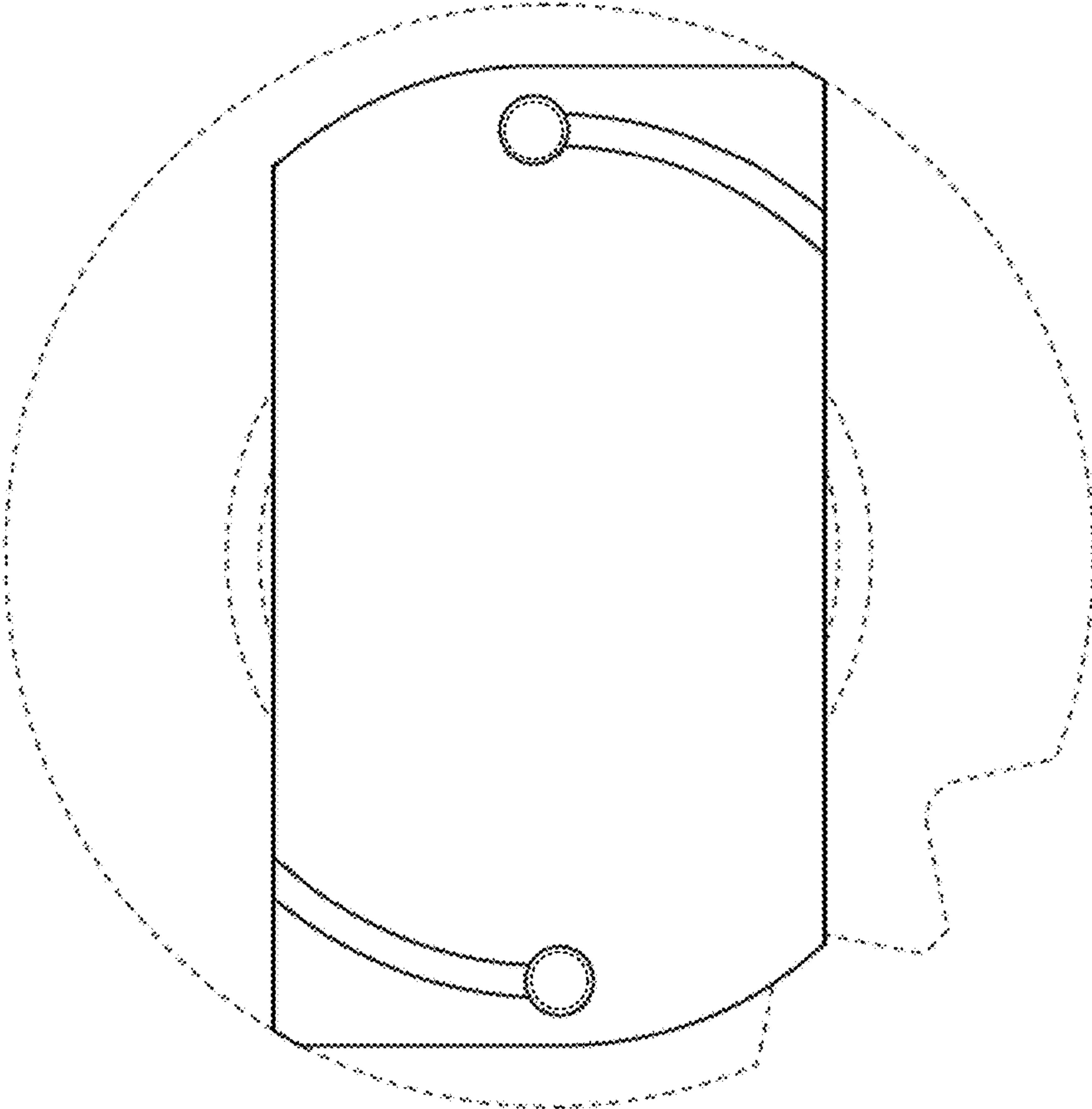


FIG. 2

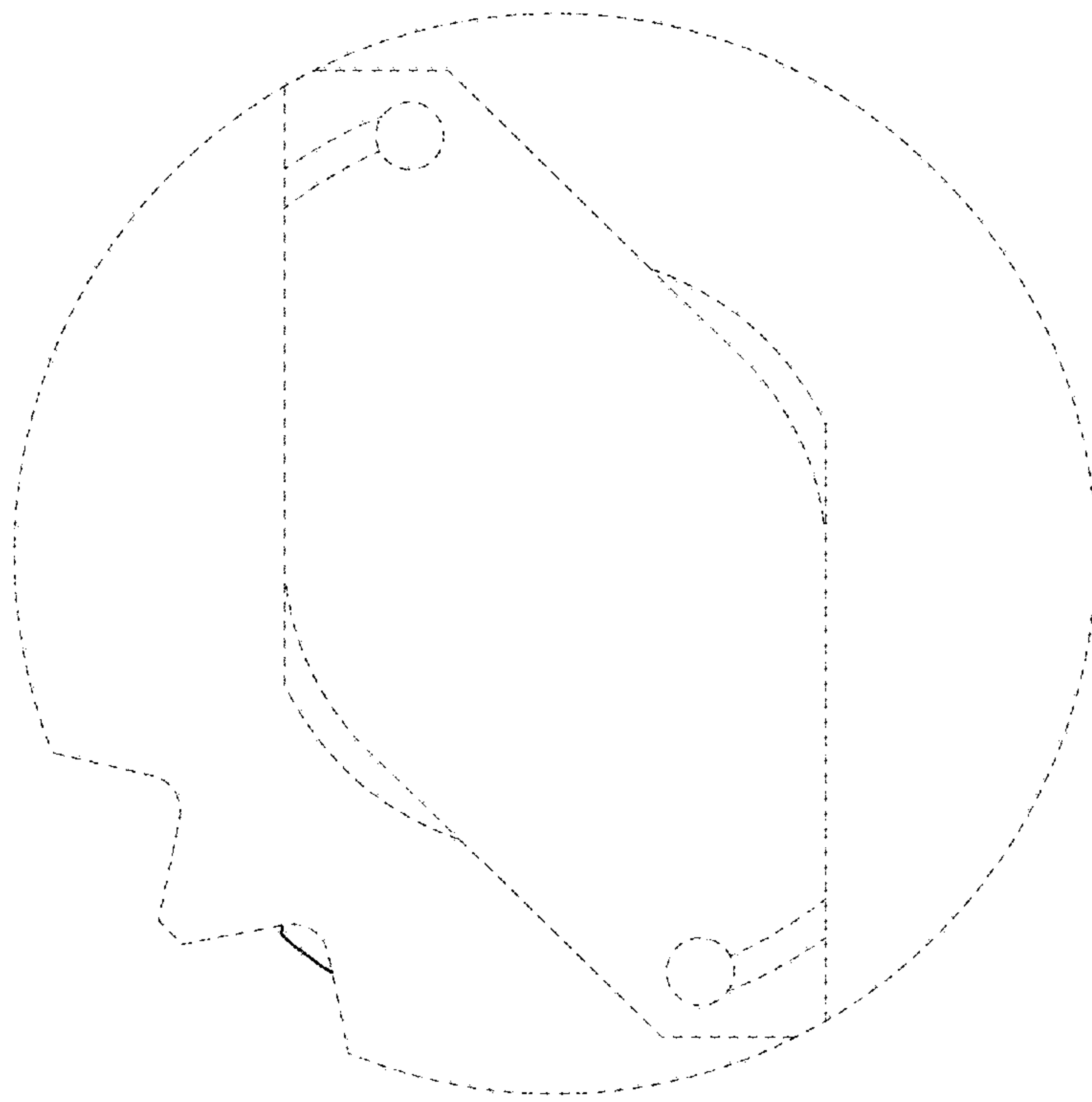


FIG. 3

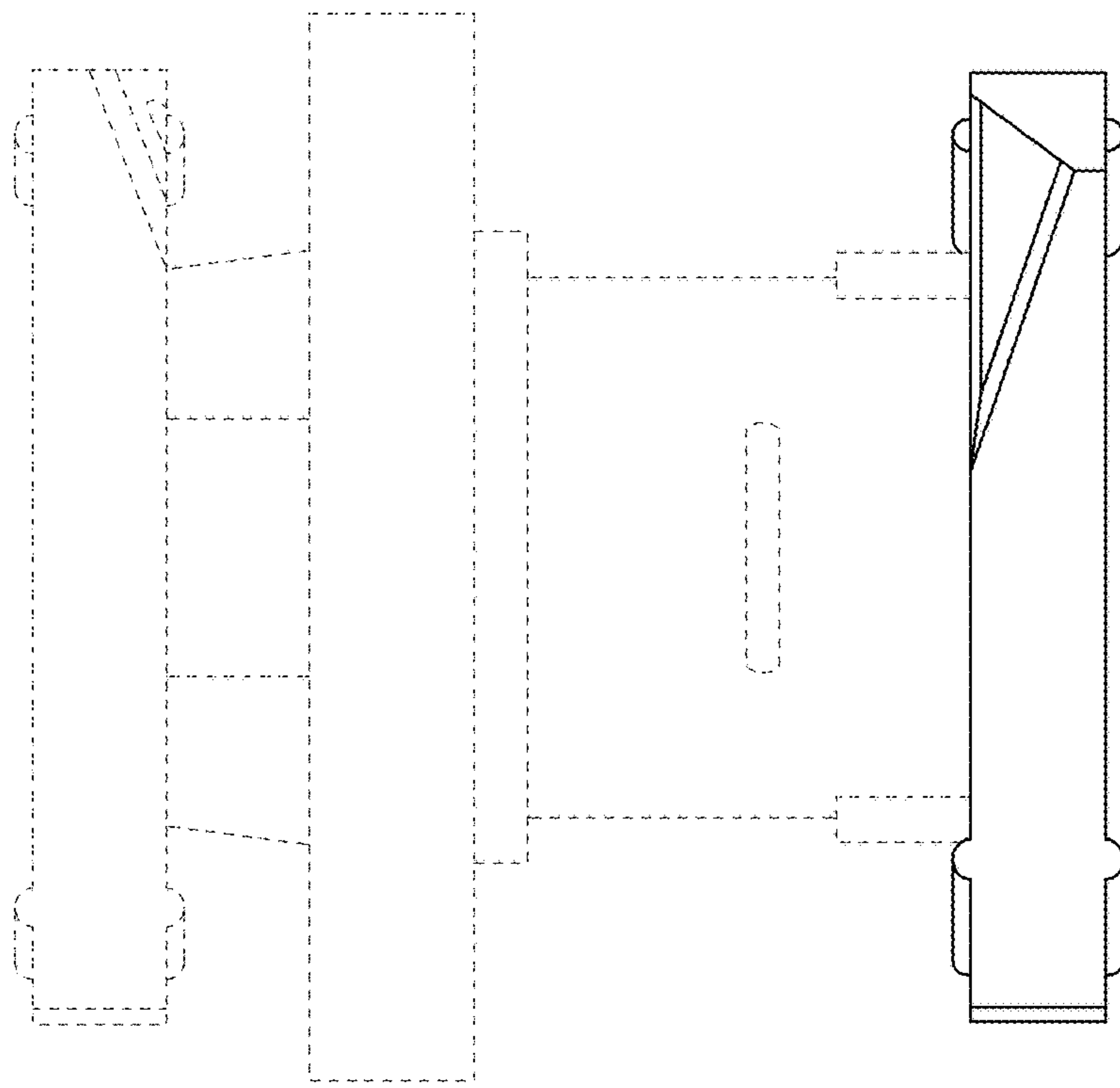


FIG. 4

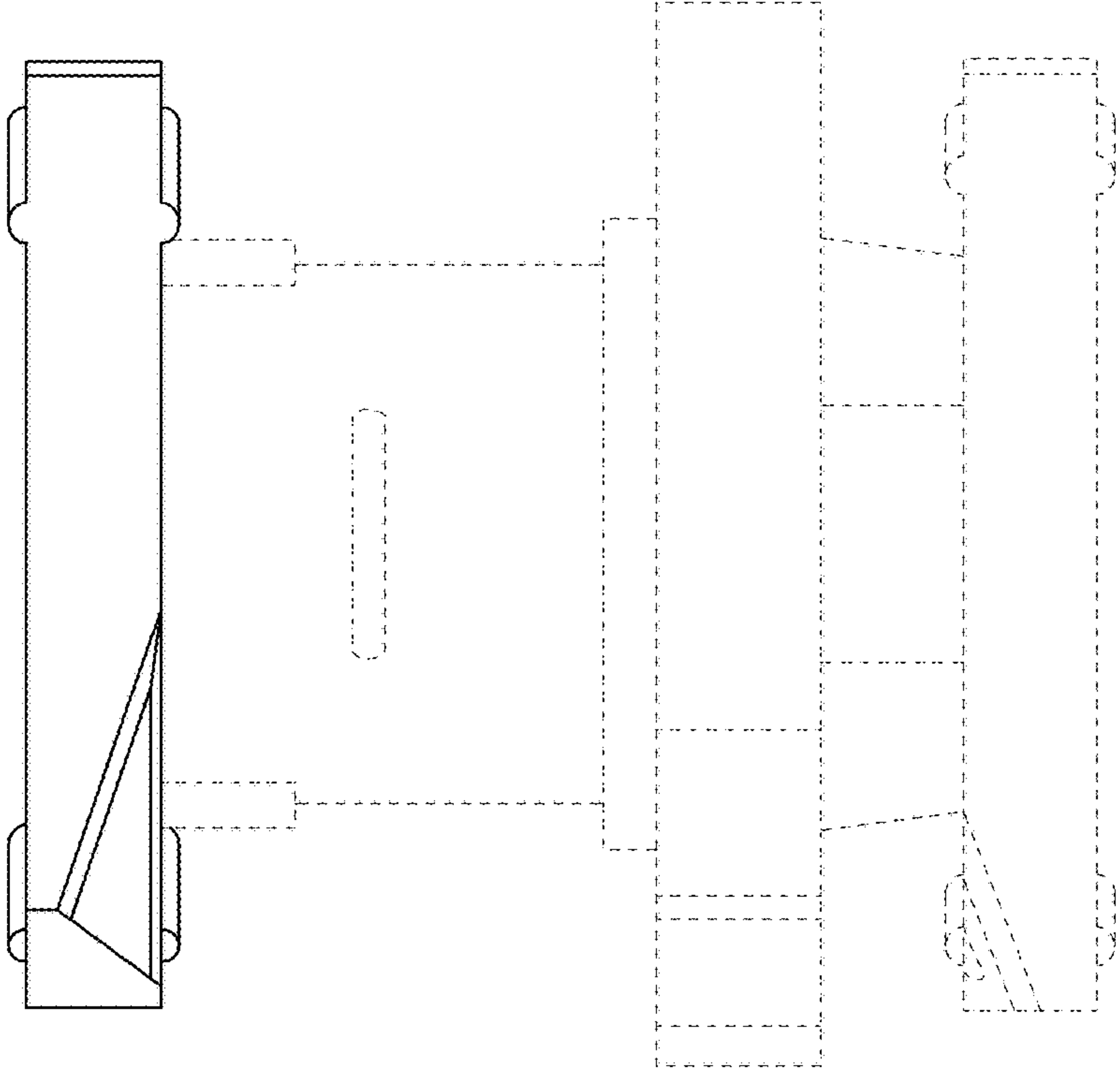


FIG. 5

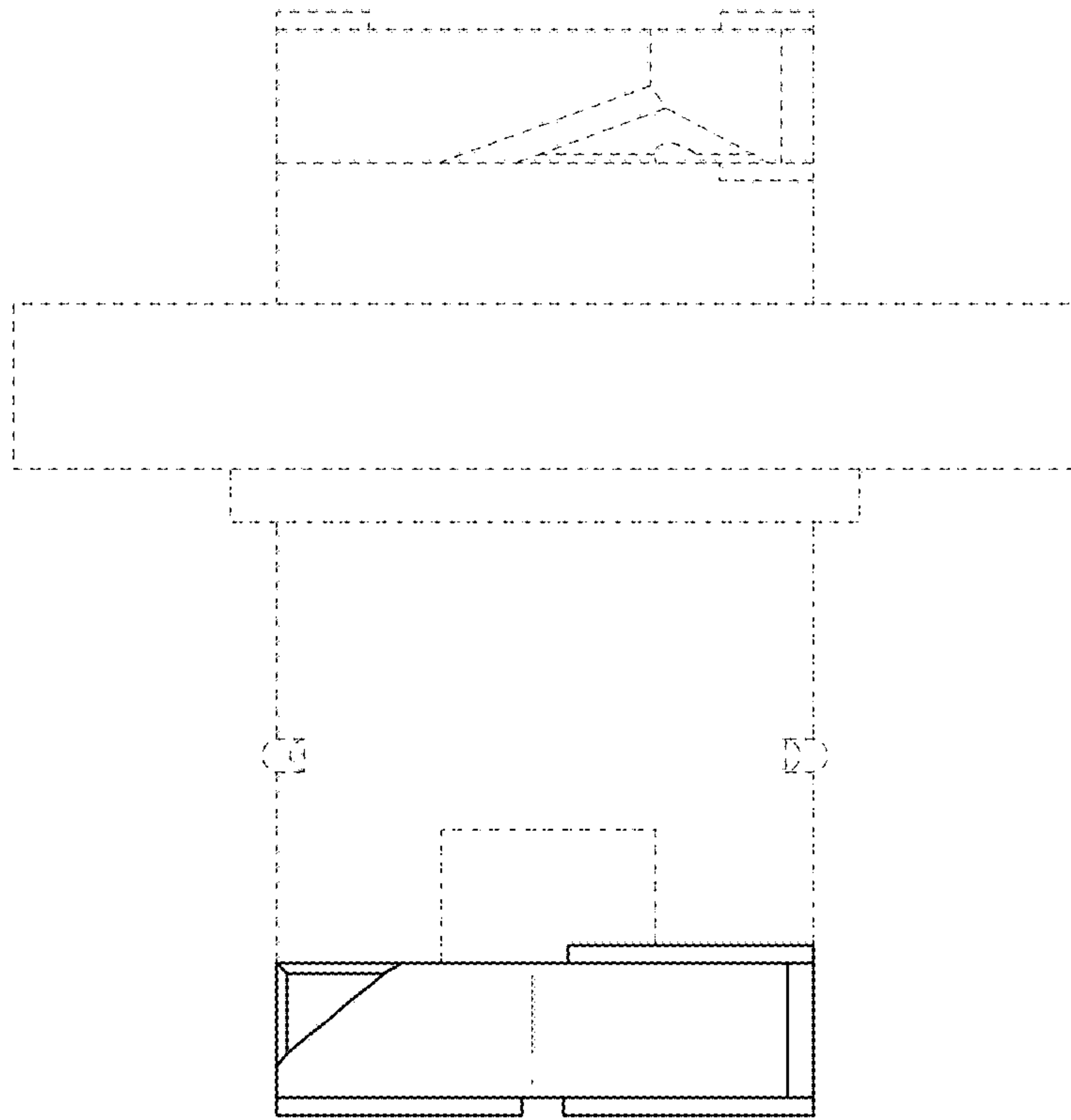


FIG. 6

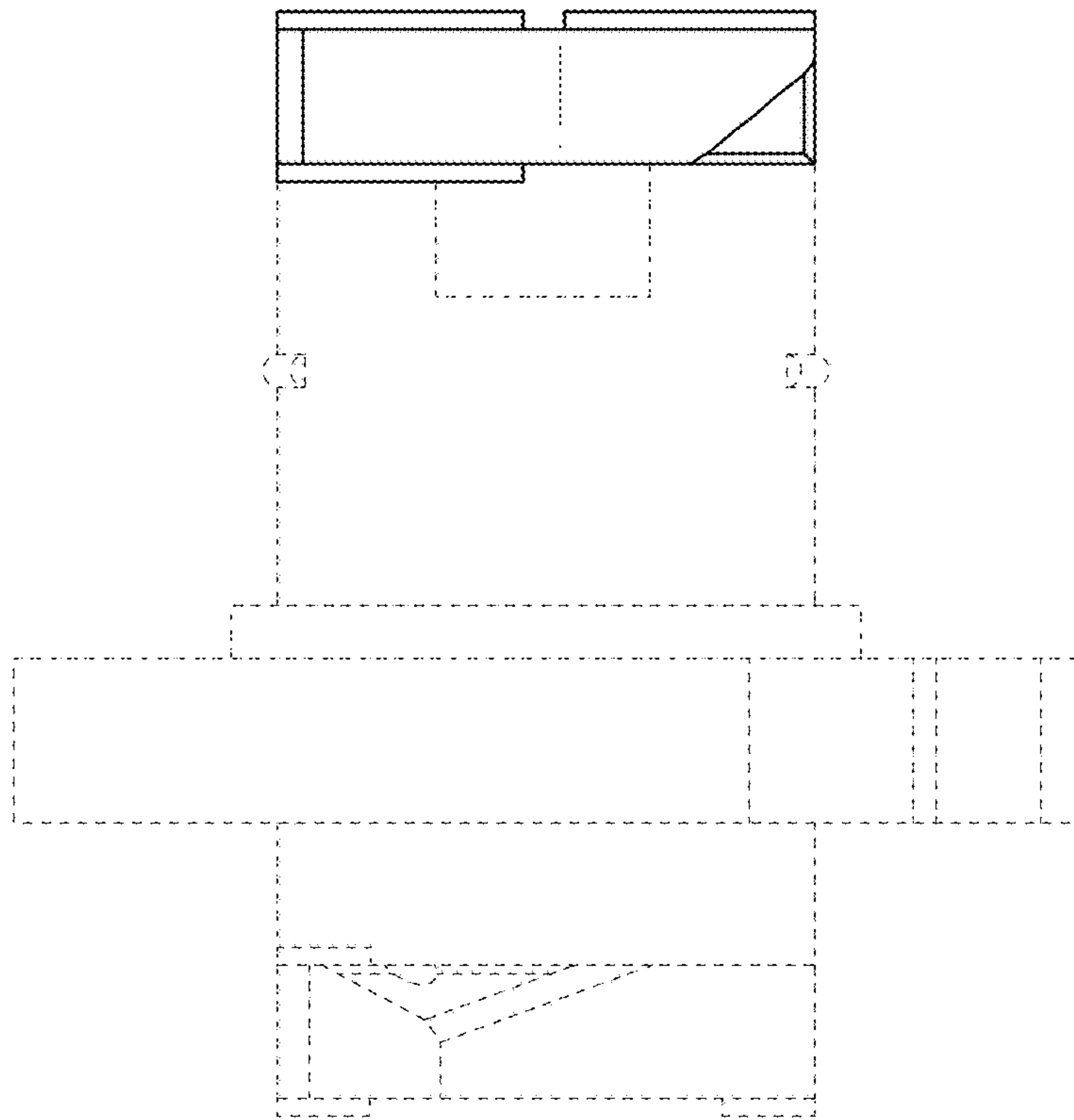


FIG. 7